



US00D893316S

(12) **United States Design Patent**
Tayara

(10) **Patent No.:** **US D893,316 S**

(45) **Date of Patent:** **** Aug. 18, 2020**

(54) **EGG CARTON**

(56)

References Cited

(71) Applicant: **Global Plastics, Inc.**, Perris, CA (US)

U.S. PATENT DOCUMENTS

(72) Inventor: **Tarek Tayara**, Perris, CA (US)

2,285,129 A 6/1942 Schwartzberg

(73) Assignee: **GLOBAL PLASTICS, INC.**, Perris, CA (US)

2,465,295 A 11/1948 Cox

(**) Term: **15 Years**

2,560,847 A 7/1951 Chaplin

(21) Appl. No.: **29/695,325**

2,591,446 A 4/1952 Lennon

(22) Filed: **Jun. 18, 2019**

3,000,528 A 9/1961 Kuhl et al.

Related U.S. Application Data

(60) Division of application No. 29/659,470, filed on Aug. 9, 2018, now Pat. No. Des. 851,502, which is a continuation-in-part of application No. 29/628,548, filed on Dec. 5, 2017, now Pat. No. Des. 853,859, which is a division of application No. 29/586,659, filed on Dec. 6, 2016, now Pat. No. Des. 804,324.

D197,031 S 12/1963 Reifers

(51) **LOC (12) Cl.** **09-03**

D197,093 S 12/1963 Reifers

(52) **U.S. Cl.**

D197,992 S 4/1964 Montclair

USPC **D9/757**; D9/762

3,131,846 A 5/1964 Whiteford

(58) **Field of Classification Search**

USPC D9/762, 757, 737, 761, 420-426, 432, D9/418, 415, 501, 72, 739, 742, 753, 756, D9/741, 721; D7/611, 550.1, 605, 701, D7/553.1, 553.2, 614; D3/313, 304, 311, D3/314, 315; D24/227; 206/139, 206/201-203, 427, 265, 504, 518, 519, 206/524.1, 557, 561, 564, 565, 703, 705, 206/523, 586, 515, 521.1, 521.15, 521.3, 206/521.6, 521.8, 521.4, 521.9, 406, 704; 220/4.26, 508; 209/406; D11/143, 155, D11/156

3,144,972 A 8/1964 Hartmann et al.

CPC B65D 5/5495; B65D 85/1072; B65D 5/5253; B65D 85/1063; B65D 5/0085; B65D 21/0204; B65D 5/427; B65D 21/0201; B65D 5/009; B65D 77/006; B65D 85/324; B65D 85/32; B65D 71/70; B65D 85/322; B65D 25/04

3,257,062 A 6/1966 Whiteford

See application file for complete search history.

3,362,605 A 1/1968 Bixler

3,421,682 A 1/1969 Eisenbach

3,458,108 A 7/1969 Howarth et al.

3,471,078 A 10/1969 Seest et al.

D221,134 S 7/1971 Bessett

3,603,499 A 9/1971 Snow

3,645,436 A 2/1972 Boyd et al.

3,661,317 A 5/1972 Noguchi

3,664,574 A 5/1972 Pearl et al.

3,672,693 A 6/1972 Weir

3,771,712 A 11/1973 Richards

3,779,370 A 12/1973 Snow et al.

3,813,027 A 5/1974 Misdorn, Jr. et al.

3,908,891 A 9/1975 Jackson

4,025,038 A 5/1977 Reifers et al.

4,057,188 A 11/1977 Steinhardt

4,059,219 A 11/1977 Reifers et al.

4,161,382 A 7/1979 Padovani

4,205,777 A 6/1980 Brown et al.

D266,225 S 9/1982 Villotte

4,352,427 A 10/1982 Lake

D273,844 S 5/1984 Bixler et al.

4,448,344 A 5/1984 Lord et al.

D274,790 S 7/1984 Bixler et al.

4,492,331 A 1/1985 Bixler et al.

D284,226 S 6/1986 Sussman

4,609,141 A 9/1986 Lake

4,625,905 A 12/1986 Mangla

4,657,173 A 4/1987 Lake

D291,533 S 8/1987 Mangla

4,742,953 A 5/1988 Jacobs et al.

4,795,080 A 1/1989 McIntyre

D305,405 S 1/1990 Wilkinson

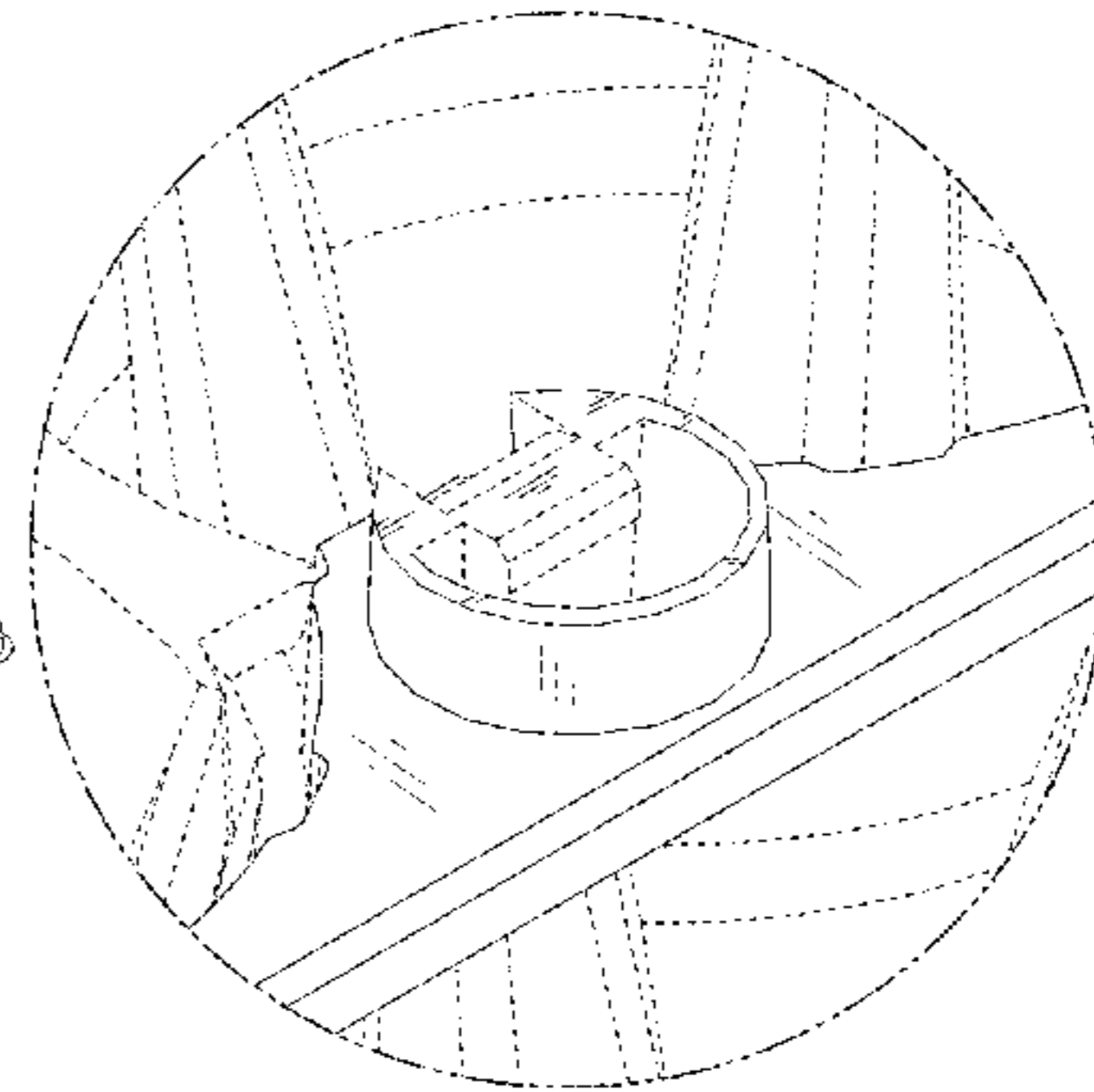
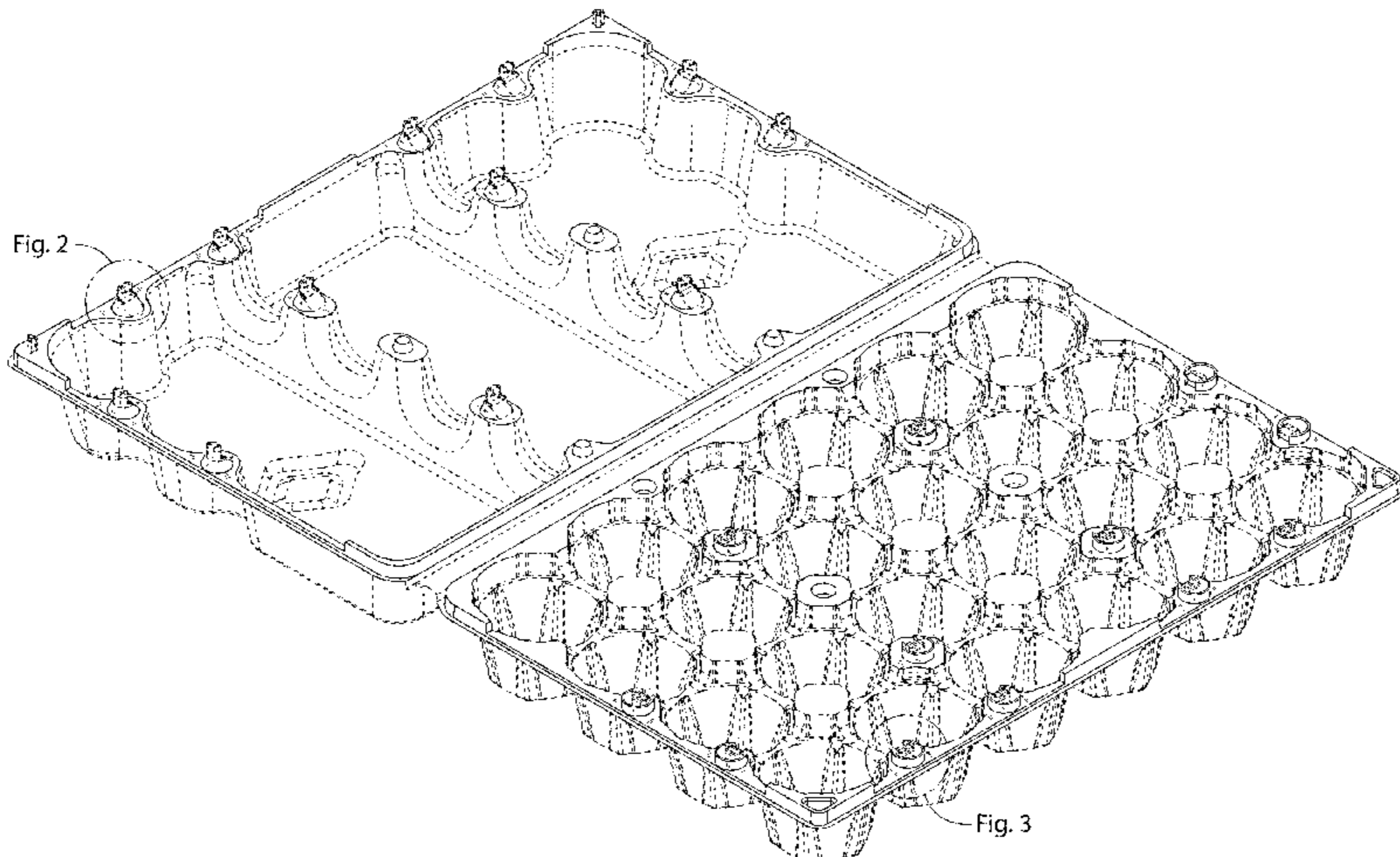
D306,138 S 2/1990 Congleton et al.

5,102,034 A 4/1992 Amabili

D359,901 S 7/1995 Knoss et al.

5,927,501 A 7/1999 Herbruck

6,012,583 A 1/2000 Ramirez



| | | | |
|-----------------|---------|--------------------|--------|
| D428,332 S | 7/2000 | Knutson | |
| D466,802 S | 12/2002 | Davkovski | |
| D514,452 S | 2/2006 | Enriquez | |
| D520,377 S | 5/2006 | Beese et al. | |
| 7,255,231 B2 | 8/2007 | Andrews et al. | |
| 7,353,951 B2 | 4/2008 | Vovan | |
| D592,076 S | 5/2009 | Sipe et al. | |
| D592,077 S | 5/2009 | Sipe et al. | |
| 7,686,181 B2 | 3/2010 | St-Onge | |
| D616,267 S | 5/2010 | Kulzer | |
| D616,270 S | 5/2010 | Kulzer | |
| D616,714 S | 6/2010 | Kulzer | |
| D619,860 S | 7/2010 | Kulzer | |
| 7,766,169 B2 | 8/2010 | St-Onge | |
| D626,014 S | 10/2010 | Fosse et al. | |
| D632,974 S | 2/2011 | Dijkstra et al. | |
| D632,975 S | 2/2011 | Dijkstra et al. | |
| D632,976 S | 2/2011 | Dijkstra et al. | |
| D632,977 S | 2/2011 | Dijkstra et al. | |
| D656,843 S | 4/2012 | Schleining | |
| D661,601 S | 6/2012 | Sanfilippo | |
| D689,376 S | 9/2013 | Von der Ahe | |
| D692,296 S | 10/2013 | Cooper | |
| 8,695,803 B2 | 4/2014 | Blanchette et al. | |
| 8,844,721 B2 | 9/2014 | Archambault et al. | |
| 8,863,955 B2 | 10/2014 | St-Onge | |
| D735,585 S | 8/2015 | Tayara | |
| D739,265 S | 9/2015 | Buckley et al. | |
| D739,767 S | 9/2015 | Schleining | |
| 9,169,058 B1 | 10/2015 | Ramirez et al. | |
| D750,485 S | 3/2016 | Lavoie | |
| 9,340,343 B2 | 5/2016 | Ramirez et al. | |
| 9,340,349 B2 | 5/2016 | Ramirez et al. | |
| 9,340,350 B2 | 5/2016 | Kuruvilla et al. | |
| D758,916 S | 6/2016 | Davis | |
| D761,127 S | 7/2016 | Sellari et al. | |
| 9,382,056 B1 | 7/2016 | Hanna | |
| D766,663 S | 9/2016 | Bergeron et al. | |
| D778,176 S | 2/2017 | Long | |
| 9,617,060 B1 | 4/2017 | Hanna | |
| D791,616 S | 7/2017 | Muhlemann | |
| D792,277 S | 7/2017 | Davis | |
| D795,084 S | 8/2017 | Schleining | |
| D802,444 S | 11/2017 | Schleining | |
| D804,324 S | 12/2017 | Tayara | |
| D804,965 S | 12/2017 | Schleining | |
| D834,952 S | 12/2018 | Kuruvilla et al. | |
| D851,502 S * | 6/2019 | Tayara | D9/762 |
| D853,859 S * | 7/2019 | Tayara | D9/757 |
| D871,926 S * | 1/2020 | Tayara | D9/757 |
| 2005/0178689 A1 | 8/2005 | Aardema et al. | |
| 2006/0060493 A1 | 3/2006 | Marshall | |
| 2007/0138177 A1 | 6/2007 | Vovan | |
| 2007/0151892 A1 | 7/2007 | St-Onge | |
| 2007/0256954 A1 | 11/2007 | Vovan | |
| 2008/0283437 A1 | 11/2008 | St-Onge | |
| 2010/0187150 A1 | 7/2010 | Dijkstra et al. | |
| 2011/0132791 A1 | 6/2011 | Dijkstra et al. | |
| 2011/0233100 A1 | 9/2011 | Attard | |
| 2013/0020224 A1 | 1/2013 | Ramirez et al. | |
| 2013/0048527 A1 | 2/2013 | Ramirez et al. | |
| 2013/0048528 A1 | 2/2013 | Ramirez et al. | |
| 2013/0126384 A1 | 5/2013 | Ogg | |
| 2013/0183412 A1 | 7/2013 | Ramirez et al. | |
| 2013/0264243 A1 | 10/2013 | Aardema et al. | |
| 2016/0046432 A1 | 2/2016 | Kuruvilla et al. | |
| 2016/0257485 A1 | 9/2016 | Ramirez et al. | |
| 2018/0273284 A1 | 9/2018 | Bergeron et al. | |

FOREIGN PATENT DOCUMENTS

| | | |
|----|------------|---------|
| EP | 119043 | 9/1984 |
| JP | 4729091 | 7/2011 |
| JP | 2016204029 | 12/2016 |
| WO | 2012010992 | 1/2012 |

* cited by examiner

Primary Examiner — W. A. Teddy Falloway

(74) Attorney, Agent, or Firm — Cislo & Thomas, LLP

(57) CLAIM

The ornamental design for an egg carton, as shown and described.

DESCRIPTION

FIG. 1 is a perspective top view of my egg carton in an open configuration;
 FIG. 2 is a close-up of the portion indicated as FIG. 2 in FIG. 1, which is a top view of one of the lock components which is the same appearance for each lock component;
 FIG. 3 is a close-up of the portion indicated as FIG. 3 in FIG. 1, which is a top view of one of the lock receiving components, which is the same for each lock receiving component;
 FIG. 4 is a perspective bottom view of the embodiment shown in FIG. 1;
 FIG. 5 is a close-up of the portion indicated as FIG. 5 in FIG. 4, which is a bottom perspective view of one of the lock components, which is the same for each lock component;
 FIG. 6 is a top view of the embodiment shown in FIG. 1;
 FIG. 7 is a close-up of the portion indicated as FIG. 7 in FIG. 6, which is a top view of one of the cups, which is the same for each cup;
 FIG. 8 is a close-up of the portion indicated as FIG. 8 in FIG. 6, which is a top view of one of the lock components, which is the same for each lock component;
 FIG. 9 is a close-up of the portion indicated as FIG. 9 in FIG. 6, which is a top view of one of the lock receiving components, which is the same for each lock receiving component;
 FIG. 10 is a bottom view of the embodiment shown in FIG. 1;
 FIG. 11 is a front elevation view thereof;
 FIG. 12 is a close-up of the portion indicated as FIG. 12 in FIG. 11, which is a front elevation view of one of the lock components, which is the same for each lock component;
 FIG. 13 is a back elevation view of the embodiment shown in FIG. 1;
 FIG. 14 is a close up of the portion indicated as FIG. 14 in FIG. 13, which is a back elevation view of one of the lock components, which is the same for each lock component;
 FIG. 15 is a first side elevation view of the embodiment shown in FIG. 1;
 FIG. 16 is a close-up of the portion indicated as FIG. 16 in FIG. 15, which is a side elevation view of one of the lock components, which is the same for each lock component;
 FIG. 17 is a second side elevation view of the embodiment shown in FIG. 1;
 FIG. 18 is a top view thereof in a closed configuration;
 FIG. 19 is a close-up of the portion indicated as FIG. 19 in FIG. 18 showing a top perspective view of one lock component interlocked with one lock receiving component, which is the same for each interlocking connection;
 FIG. 20 is a bottom view of the embodiment shown in FIG. 18;
 FIG. 21 is a close-up of the portion indicated as FIG. 21 in FIG. 20 showing a bottom view of one lock component interlocked with one lock receiving component, which is the same for each interlocking connection;
 FIG. 22 is a top perspective view of the embodiment shown in FIG. 18;
 FIG. 23 is a close up of the portion indicated as FIG. 23 in FIG. 22 showing a top view of one lock component inter-

locked with one lock receiving component, which is the same for each interlocking connection;

FIG. 24 is a bottom perspective view of the embodiment shown in FIG. 18;

FIG. 25 is a close-up of the portion indicated as FIG. 25 in FIG. 24 showing a bottom perspective view of one of the interlocking connections, which is the same for each interlocking connection;

FIG. 26 is a front elevation view thereof;

FIG. 27 is a back elevation view thereof;

FIG. 28 is a first side elevation view thereof; and,

FIG. 29 is a second side elevation view thereof.

The broken lines shown in the drawings illustrate portions of the egg carton that form no part of the claimed design.

1 Claim, 29 Drawing Sheets

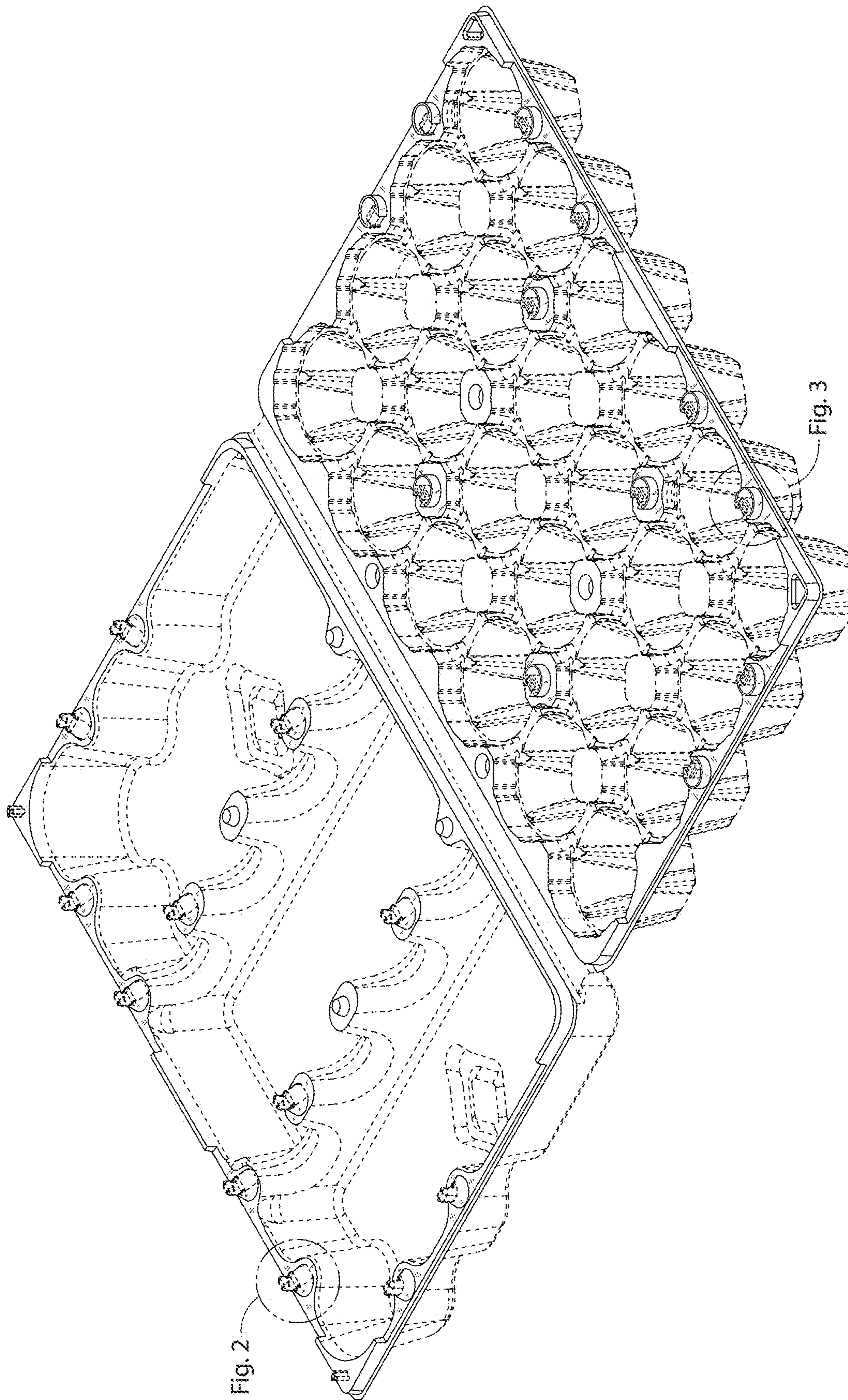


Fig. 1

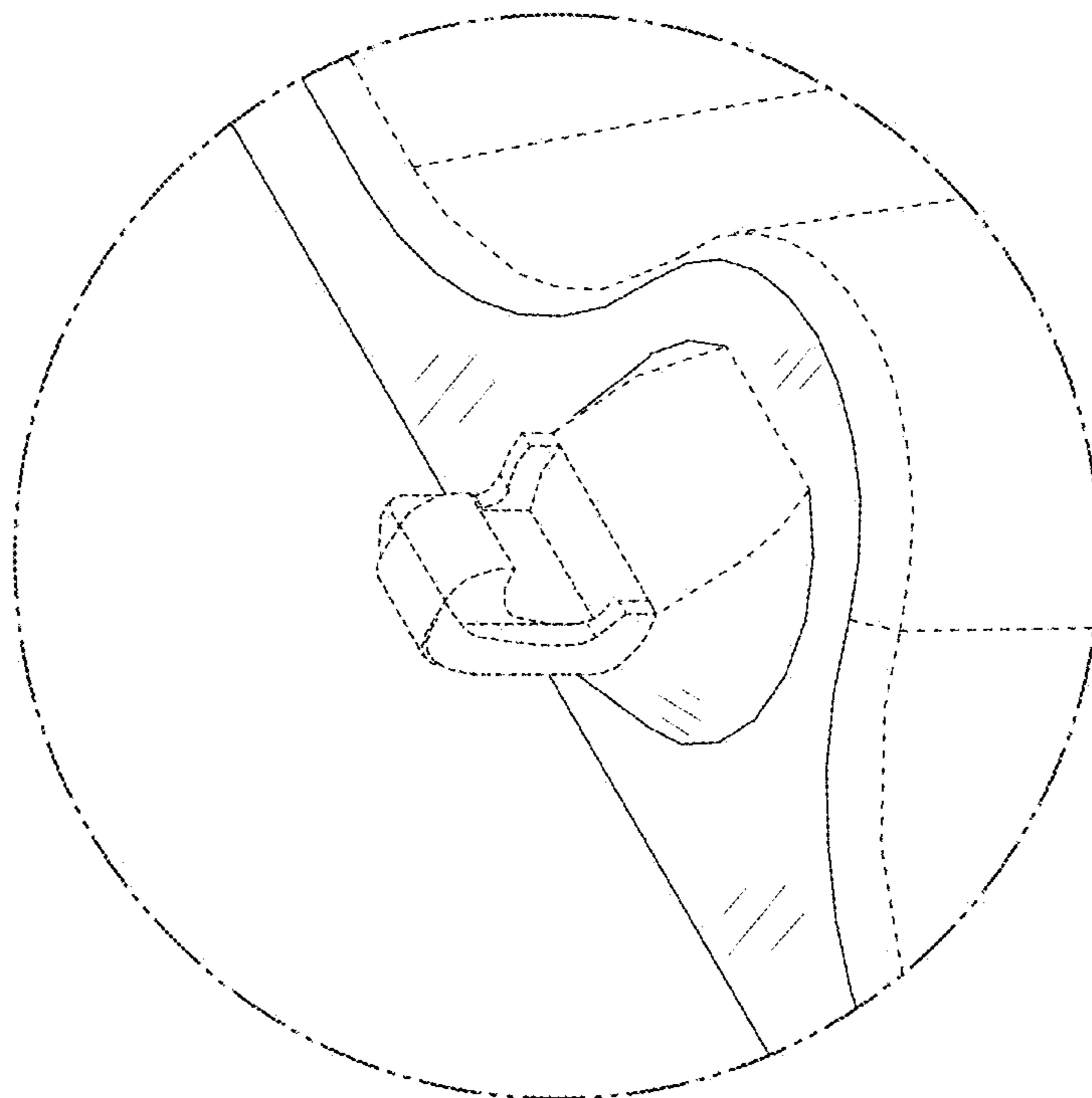


Fig. 2

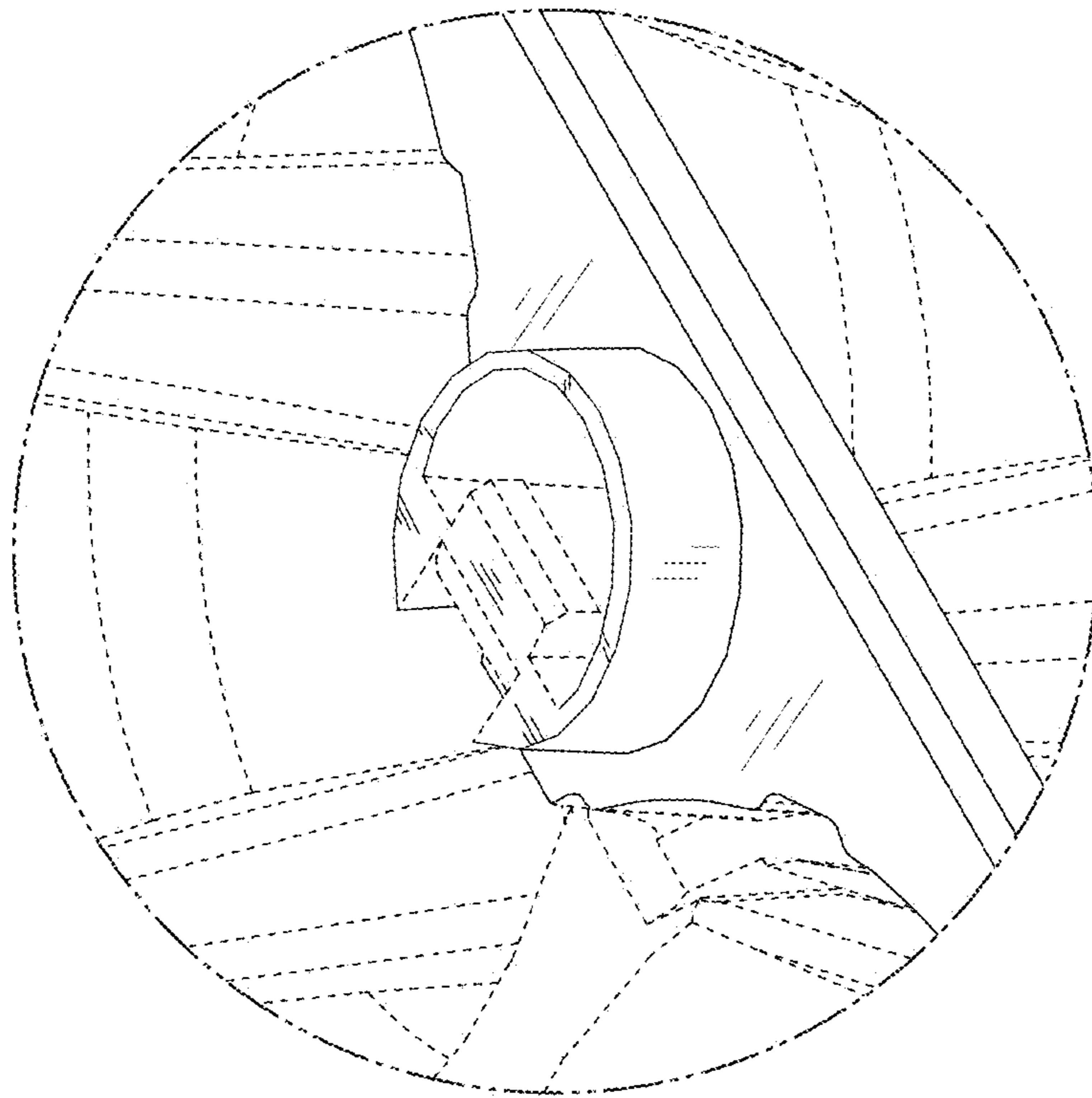


Fig. 3

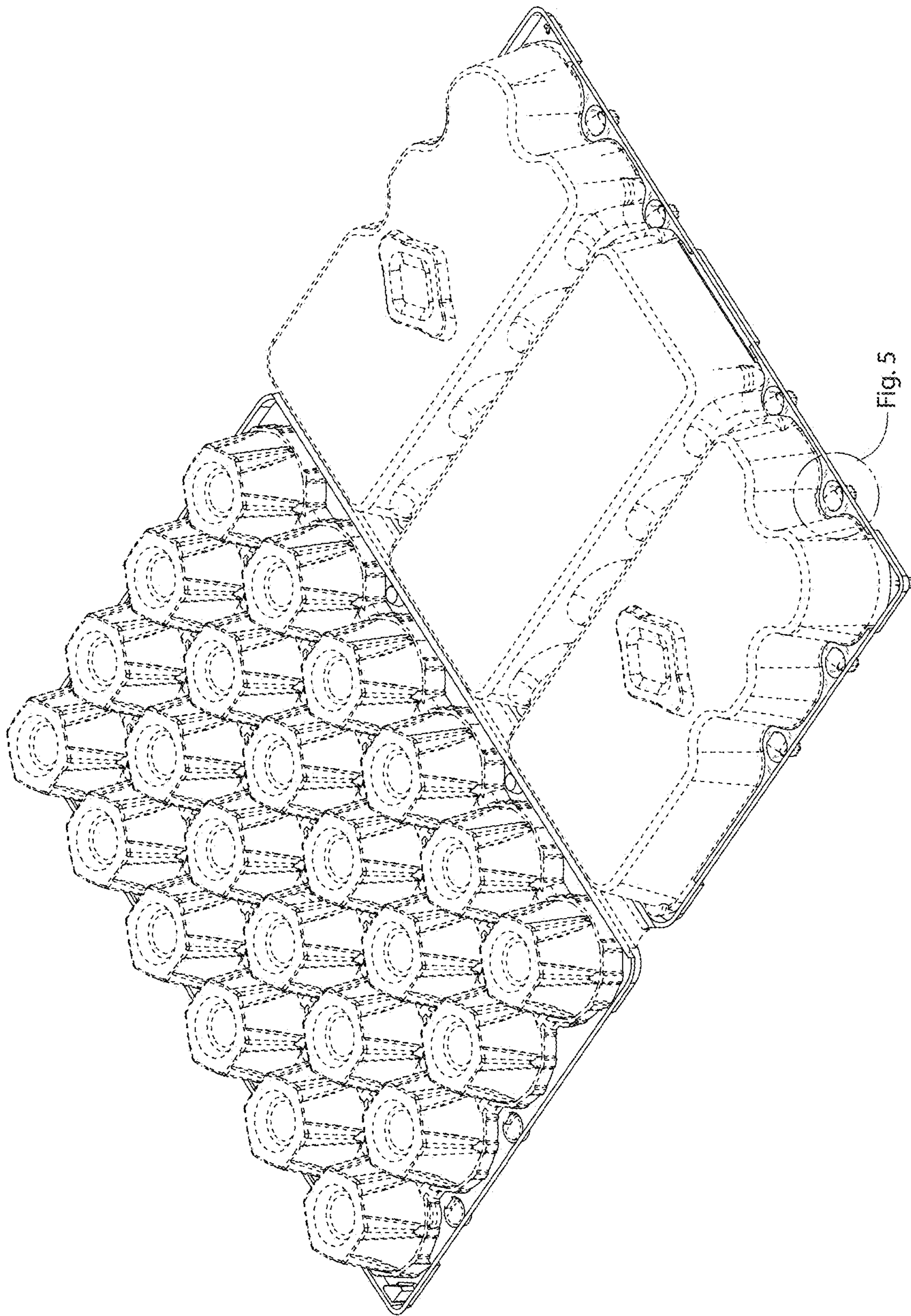


Fig. 4

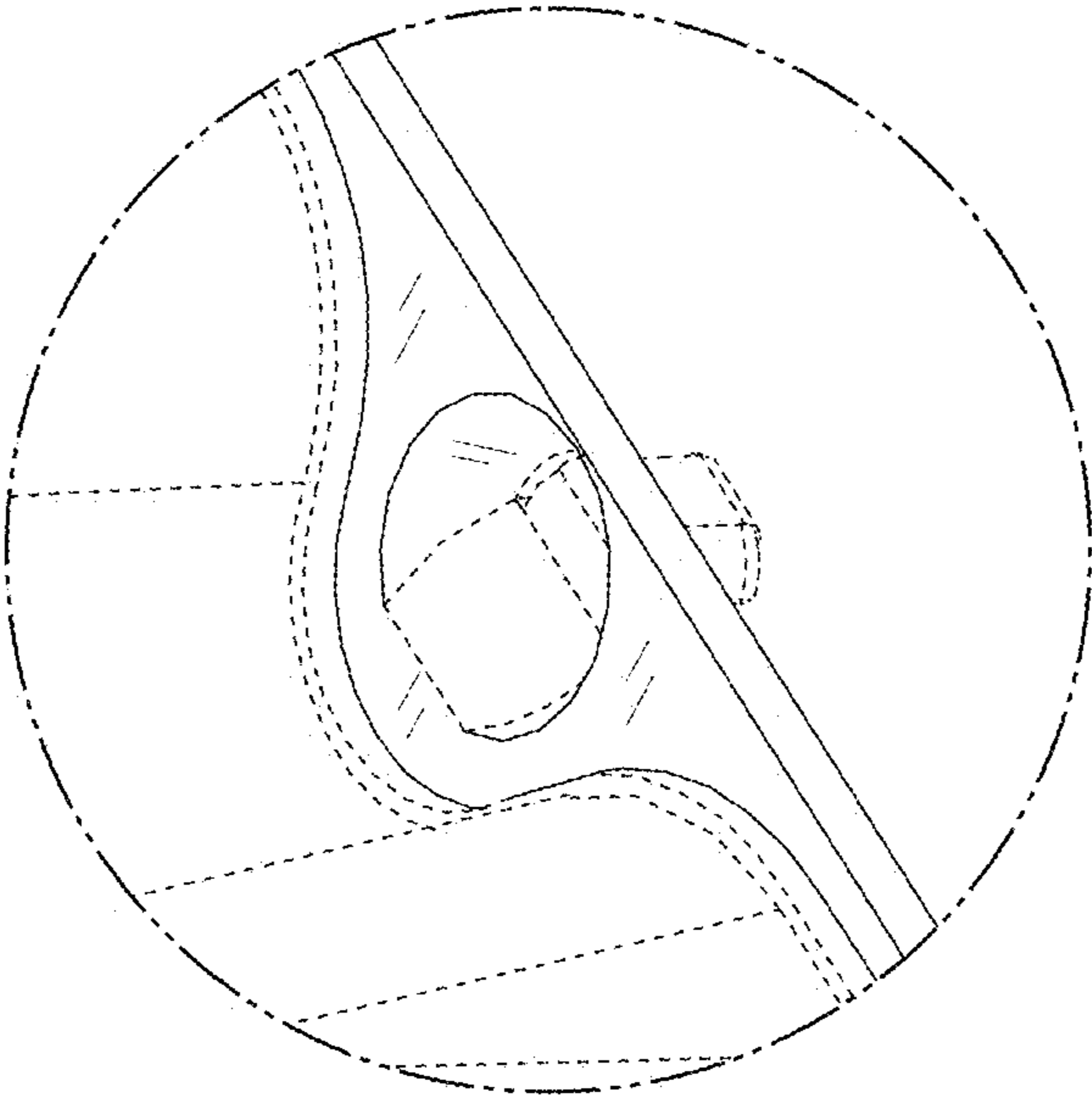


Fig. 5

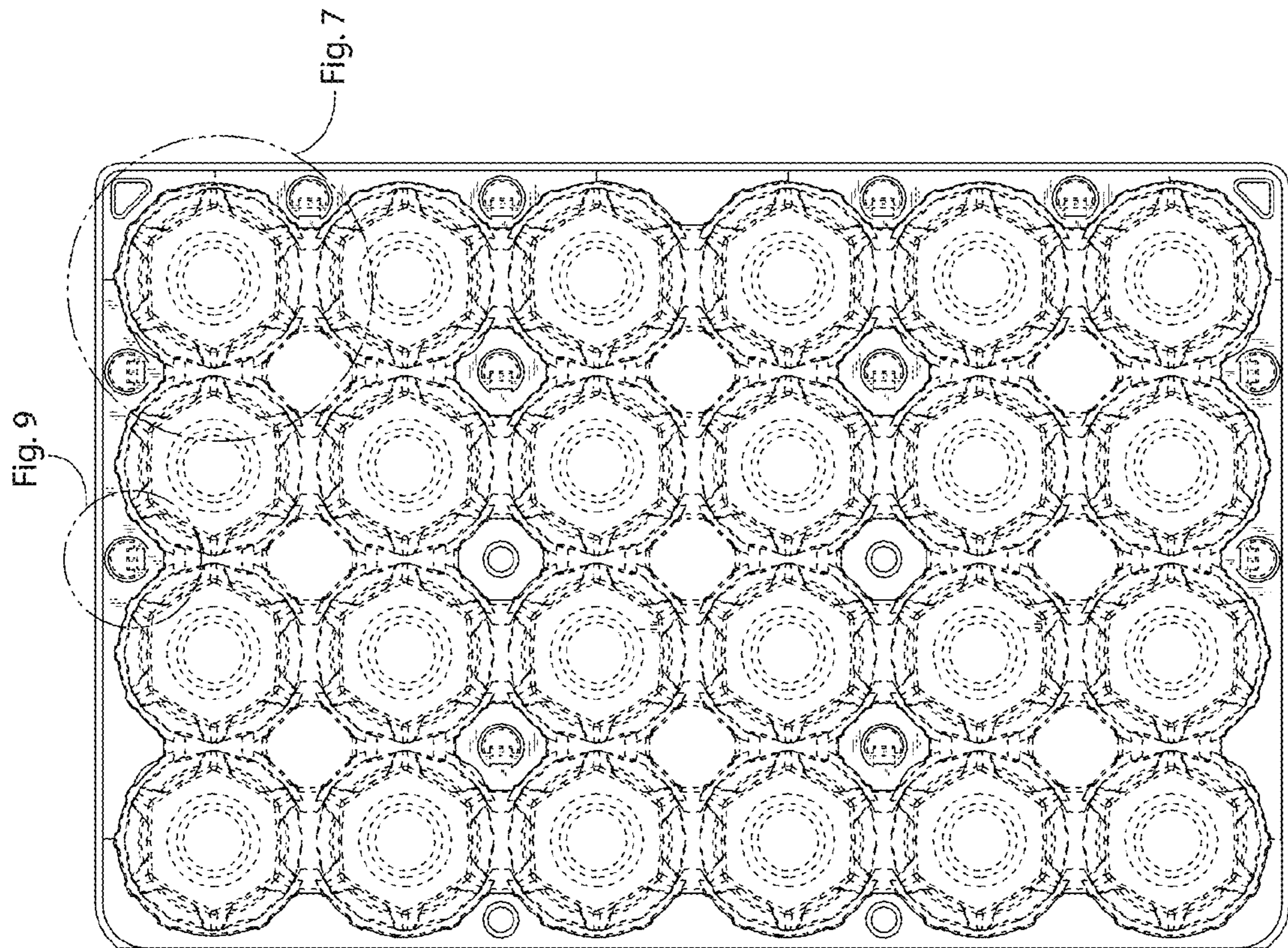


Fig. 9

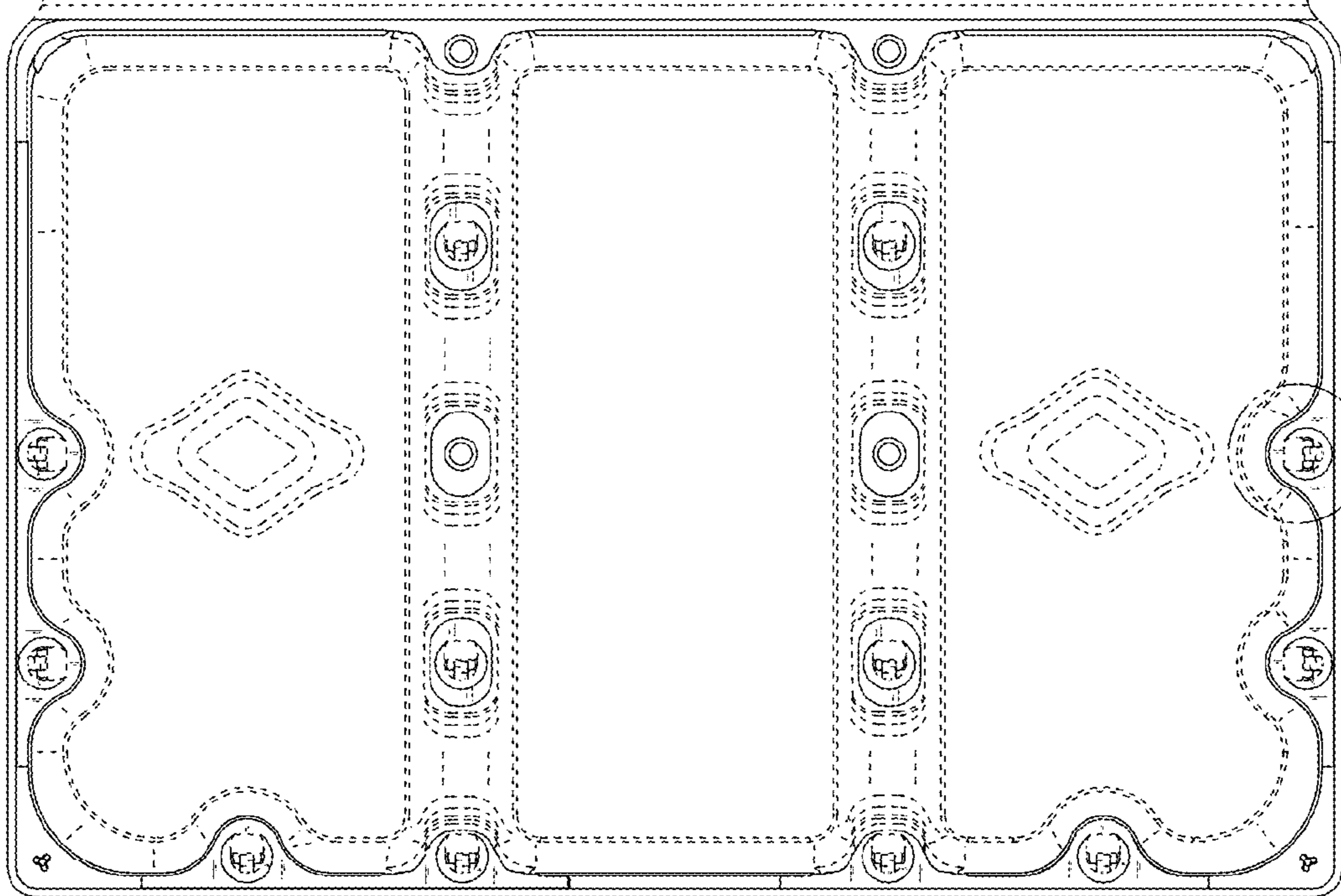


Fig. 6

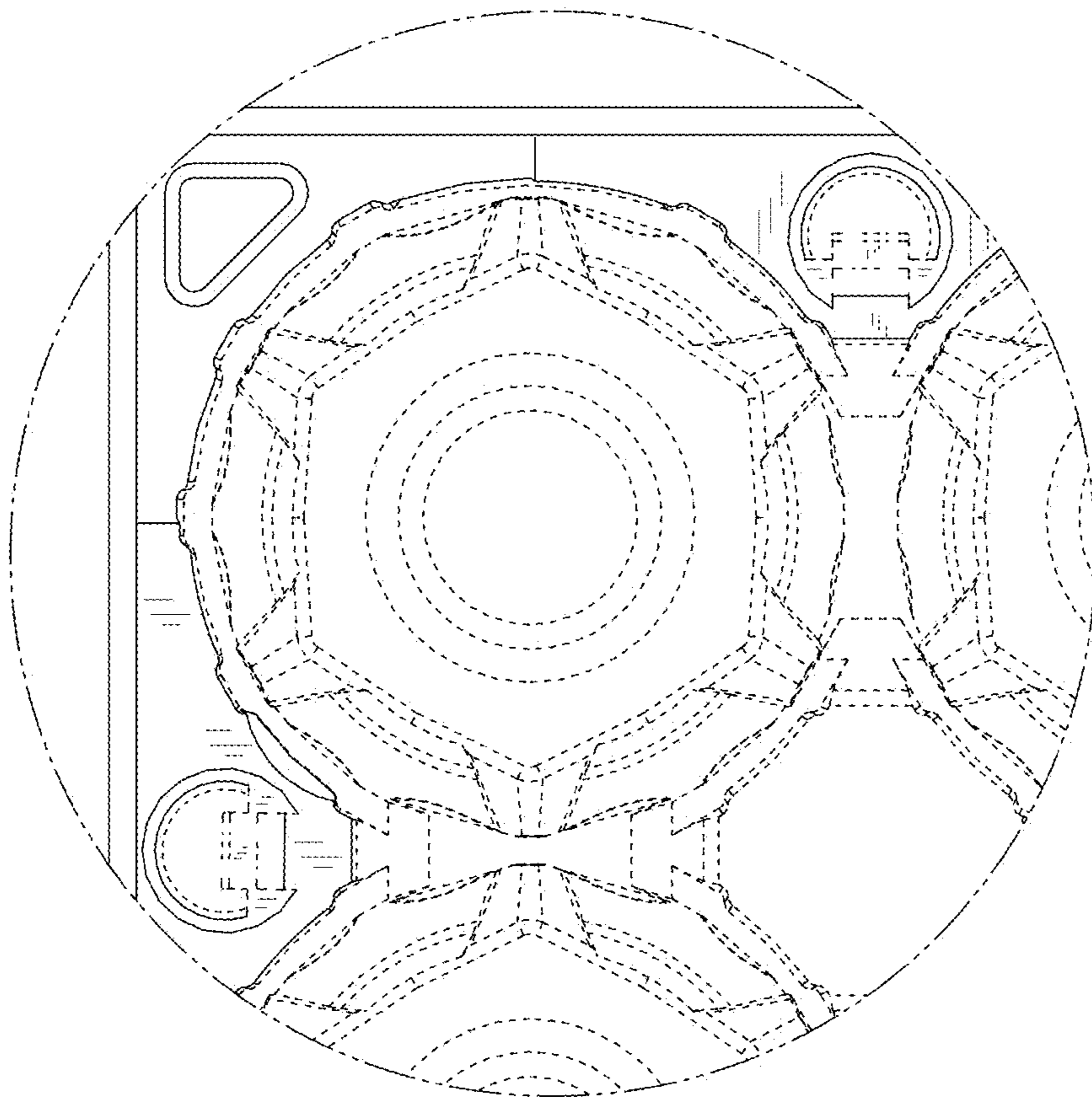


Fig. 7

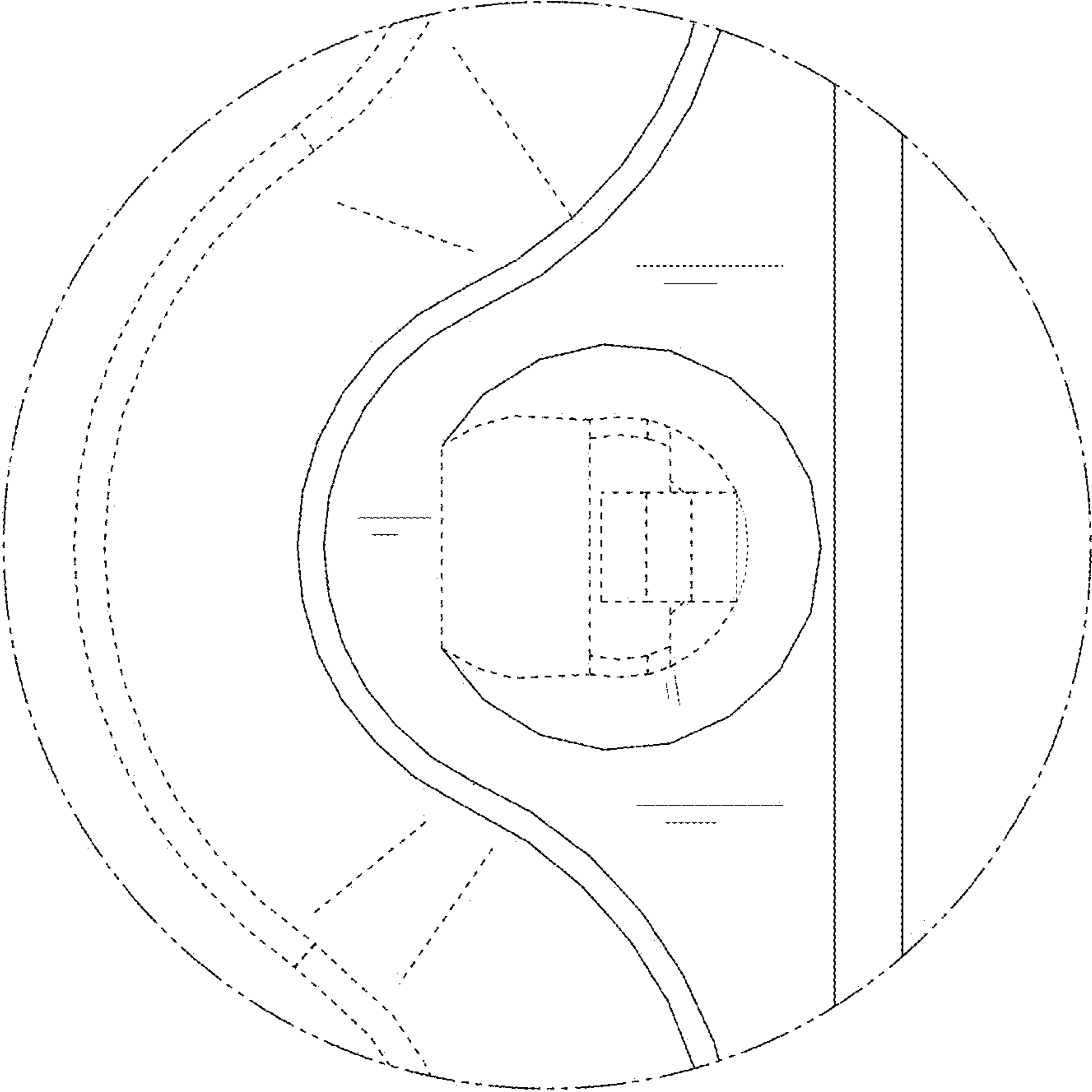


Fig. 8

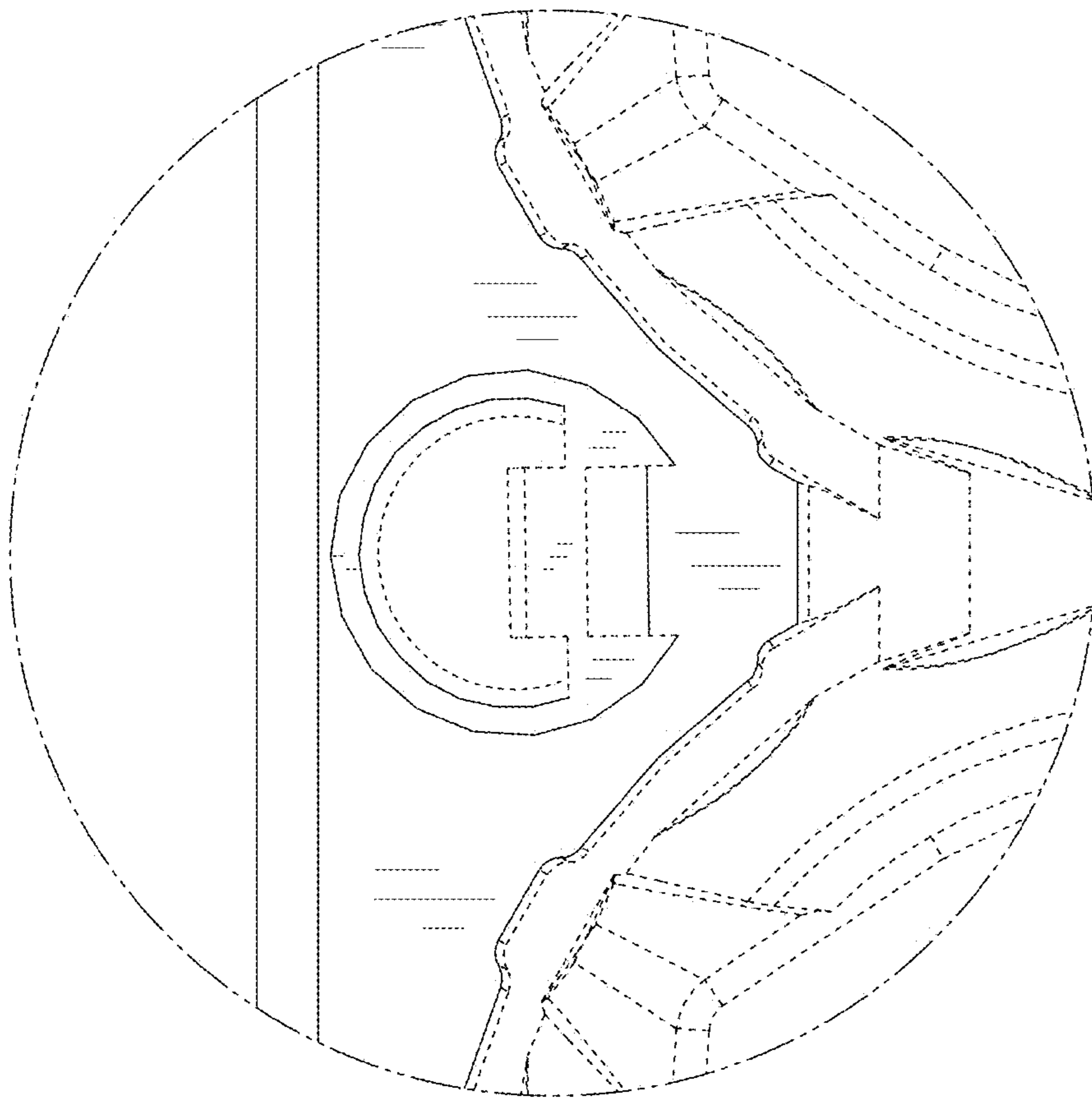


Fig. 9

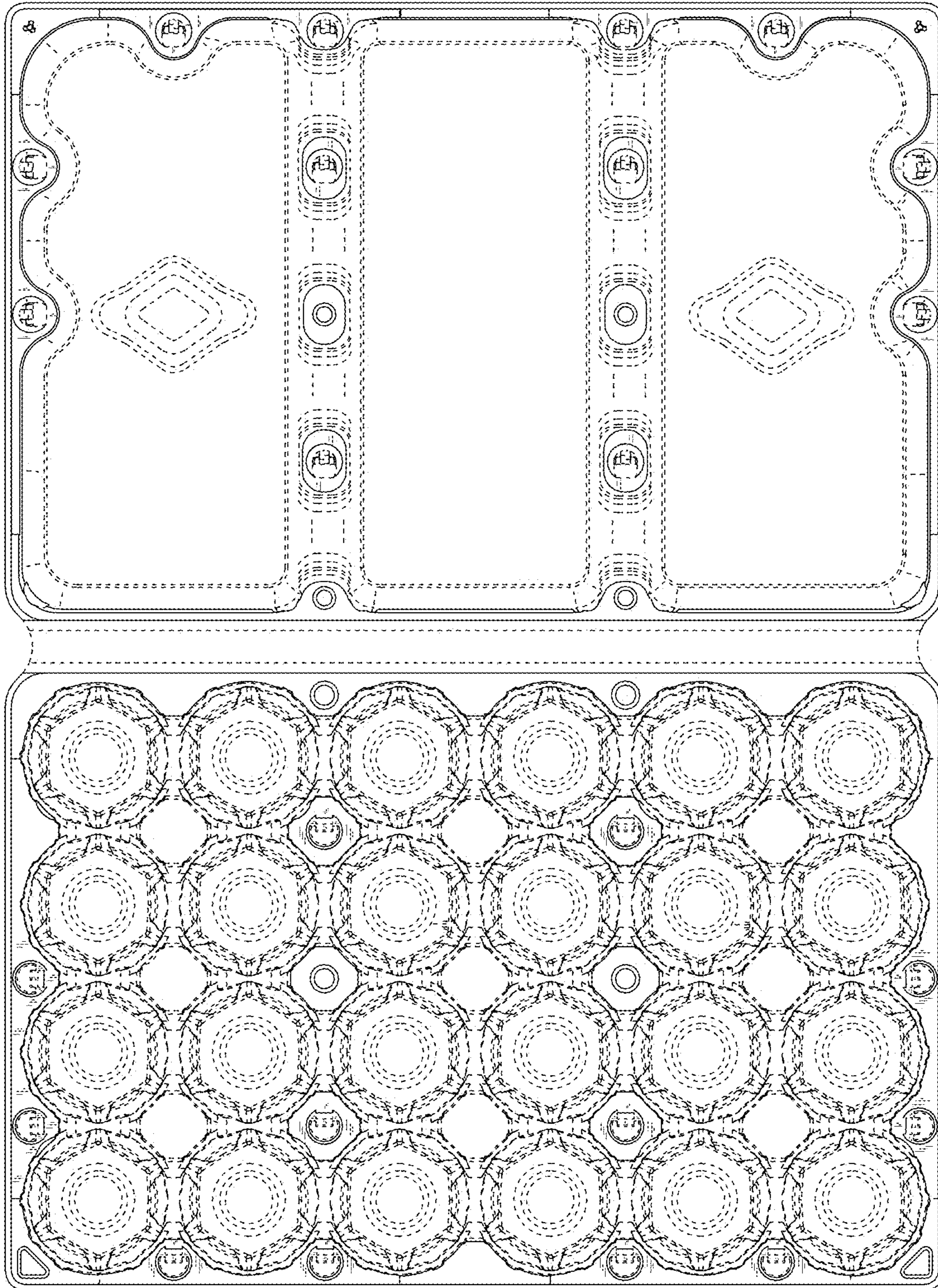


Fig. 10

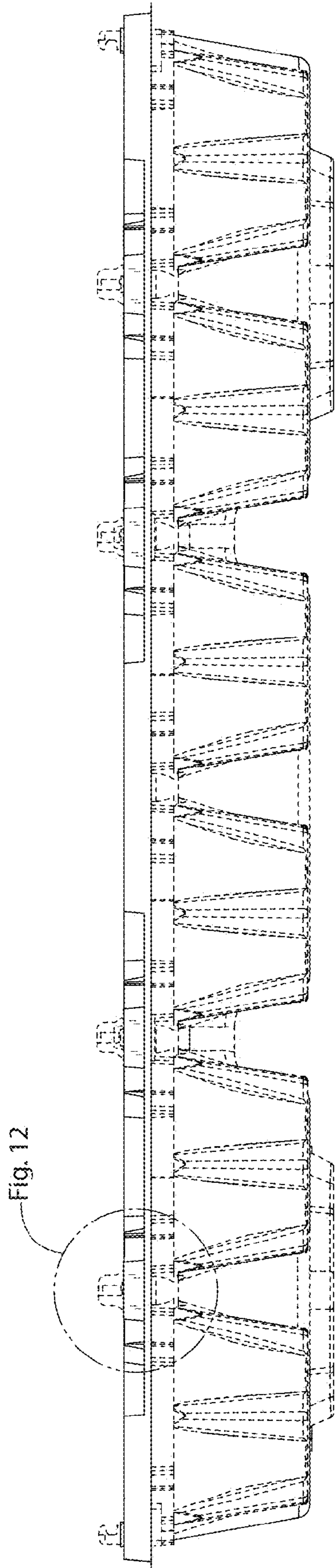


Fig. 11

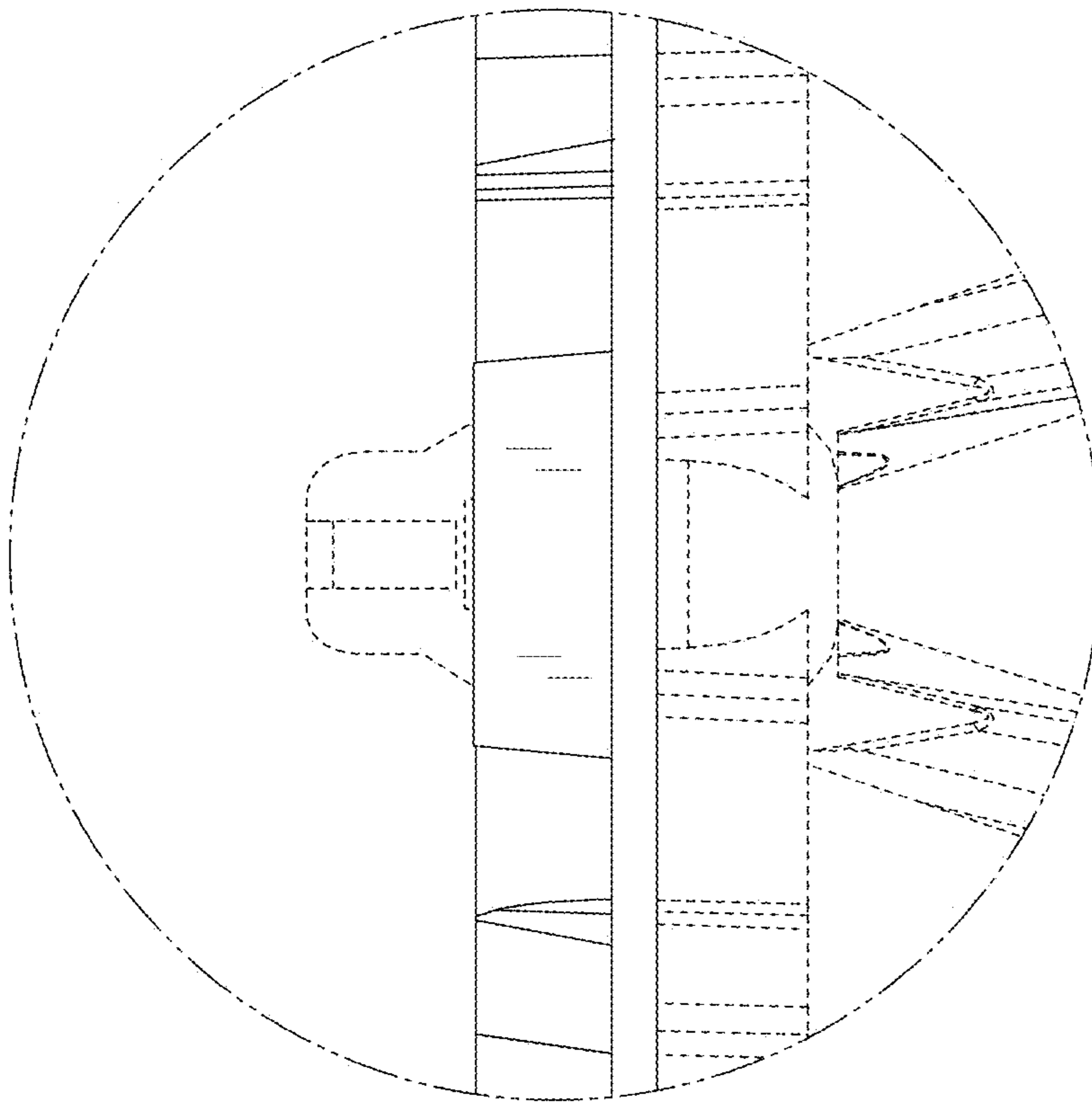


Fig. 12

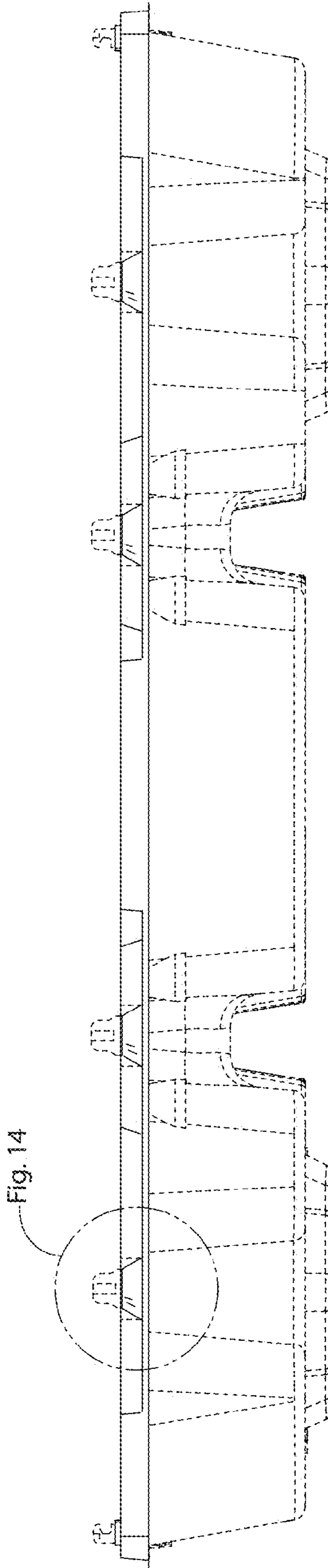


Fig. 13

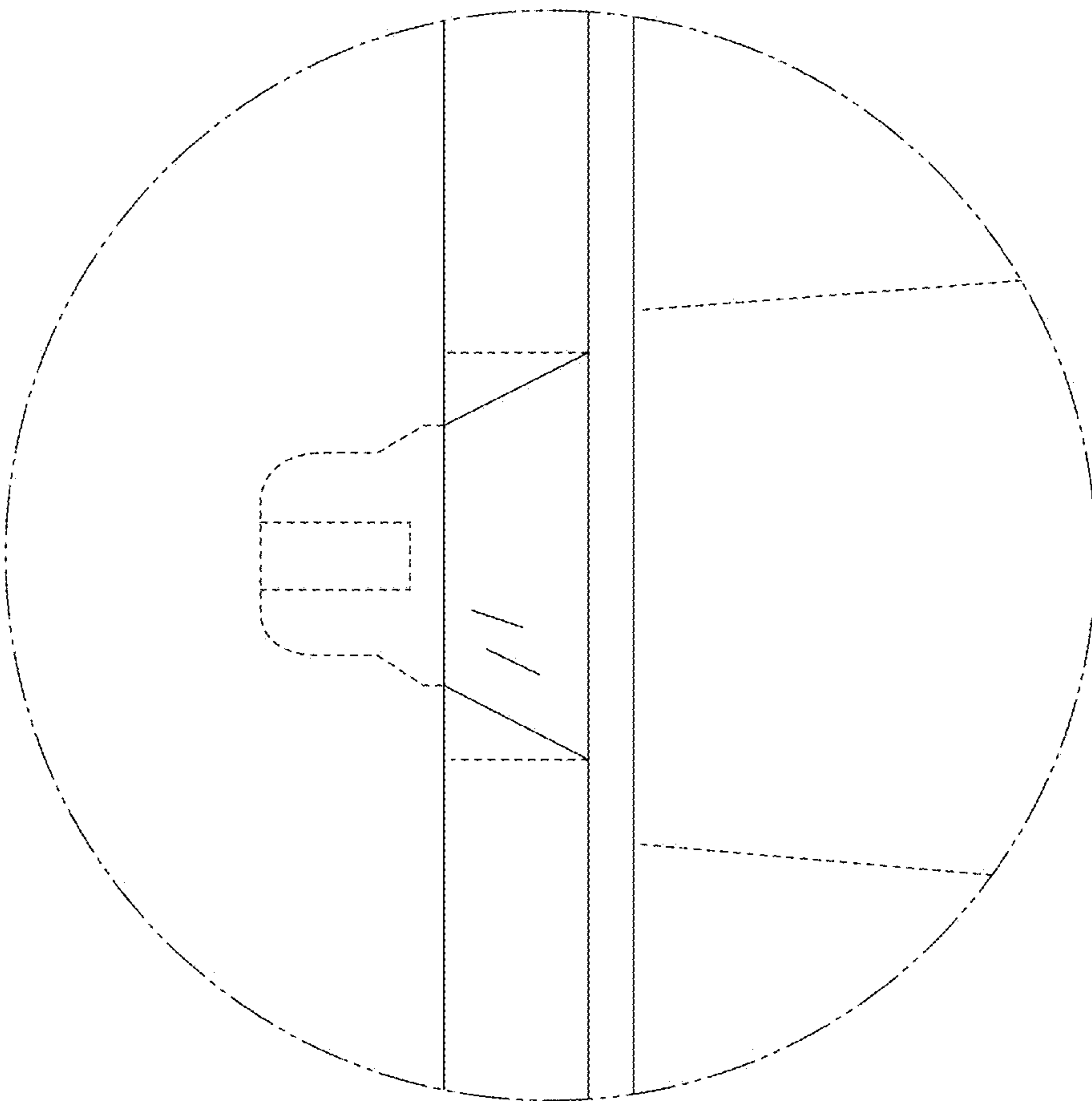


Fig. 14

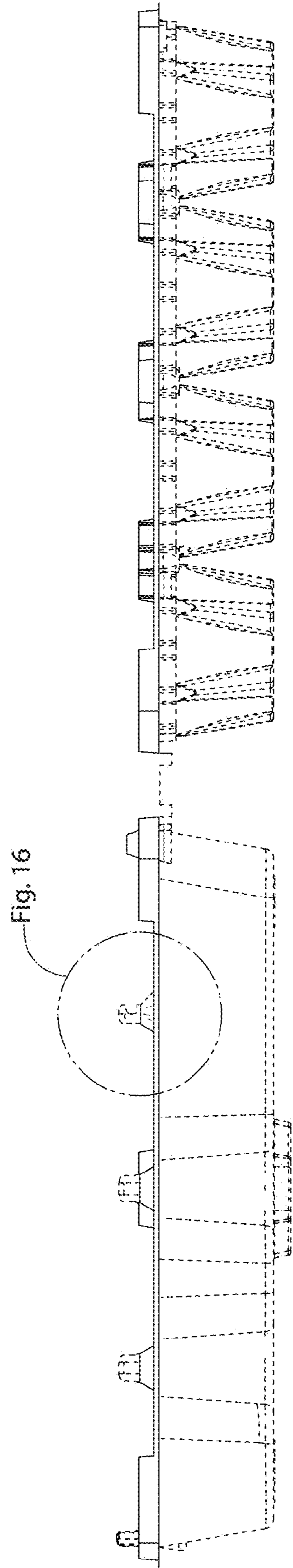


Fig. 15

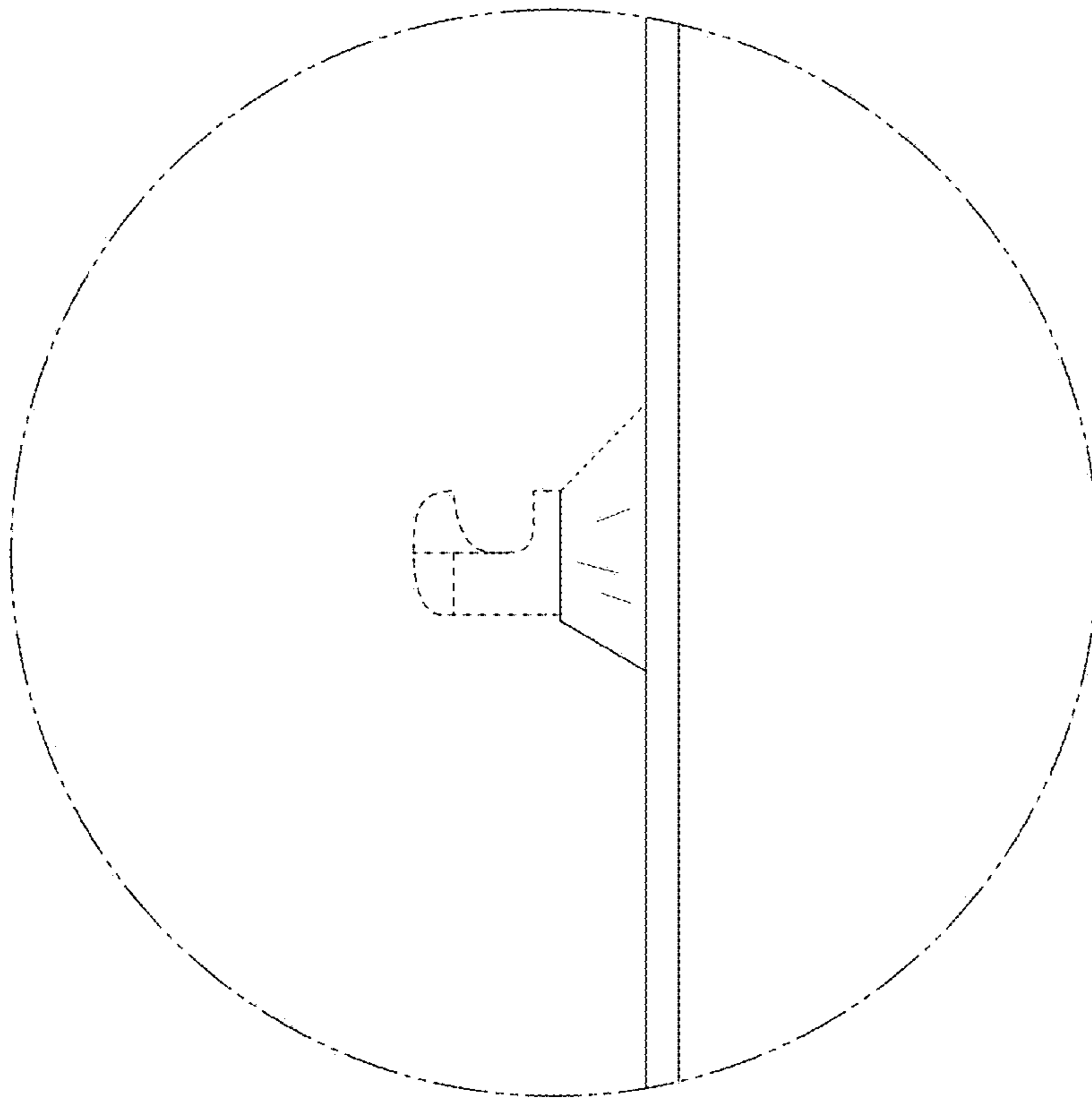


Fig. 16

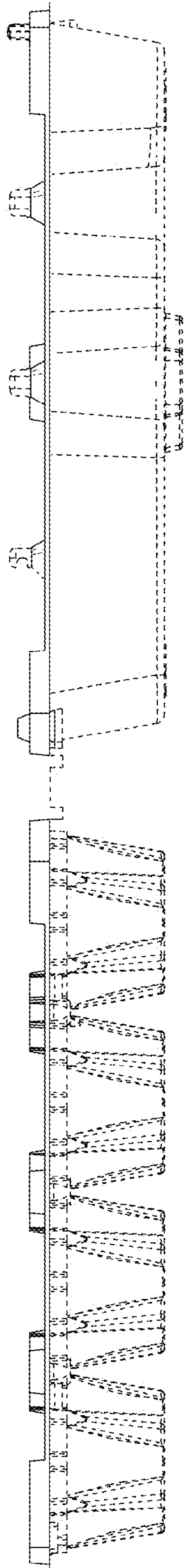


Fig. 17

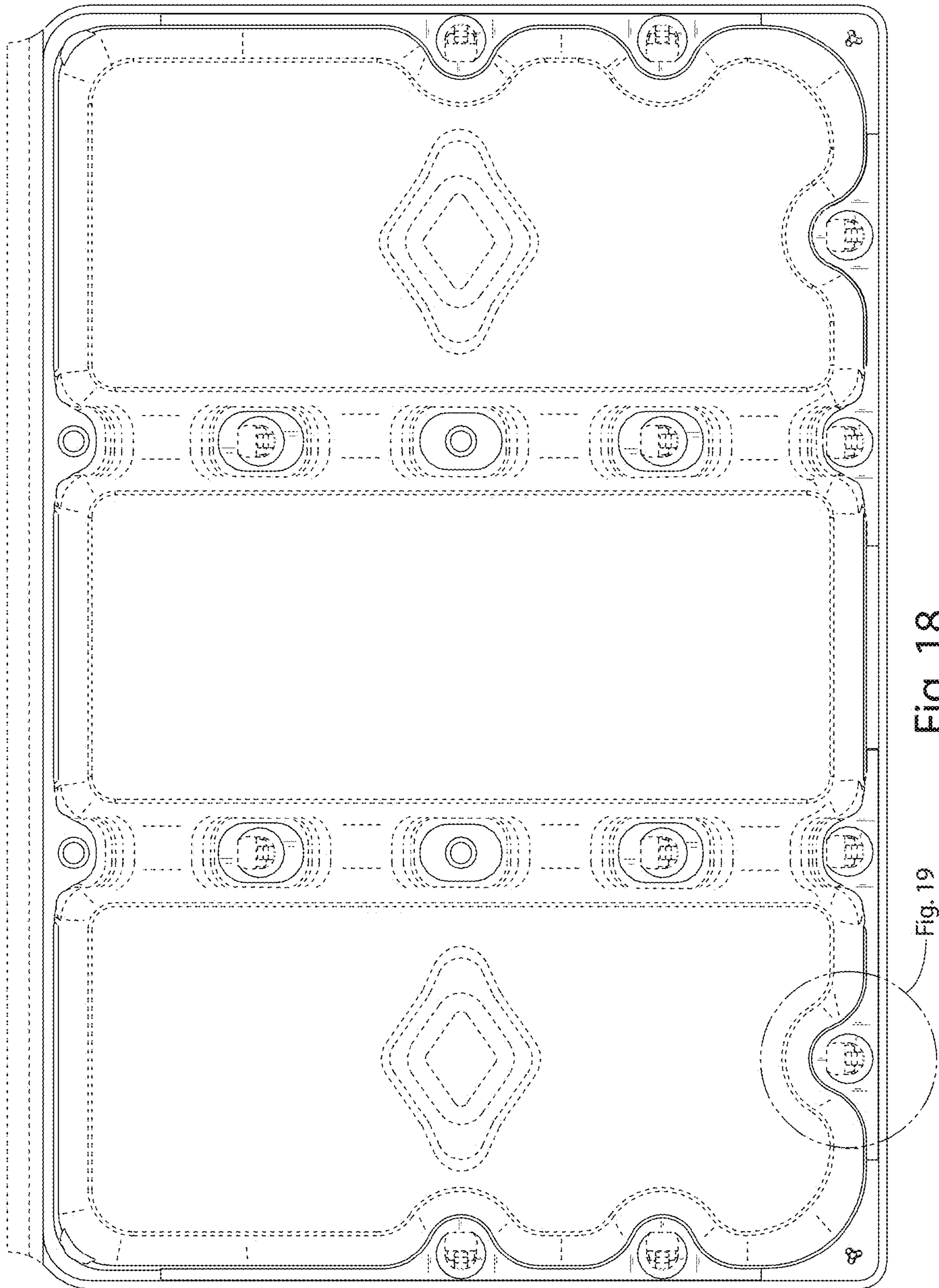


Fig. 18

Fig. 19

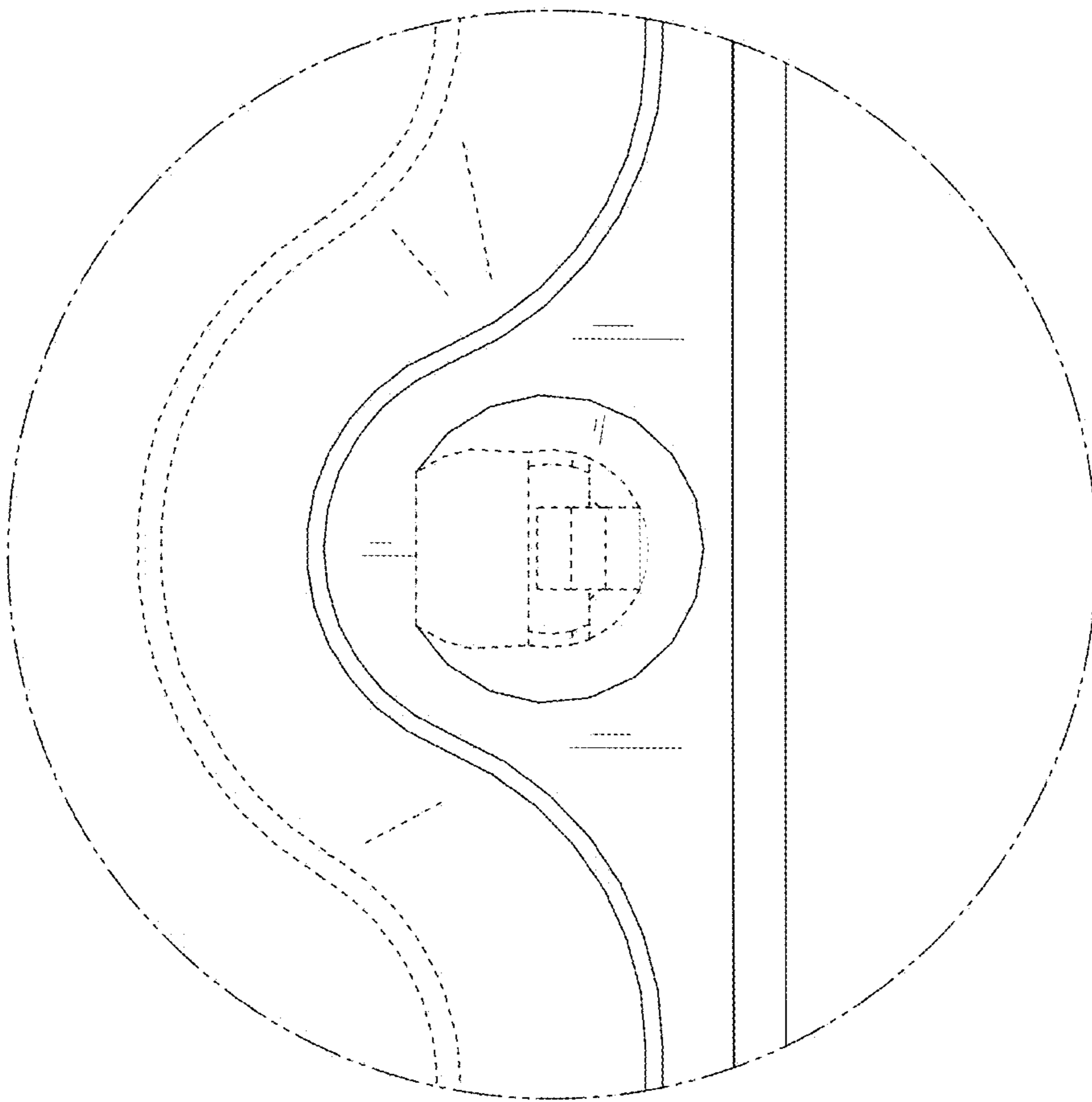


Fig. 19

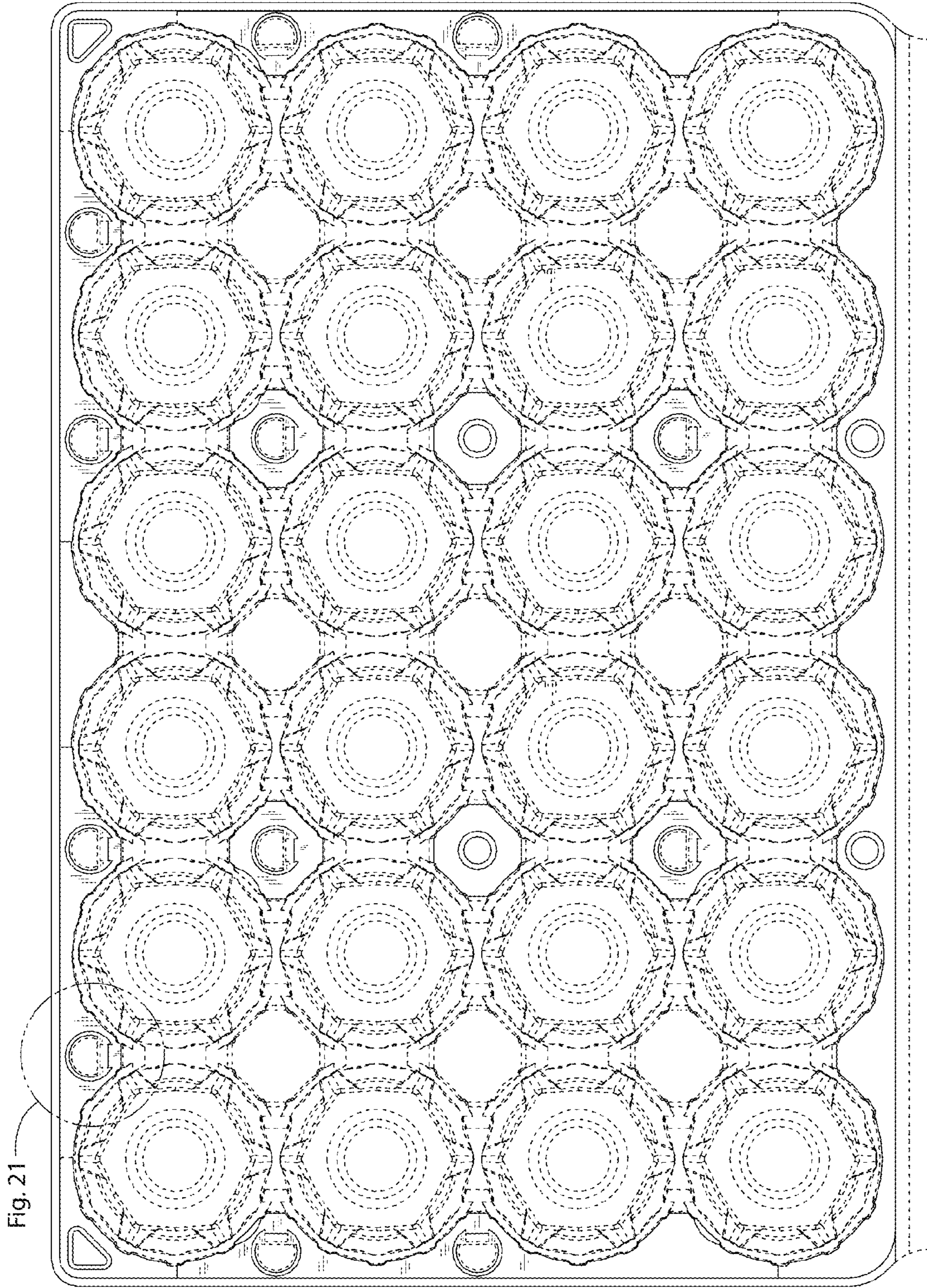


Fig. 20

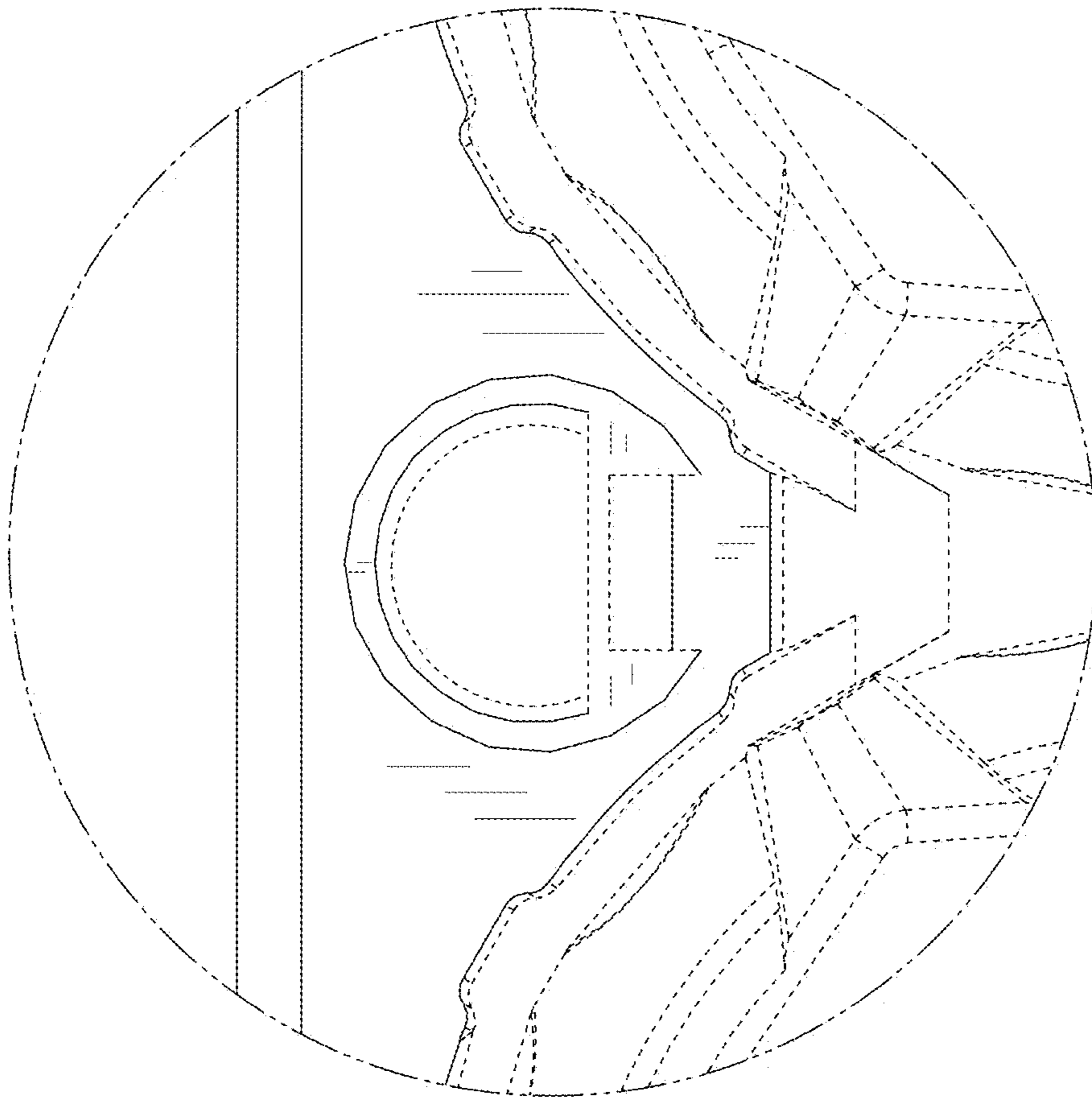


Fig. 21

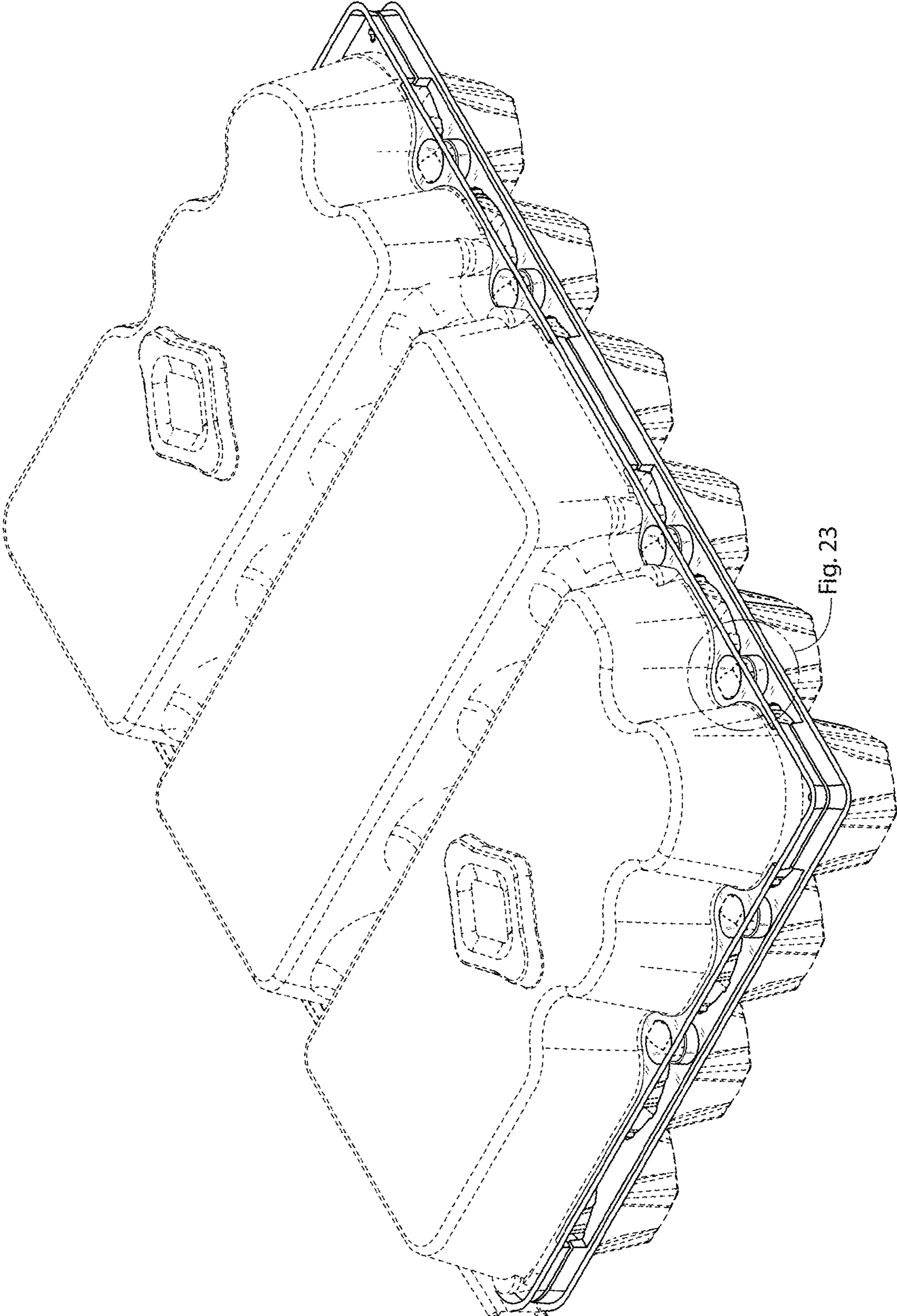


Fig. 22

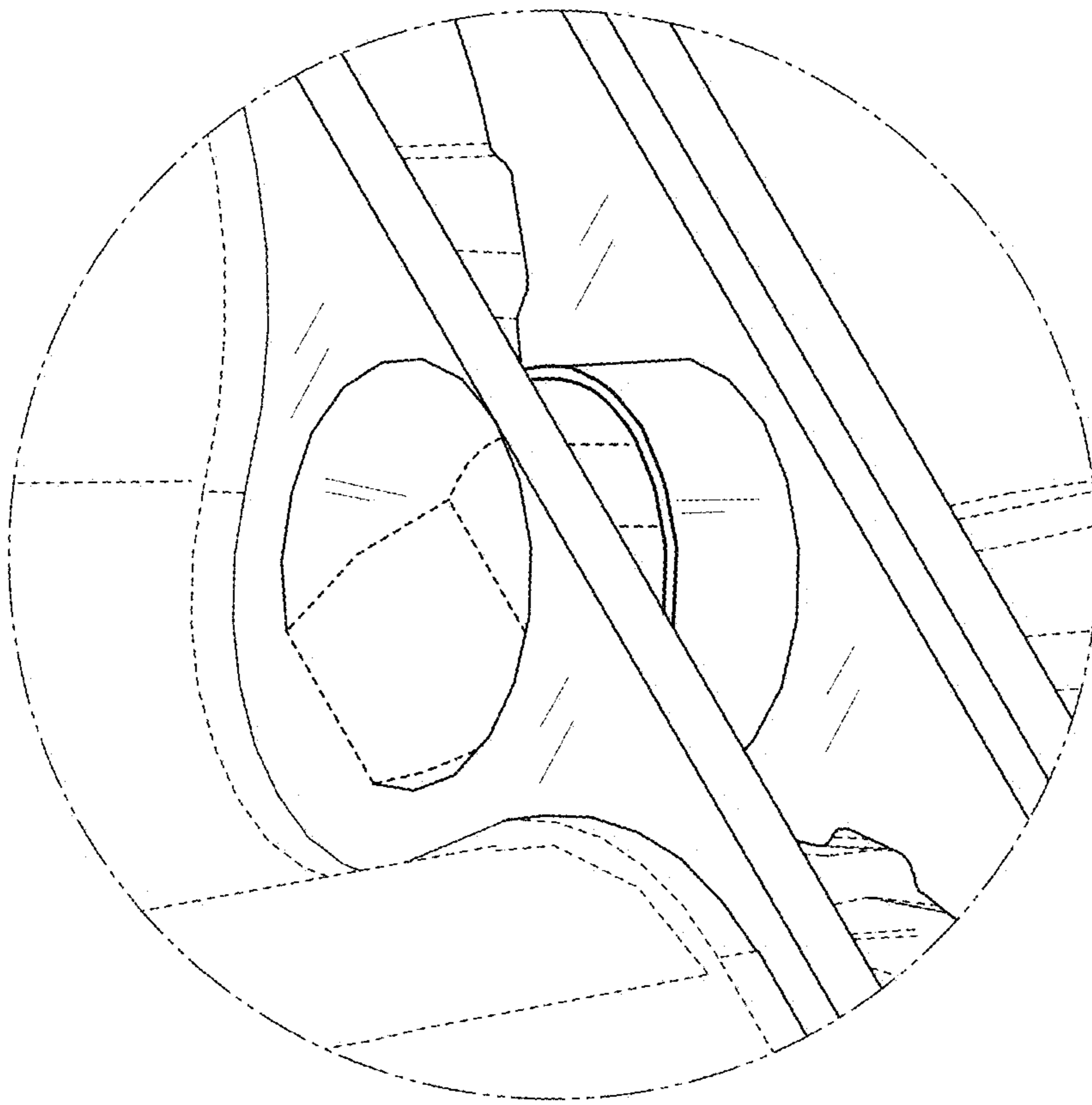


Fig. 23

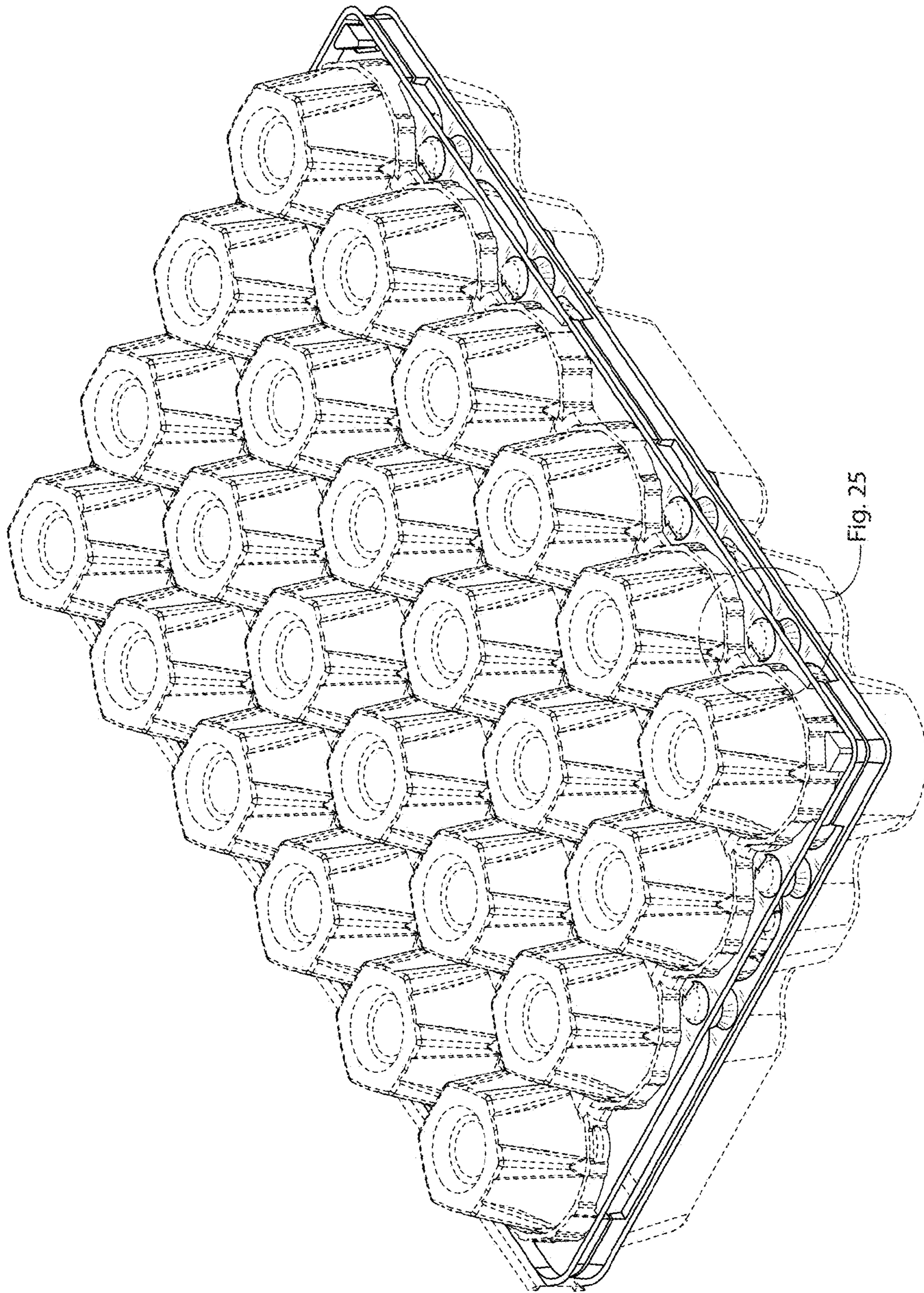


Fig. 24

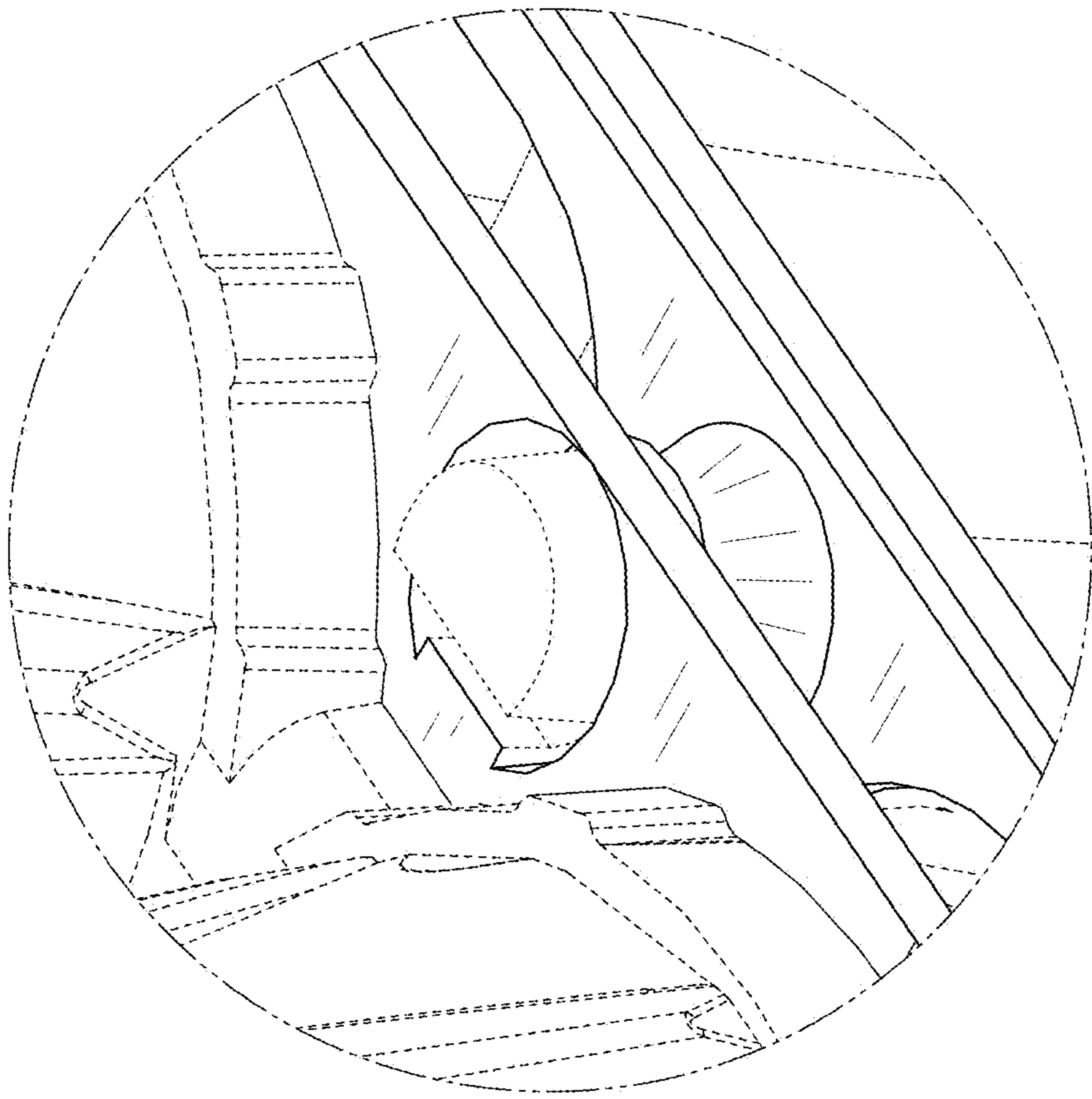


Fig. 25

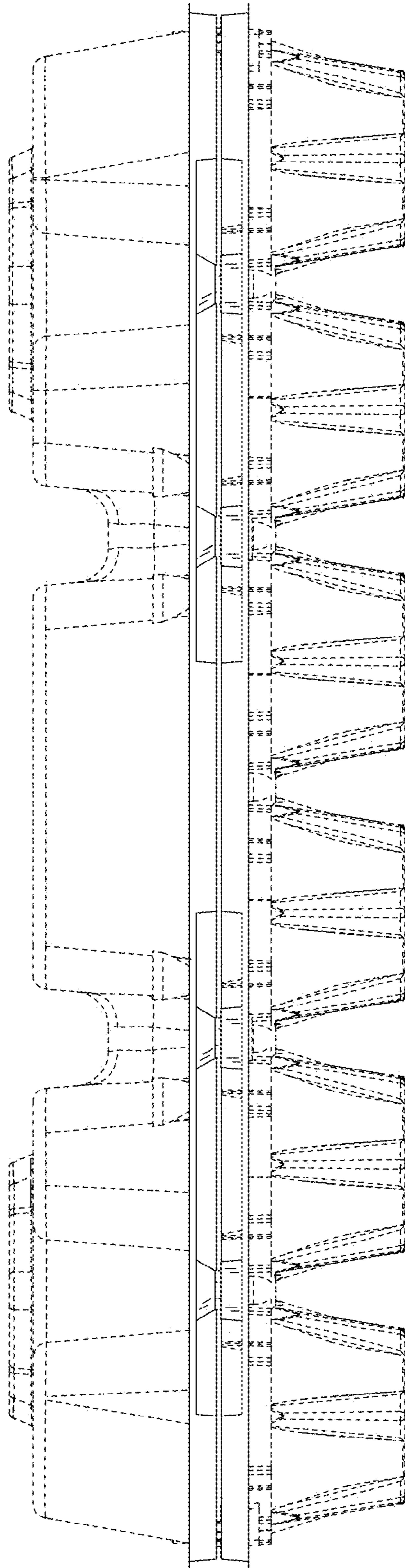


Fig. 26

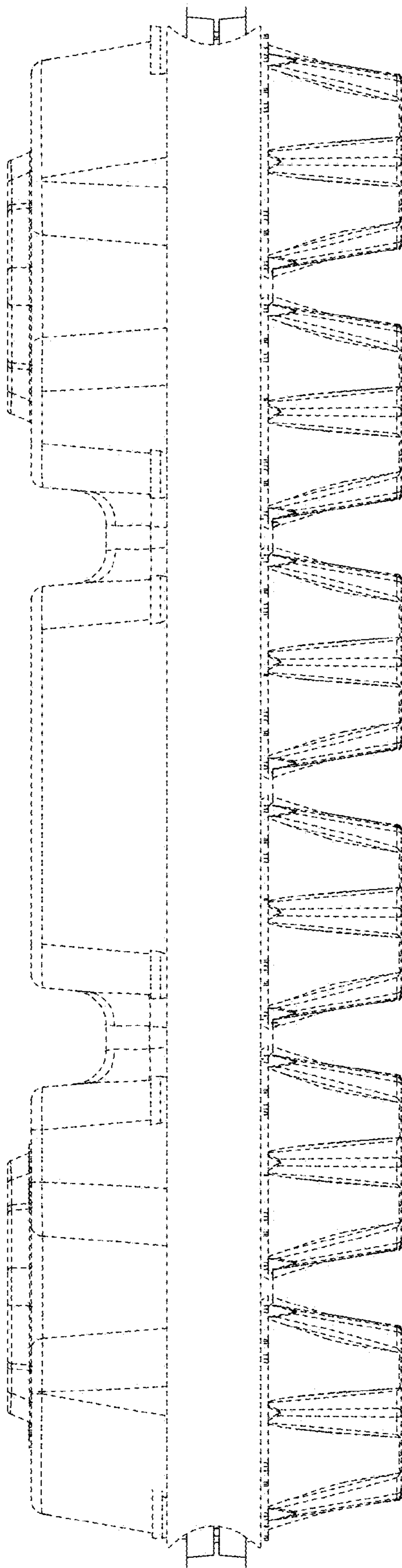


Fig. 27

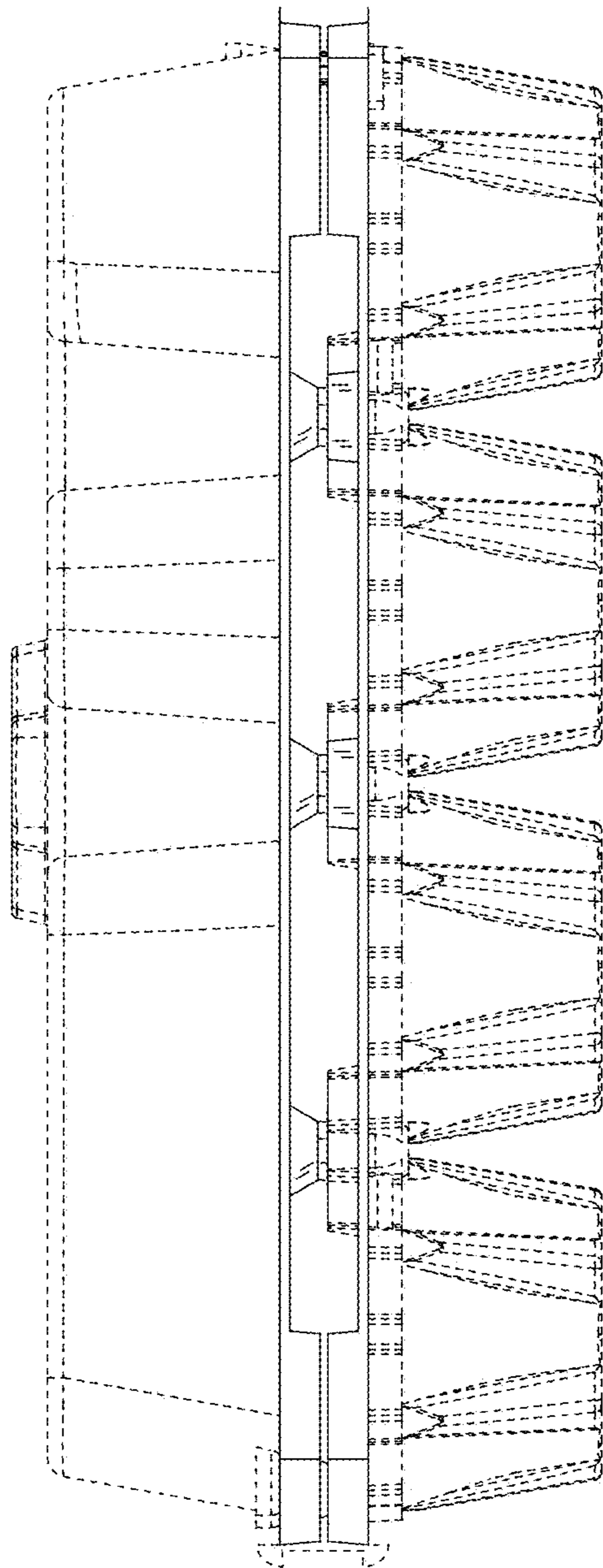


Fig. 28

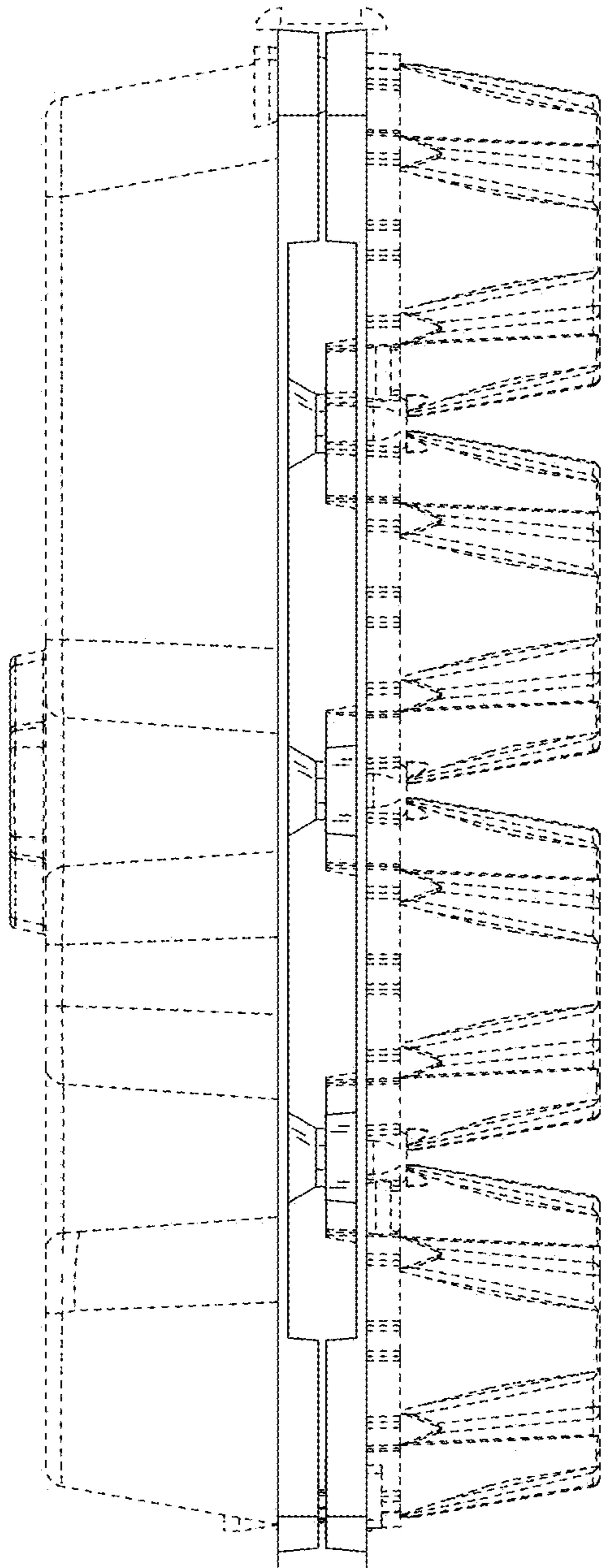


Fig. 29