



US00D893315S

(12) **United States Design Patent**
Dominion et al.

(10) **Patent No.:** **US D893,315 S**

(45) **Date of Patent:** **** Aug. 18, 2020**

(54) **CONTAINER**

(71) Applicant: **D6 Inc.**, Portland, OR (US)

(72) Inventors: **Ed Dominion**, Portland, OR (US);
Martin Troutd, Wood Village, OR
(US); **Ben McGregor**, Portland, OR
(US)

(73) Assignee: **D6 Inc.**, Portland, OR (US)

(**) Term: **15 Years**

(21) Appl. No.: **29/605,992**

(22) Filed: **May 31, 2017**

(51) **LOC (12) Cl.** **09-03**

(52) **U.S. Cl.**
USPC **D9/737; D7/553.3**

(58) **Field of Classification Search**
USPC D9/341, 347, 414-432, 440, 444, 447,
D9/449, 450-454, 503, 504, 737, 759,
D9/761; D7/672, 601, 550.1, 551.1,
D7/551.2, 551.3, 552.1, 552.2, 553.1,
D7/317-319, 392, 392.1, 396.2, 510, 511,
D7/553.2, 553.3, 553.4, 553.5, 553.7,
D7/553.8, 554.1, 554.3, 557, 602, 629,
D7/630, 538-549, 612-615, 584, 586,
D7/587, 709, 502, 608, 622, 701, 703,
D7/555; D3/273, 201-206, 276, 283,
D3/284, 295, 274, 302; D11/143;
249/126, 134; 206/216, 217, 541-550,
206/518, 557, 558, 561, 564, 223, 467;
220/669-673, 675, 574-575, 573.1, 4.21,
220/660, 326, 236, 780-806, 4.24, 288,
220/260, 266, 306, 352, 356, 523, 23.8,
220/23.2, 23.83, 23.4, 662, 700, 701, 703,
220/711, 713-715, 719; 426/106;
229/107, 406, 120, 125.17; 215/211, 200,
215/224, 243
CPC B65D 1/36; B65D 2543/00194; B65D
2543/00296; B65D 2543/00555; B65D
2581/3425; B65D 25/04; B65D 43/0218;

B65D 2543/00083; B65D 2543/00268;
B65D 2543/00277; B65D 2543/00351;
B65D 81/3453; B65D 43/16; B65D
51/28; B65D 43/162; B65D 1/24; B65D
21/0237; B65D 2543/00101; A47G 19/02;
A47G 19/065; A47G 23/0608; A47G
23/06

See application file for complete search history.

(56) **References Cited**

U.S. PATENT DOCUMENTS

4,026,457 A * 5/1977 Schubert B65D 1/36
229/406
5,497,885 A * 3/1996 Sussman A47G 19/065
206/217
D395,003 S * 6/1998 Daniels D9/737
D440,118 S * 4/2001 Claffy D7/553.1

(Continued)

OTHER PUBLICATIONS

U.S. Appl. No. 29/605,996, filed May 31, 2017, 13 pages.

(Continued)

Primary Examiner — W. A. Teddy Falloway
(74) *Attorney, Agent, or Firm* — Stoel Rives LLP

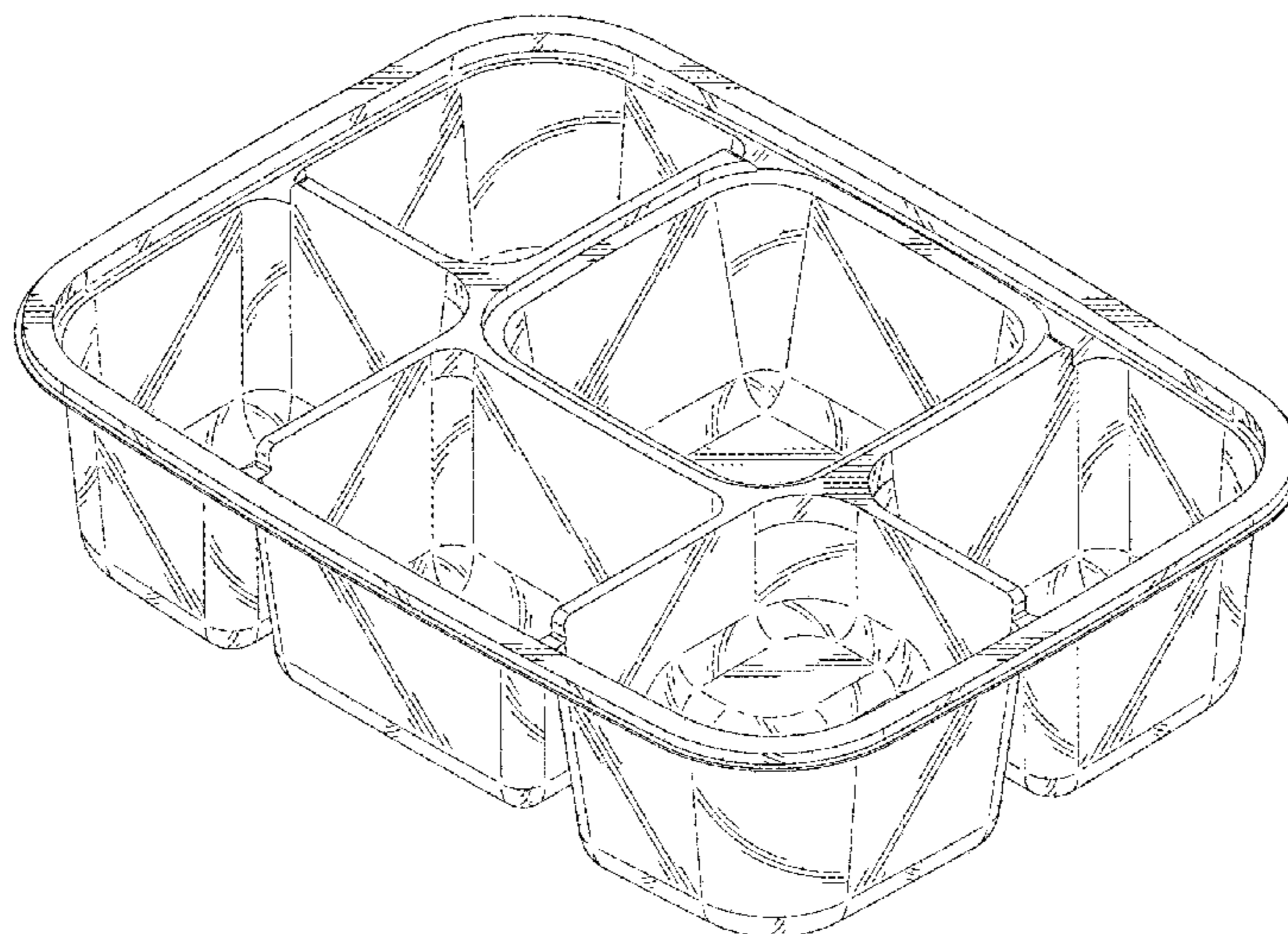
(57) **CLAIM**

The ornamental design for a container, as shown and described.

DESCRIPTION

FIG. 1 is a front, top isometric view of a container according to an embodiment of our new design;
FIG. 2 rear elevational view of the container of FIG. 1;
FIG. 3 is a top plan view of the container of FIG. 1;
FIG. 4 is a bottom plan view of the embodiment of the container of FIG. 1; and,
FIG. 5 is a bottom isometric view of the embodiment of the container of FIG. 1.

1 Claim, 5 Drawing Sheets



(56)

References Cited

U.S. PATENT DOCUMENTS

D463,977 S * 10/2002 Castellanos D9/425
D492,593 S * 7/2004 Dutton D9/760
D504,326 S * 4/2005 Vovan D9/425
D508,634 S * 8/2005 Chambers D3/313
7,017,774 B2 * 3/2006 Haedt B65D 1/28
206/564
D555,475 S * 11/2007 Enriquez D9/432
D572,148 S * 7/2008 Mangino D9/737
D572,149 S * 7/2008 Mangino D9/737
7,874,449 B1 * 1/2011 Studee A47G 19/02
206/219
D647,807 S * 11/2011 Golota D9/424
D648,635 S * 11/2011 Golota D9/424
D648,636 S * 11/2011 Golota D9/424
D653,963 S * 2/2012 Golota D9/737
D695,077 S * 12/2013 Chase D7/555
D729,588 S * 5/2015 Breton D7/553.2
D731,248 S * 6/2015 Breton D7/553.2

D734,098 S * 7/2015 Breton D7/553.6
D735,028 S * 7/2015 Baillies D9/425
D737,633 S * 9/2015 Breton D7/553.6
D798,167 S * 9/2017 Bennett D9/762
D805,400 S * 12/2017 Shoshan D9/737
2010/0181318 A1 * 7/2010 Bava B65D 43/022
220/378
2011/0240653 A1 * 10/2011 Castner A45C 11/20
220/526
2013/0081361 A1 * 4/2013 Miros A45C 11/20
53/420

OTHER PUBLICATIONS

U.S. Appl. No. 29/605,994, filed May 31, 2017, 13 pages.
U.S. Appl. No. 29/605,997, filed May 31, 2017, 15 pages.
U.S. Appl. No. 29/605,998, filed May 31, 2017, 15 pages.
U.S. Appl. No. 29/605,999, filed May 31, 2017, 8 pages.
U.S. Appl. No. 29/606,000, filed May 31, 2017, 15 pages.

* cited by examiner

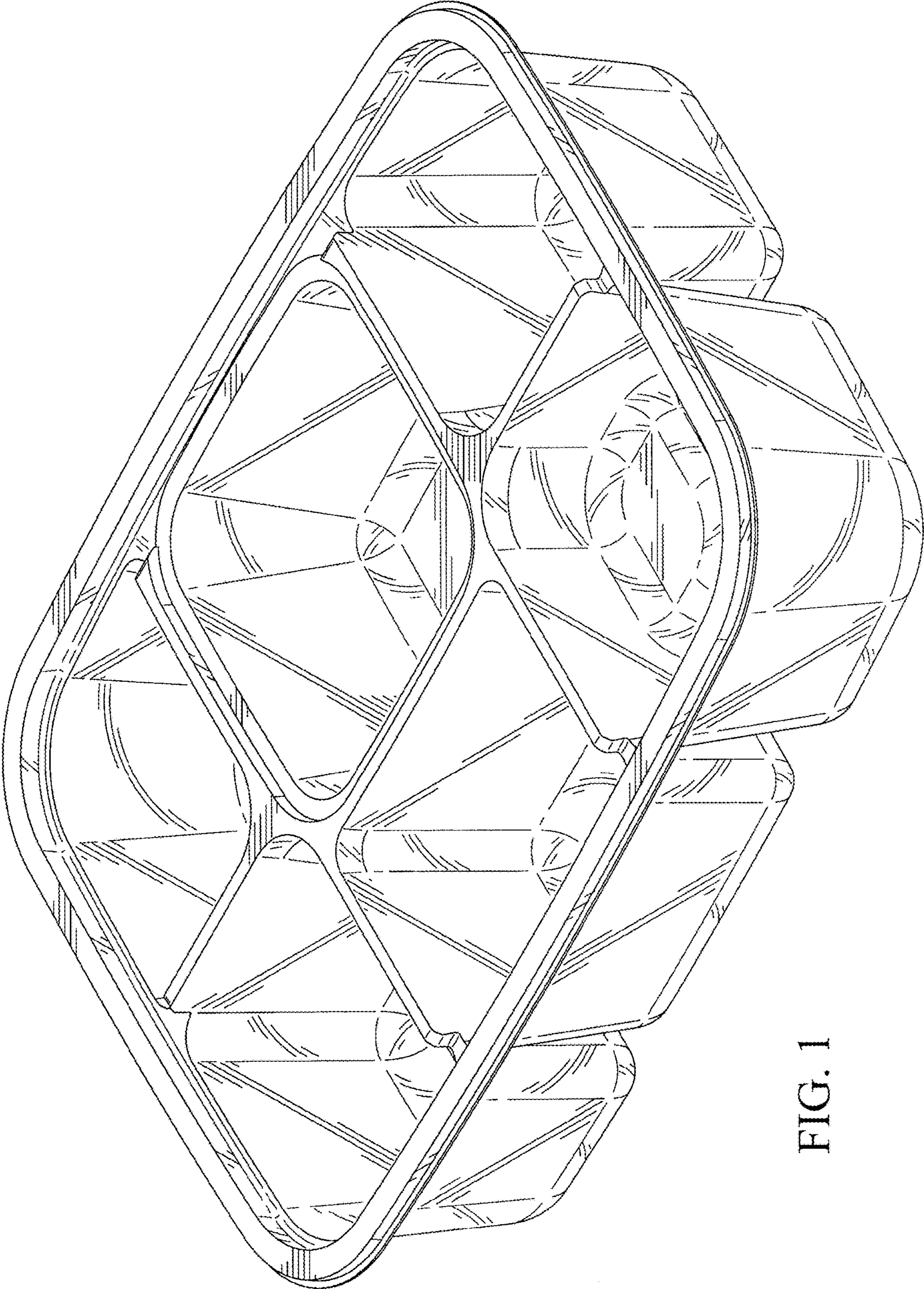


FIG. 1

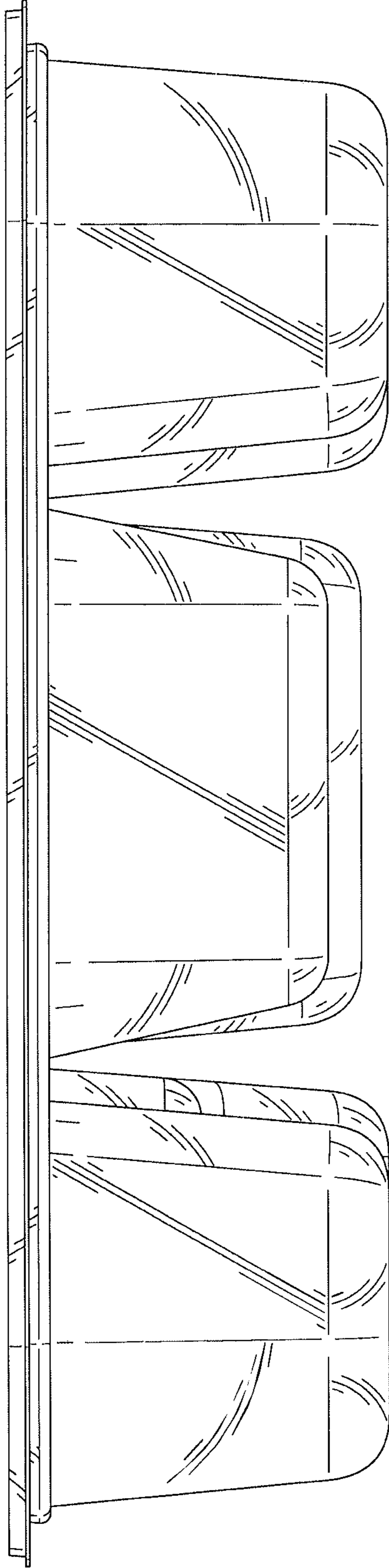


FIG. 2

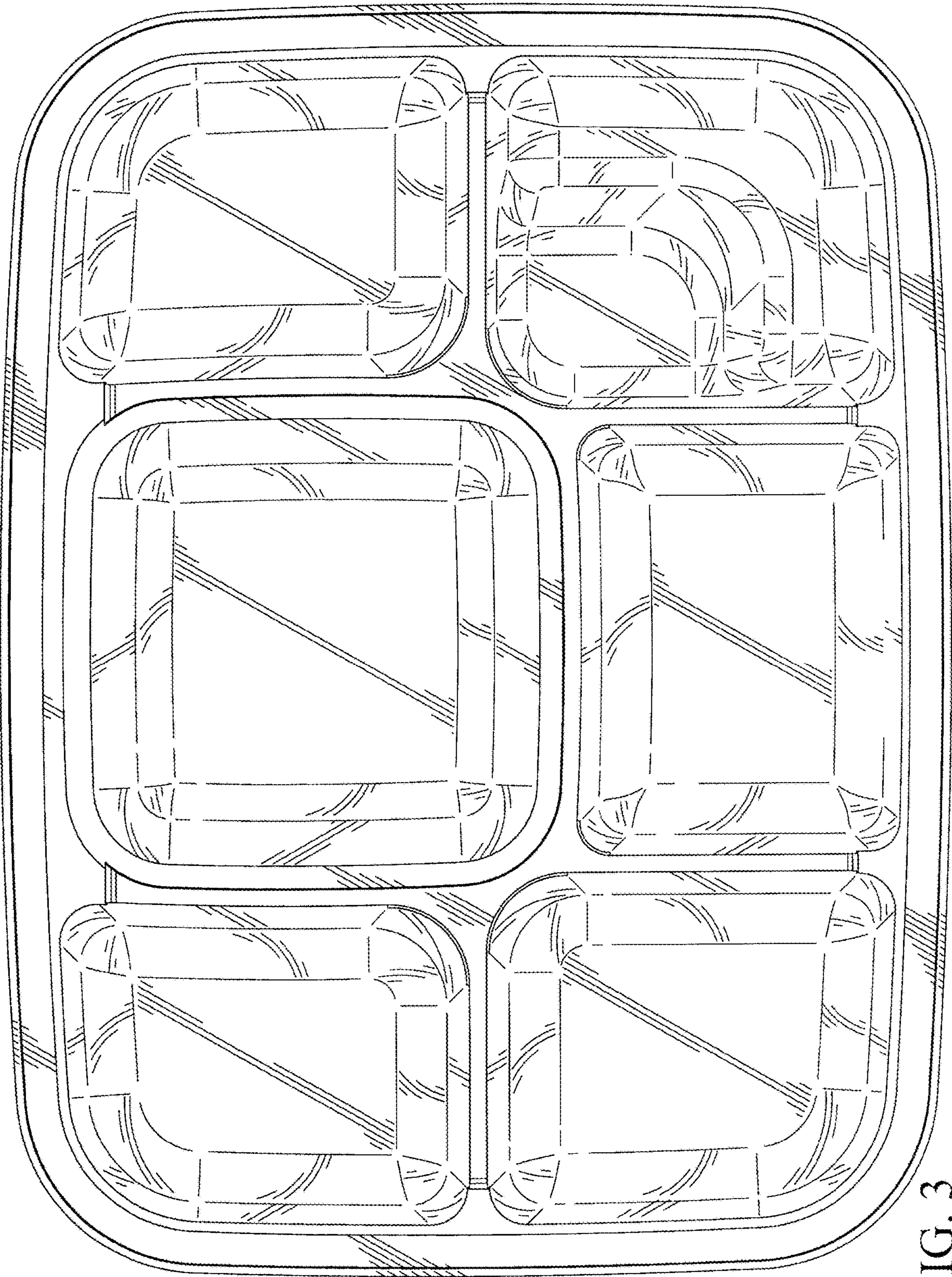


FIG. 3

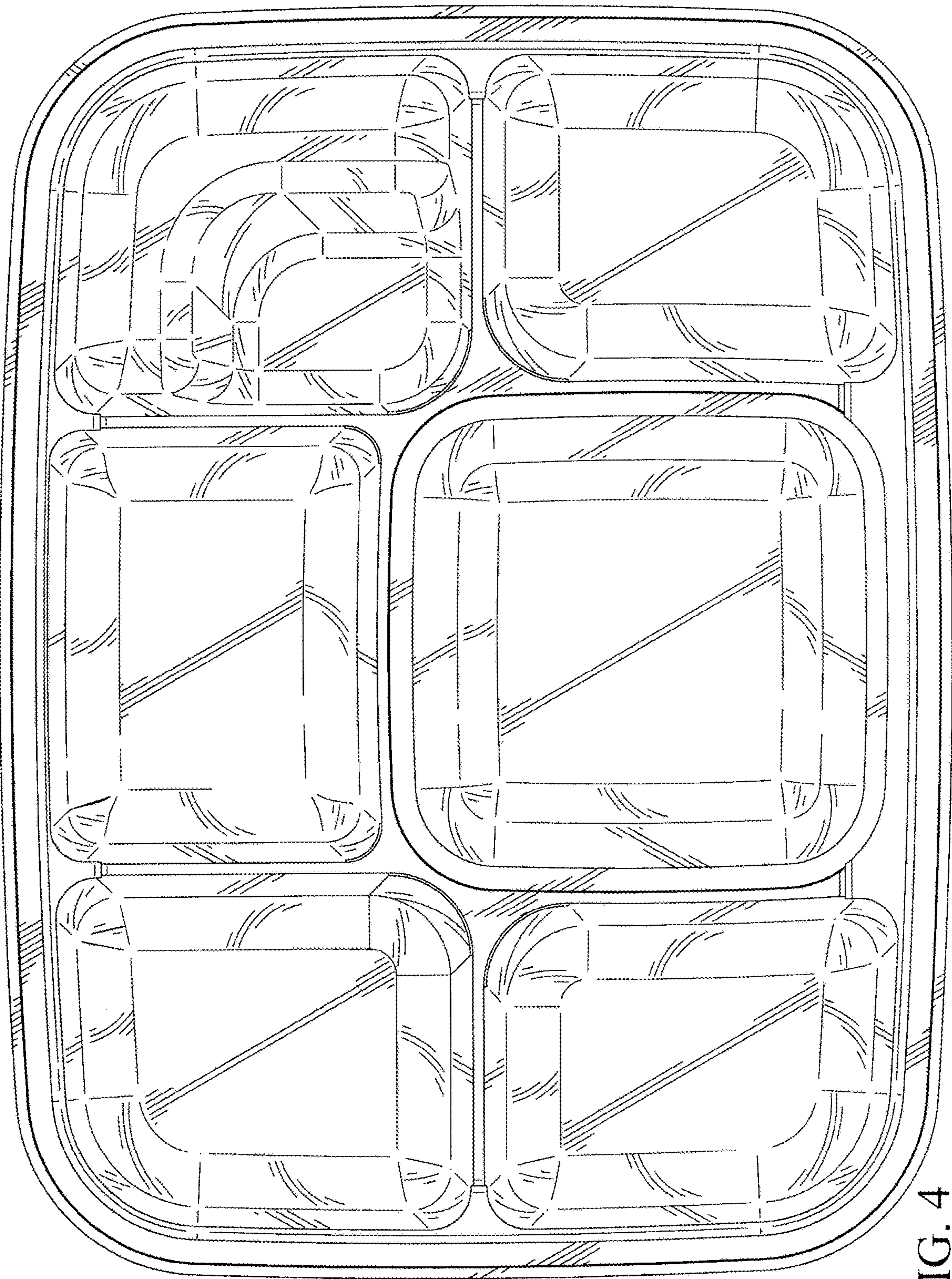


FIG. 4

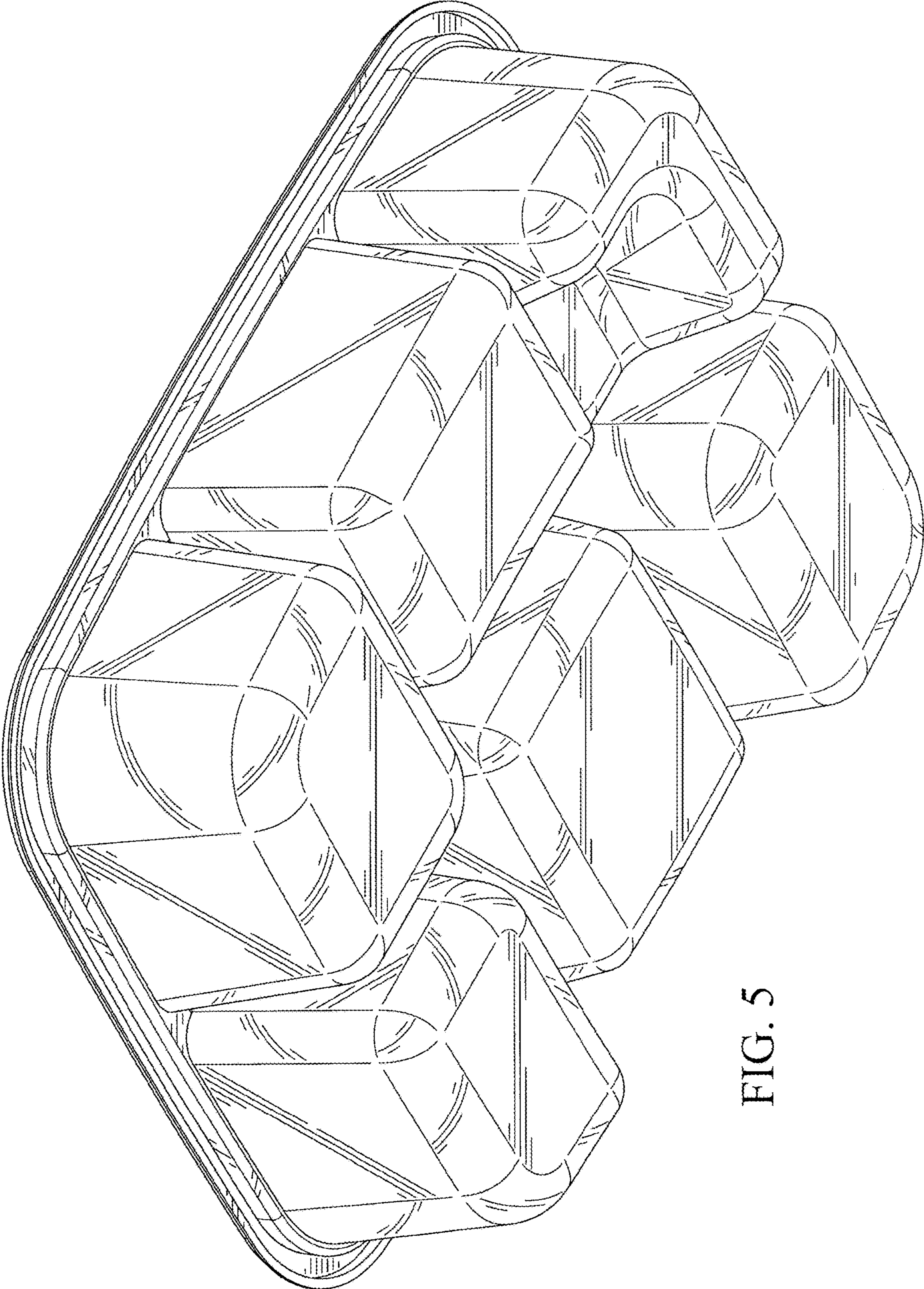


FIG. 5