



US00D893314S

(12) **United States Design Patent** (10) **Patent No.:** **US D893,314 S**
Anderson et al. (45) **Date of Patent:** **** Aug. 18, 2020**

- (54) **PACKAGING WITH A BAND**
- (71) Applicant: **Apple Inc.**, Cupertino, CA (US)
- (72) Inventors: **Alissa Anderson**, San Francisco, CA (US); **Jonathan Berk**, Mountain View, CA (US); **Margaret Madigan Burke**, Sunnyvale, CA (US); **Jack Wanderman**, San Francisco, CA (US); **Kevin Scott Fetterman**, Los Altos, CA (US)
- (73) Assignee: **Apple Inc.**, Cupertino, CA (US)
- (**) Term: **15 Years**
- (21) Appl. No.: **29/720,247**
- (22) Filed: **Jan. 10, 2020**

CPC A61B 10/0096; A61B 50/20; A61B 50/30;
A61C 2202/00; A61J 1/16; A63B 57/203;
B25H 3/003; B44D 3/125; B65D
73/0092; B65D 81/025
See application file for complete search history.

(56) **References Cited**

U.S. PATENT DOCUMENTS

2,470,370 A	5/1949	Ritter
D190,974 S	7/1961	Salis
D202,013 S	8/1965	Hamilton
3,685,648 A	8/1972	Heller
		(Continued)

OTHER PUBLICATIONS

Tactical Field OPS Watch: Rugged watch with ballistic computer (via MSM), available Apr. 2, 2007, [online], [site visited May 8, 2016]. Available from internet, <URL: <https://www.milspecmonkey.com/index.php/equipment-page/electronics/95-511-tactical-field-ops-watch-rugged-watch-with-ballistic-computer>>.
(Continued)

Related U.S. Application Data

- (63) Continuation of application No. 29/697,459, filed on Jul. 9, 2019, now Pat. No. Des. 872,578, which is a continuation of application No. 29/668,073, filed on Oct. 26, 2018, now Pat. No. Des. 856,147, which is a continuation of application No. 29/593,124, filed on Feb. 6, 2017, now Pat. No. Des. 832,103, which is a continuation of application No. 29/519,811, filed on Mar. 9, 2015, now Pat. No. Des. 778,161.

(51) **LOC (12) Cl.** **09-03**

(52) **U.S. Cl.**
USPC **D9/721**

(58) **Field of Classification Search**
USPC D9/737, 721, 748, 749, 756, 501, 414,
D9/424, 434, 455-457, 759, 715;
D3/304, 295; D7/550.1, 553.1-553.8,
D7/581, 586, 587; D24/227, 229, 230;
428/131; 229/120; 220/4.21; 206/733,
206/528, 486, 485, 427, 461, 828;
D1/106; D10/30-32

Primary Examiner — W. A. Teddy Falloway
(74) *Attorney, Agent, or Firm* — Sterne, Kessler,
Goldstein & Fox P.L.L.C.

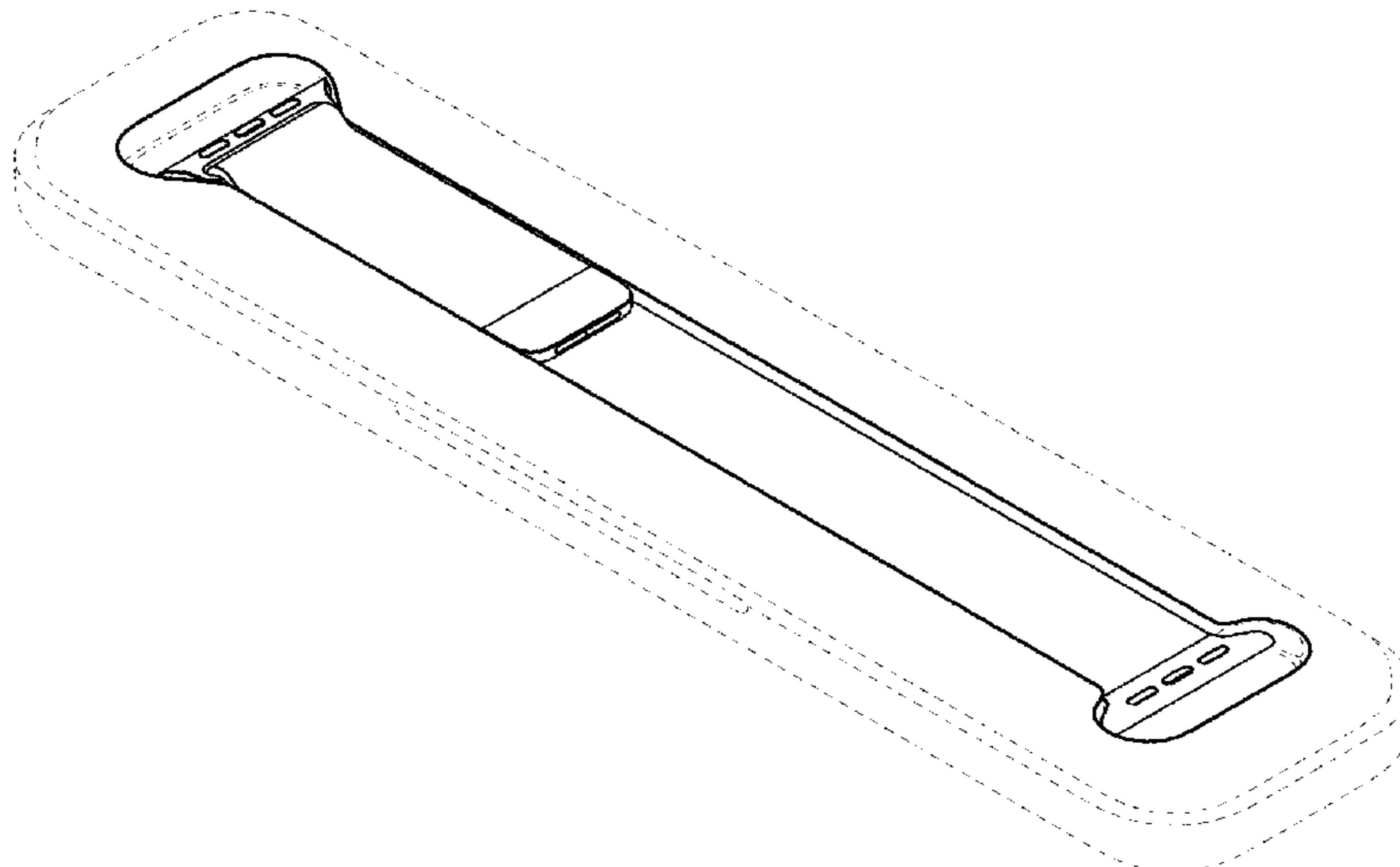
(57) **CLAIM**

The ornamental design for packaging with a band, as shown and described.

DESCRIPTION

FIG. 1 is a top front perspective view of packaging with a band showing the claimed design;
FIG. 2 is a front view thereof;
FIG. 3 is a rear view thereof;
FIG. 4 is a left side view thereof;
FIG. 5 is a right side view thereof;
FIG. 6 is a top view thereof; and,
FIG. 7 is a bottom view thereof.
The broken lines in the figures show portions of the packaging that form no part of the claimed design.

1 Claim, 4 Drawing Sheets



(56)

References Cited

U.S. PATENT DOCUMENTS

D247,425 S 3/1978 Cordell, Jr.
 D285,617 S 9/1986 Stillwagon
 D306,235 S 2/1990 Tamamura
 4,912,855 A 4/1990 Tattelbame
 D325,526 S 4/1992 Deguchi et al.
 D346,960 S 5/1994 Bennett
 D362,274 S 9/1995 Willat
 D365,754 S 1/1996 Plassier
 D369,103 S 4/1996 Plassier
 D398,527 S 9/1998 Maceachern et al.
 D406,755 S 3/1999 Garganese
 D415,022 S 10/1999 Gaudet et al.
 6,006,911 A 12/1999 Levy
 D420,586 S 2/2000 MacEachern et al.
 6,065,596 A 5/2000 Cavanagh
 D442,697 S 5/2001 Hajianpour
 6,691,905 B2 2/2004 Berdan
 D506,744 S 6/2005 Andre et al.
 D508,633 S 8/2005 Kozlowski et al.
 D511,093 S 11/2005 Keeton
 D546,127 S 7/2007 Vovan
 D551,562 S 9/2007 Considine et al.
 D558,572 S 1/2008 Andre et al.
 D572,588 S 7/2008 Osborn et al.
 D575,585 S 8/2008 Geens
 D580,752 S 11/2008 Andre et al.
 D582,267 S 12/2008 Andre et al.
 D584,142 S 1/2009 Andre et al.
 D588,000 S 3/2009 Goetz et al.
 D593,853 S 6/2009 Sorrentino et al.
 D594,347 S 6/2009 Sorrentino et al.
 D601,884 S 10/2009 Andre et al.
 D607,323 S 1/2010 Bruno et al.
 D616,738 S 6/2010 Andre et al.
 D616,741 S 6/2010 Andre et al.
 D619,352 S 7/2010 Antler
 D621,256 S 8/2010 Andre et al.
 D634,983 S 3/2011 Chen
 D648,630 S 11/2011 Doster
 8,104,615 B2 1/2012 Liu
 D655,165 S 3/2012 Jensen et al.
 D658,492 S 5/2012 Akana et al.
 D659,530 S 5/2012 Akana et al.
 D660,723 S 5/2012 Akana et al.
 D668,143 S 10/2012 Akana et al.
 D672,191 S 12/2012 Hollinger
 D677,563 S 3/2013 Andre et al.
 D685,654 S 7/2013 Akana et al.
 D688,027 S 8/2013 Smith et al.
 D692,279 S 10/2013 Chen
 D695,632 S 12/2013 Akana et al.
 D702,547 S 3/2014 Akana et al.
 D706,643 S 6/2014 Akana et al.
 D708,761 S 7/2014 Smeja
 D708,762 S 7/2014 Smeja
 D712,279 S 9/2014 Akana et al.
 D712,748 S 9/2014 Akana et al.
 D713,738 S 9/2014 Akana et al.
 D713,739 S 9/2014 Akana et al.

D713,740 S 9/2014 Akana et al.
 D720,696 S 1/2015 Huang
 D746,595 S 1/2016 Wax
 D748,498 S 2/2016 Pipes et al.
 D750,940 S 3/2016 Zalewski
 D764,285 S 8/2016 Akana et al.
 D764,293 S 8/2016 Wang
 D764,910 S 8/2016 Akana et al.
 D774,899 S 12/2016 Tang et al.
 D778,161 S 2/2017 Anderson et al.
 D779,932 S 2/2017 Delle Cese et al.
 D789,800 S * 6/2017 Cernokus D9/737
 D790,964 S 7/2017 Akana et al.
 D793,856 S 8/2017 Akana et al.
 D797,383 S 9/2017 Peninger
 D800,549 S 10/2017 Delle Cese et al.
 D802,414 S 11/2017 Delle Cese et al.
 10,081,485 B2 9/2018 Cernokus et al.
 D830,169 S 10/2018 Akana et al.
 D832,103 S 10/2018 Anderson et al.
 D856,147 S 8/2019 Anderson et al.
 D861,497 S * 10/2019 Cernokus D9/721
 D869,323 S * 12/2019 Akana D11/94
 D872,578 S * 1/2020 Anderson D9/456
 2002/0074255 A1 6/2002 Lee
 2003/0230512 A1 12/2003 Yeh
 2004/0108236 A1 6/2004 Reed et al.
 2006/0215978 A1 9/2006 Choy et al.
 2012/0080351 A1 4/2012 Takahashi et al.
 2015/0231033 A1 8/2015 Agren
 2016/0064993 A1 3/2016 Fetterman et al.

OTHER PUBLICATIONS

FoamFit Tools, available Jan. 8, 2012, [online], [site visited Nov. 4, 2016]. Available from internet, <URL: <http://www.foamfittools.com/>>.
 “Six beautifully-designed watch boxes worth holding onto” (via dezeenWatchstore), available Aug. 8, 2014, [online], [site visited Nov. 2, 2016]. Available from internet, <URL: <https://www.dezeenwatchstore.com/blog/2014/08/six-watch-boxes-worth-holding-onto/>>.
 “Hands-on: Apple Watch standalone bands, packaging, & swapping” (via 9TO5Mac), available May 8, 2015, [online], [site visited May 8, 2016]. Available from internet, <URL: <http://9to5mac.com/2015/05/08/hands-on-apple-watch-standalone-band-packaging-swapping/>>.
 Unboxing Monowear Leather Bands (YouTube), available Oct. 24, 2015, [online], [site visited Nov. 4, 2016]. Video available from internet, <URL: <https://www.youtube.com/watch?v=WsJ10Bhzmyo>>.
 MonoChest Apple Watch Case and Apple Watch Bands (YouTube), available Feb. 19, 2016, [online], [site visited Nov. 4, 2016]. Video available from internet, <URL: <https://www.youtube.com/watch?v=VFIM99-DF3s>>.
 Review. Mintapple Limited Edition Genuine Crocodile Leather Apple Watch Strap (via SuperPhen’s Tech Blog), available May 22, 2016, [online], [site visited Nov. 2, 2016]. Available from internet, <URL: <https://superphen.co/2016/05/22/review-mintapple-limited-edition-genuine-crocodile-leather-apple-watch-strap/>>.

* cited by examiner

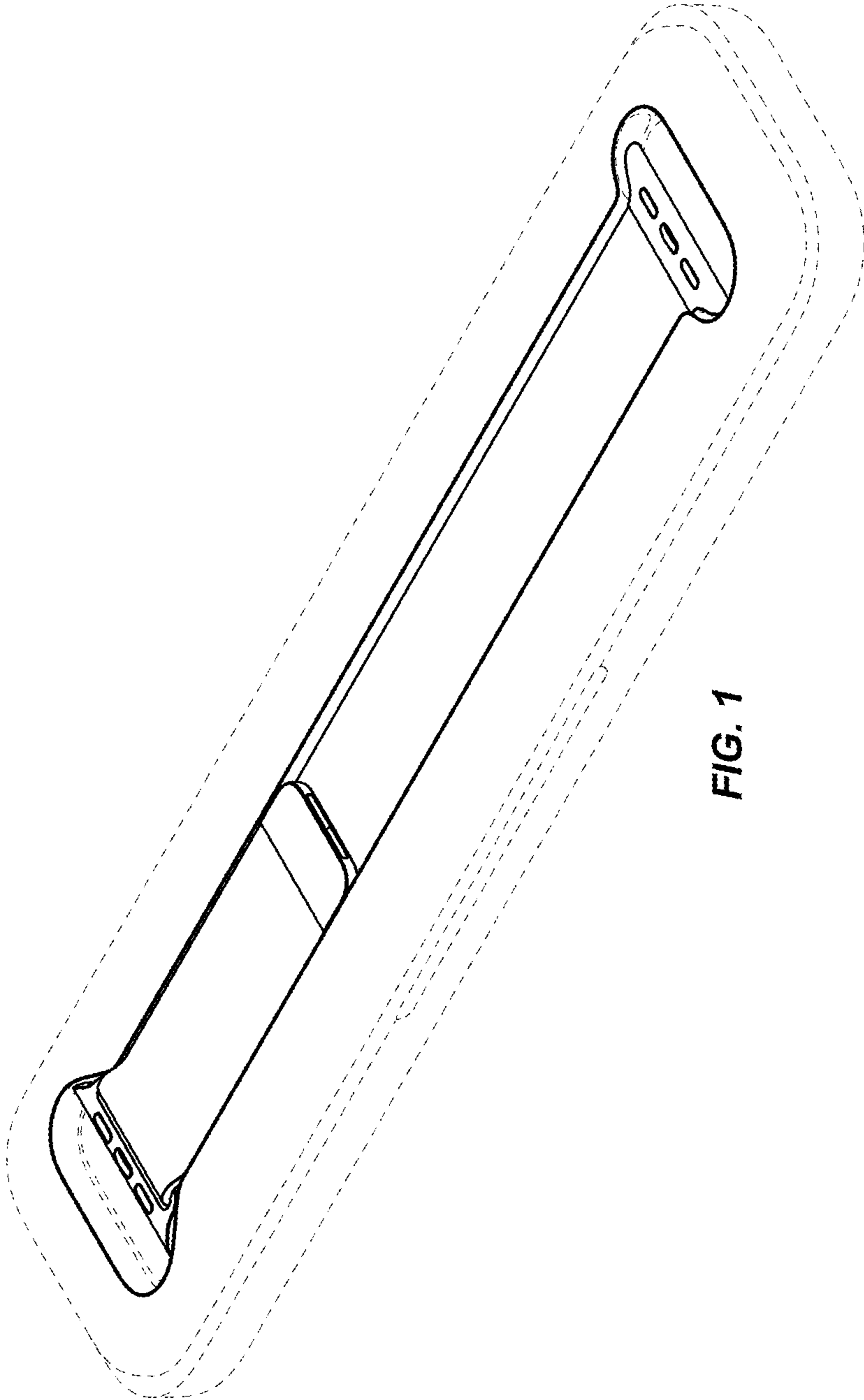


FIG. 1

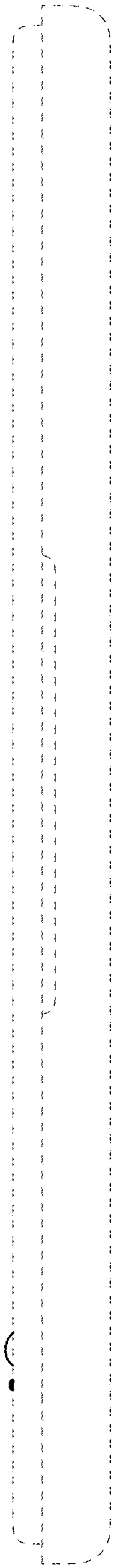


FIG. 2

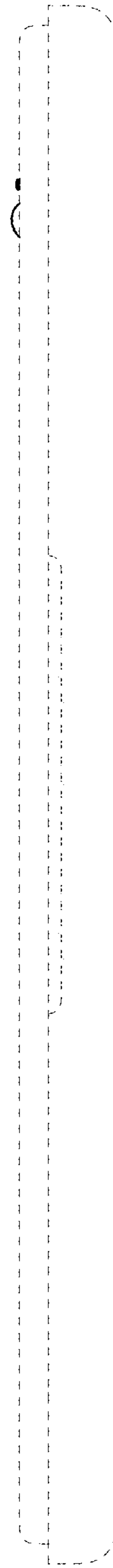


FIG. 3

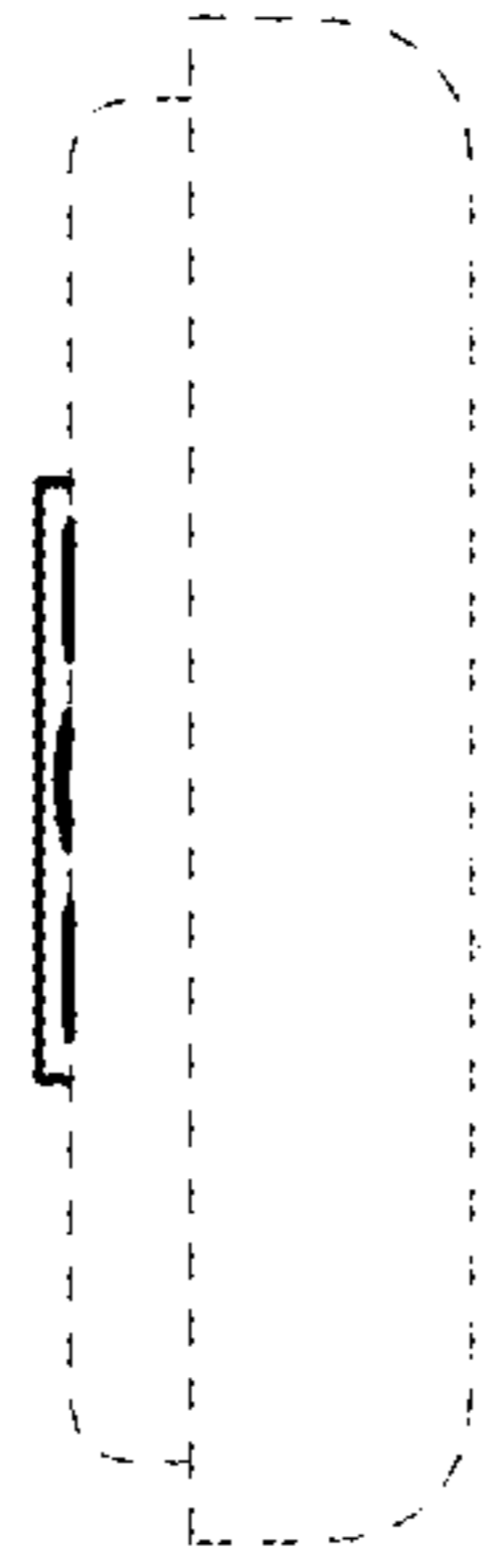


FIG. 5

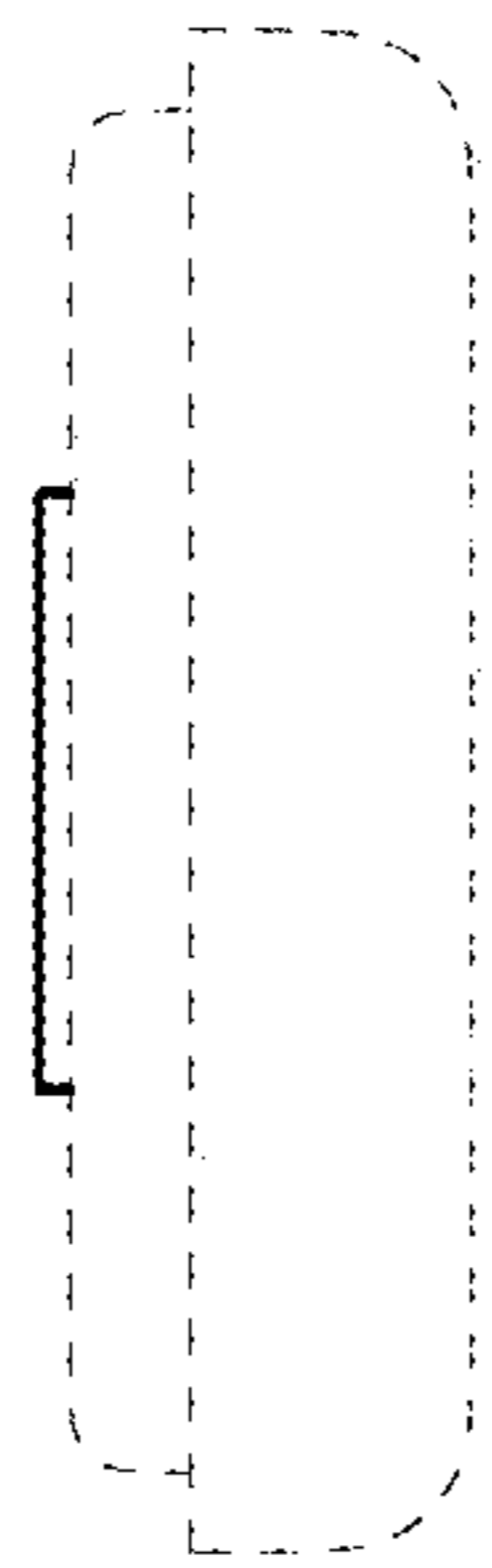


FIG. 4

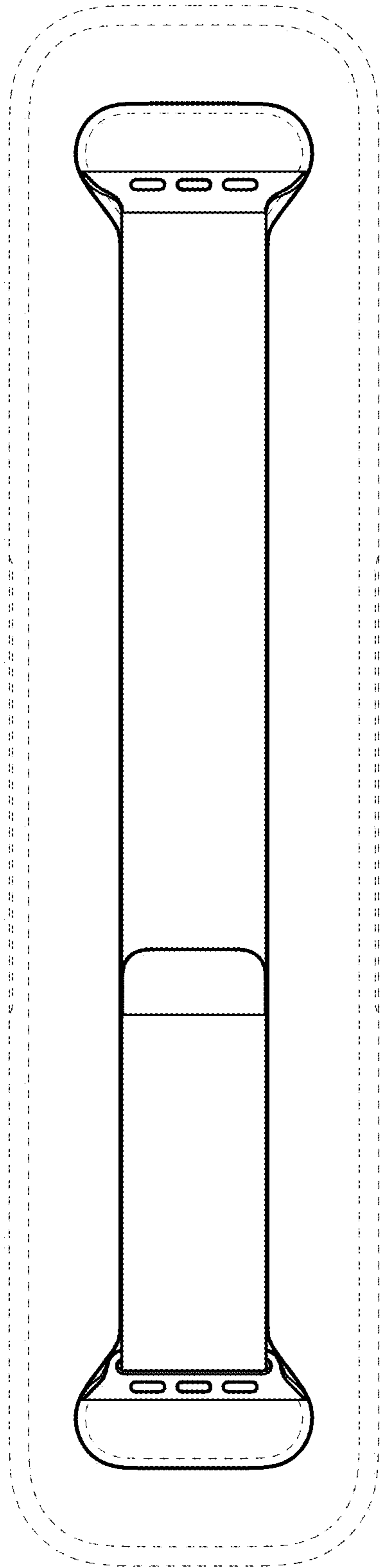


FIG. 6

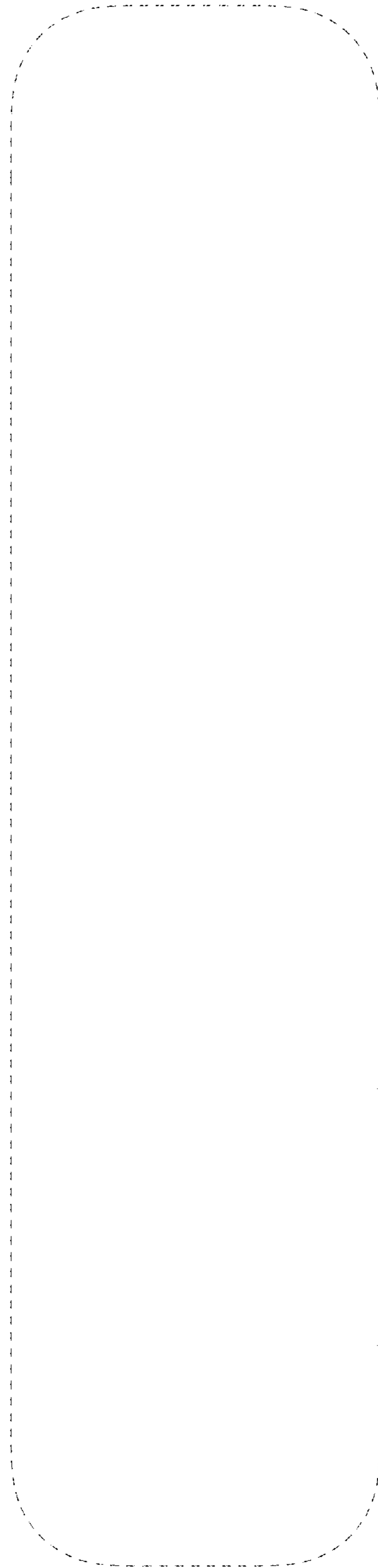


FIG. 7