



US00D893306S

(12) **United States Design Patent** (10) **Patent No.:** **US D893,306 S**
Cartis et al. (45) **Date of Patent:** **** Aug. 18, 2020**

(54) **BOTTLE**
(71) Applicant: **PepsiCo, Inc.**, Purchase, NY (US)
(72) Inventors: **Emilian Dan Cartis**, London (GB);
Philippe Leys, Oostduinkerke (BE);
Ted Murphy, Cork (IE); **Denis O’Callaghan**, Cork (IE); **Neil Martin Baron**, London (GB); **Adam David George Frost**, London (GB)

D119,303 S 3/1940 Deletzke
D139,331 S * 10/1944 Teunisz D9/560
D205,797 S * 9/1966 Lee D9/541
D233,828 S 12/1974 Leary
D236,587 S 9/1975 Krefa
D322,213 S 12/1991 Maginnis, Jr.
D352,461 S 11/1994 Flanagan et al.
D425,793 S 5/2000 Walker
(Continued)

(73) Assignee: **PepsiCo, Inc.**, Purchase, NY (US)
(**) Term: **15 Years**

EM 000854666-0001 1/2008
EM 001095350-0003 2/2009
(Continued)

(21) Appl. No.: **29/677,328**

FOREIGN PATENT DOCUMENTS

(22) Filed: **Jan. 18, 2019**

(51) **LOC (12) Cl.** **09-01**

(52) **U.S. Cl.**

USPC **D9/560; D9/575**

(58) **Field of Classification Search**

USPC D9/434, 505, 516, 540, 550, 560, 668,
D9/670, 681, 687, 694, 700, 537, 538,
D9/500, 520, 539, 503, 558, 690, 552,
D9/556, 530, 541, 522, 448, 566, 454,
D9/542, 559, 574, 546; D7/500–506,
D7/508–524

CPC .. B65D 1/0223; B65D 83/205; B65D 83/206;
B65D 2501/0081; B65D 79/005; B65D
2501/0036; B65D 1/0276; B65D 1/0284;
Y10S 220/906; B29L 2031/7158; B29B
2911/14026; B29C 49/06; B29C 49/0005

See application file for complete search history.

(56) **References Cited**

U.S. PATENT DOCUMENTS

D17,515 S * 8/1887 Dailey, Jr. D9/546
D29,673 S 11/1898 Nightingale
D56,983 S 1/1921 Lewis
D103,987 S 4/1937 Ennever

OTHER PUBLICATIONS

Judy Clear Glass Quadra Bottles, May 12, 2015, Amazon.com, Amazon Review Post, <https://www.amazon.com/Clear-Glass-Quadra-Bottles-250ml/dp/B00P1KC27S?th=1> (Year: 2015).*

Primary Examiner — Brett Miller

Assistant Examiner — Rani J Abdallah

(74) *Attorney, Agent, or Firm* — Sterne, Kessler, Goldstein & Fox P.L.L.C.

(57) **CLAIM**

The ornamental design for a bottle, as shown and described.

DESCRIPTION

FIG. 1 is a top front perspective view of a bottle showing the claimed design;

FIG. 2 is a bottom rear perspective view thereof

FIG. 3 is a front view thereof;

FIG. 4 is a rear view thereof;

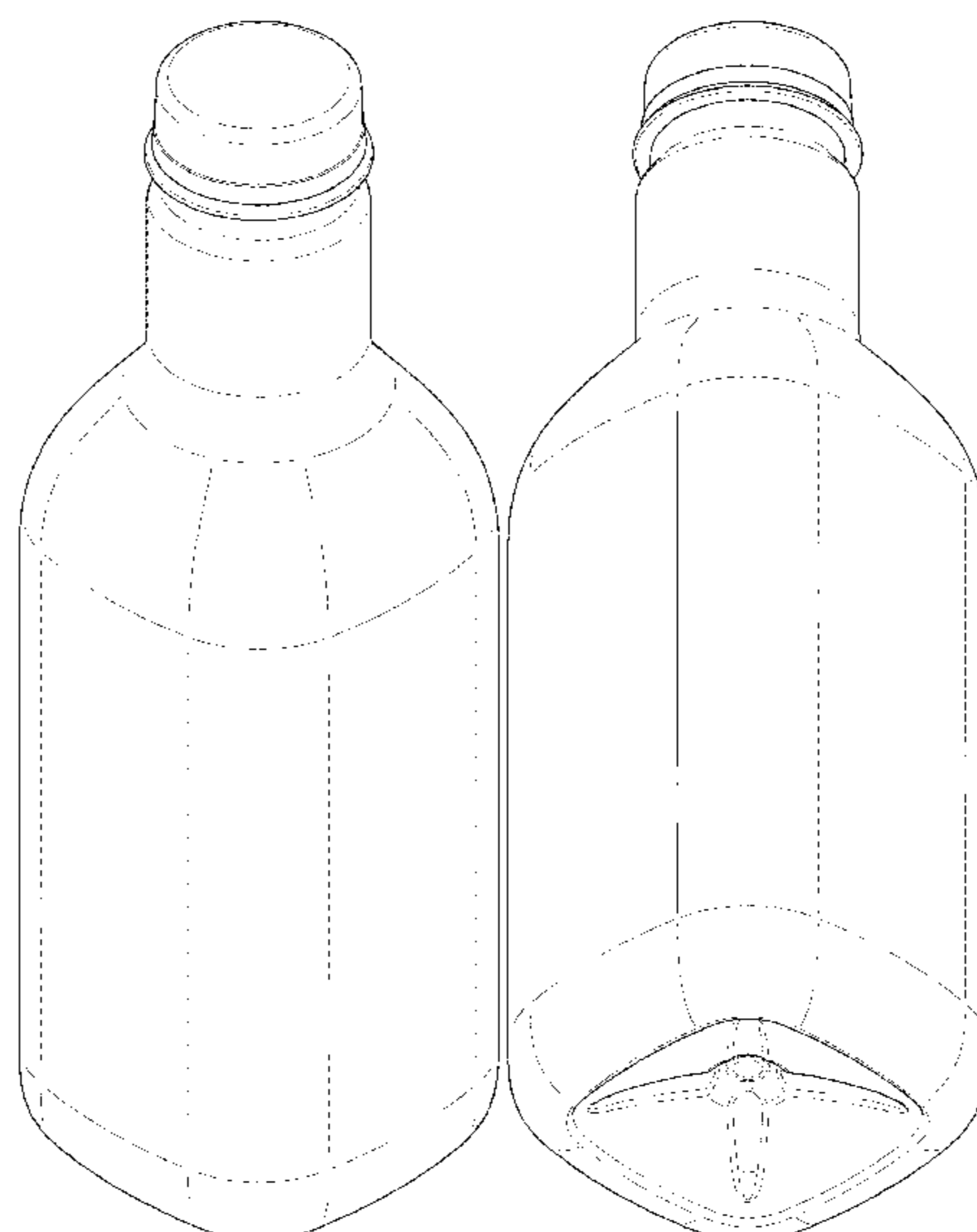
FIG. 5 is a left side view thereof;

FIG. 6 is a right side view thereof;

FIG. 7 is a top view thereof; and,

FIG. 8 is a bottom view thereof.

1 Claim, 7 Drawing Sheets



(56)

References Cited

U.S. PATENT DOCUMENTS

D456,272 S 4/2002 Sadeghi et al.
 D458,146 S 6/2002 Sadeghi et al.
 D488,060 S 4/2004 Yourist
 D491,068 S 6/2004 Heliste et al.
 6,997,336 B2 2/2006 Yourist et al.
 D569,261 S 5/2008 Sequiera
 D594,331 S 6/2009 Herb et al.
 D594,748 S 6/2009 Herb et al.
 D596,488 S 7/2009 Chupak
 D596,942 S 7/2009 Britto
 D624,823 S 10/2010 Brown
 D646,178 S * 10/2011 Barber D9/560
 D656,405 S * 3/2012 Byron D9/560
 D664,857 S 8/2012 Finlay et al.
 D666,918 S 9/2012 Finlay et al.
 D691,893 S 10/2013 Finlay et al.
 D719,455 S * 12/2014 Perez-Cabrera D9/559

D756,234 S * 5/2016 Orset D9/560
 D779,335 S * 2/2017 Chia D9/560
 D798,725 S * 10/2017 Stoiber D9/560
 D802,434 S * 11/2017 Thompson D9/560
 D811,231 S * 2/2018 Thompson D9/560
 D815,952 S * 4/2018 Chung D9/560
 D830,187 S * 10/2018 Oesch, Jr. D9/560
 D838,182 S * 1/2019 Landis D9/560
 D846,400 S * 4/2019 Bush D9/560
 D847,655 S * 5/2019 Lee D9/560
 D849,551 S * 5/2019 Kelley D9/560

FOREIGN PATENT DOCUMENTS

EM 001133052-0003 4/2009
 EM 001216568-0019 5/2010
 EM 001817024-0003 2/2011
 EM 002093708-0006 8/2012
 GB 4010479 7/2009
 * cited by examiner

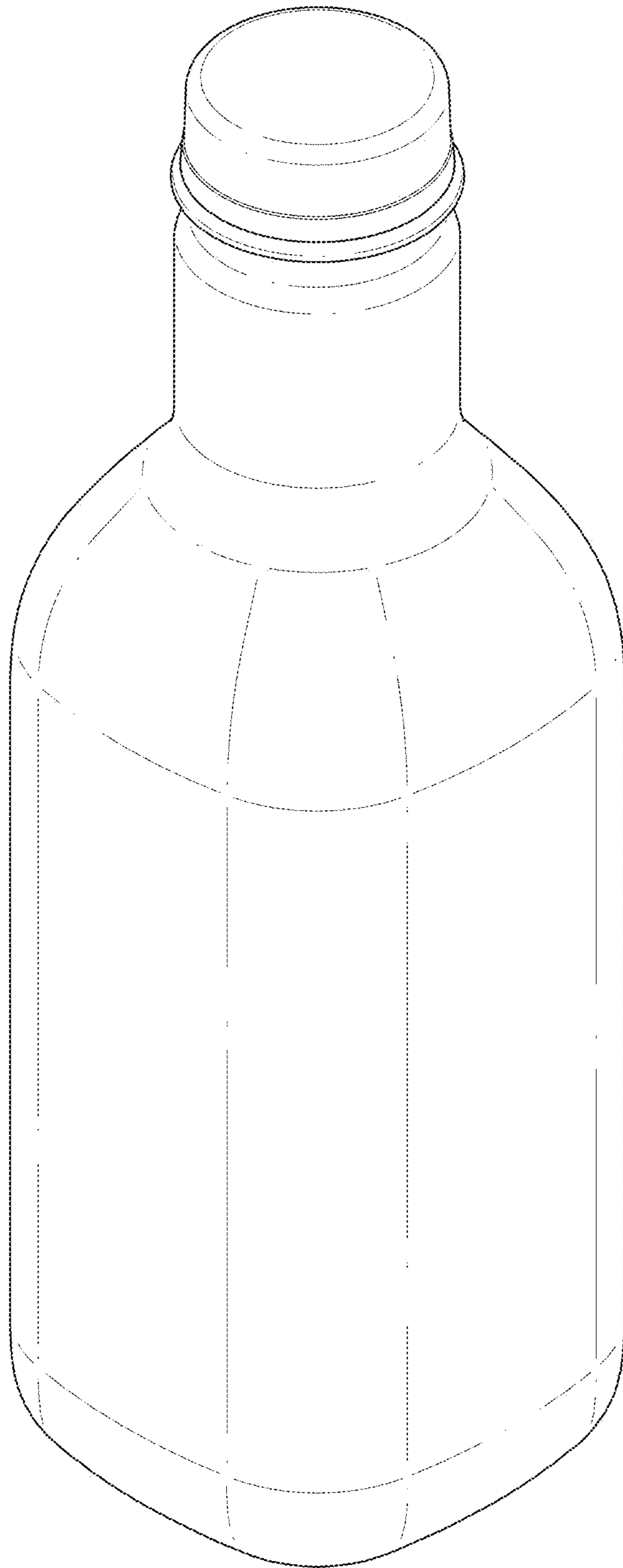


FIG. 1

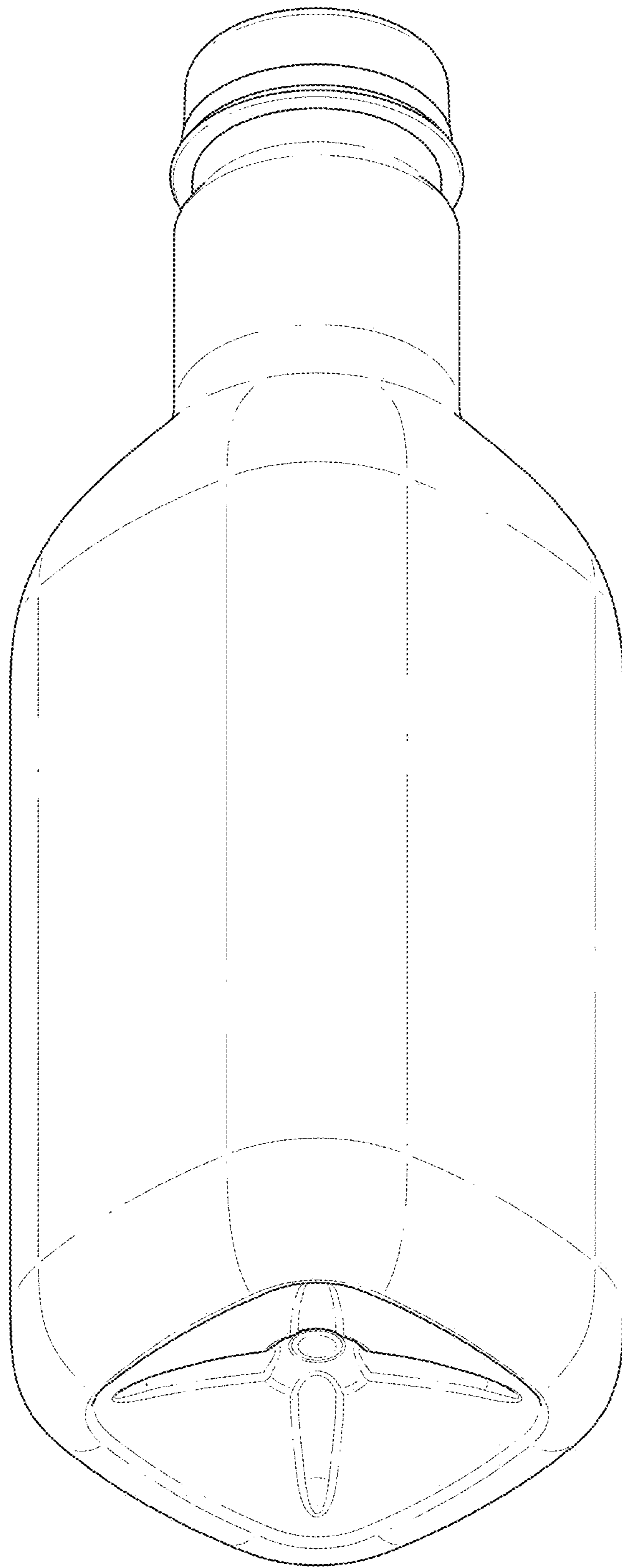


FIG. 2

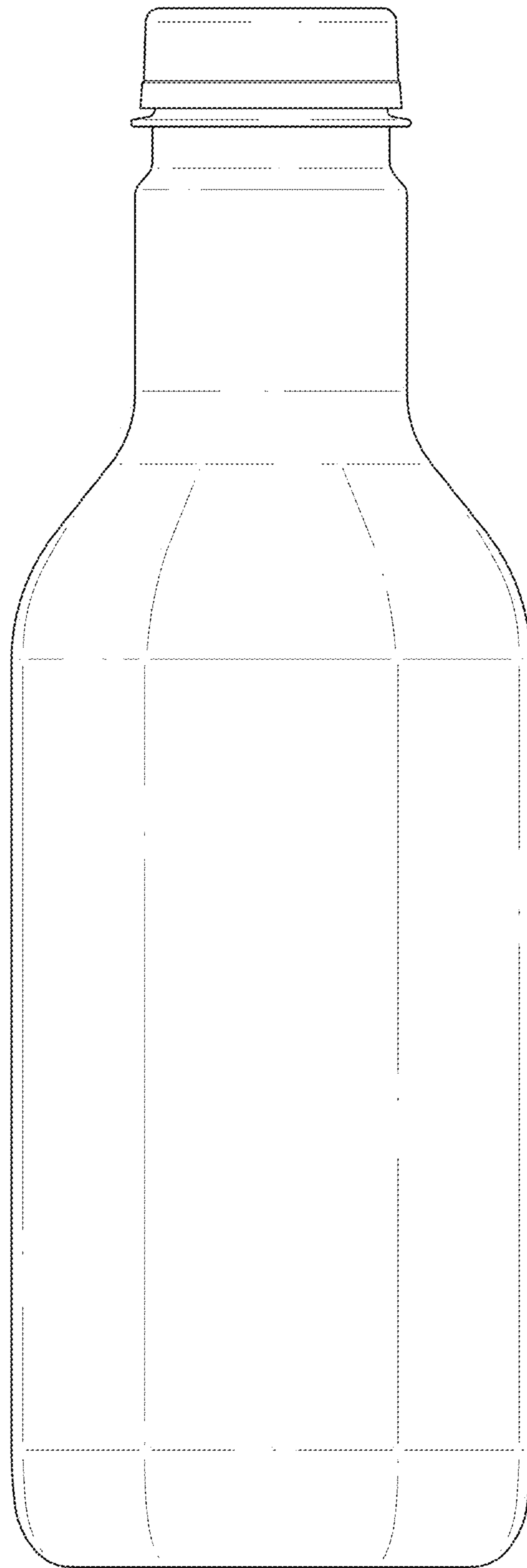


FIG. 3

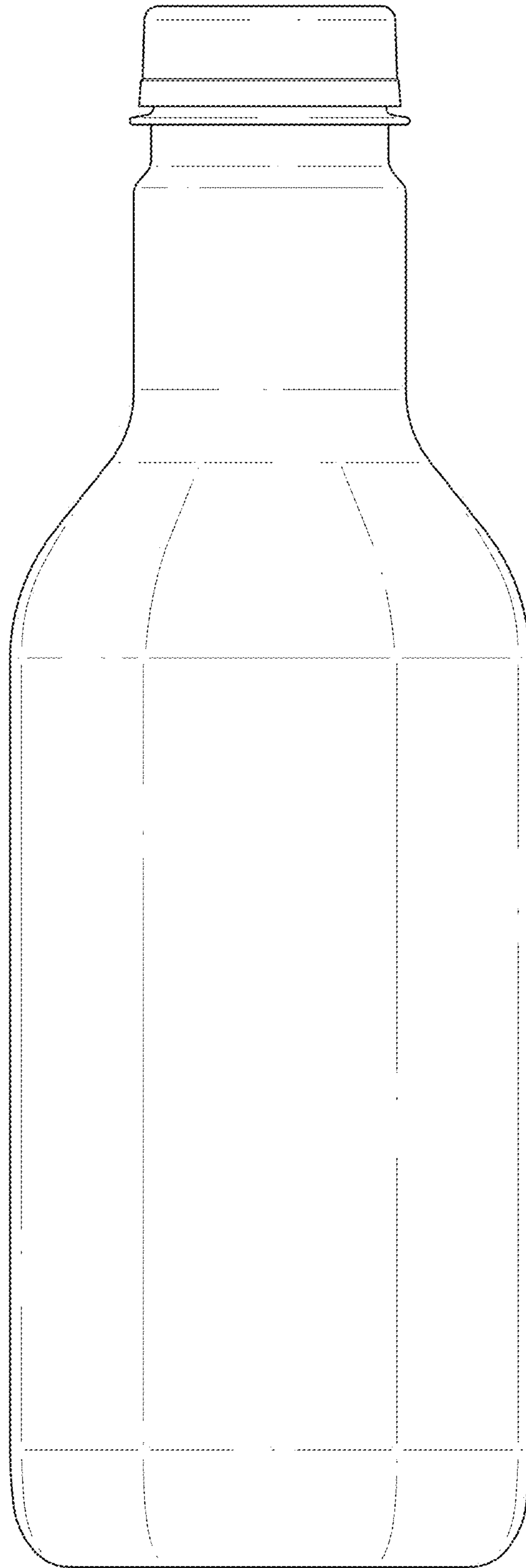


FIG. 4

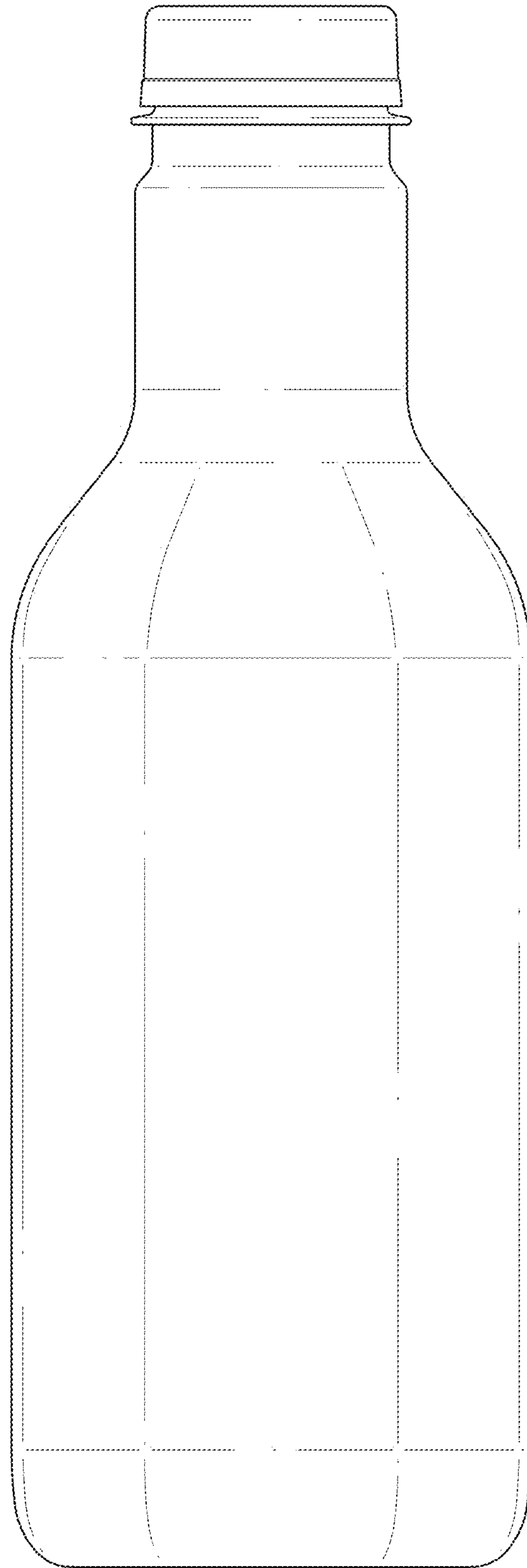


FIG. 5

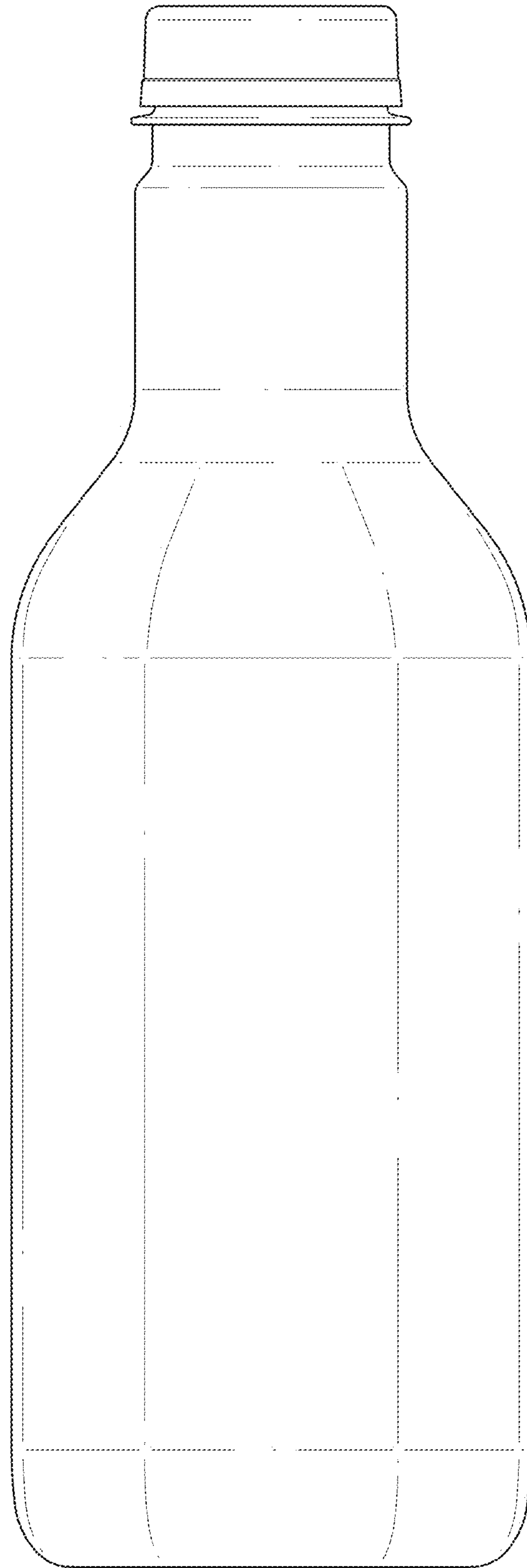


FIG. 6

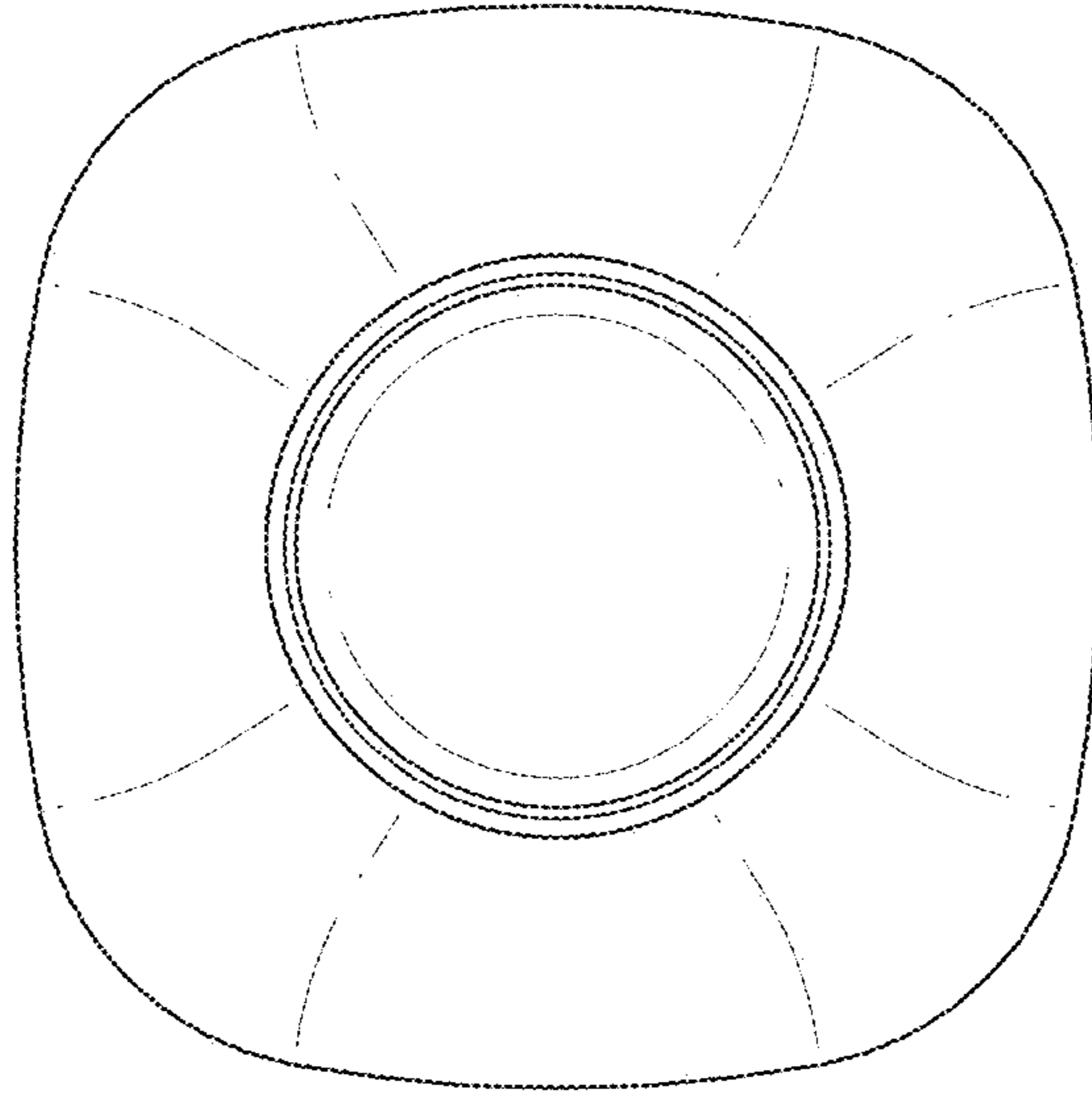


FIG. 7

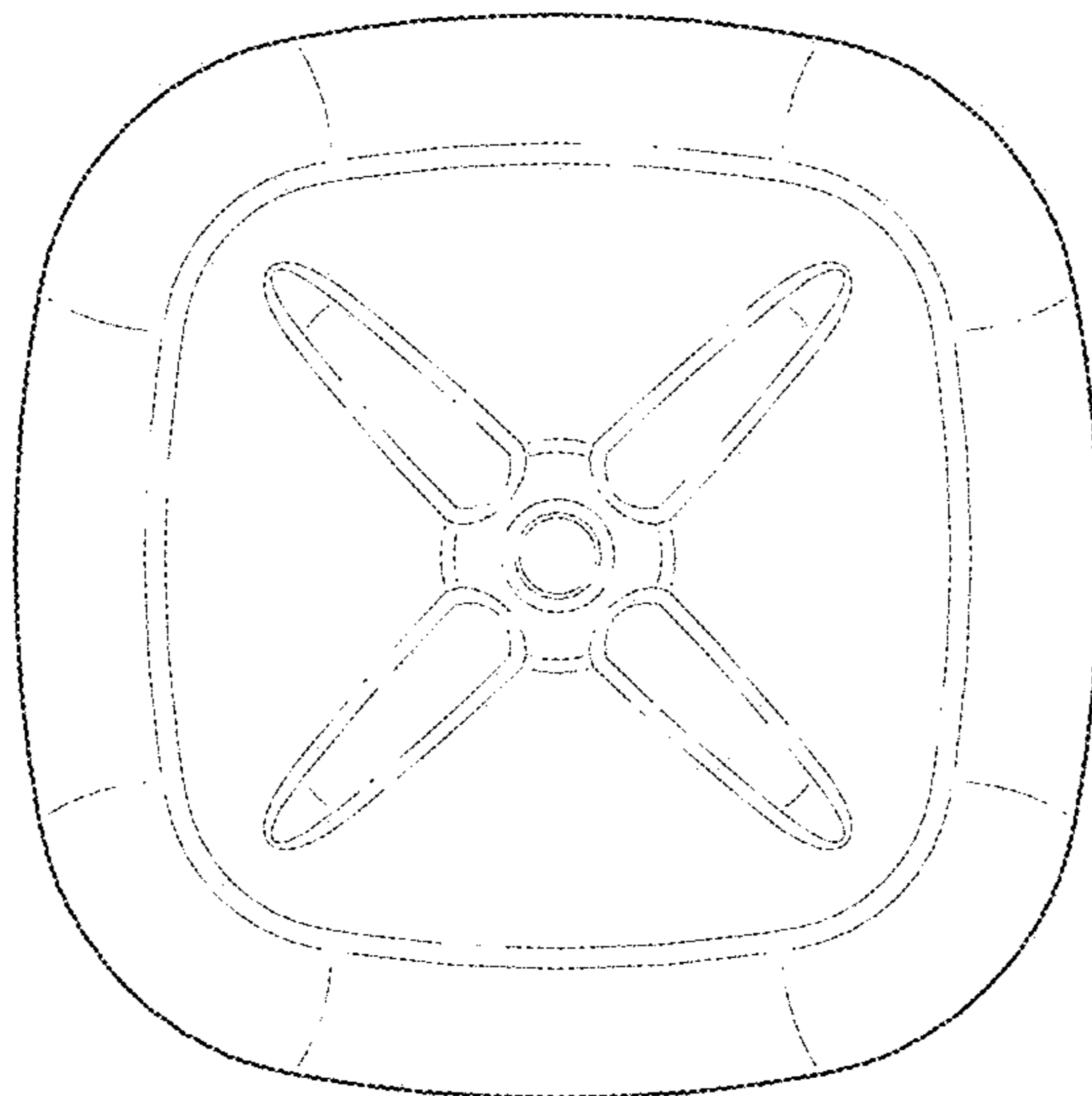


FIG. 8