



US00D893305S

(12) **United States Design Patent**  
**Cartis et al.**

(10) **Patent No.:** **US D893,305 S**

(45) **Date of Patent:** **\*\* Aug. 18, 2020**

(54) **BOTTLE**

(71) Applicant: **PepsiCo, Inc.**, Purchase, NY (US)

(72) Inventors: **Emilian Dan Cartis**, London (GB);  
**Balazs Kovacs**, London (GB); **Philippe Leys**, Oostduinkerke (BE); **Ted Murphy**, Cork (IE); **Denis O’Callaghan**, Cork (IE); **Emma Caselton**, London (GB)

(73) Assignee: **PepsiCo, Inc.**, Purchase, NY (US)

(\*\*) Term: **15 Years**

(21) Appl. No.: **29/677,327**

(22) Filed: **Jan. 18, 2019**

(51) **LOC (12) Cl.** ..... **09-01**

(52) **U.S. Cl.**

USPC ..... **D9/560**; D9/575

(58) **Field of Classification Search**

USPC ..... D9/434, 505, 516, 540, 550, 560, 668,  
D9/670, 681, 687, 694, 700, 537, 538,  
D9/500, 520, 539, 503, 558, 690, 552,  
D9/556, 530, 541, 522, 448, 566, 454,  
D9/542, 559, 574; D7/500–506, 508–524  
CPC .. B65D 1/0223; B65D 83/205; B65D 83/206;  
B65D 2501/0081; B65D 79/005; B65D  
2501/0036; B65D 1/0276; B65D 1/0284;  
Y10S 220/906; B29L 2031/7158; B29B  
2911/14026; B29C 49/06; B29C 49/0005  
See application file for complete search history.

(56) **References Cited**

**U.S. PATENT DOCUMENTS**

D29,673 S 11/1898 Nightingale  
D56,983 S 1/1921 Lewis  
D103,987 S 4/1937 Ennever  
D119,303 S 3/1940 Deletzke

D132,180 S \* 4/1942 Ireys ..... D9/560  
D208,953 S \* 10/1967 Belcher ..... D9/538  
D233,828 S 12/1974 Leary  
D236,587 S 9/1975 Krefa  
D266,741 S 11/1982 Cox  
D322,213 S 12/1991 Maginnis, Jr.  
D352,461 S 11/1994 Flanagan et al.  
D423,366 S 4/2000 Gans  
D425,793 S 5/2000 Walker  
D426,161 S \* 6/2000 Hestehave ..... D9/520  
D426,469 S 6/2000 Mankowski et al.  
D435,455 S 12/2000 Gans  
D455,656 S 4/2002 Gans et al.  
D456,272 S 4/2002 Sadeghi et al.  
D458,146 S 6/2002 Sadeghi et al.

(Continued)

**FOREIGN PATENT DOCUMENTS**

BR 302012000578-7 3/2013  
CN 304248438 \* 8/2017

(Continued)

*Primary Examiner* — Brett Miller

*Assistant Examiner* — Rani J Abdallah

(74) *Attorney, Agent, or Firm* — Sterne, Kessler,  
Goldstein & Fox P.L.L.C.

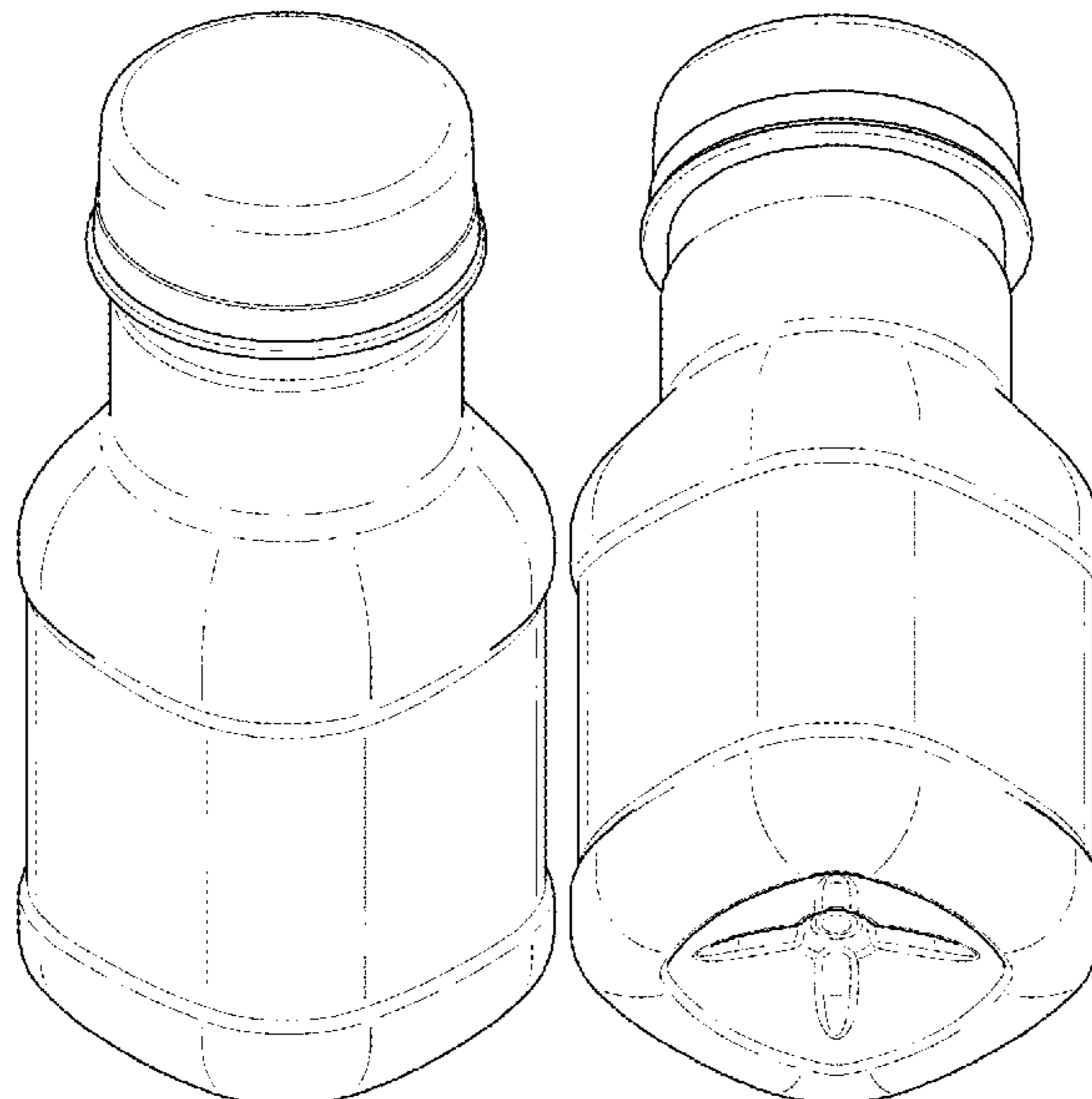
(57) **CLAIM**

The ornamental design for a bottle, as shown and described.

**DESCRIPTION**

FIG. 1 is a top front perspective view of a bottle showing the claimed design;  
FIG. 2 is a bottom rear perspective view thereof;  
FIG. 3 is a front view thereof;  
FIG. 4 is a rear view thereof;  
FIG. 5 is a left side view thereof;  
FIG. 6 is a right side view thereof;  
FIG. 7 is a top view thereof; and,  
FIG. 8 is a bottom view thereof.

**1 Claim, 7 Drawing Sheets**



(56)

**References Cited**

U.S. PATENT DOCUMENTS

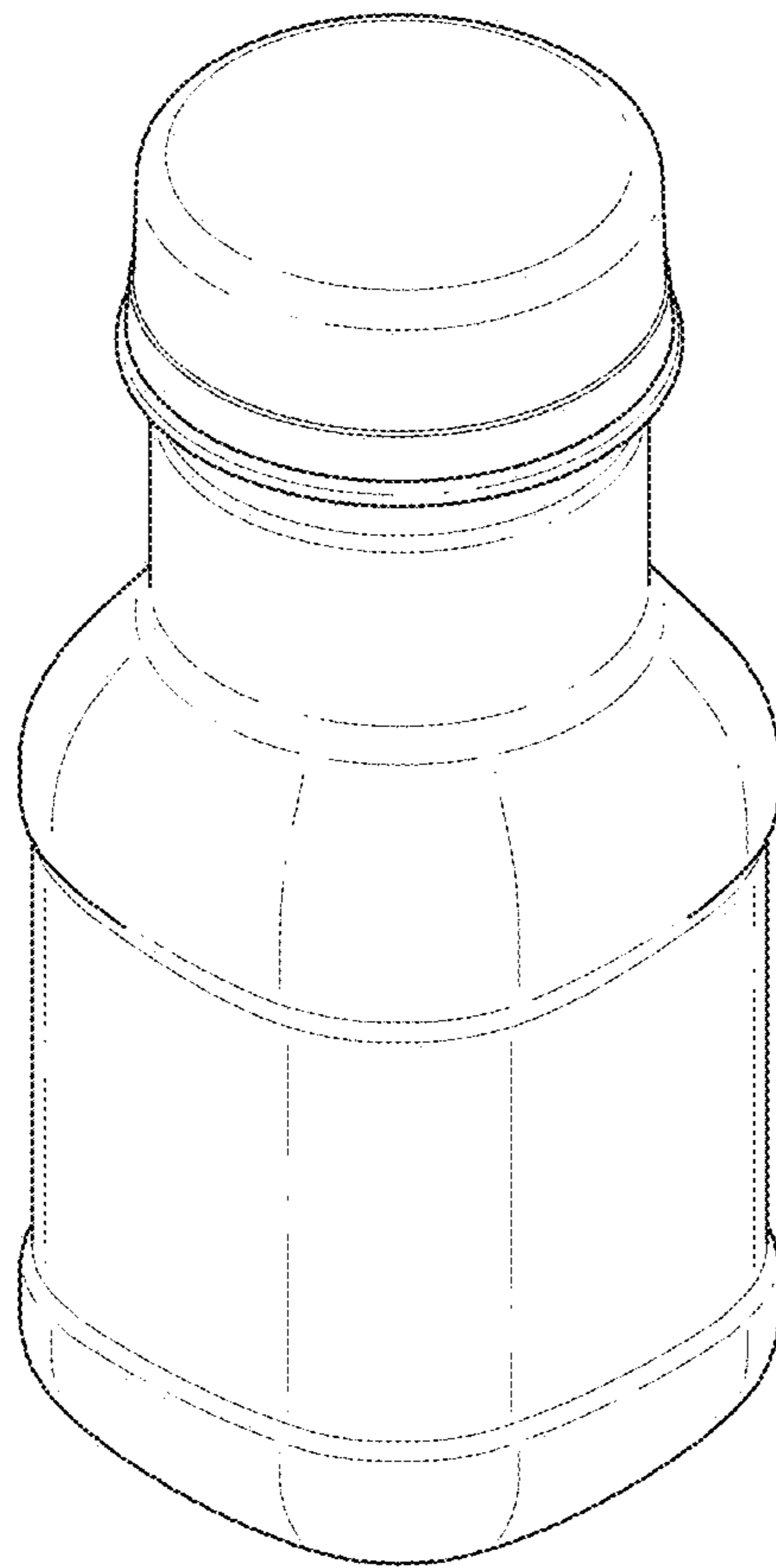
D465,418 S 11/2002 Thierjung  
 D468,645 S 1/2003 Nelson et al.  
 D470,058 S 2/2003 Bryant et al.  
 D471,466 S \* 3/2003 Nelson ..... D9/560  
 D481,640 S \* 11/2003 Biesecker ..... D9/560  
 D482,978 S \* 12/2003 Nelson ..... D9/560  
 D488,060 S 4/2004 Yourist  
 D491,068 S 6/2004 Heliste et al.  
 D503,620 S \* 4/2005 Taylor ..... D9/518  
 6,997,336 B2 2/2006 Yourist et al.  
 D539,159 S 3/2007 Slat et al.  
 D542,668 S 5/2007 Arthur et al.  
 D569,261 S 5/2008 Sequiera  
 D594,331 S 6/2009 Herb et al.  
 D594,748 S 6/2009 Herb et al.  
 D596,488 S 7/2009 Chupak  
 D596,942 S 7/2009 Britto  
 7,673,764 B2 3/2010 Sabold  
 D624,823 S 10/2010 Brown  
 D655,179 S 3/2012 Kraft et al.

D656,405 S \* 3/2012 Byron ..... D9/560  
 D664,857 S 8/2012 Finlay et al.  
 D666,918 S 9/2012 Finlay et al.  
 D691,893 S 10/2013 Finlay et al.  
 D736,641 S \* 8/2015 Manne ..... D9/560  
 D802,434 S \* 11/2017 Thompson ..... D9/560  
 D811,231 S \* 2/2018 Thompson ..... D9/560  
 D815,952 S \* 4/2018 Chung ..... D9/560  
 D830,187 S \* 10/2018 Oesch, Jr. .... D9/560  
 D847,655 S \* 5/2019 Lee ..... D9/560

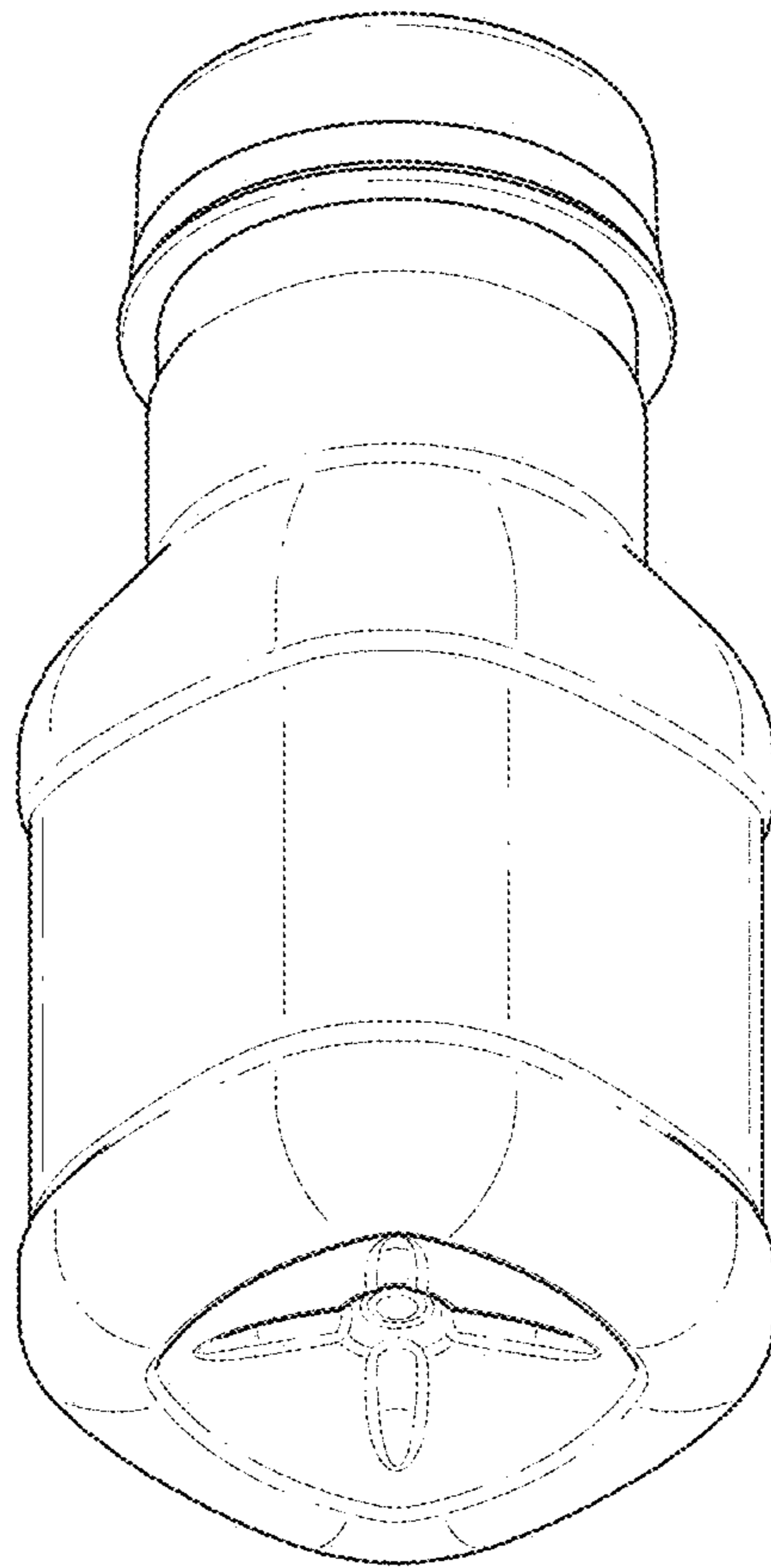
FOREIGN PATENT DOCUMENTS

CN 304304842 \* 10/2017  
 CN 304448551 \* 1/2018  
 EM 000854666-0001 1/2008  
 EM 001095350-0003 2/2009  
 EM 001133052-0003 4/2009  
 EM 001216568-0019 5/2010  
 EM 001817024-0003 2/2011  
 EM 002093708-0006 8/2012  
 GB 4010479 7/2009

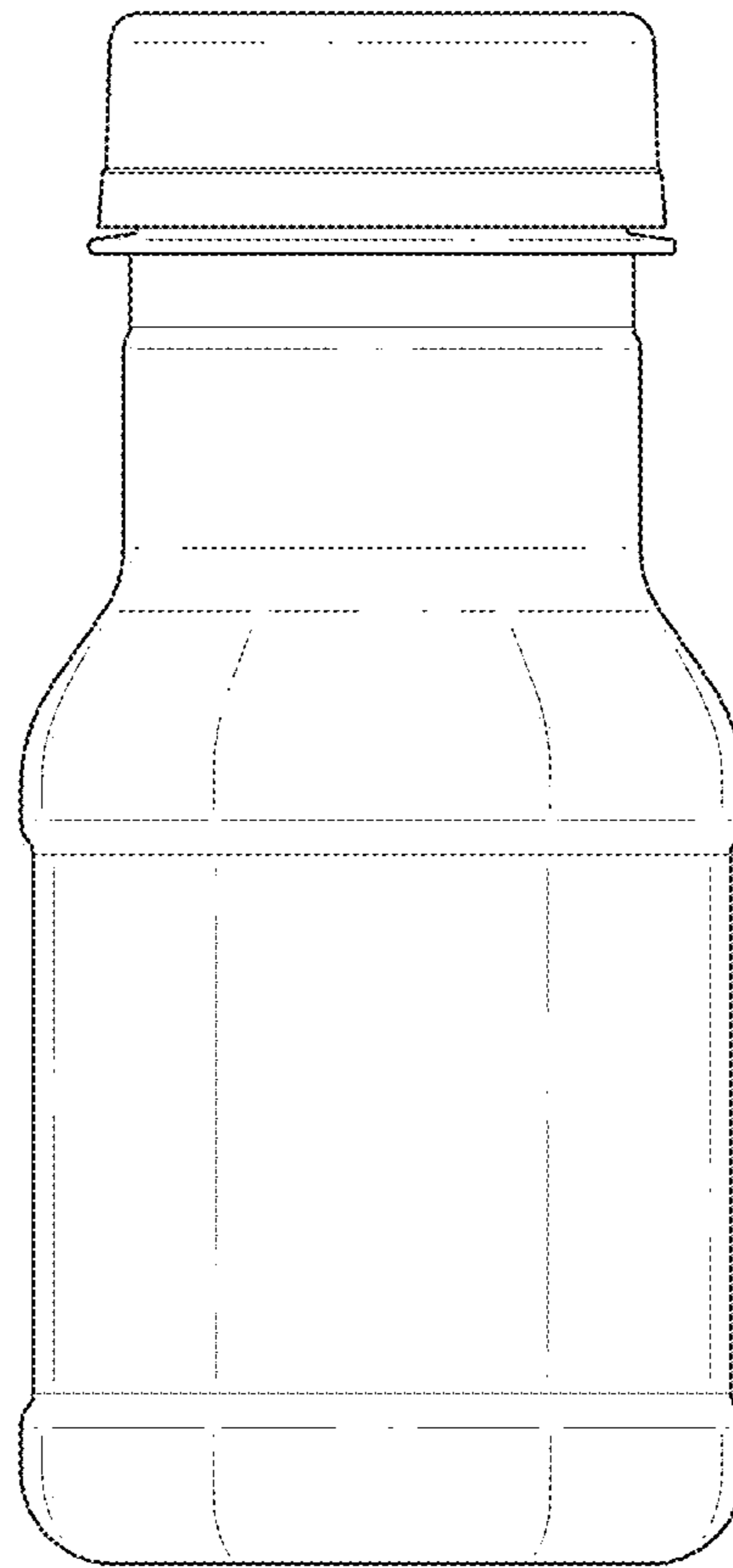
\* cited by examiner



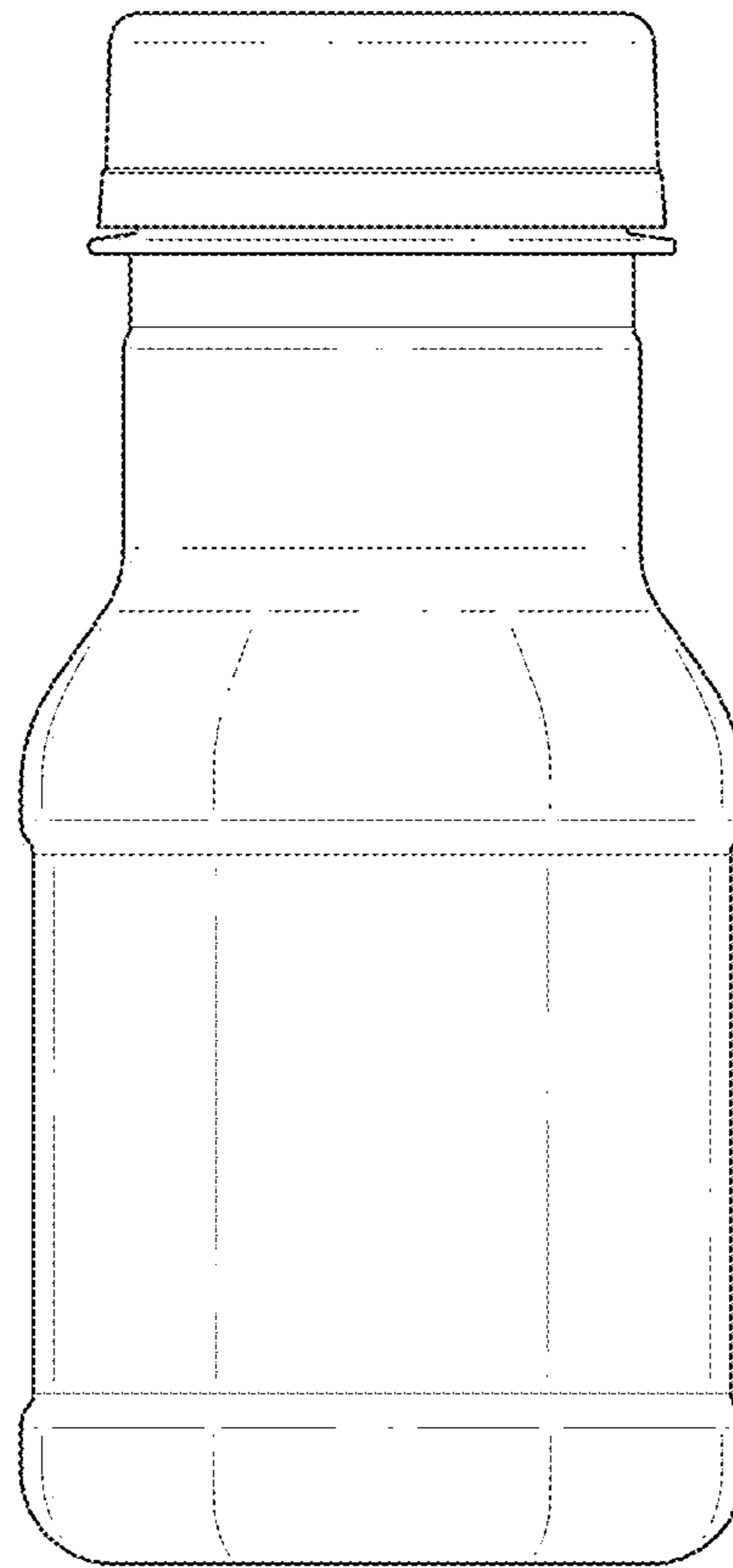
**FIG. 1**



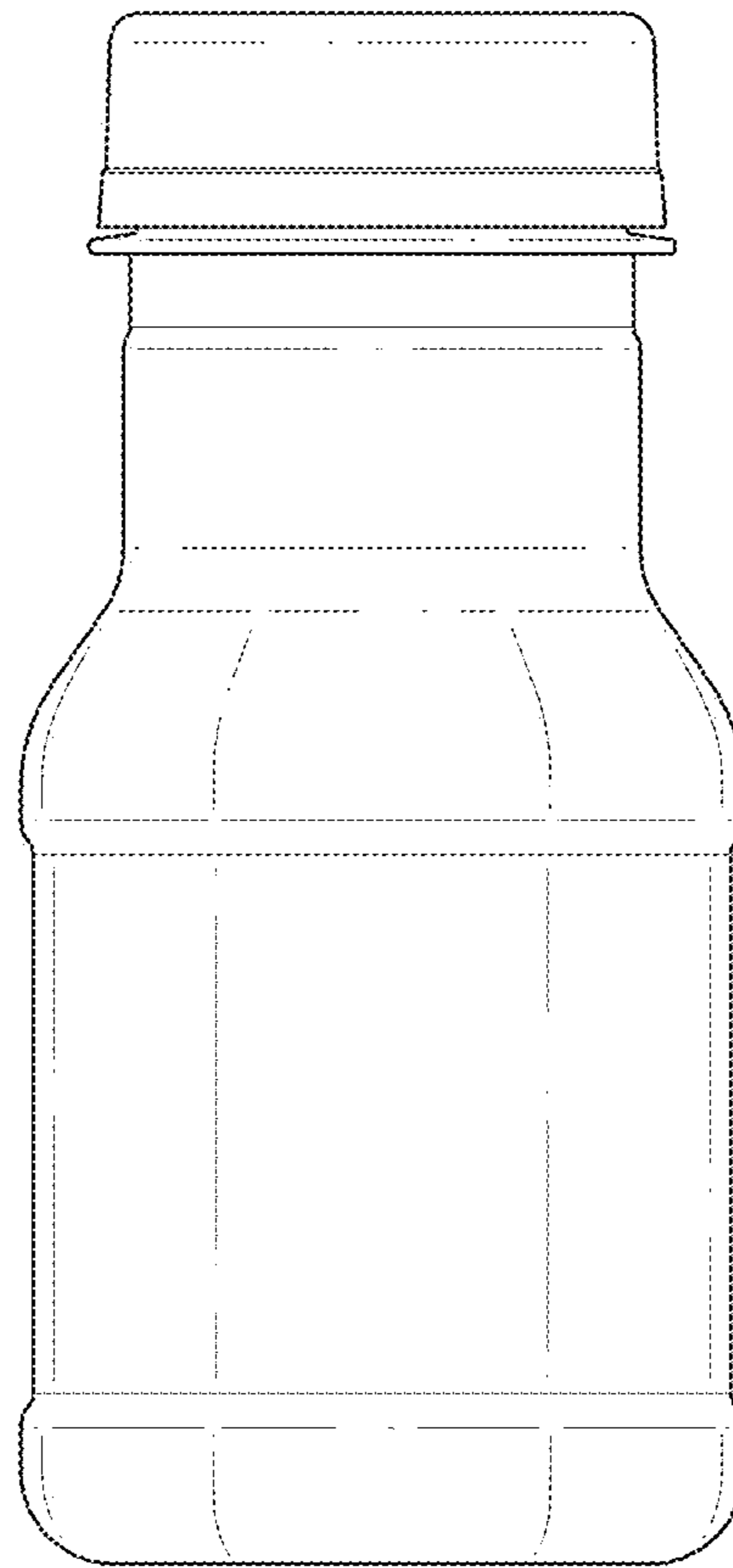
**FIG. 2**



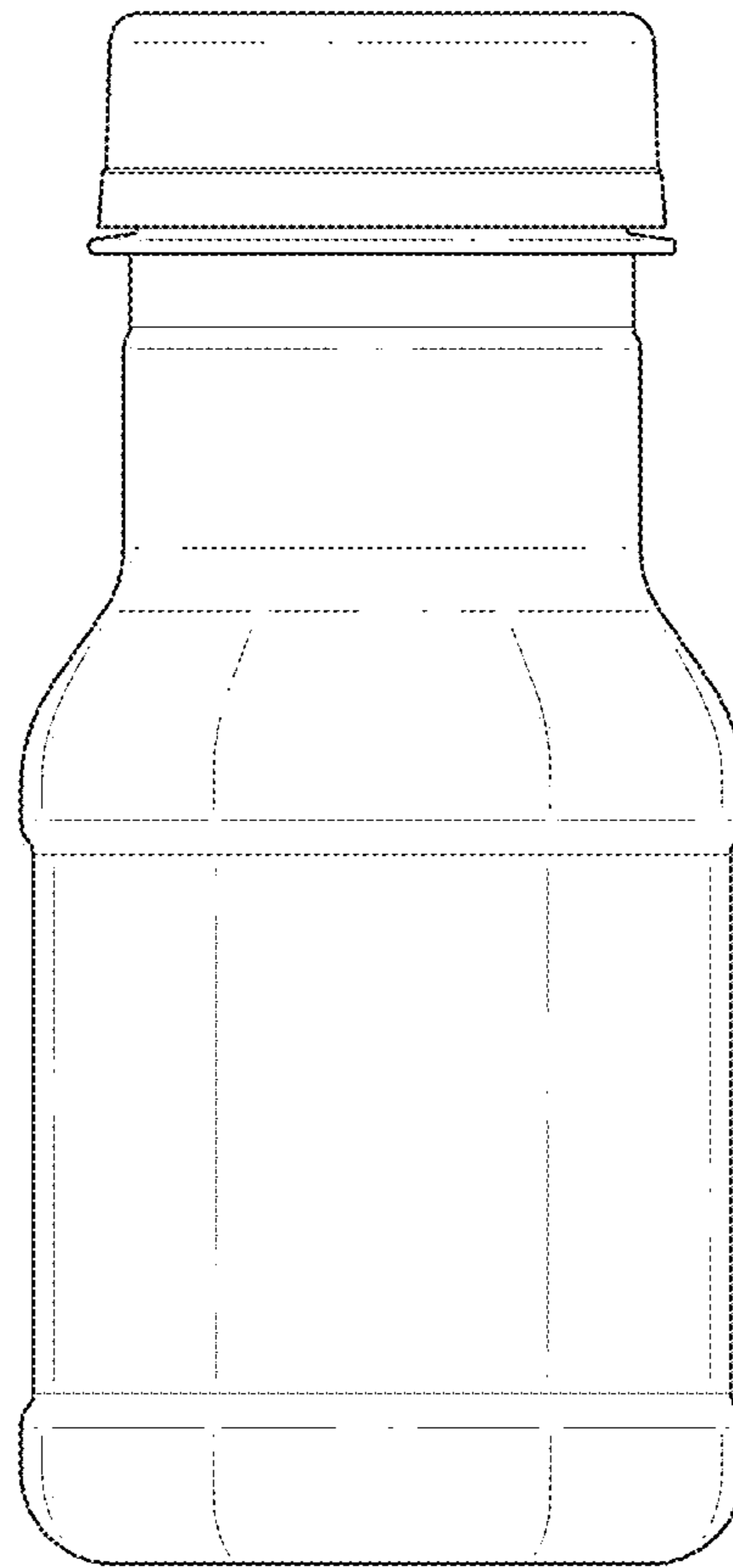
**FIG. 3**



**FIG. 4**

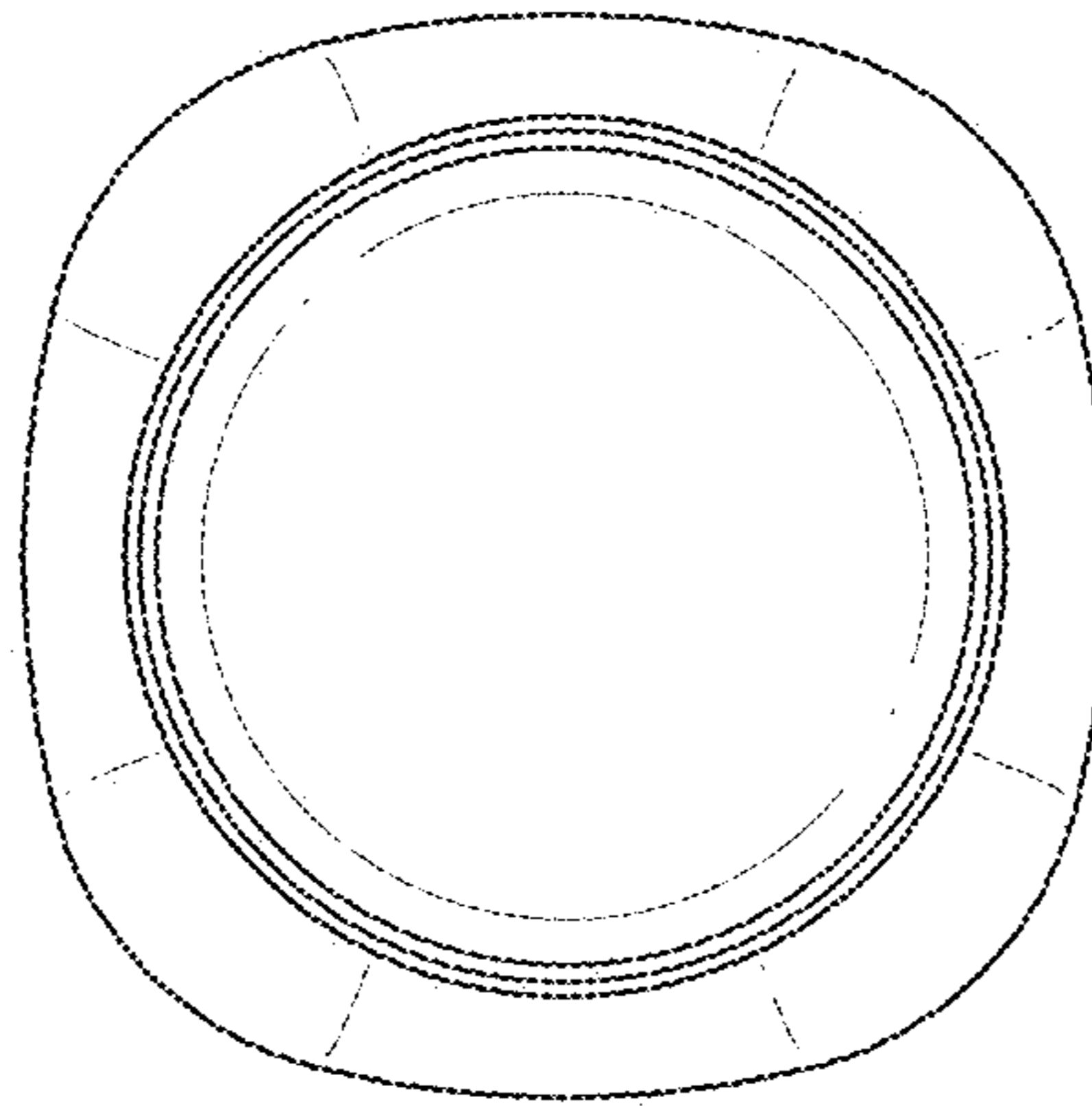


**FIG. 5**

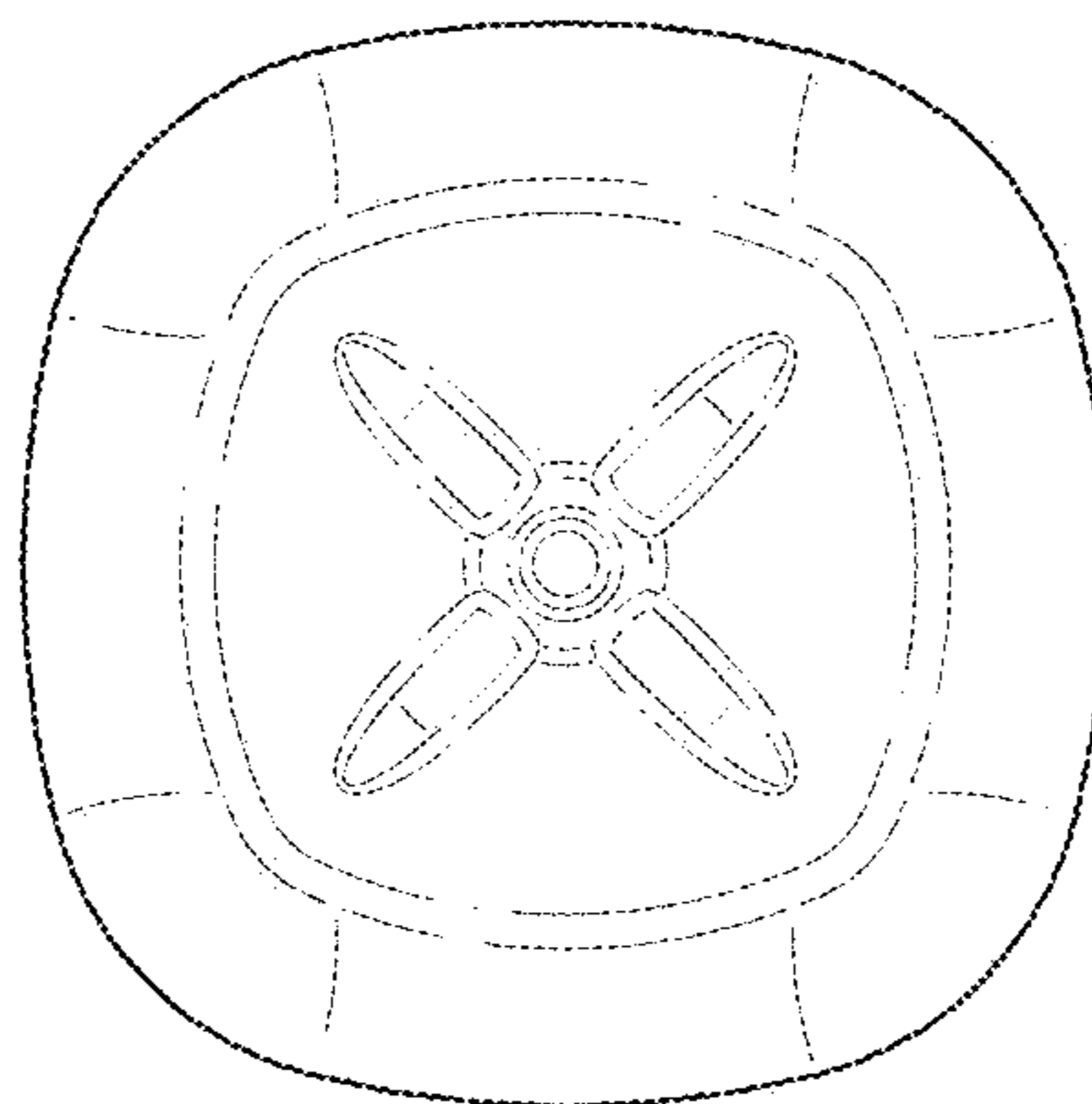


**FIG. 6**





**FIG. 7**



**FIG. 8**