



US00D893303S

(12) **United States Design Patent** (10) **Patent No.:** **US D893,303 S**
Cheng et al. (45) **Date of Patent:** **** Aug. 18, 2020**

(54) **BOTTLE**
(71) Applicant: **PepsiCo, Inc.**, Purchase, NY (US)
(72) Inventors: **Hai Shuo Cheng**, Shanghai (CN);
Pankaj Garg, Bangkok (TH); **Antonio Pugliese**, Milan (IT); **Gianmauro Vella**, Shanghai (CN)
(73) Assignee: **PepsiCo, Inc.**, Purchase, NY (US)

D389,068 S 1/1998 Hooker
D403,244 S 12/1998 Van Dyk et al.
D409,091 S 5/1999 Beaver et al.
D420,291 S 2/2000 Gnann et al.
D420,594 S 2/2000 Weinstein et al.
D427,071 S 6/2000 Williams et al.
D441,658 S 5/2001 Lichtman et al.
D443,826 S 6/2001 Gnann et al.
D447,422 S 9/2001 Peek
D450,590 S 11/2001 Van Dyk et al.

(Continued)

(**) Term: **15 Years**

OTHER PUBLICATIONS

(21) Appl. No.: **29/683,956**

Lansdell Soft Drinks Ltd, Apr. 27, 2017, Facebook Post, Image posted., <https://www.facebook.com/161772980542966/photos/new-fanta-twist-bottles-in-stock/1376084469111805/> (Year: 2017).*

(22) Filed: **Mar. 18, 2019**

(51) **LOC (12) Cl.** **09-01**

(52) **U.S. Cl.**

USPC **D9/540**; D9/552

(58) **Field of Classification Search**

USPC D9/434, 505, 516, 540, 560, 668, 670,
D9/681, 687, 694, 700, 537, 538, 500,
D9/552, 556, 571, 539, 520, 502;
D7/500-524, 532

CPC .. B65D 1/0223; B65D 83/205; B65D 83/206;
B65D 2501/0081; B65D 79/005; B65D
2501/0036; B65D 1/0276; B65D 1/0284;
Y10S 220/906; B29L 2031/7158; B29B
2911/14026; B29C 49/06

See application file for complete search history.

Primary Examiner — Brett Miller

Assistant Examiner — Rani J Abdallah

(74) *Attorney, Agent, or Firm* — Sterne, Kessler,
Goldstein & Fox P.L.L.C.

(57) **CLAIM**

The ornamental design for a bottle, as shown and described.

DESCRIPTION

FIG. 1 is a top perspective view of a bottle showing the claimed design;

FIG. 2 is a bottom perspective view thereof;

FIG. 3 is a front view thereof;

FIG. 4 is a rear view thereof;

FIG. 5 is a right side view thereof;

FIG. 6 is a left side view thereof;

FIG. 7 is a top view thereof; and,

FIG. 8 is a bottom view thereof.

The dashed broken lines in the figures show portions of the bottle that form no part of the claimed design.

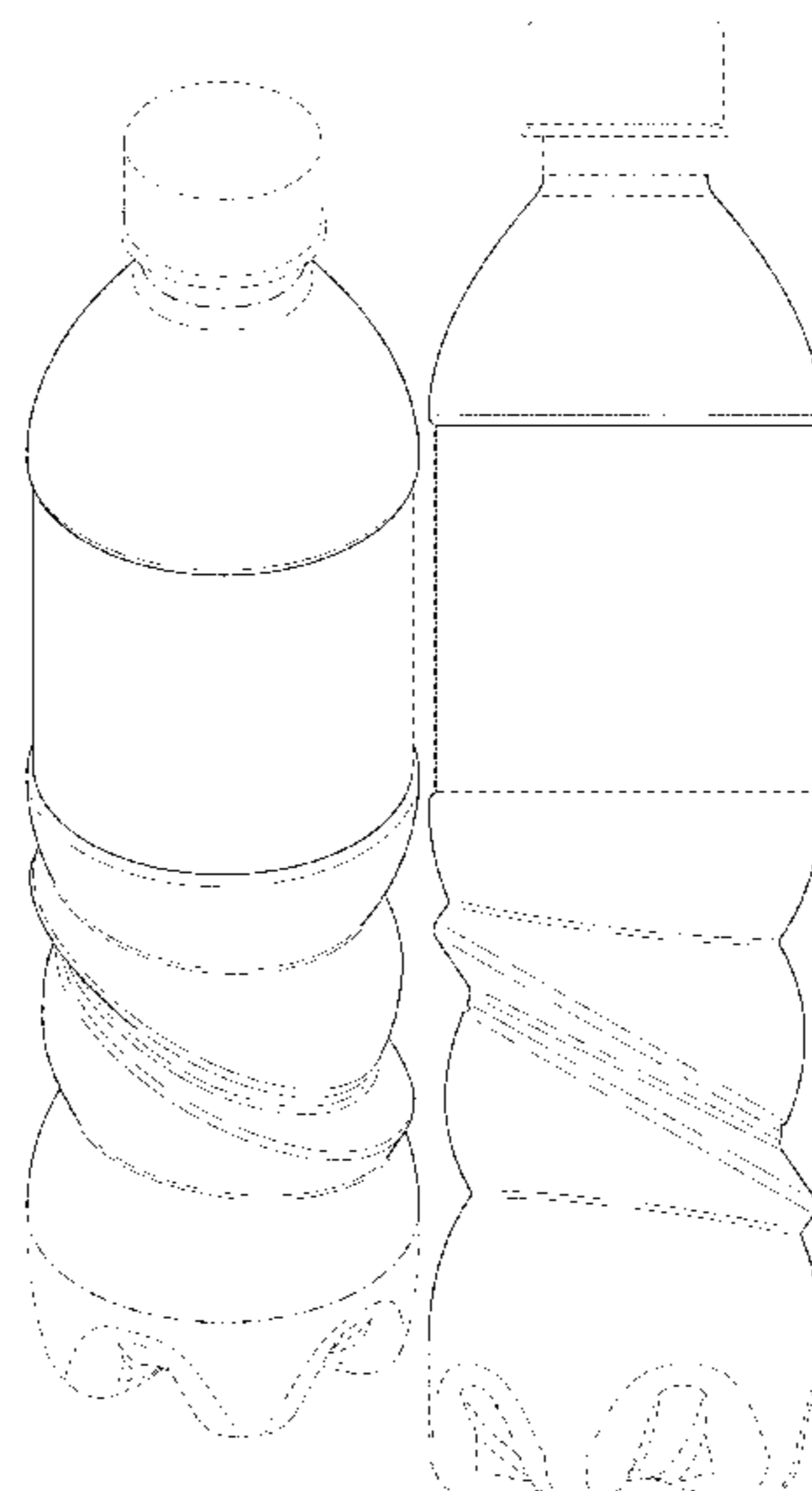
The dot-dash broken lines in the figures show boundaries that form no part of the claimed design.

(56) **References Cited**

U.S. PATENT DOCUMENTS

1,232,485 A 7/1917 Bloom
D187,345 S 3/1960 Fuerst
D224,383 S 7/1972 Mascla et al.
D250,574 S 12/1978 Boyle
D306,261 S 2/1990 Rader
D319,183 S 8/1991 Halm
D336,821 S 6/1993 Ancona et al.
D369,069 S 4/1996 Husted
D383,679 S 9/1997 Wilson et al.

1 Claim, 4 Drawing Sheets



(56)

References Cited

U.S. PATENT DOCUMENTS

D466,415 S 12/2002 Reis et al.
 D536,582 S 2/2007 Roth et al.
 D552,476 S 10/2007 Yelland
 D556,587 S 12/2007 Kruparova
 D573,477 S 7/2008 Caldwell
 D600,559 S 9/2009 Lepoitevin
 D604,169 S 11/2009 Melossi
 D614,039 S 4/2010 Arnell
 D614,963 S * 5/2010 Arnell D9/537
 D618,110 S * 6/2010 Arnell D9/537
 D619,897 S * 7/2010 Arnell D9/516
 D621,267 S * 8/2010 Arnell D9/516
 D676,755 S 2/2013 Hein
 D696,949 S * 1/2014 Reeber D9/516
 D699,580 S * 2/2014 Eaton D9/516
 D700,519 S 3/2014 Eaton et al.
 D719,449 S * 12/2014 Eaton D9/516
 D726,502 S * 4/2015 Broen D7/509

D734,640 S * 7/2015 Broen D7/509
 D736,638 S * 8/2015 Boon D9/538
 D738,736 S 9/2015 Eaton et al.
 D739,752 S * 9/2015 Eaton D9/540
 D741,714 S 10/2015 Llewellyn et al.
 D742,238 S 11/2015 Llewellyn et al.
 D744,344 S 12/2015 Llewellyn et al.
 D744,345 S 12/2015 Llewellyn et al.
 D744,346 S 12/2015 Llewellyn et al.
 D744,347 S 12/2015 Llewellyn et al.
 D744,841 S 12/2015 Llewellyn et al.
 D744,842 S 12/2015 Llewellyn et al.
 D744,843 S 12/2015 Llewellyn et al.
 D744,844 S 12/2015 Llewellyn et al.
 D750,495 S 3/2016 Llewellyn et al.
 D756,791 S * 5/2016 Tomasson D9/516
 D767,404 S 9/2016 Eaton et al.
 D789,795 S * 6/2017 Boon D9/538
 D853,849 S * 7/2019 Hall D9/516
 2007/0125743 A1 6/2007 Pritchett, Jr. et al.

* cited by examiner

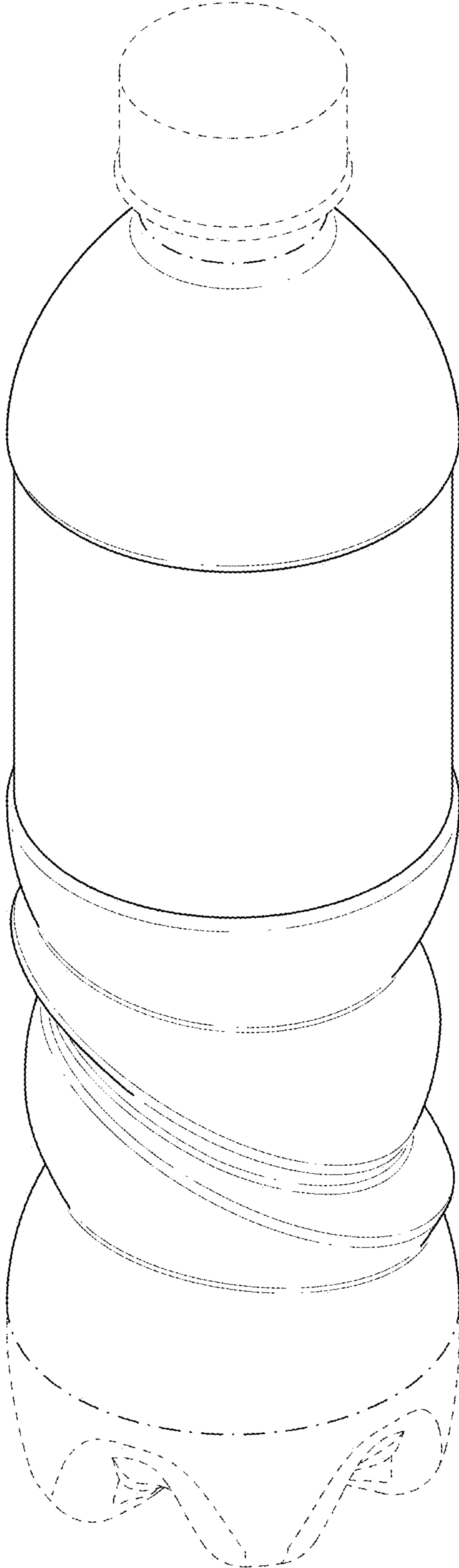


FIG. 1

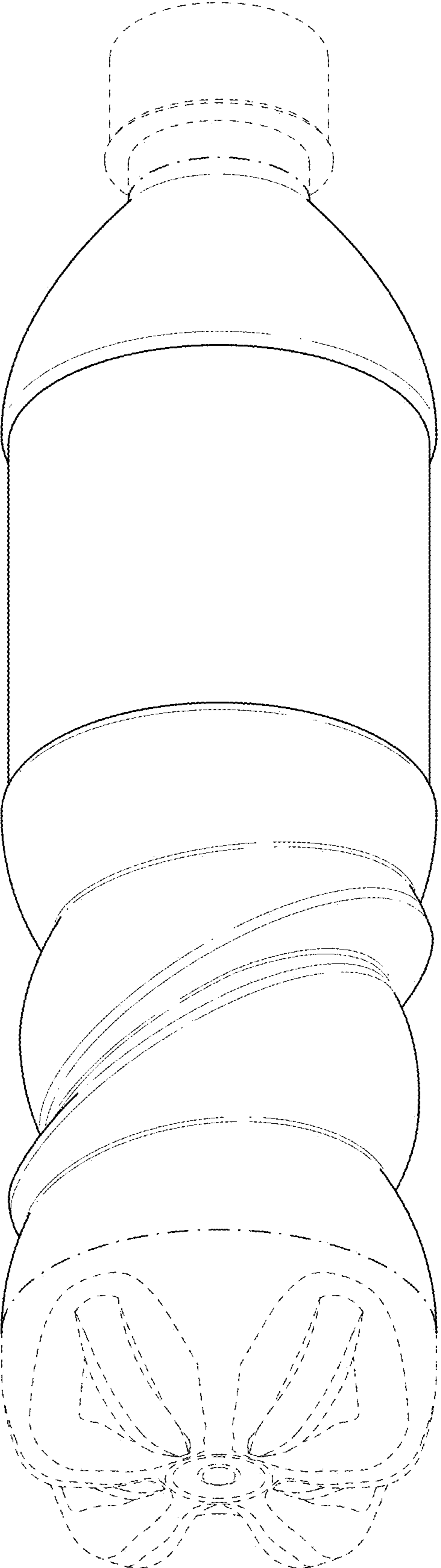


FIG. 2

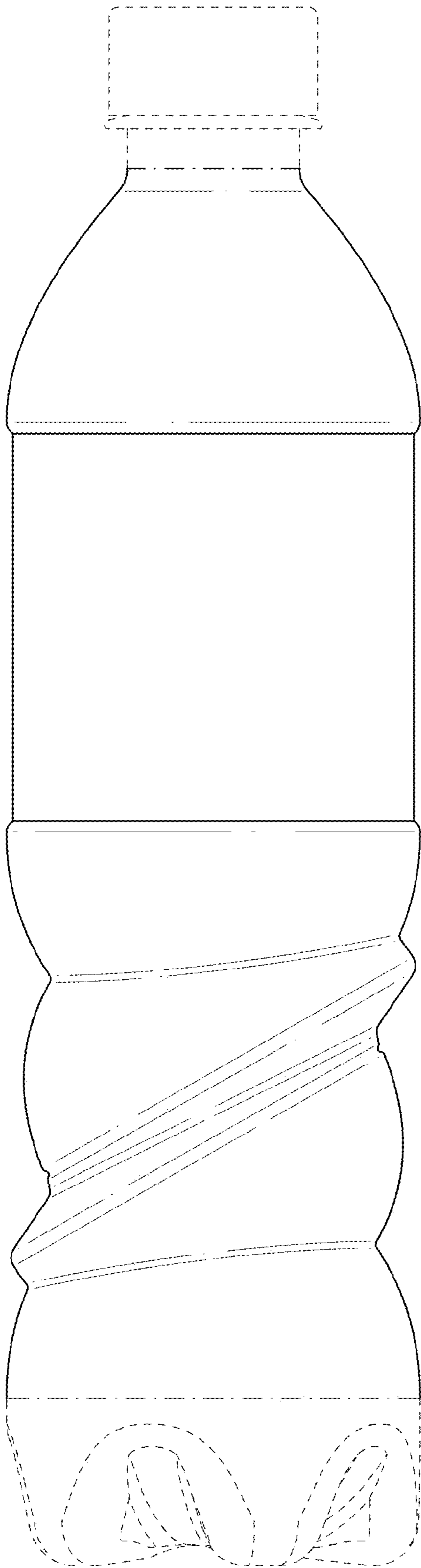


FIG. 3

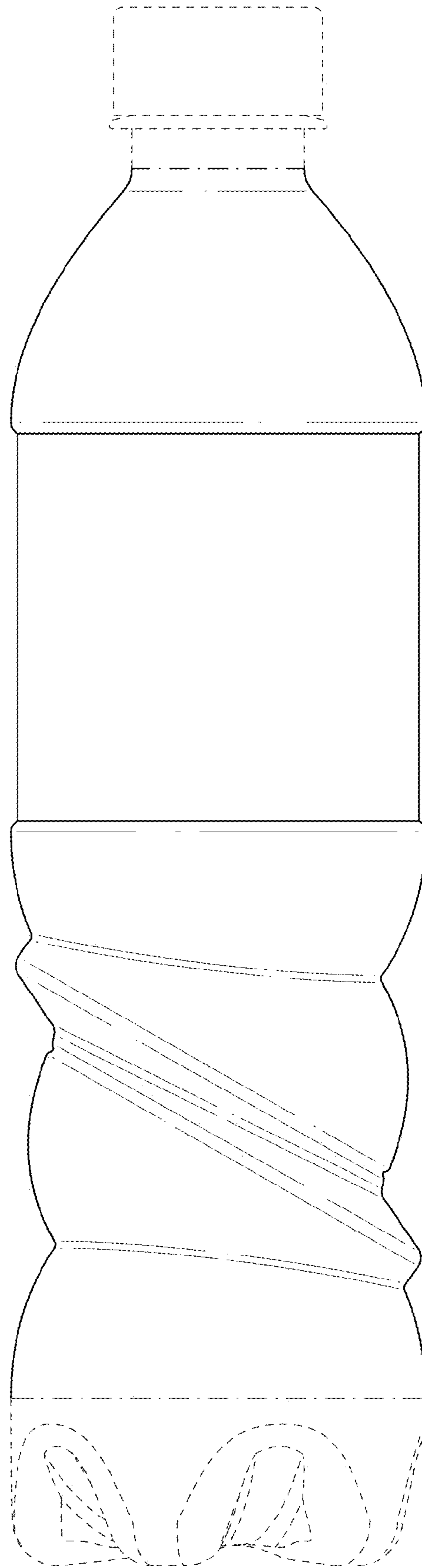


FIG. 4

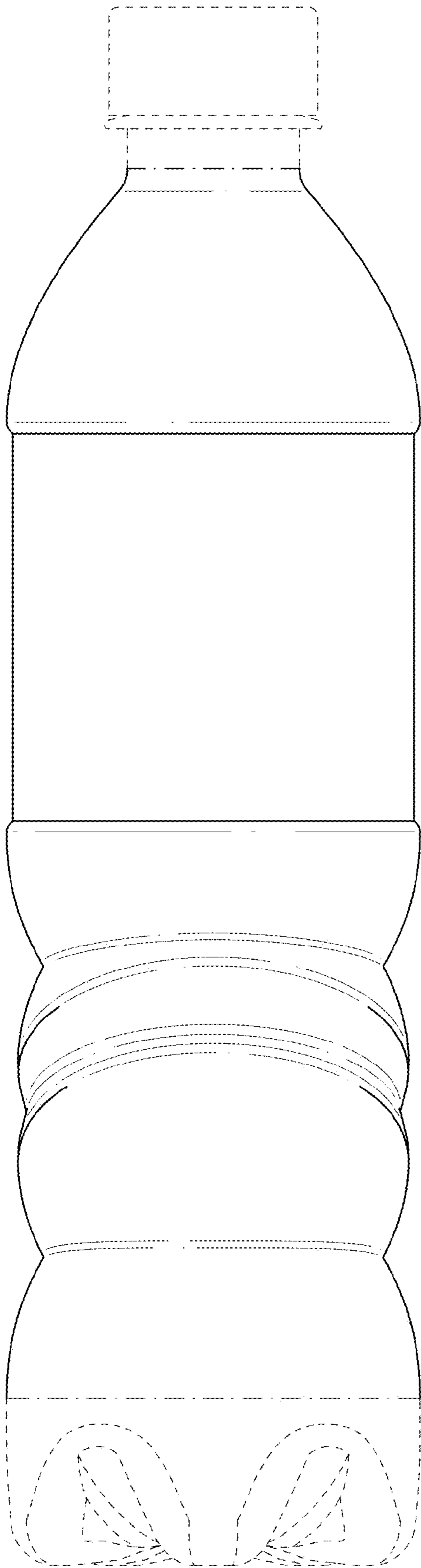


FIG. 5

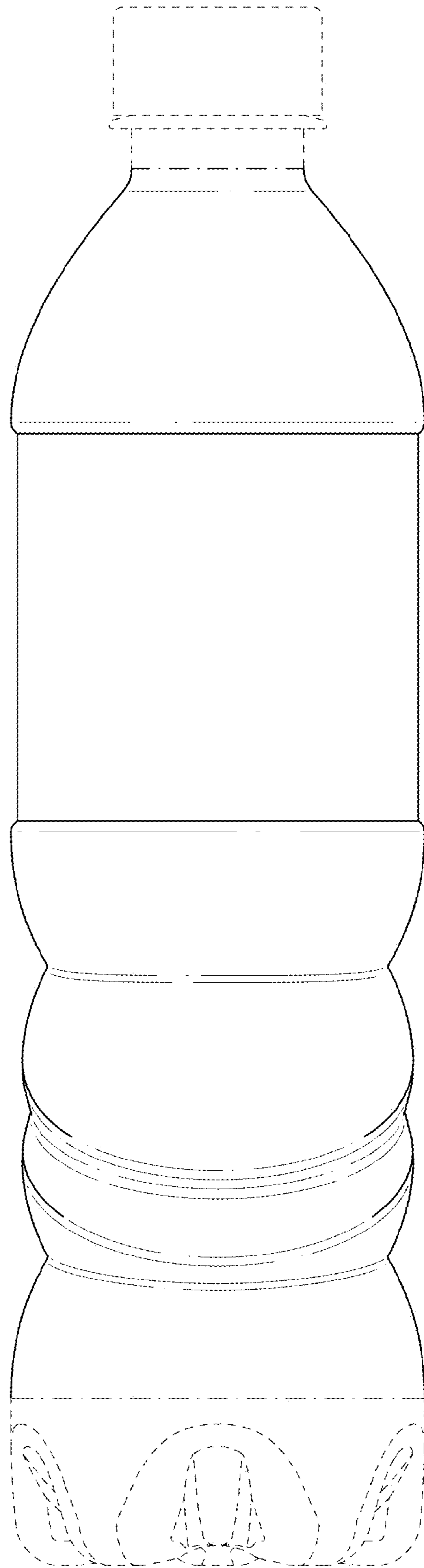


FIG. 6

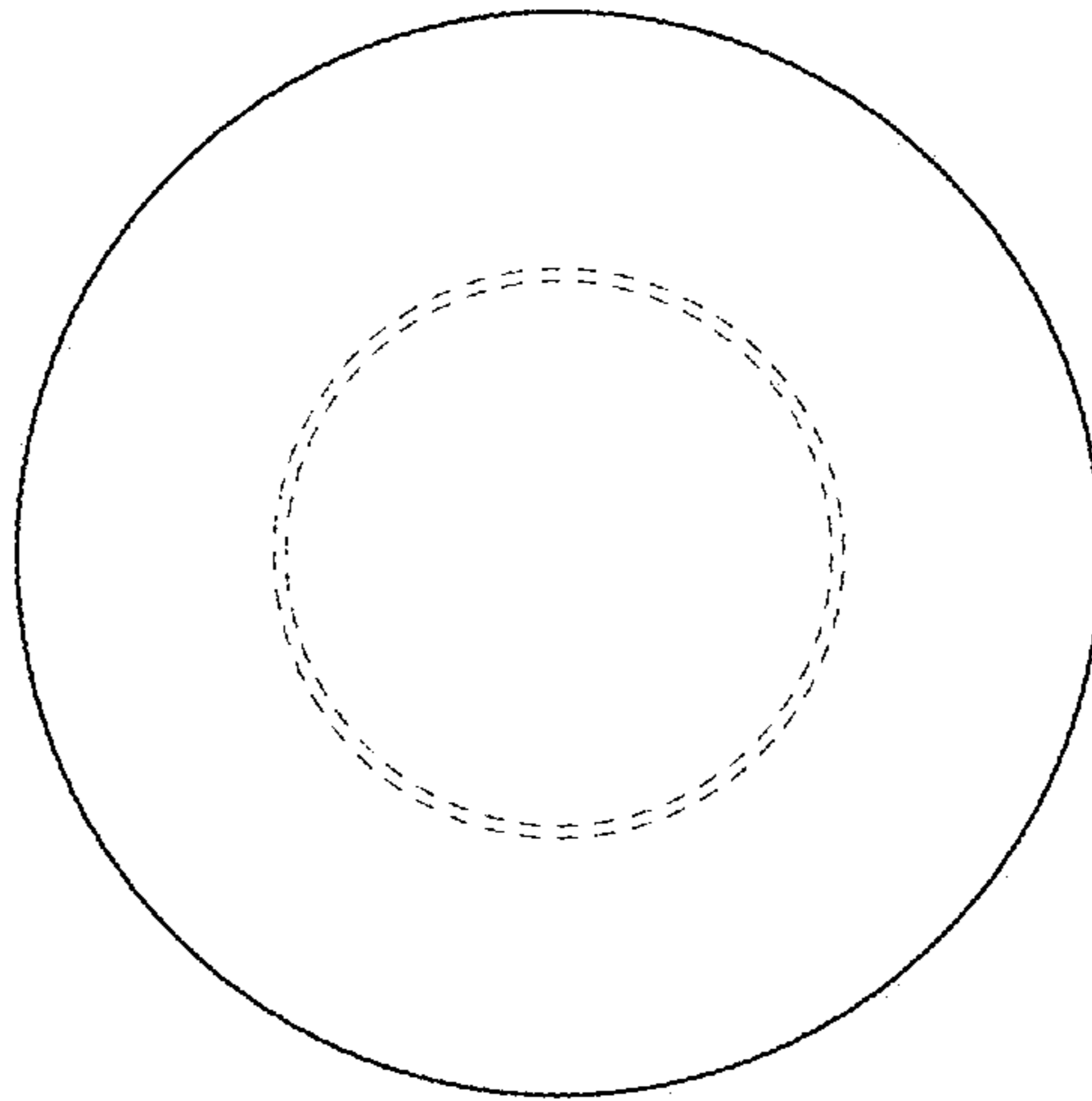


FIG. 7

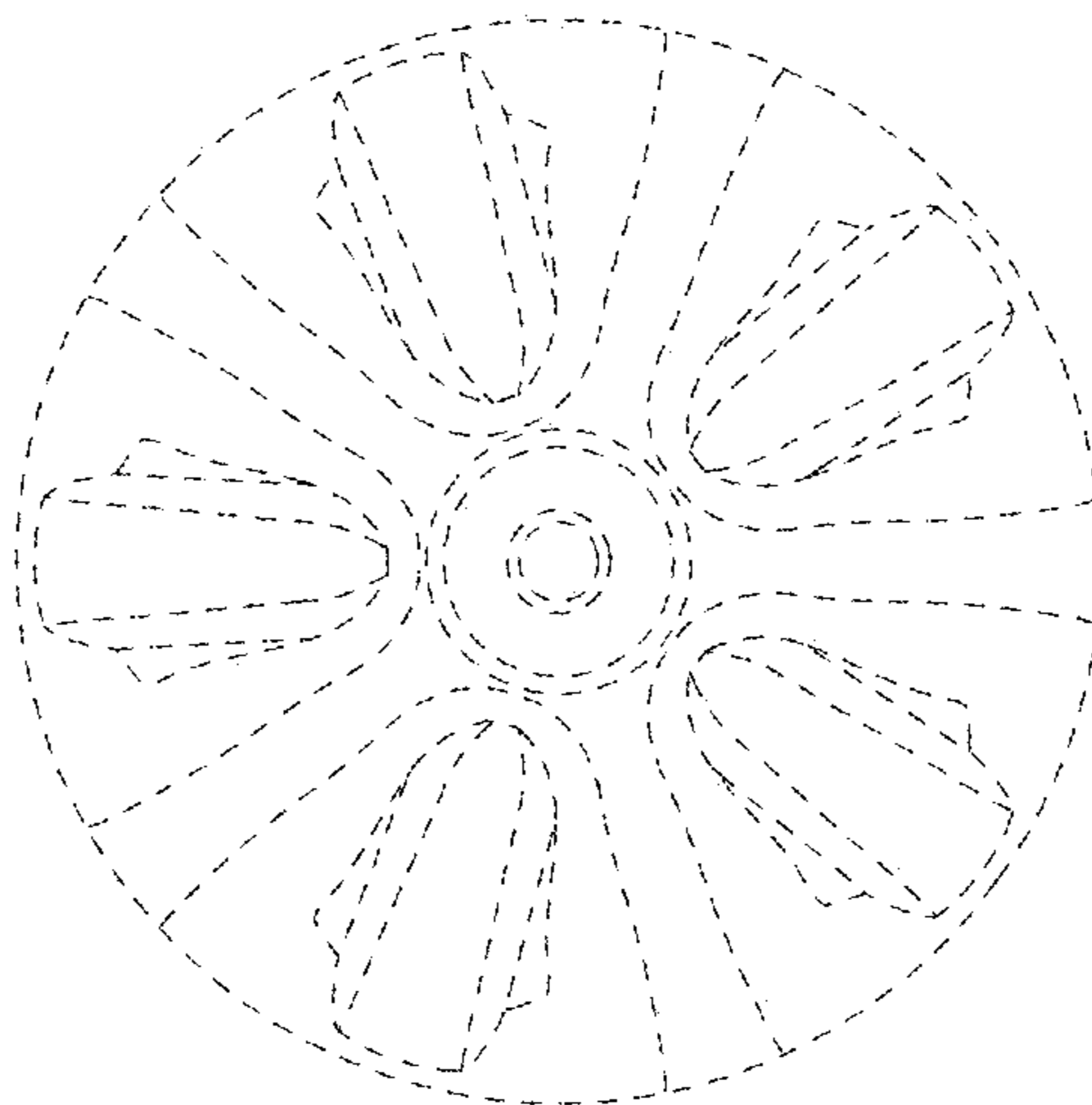


FIG. 8