



US00D893300S

(12) **United States Design Patent** (10) **Patent No.:** **US D893,300 S**
Aboabdo (45) **Date of Patent:** **** Aug. 18, 2020**

(54) **DISPENSER**

(71) Applicant: **Chubby Gorilla, Inc.**, Fullerton, CA (US)

(72) Inventor: **Ibrahiem H. Aboabdo**, Yorba Linda, CA (US)

(73) Assignee: **Chubby Gorilla, Inc.**, Fullerton, CA (US)

(**) Term: **15 Years**

(21) Appl. No.: **29/716,198**

(22) Filed: **Dec. 6, 2019**

Related U.S. Application Data

(63) Continuation-in-part of application No. 29/715,985, filed on Dec. 5, 2019.

(51) **LOC (12) Cl.** **09-01**

(52) **U.S. Cl.**
USPC **D9/503**; D9/443; D9/452; D9/454

(58) **Field of Classification Search**
USPC D9/434-435, 443, 444-445, 452, 454, D9/500, 503-504, 516, 529, 549, 558,
(Continued)

(56) **References Cited**

U.S. PATENT DOCUMENTS

2,968,826 A * 1/1961 Leshin A45D 34/041
401/214
3,242,522 A * 3/1966 Jass A45D 34/041
401/213

(Continued)

OTHER PUBLICATIONS

U.S. Appl. No. 29/665,474, Bottle, filed Oct. 3, 2018.

(Continued)

Primary Examiner — Dana Meyrow

(74) *Attorney, Agent, or Firm* — Knobbe Martens Olson & Bear, LLP

(57) **CLAIM**

The ornamental design for a dispenser, as shown and described herein.

DESCRIPTION

FIG. 1 is a top perspective view of a first embodiment of a dispenser embodying the new design.

FIG. 2 is a bottom perspective view thereof.

FIG. 3 is a front view thereof.

FIG. 4 is a rear view thereof.

FIG. 5 is a first side view thereof.

FIG. 6 is a second side view thereof.

FIG. 7 is a top view thereof.

FIG. 8 is a bottom view thereof.

FIG. 9 is an exploded perspective view thereof.

FIG. 10 is an exploded front view thereof.

FIG. 11 is a top perspective view of a second embodiment of a dispenser embodying the new design.

FIG. 12 is a bottom perspective view thereof.

FIG. 13 is a front view thereof.

FIG. 14 is a rear view thereof.

FIG. 15 is a first side view thereof.

FIG. 16 is a second side view thereof.

FIG. 17 is a top view thereof.

FIG. 18 is a bottom view thereof.

FIG. 19 is an exploded perspective view thereof.

FIG. 20 is an exploded front view thereof.

FIG. 21 is a top perspective view of a third embodiment of a dispenser embodying the new design.

FIG. 22 is a bottom perspective view thereof.

FIG. 23 is a front view thereof.

FIG. 24 is a rear view thereof.

FIG. 25 is a first side view thereof.

FIG. 26 is a second side view thereof.

FIG. 27 is a top view thereof.

FIG. 28 is a bottom view thereof.

FIG. 29 is an exploded perspective view thereof.

FIG. 30 is an exploded front view thereof.

FIG. 31 is a top perspective view of a fourth embodiment of a dispenser embodying the new design.

(Continued)

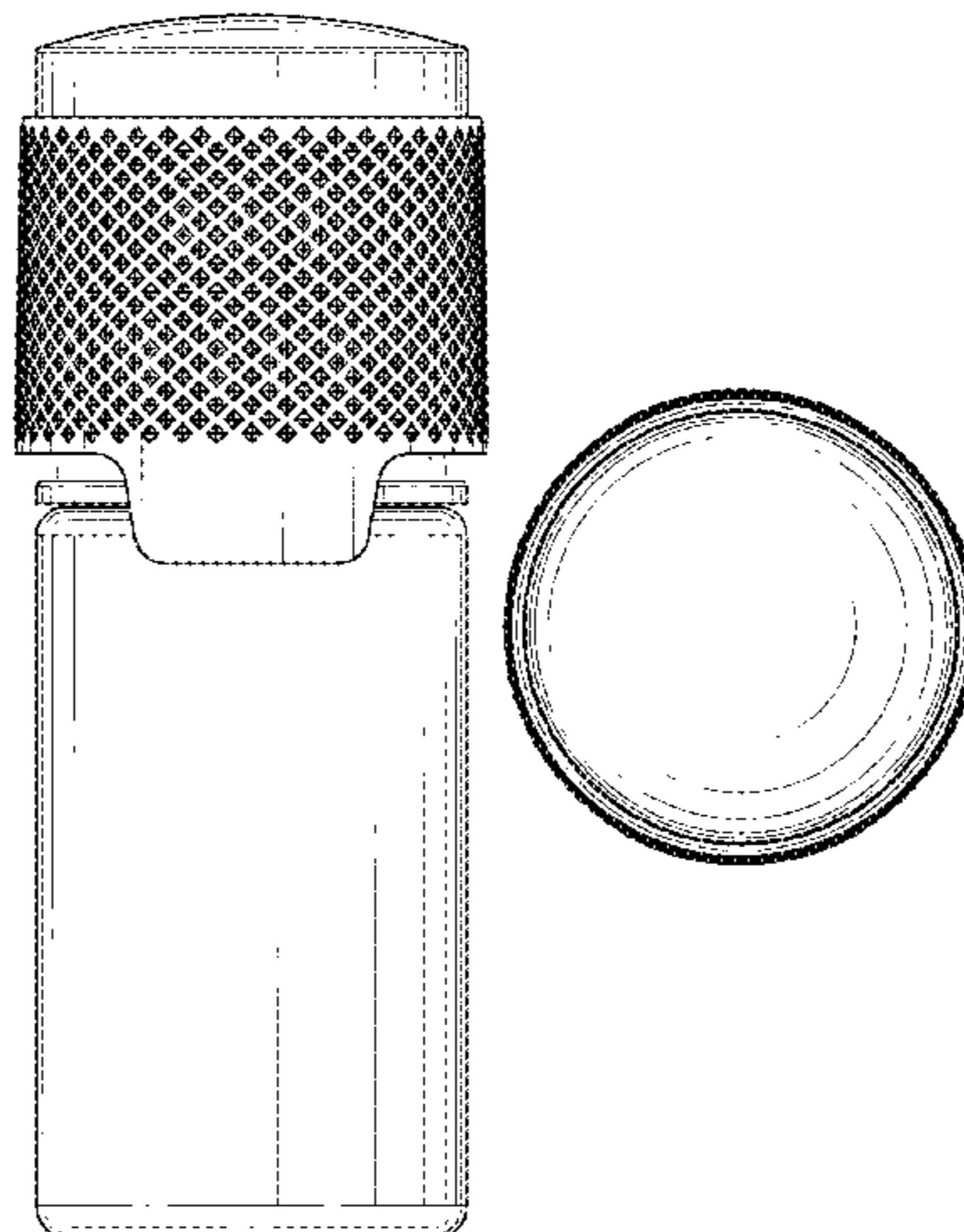


FIG. 32 is a bottom perspective view thereof.
 FIG. 33 is a front view thereof.
 FIG. 34 is a rear view thereof.
 FIG. 35 is a first side view thereof.
 FIG. 36 is a second side view thereof.
 FIG. 37 is a top view thereof.
 FIG. 38 is a bottom view thereof.
 FIG. 39 is an exploded perspective view thereof; and,
 FIG. 40 is an exploded front view thereof.
 The broken lines in the drawings illustrate the portions of the dispenser that form no part of the claimed design. The third and fourth embodiments show a symbolic break in the height of the dispenser. The break lines and any portion of the article between those break lines forms no part of the claim.

1 Claim, 28 Drawing Sheets

(58) **Field of Classification Search**

USPC D9/682, 690–691, 715, 719, 723–724;
 D3/203.2; D24/224; D27/183, 186,
 D27/189–191; D28/76, 88
 CPC B65D 1/00; B65D 1/02; B65D 1/0223;
 B65D 23/00; B65D 51/32; B65D
 2501/00; B65D 2501/0009
 See application file for complete search history.

(56)

References Cited

U.S. PATENT DOCUMENTS

D225,398	S	*	12/1972	David	D24/224
4,221,495	A	*	9/1980	Braun	A45D 34/041 401/213
D328,244	S	*	7/1992	Hamilton	D24/110
D562,137	S	*	2/2008	Florio	D28/89
D590,661	S	*	4/2009	Kitamura	D7/510
D636,683	S	*	4/2011	Floyd	D9/688
D779,325	S	*	2/2017	Vigoureux	D7/601
D823,689	S	*	7/2018	Durand	D9/503
D826,068	S	*	8/2018	Aboabdo	D9/724
D827,450	S	*	9/2018	Loukov	D9/726
D850,913	S	*	6/2019	Ke	D9/452
D850,930	S	*	6/2019	Wang	D9/724
D854,929	S	*	7/2019	Bacher	A01G 31/02 D9/436
D878,215	S	*	3/2020	Aboabdo	D9/723

OTHER PUBLICATIONS

U.S. Appl. No. 29/661,407, Bottle, filed Aug. 27, 2018.
 U.S. Appl. No. 29/680,038, Cap, filed Feb. 12, 2019.
 U.S. Appl. No. 29/715,985, Dispenser, filed Dec. 5, 2019.

* cited by examiner

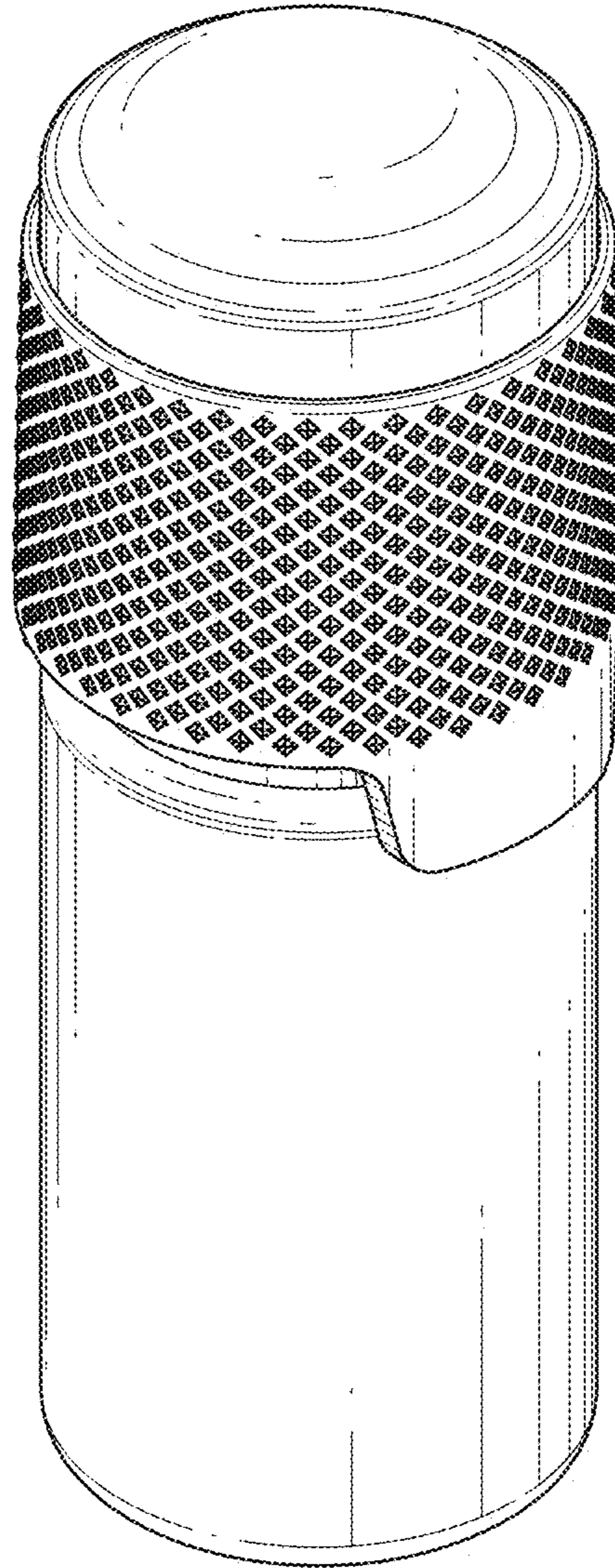


FIG. 1

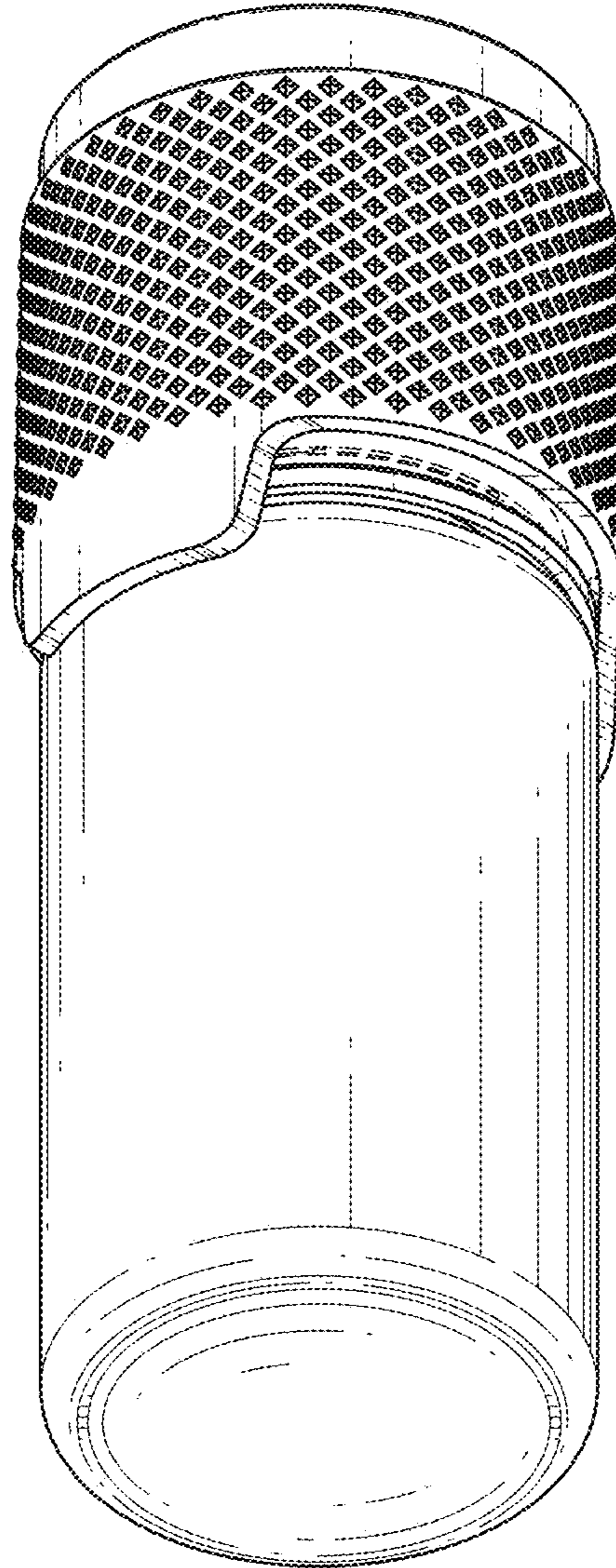


FIG. 2

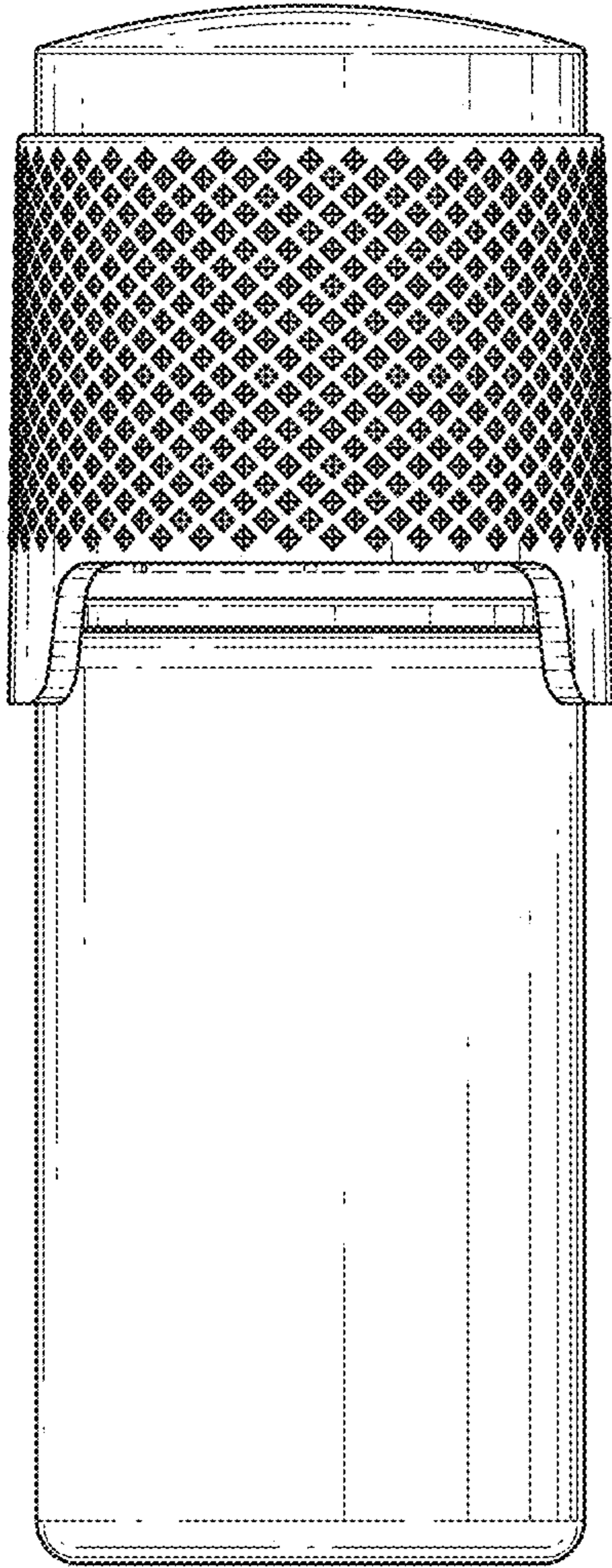


FIG. 3

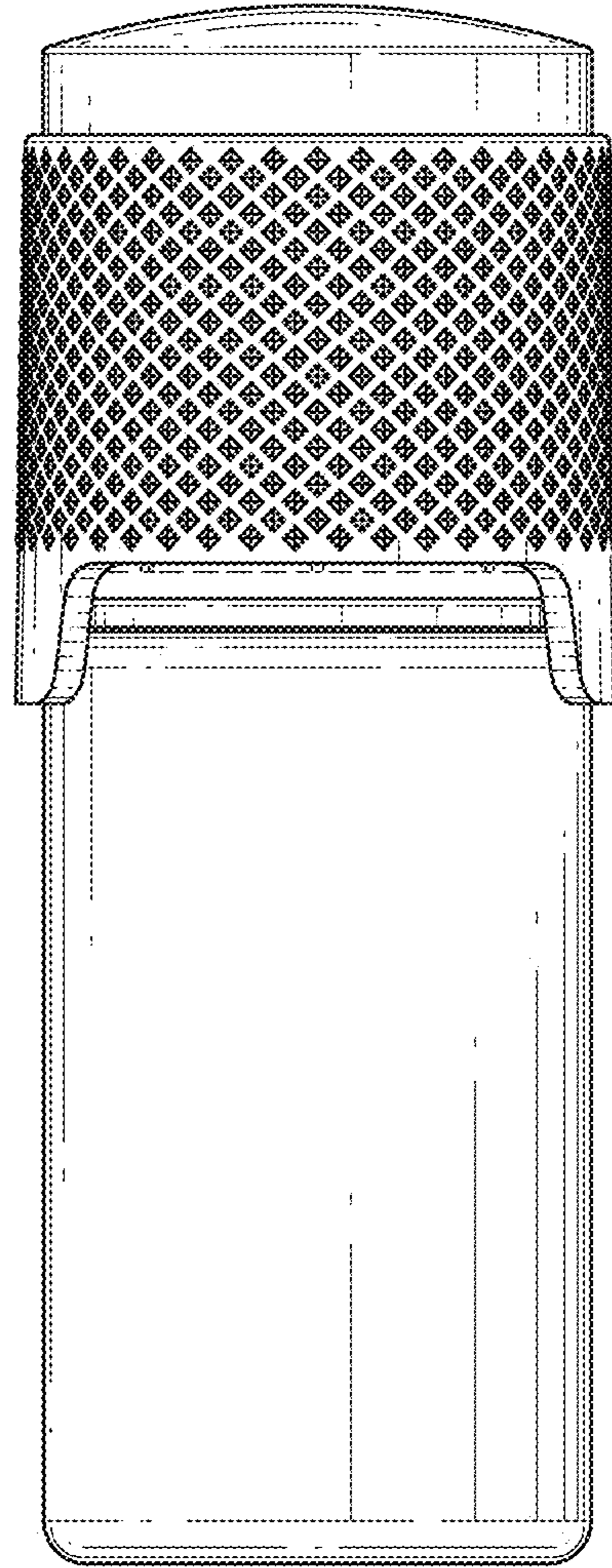


FIG. 4

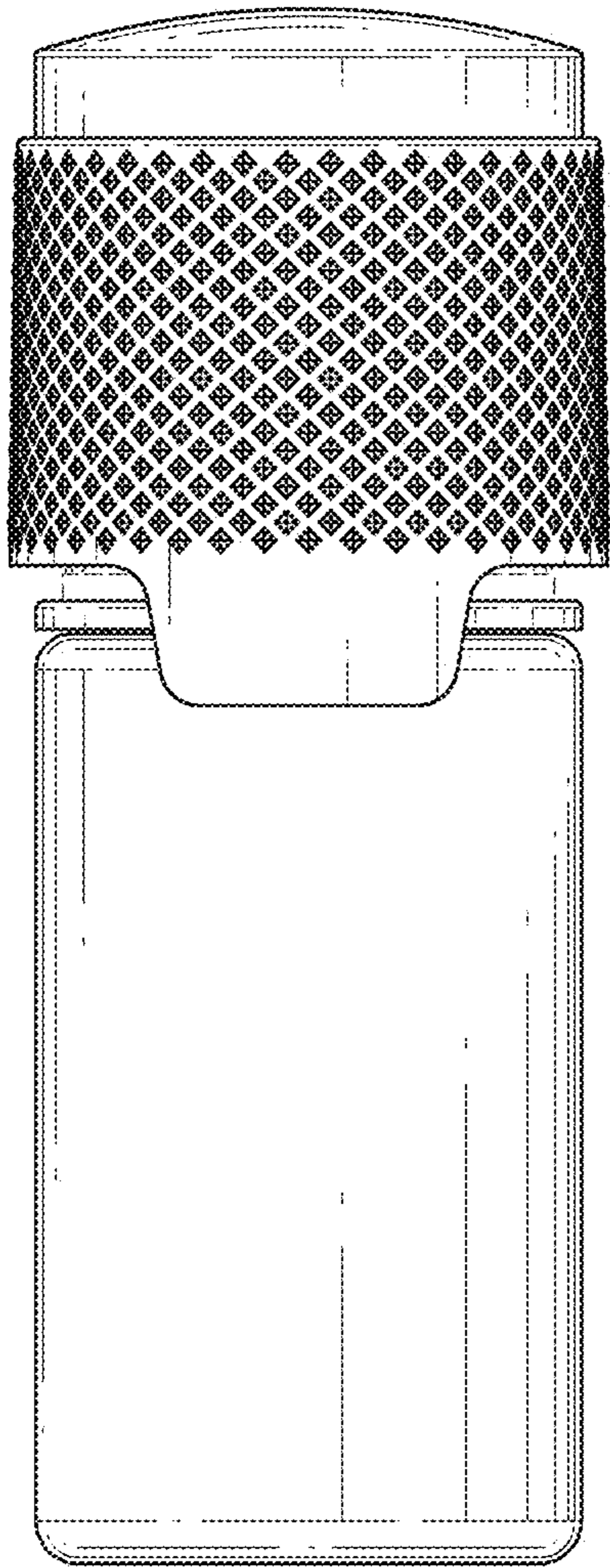


FIG. 5

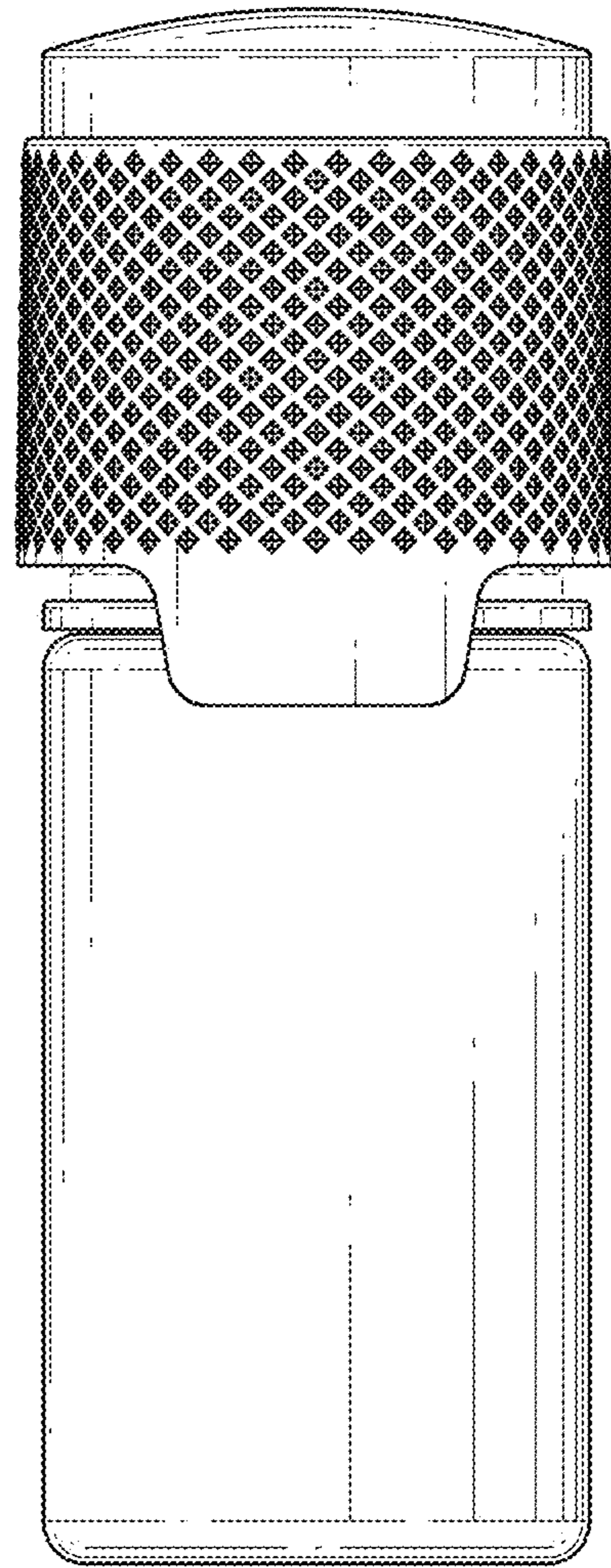


FIG. 6

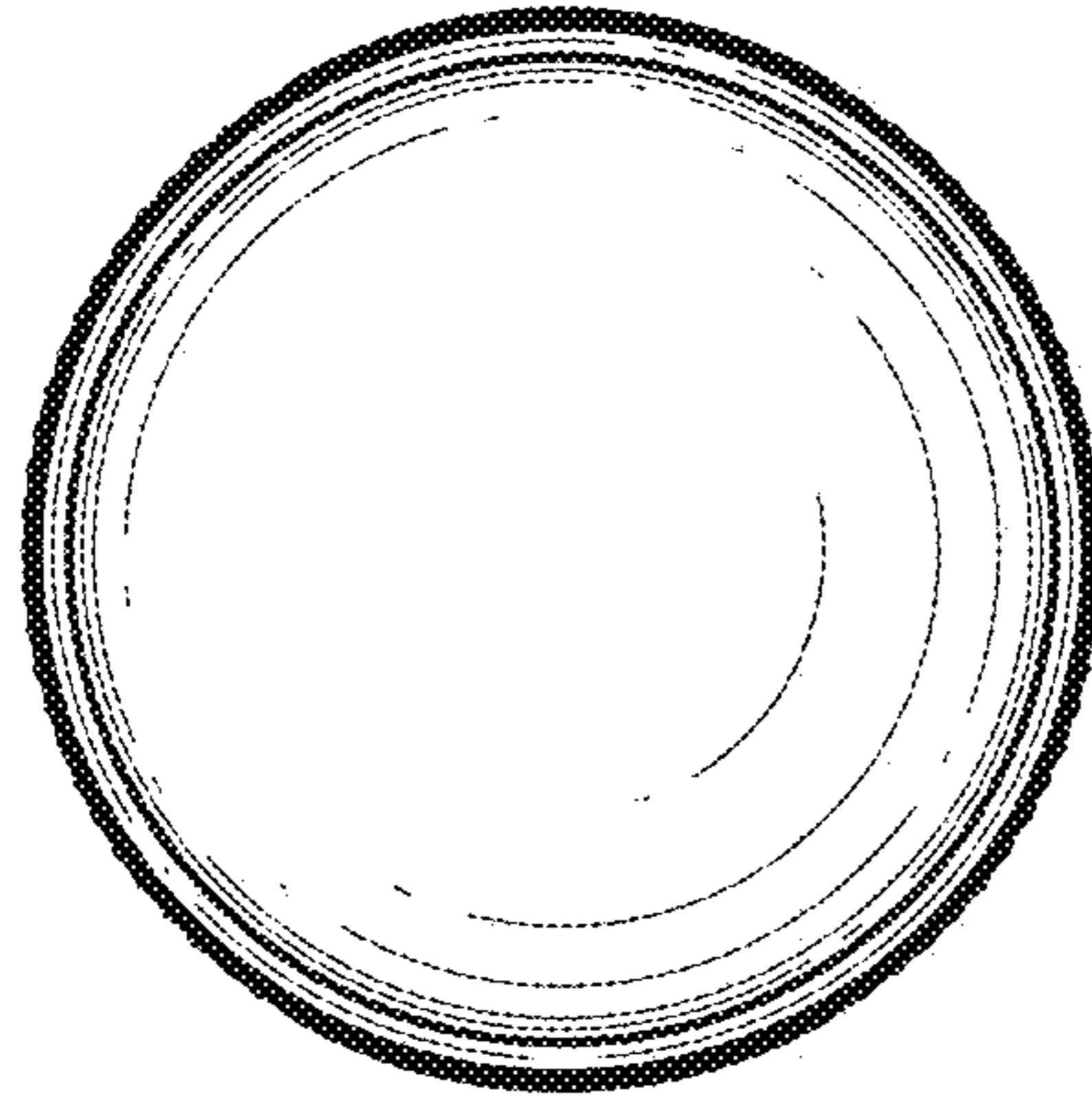


FIG. 7

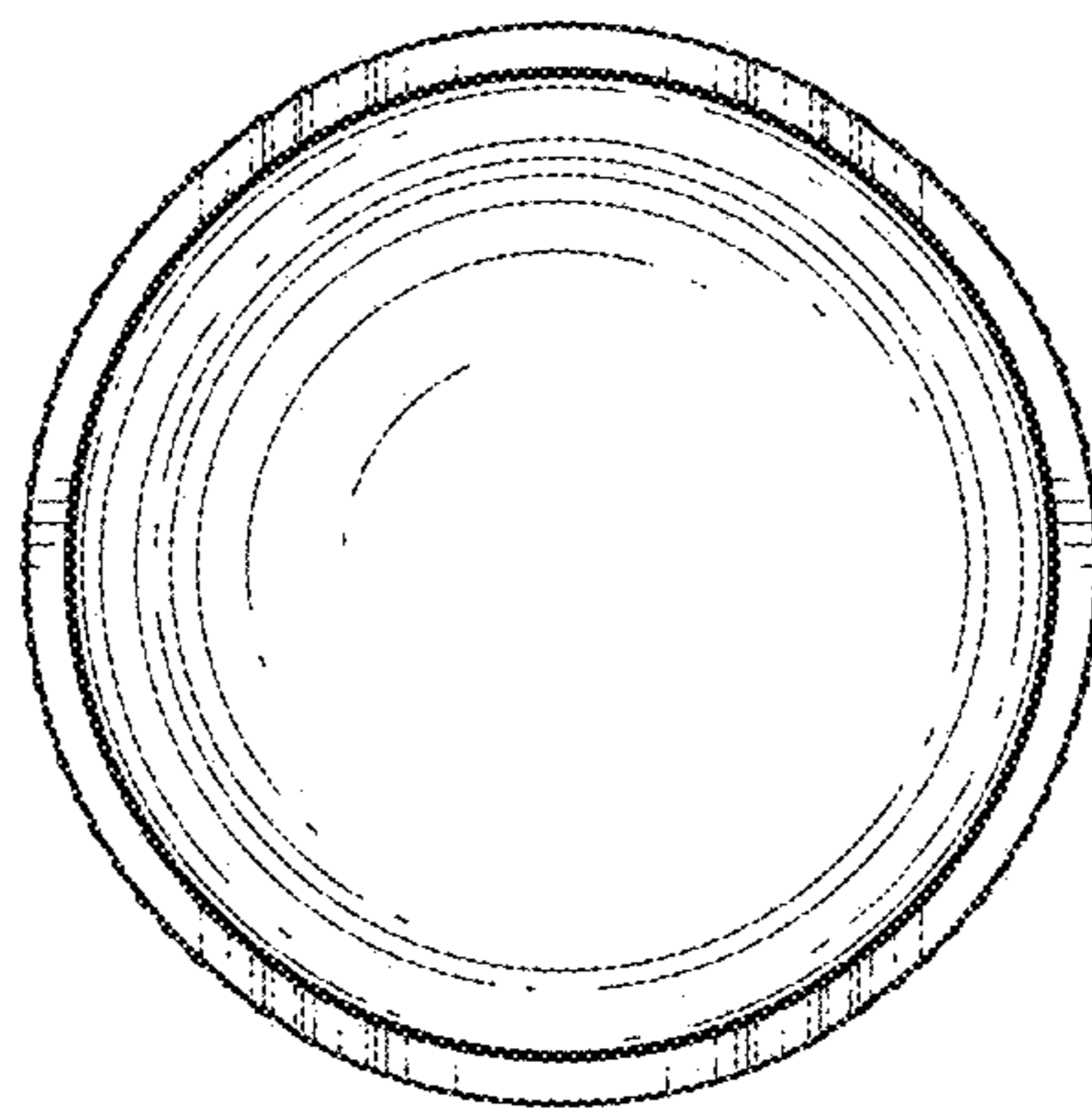


FIG. 8

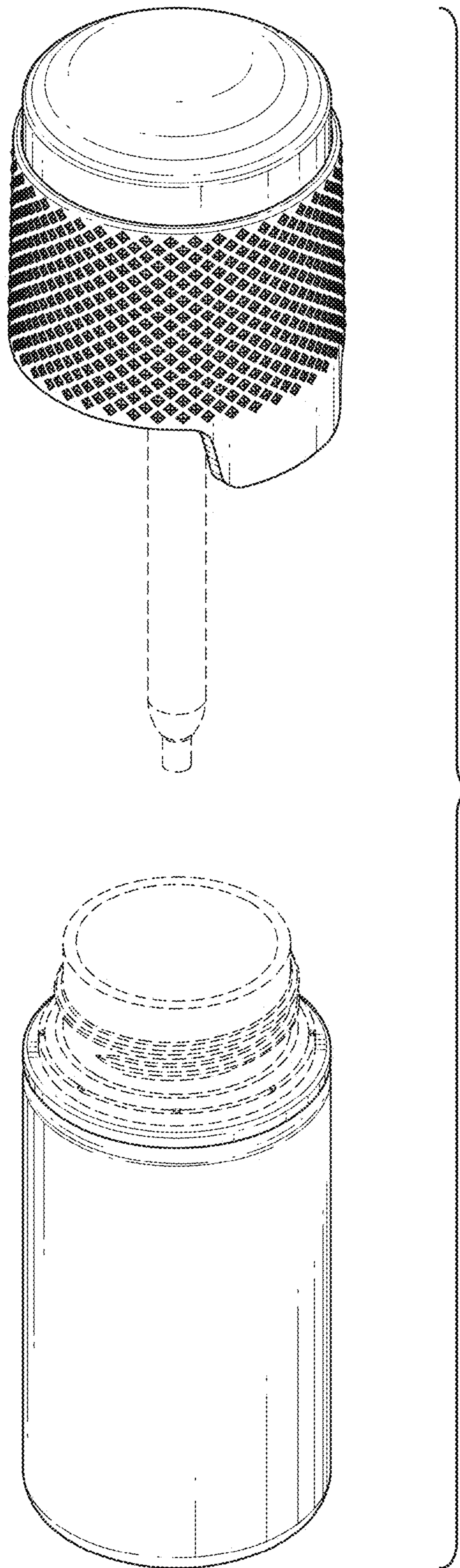


FIG. 9

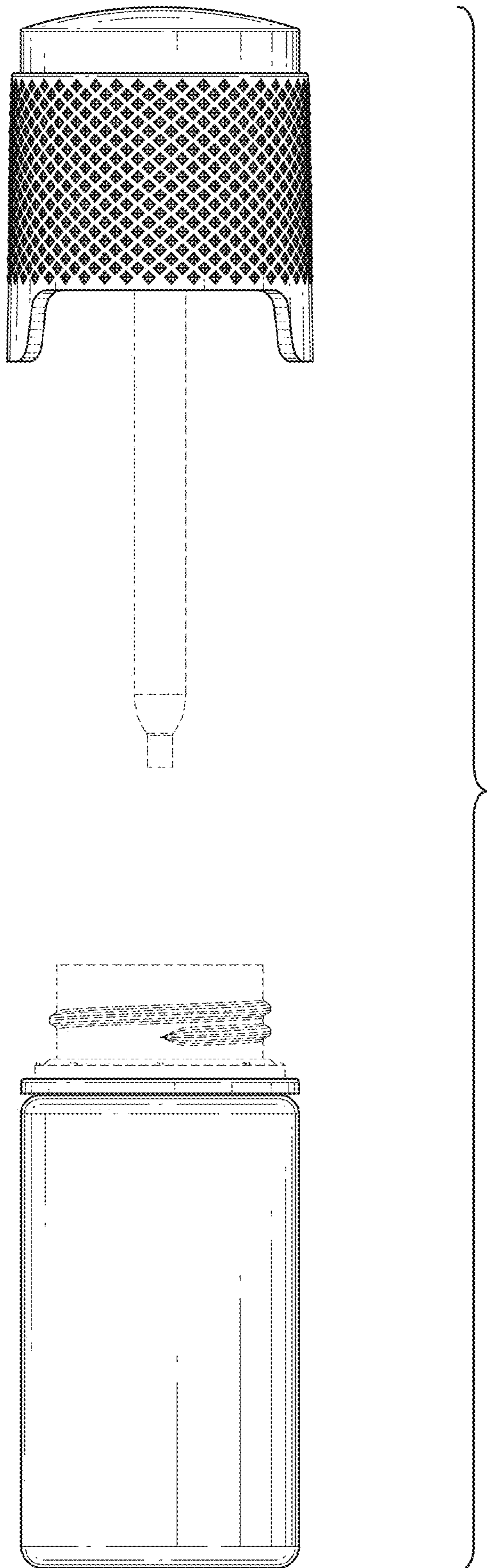


FIG. 10

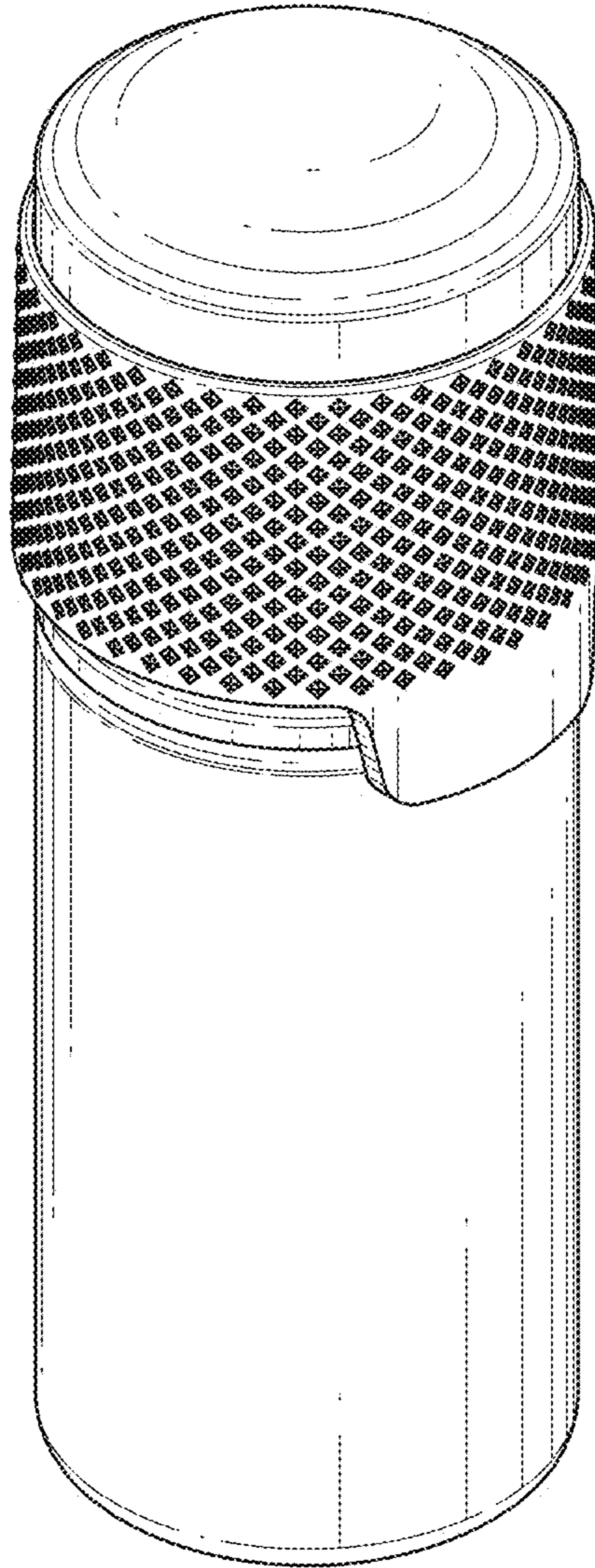


FIG. 11

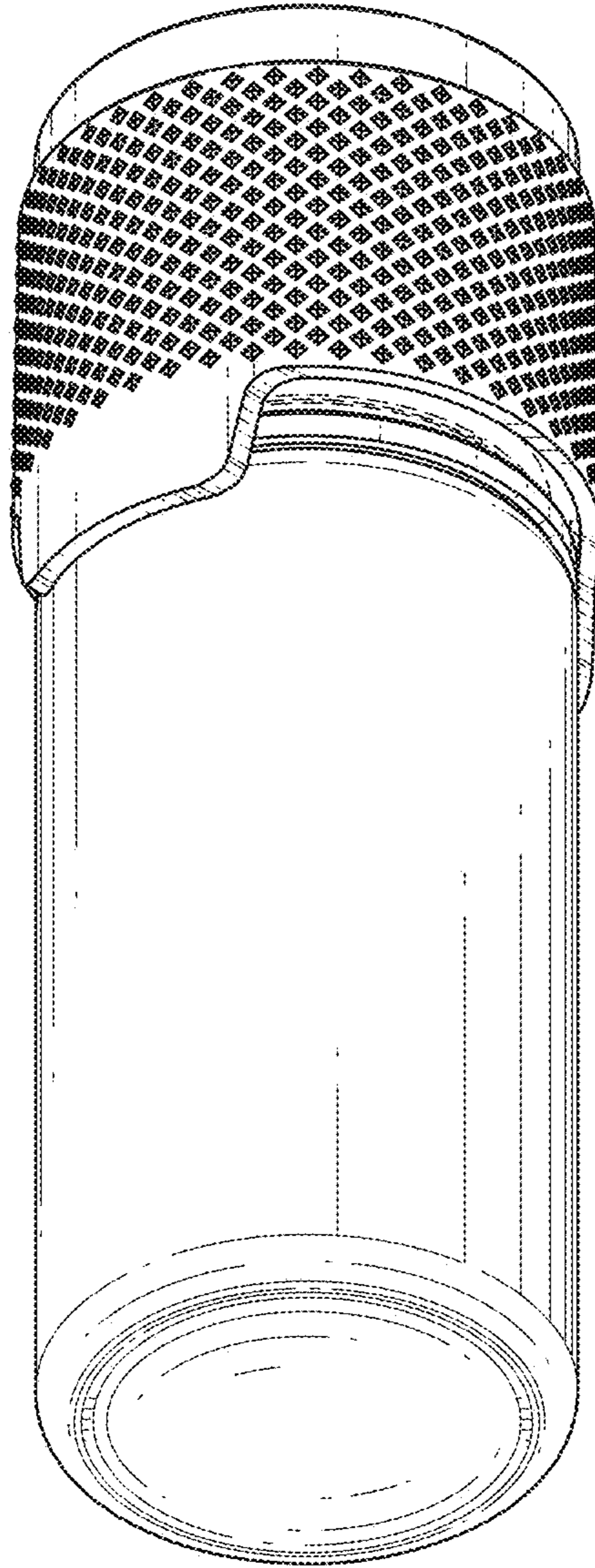


FIG. 12

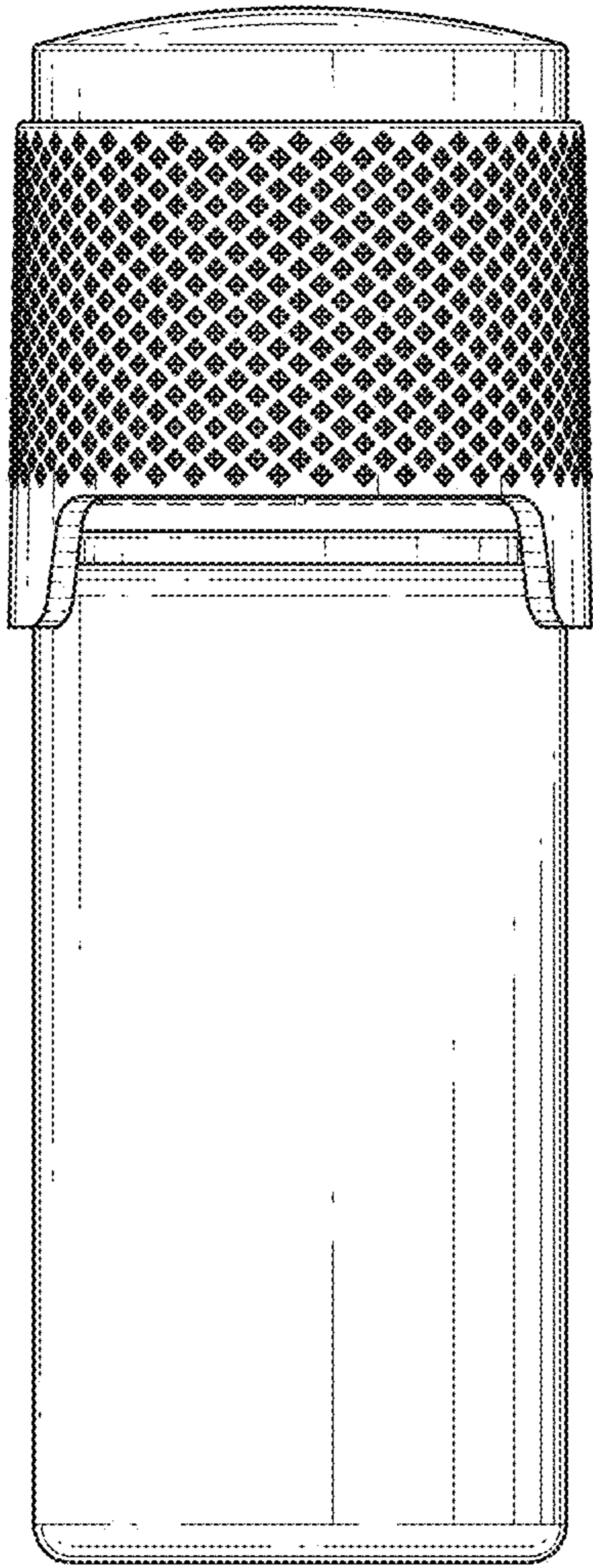


FIG. 13

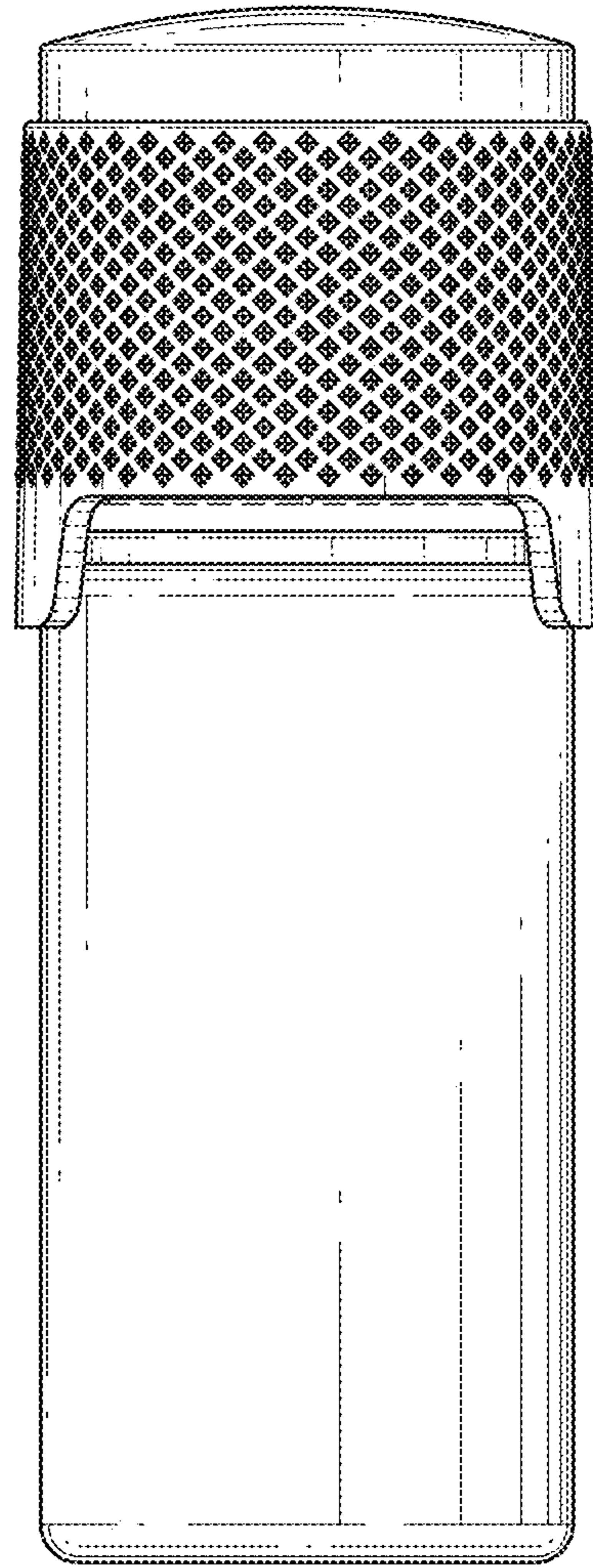


FIG. 14

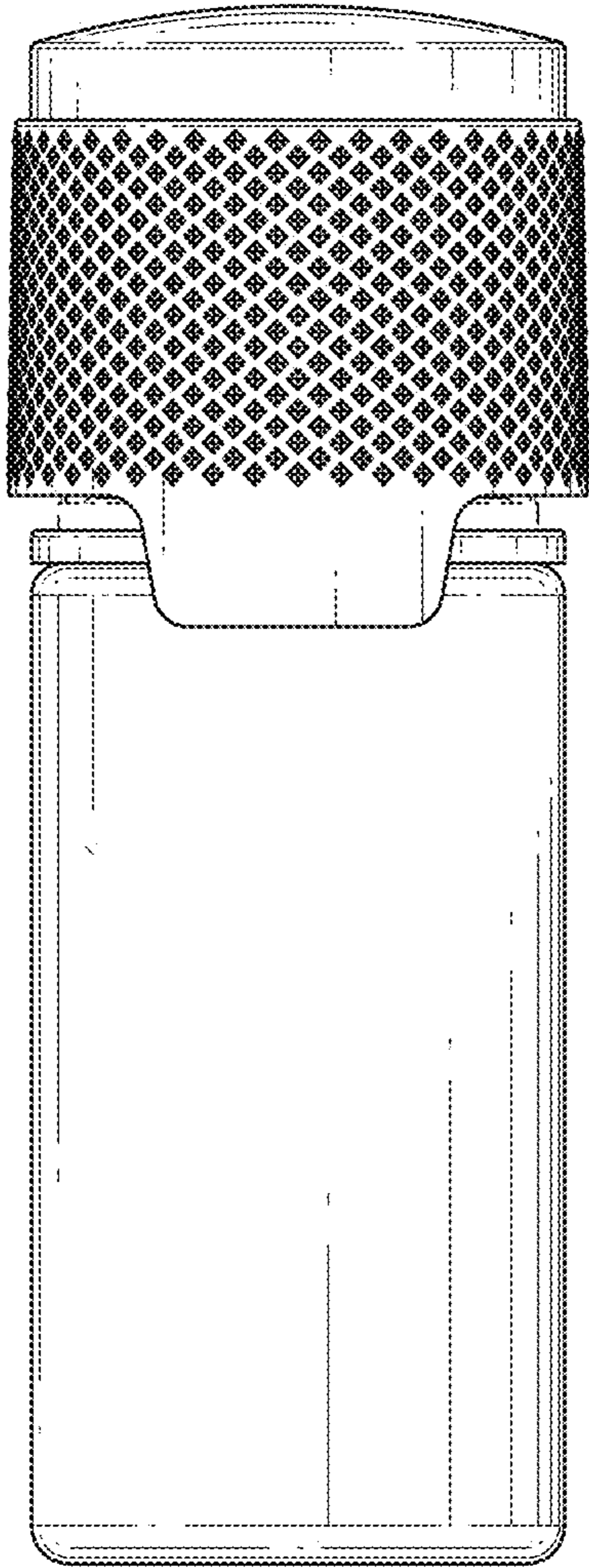


FIG. 15

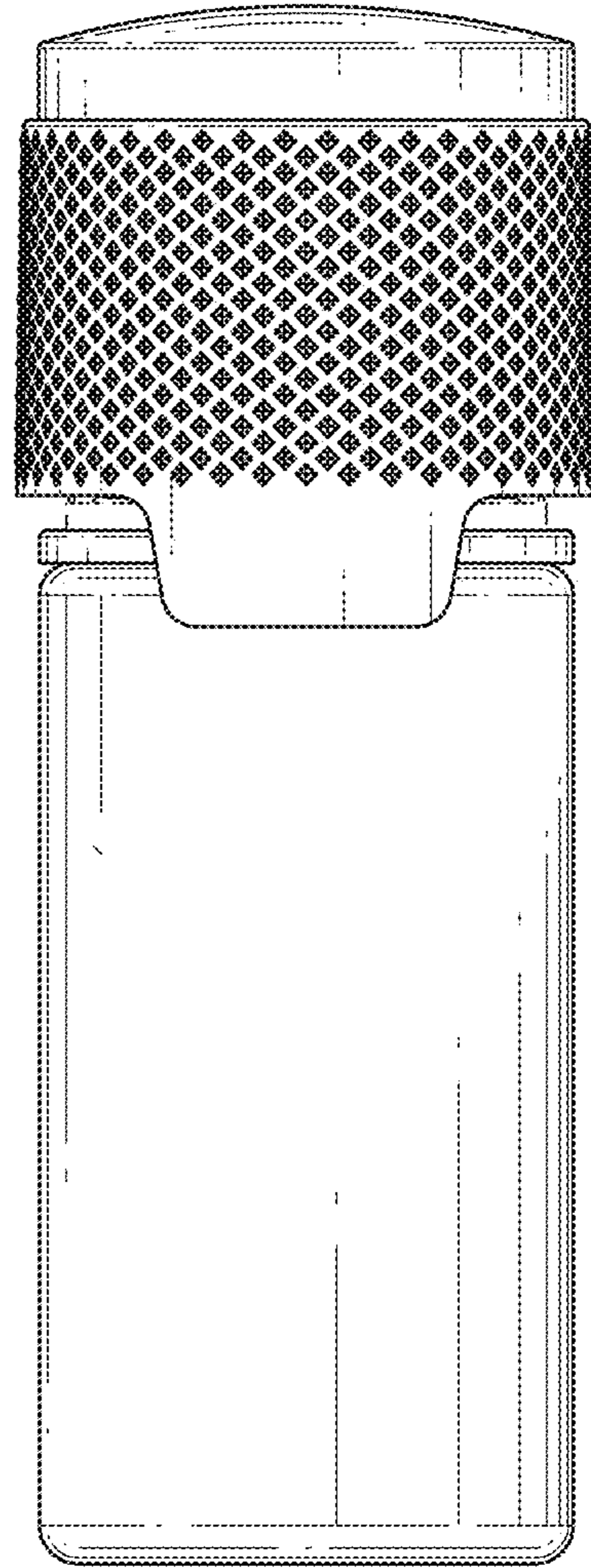


FIG. 16

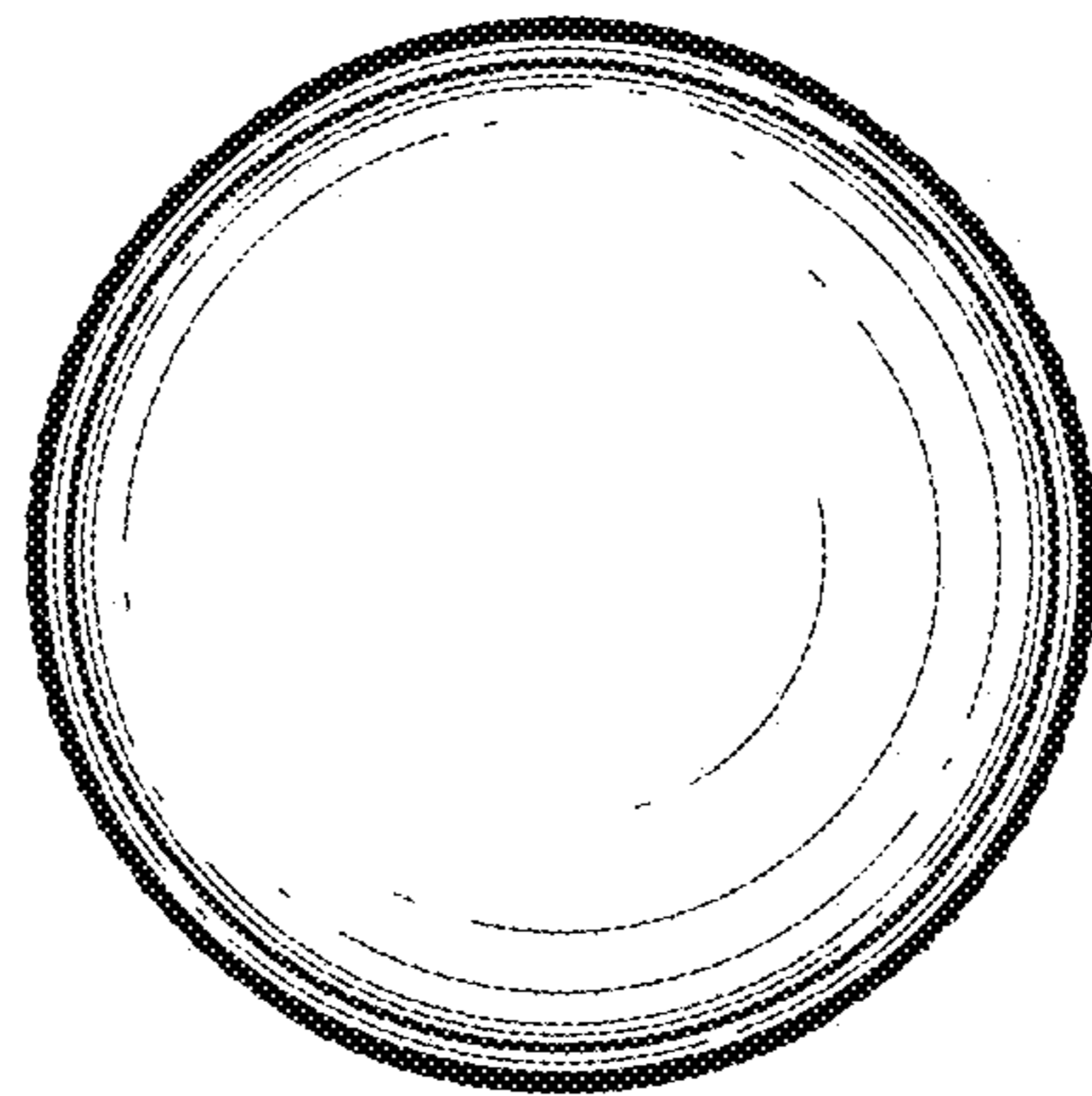


FIG. 17

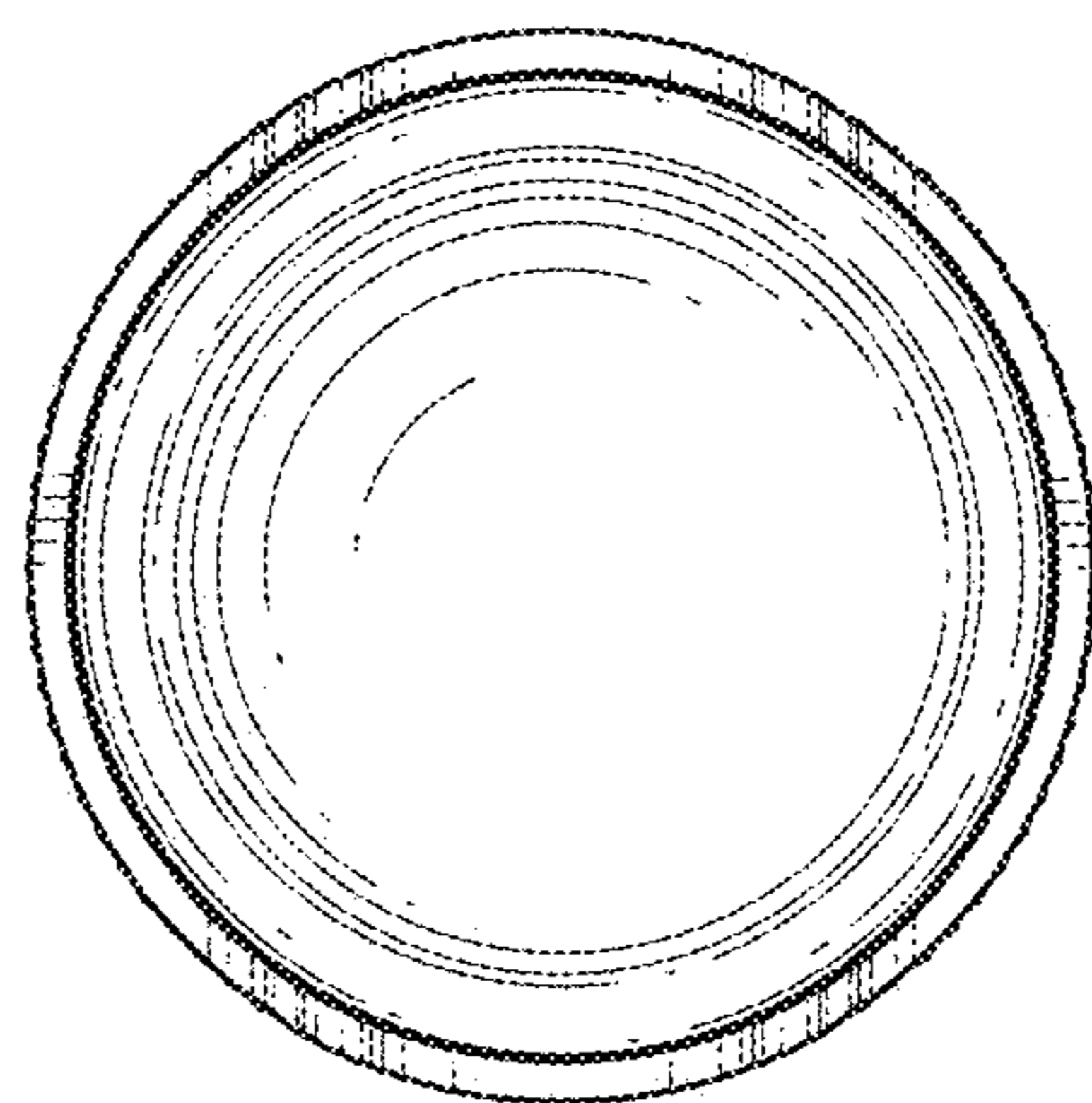


FIG. 18

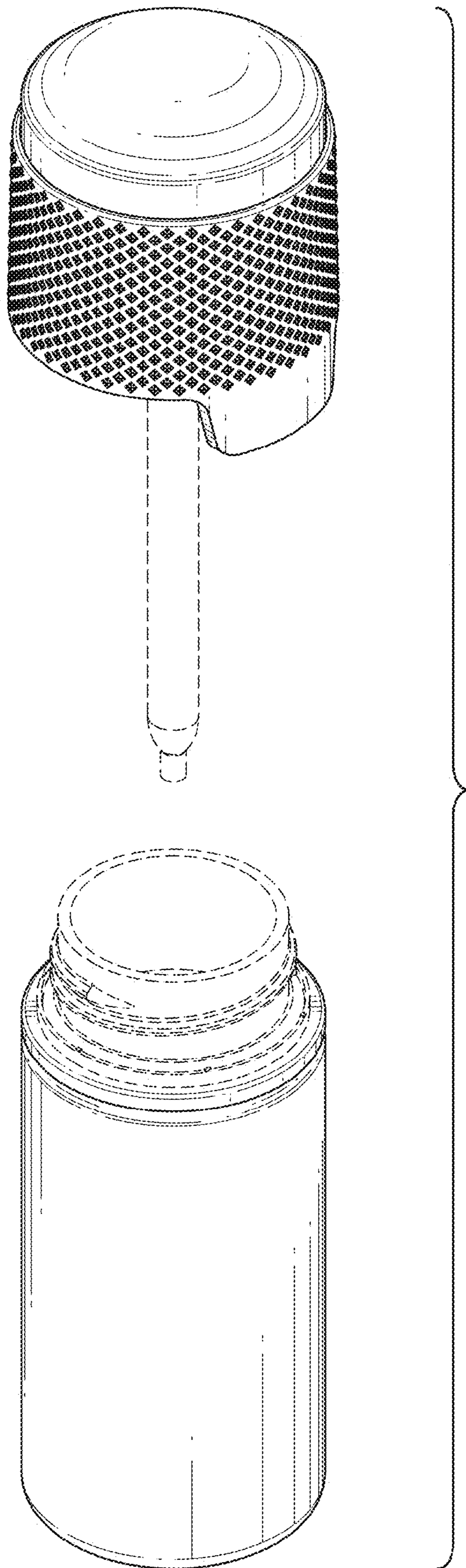


FIG. 19

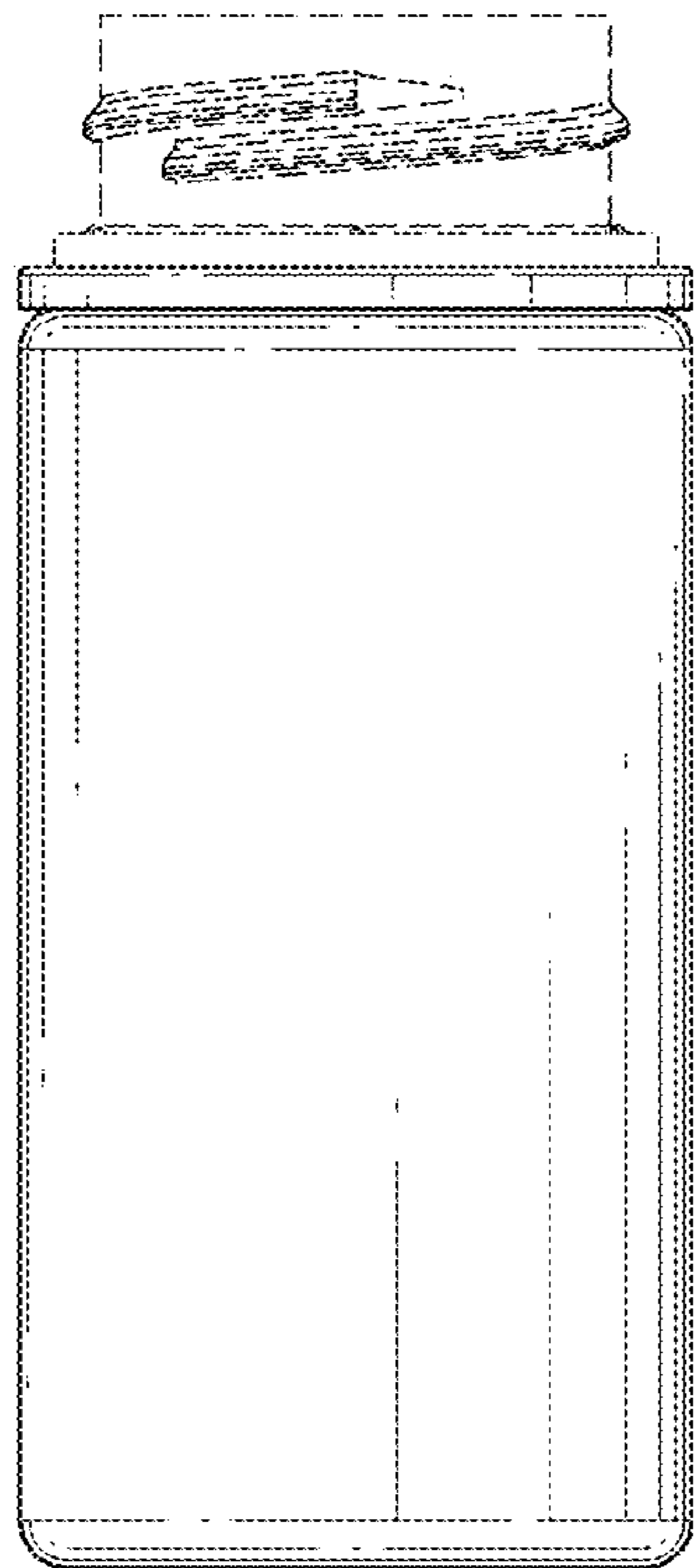
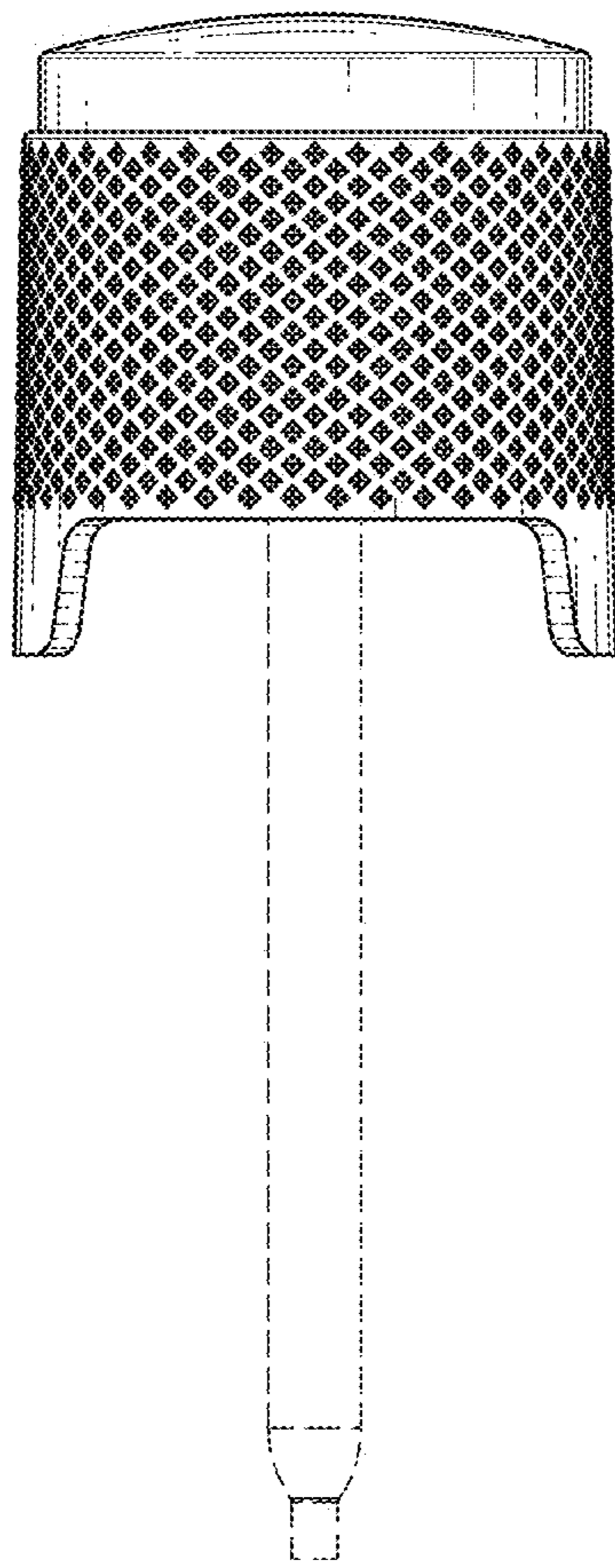


FIG. 20

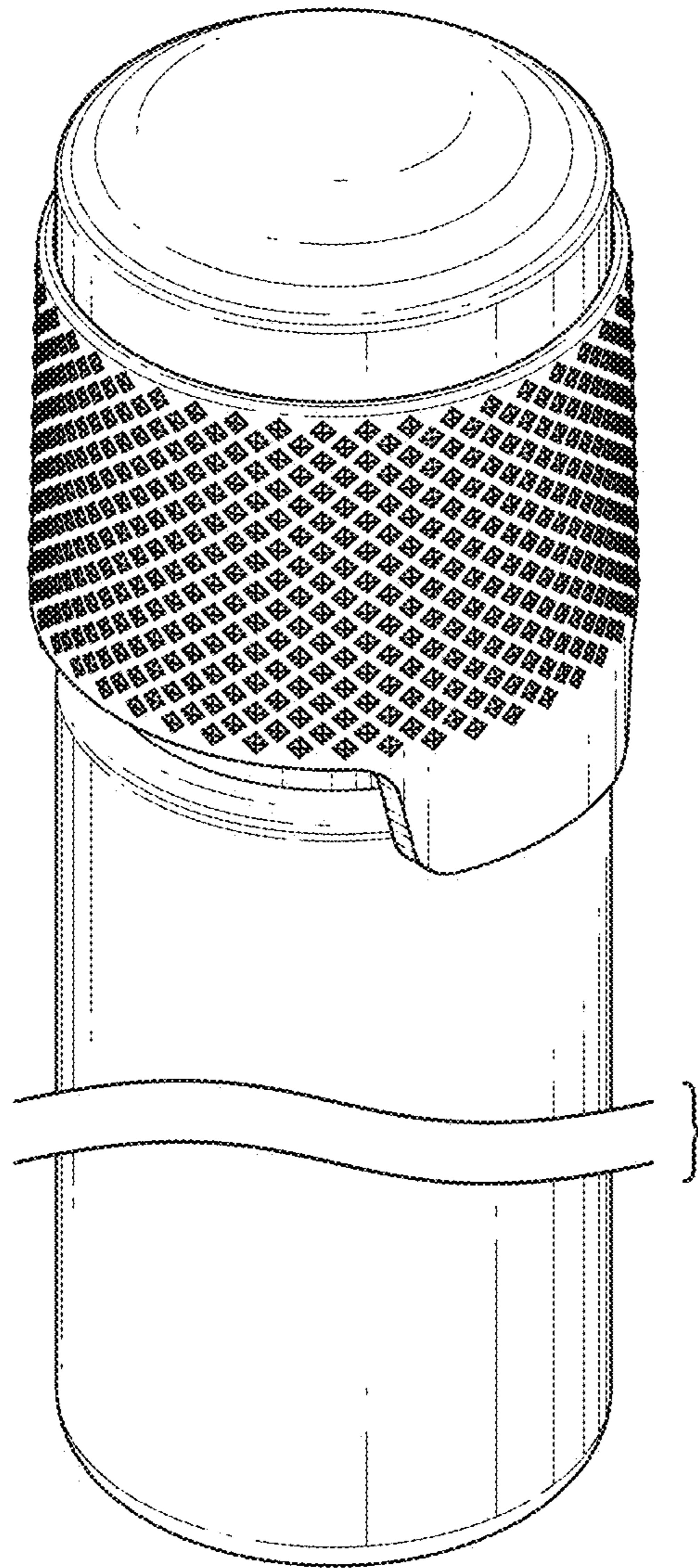


FIG. 21

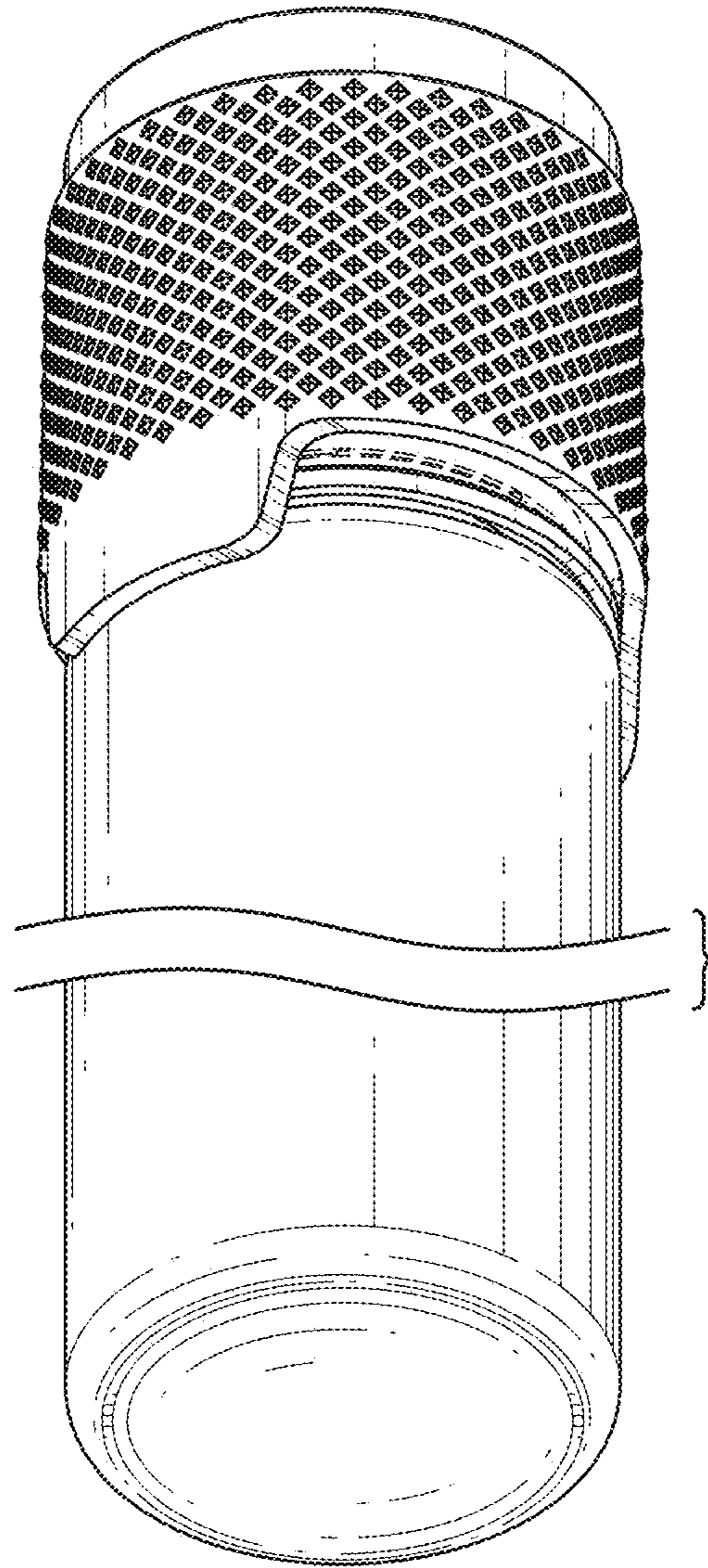


FIG. 22

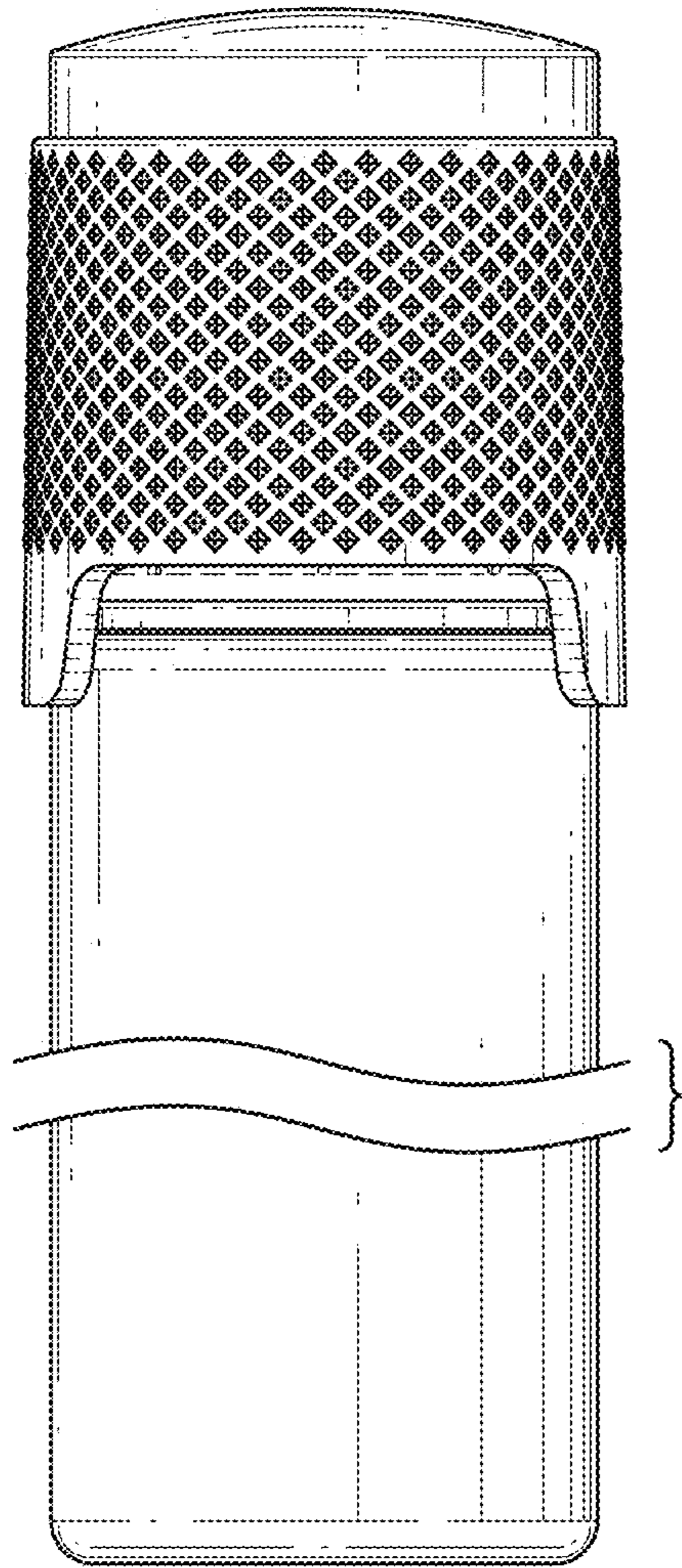


FIG. 23

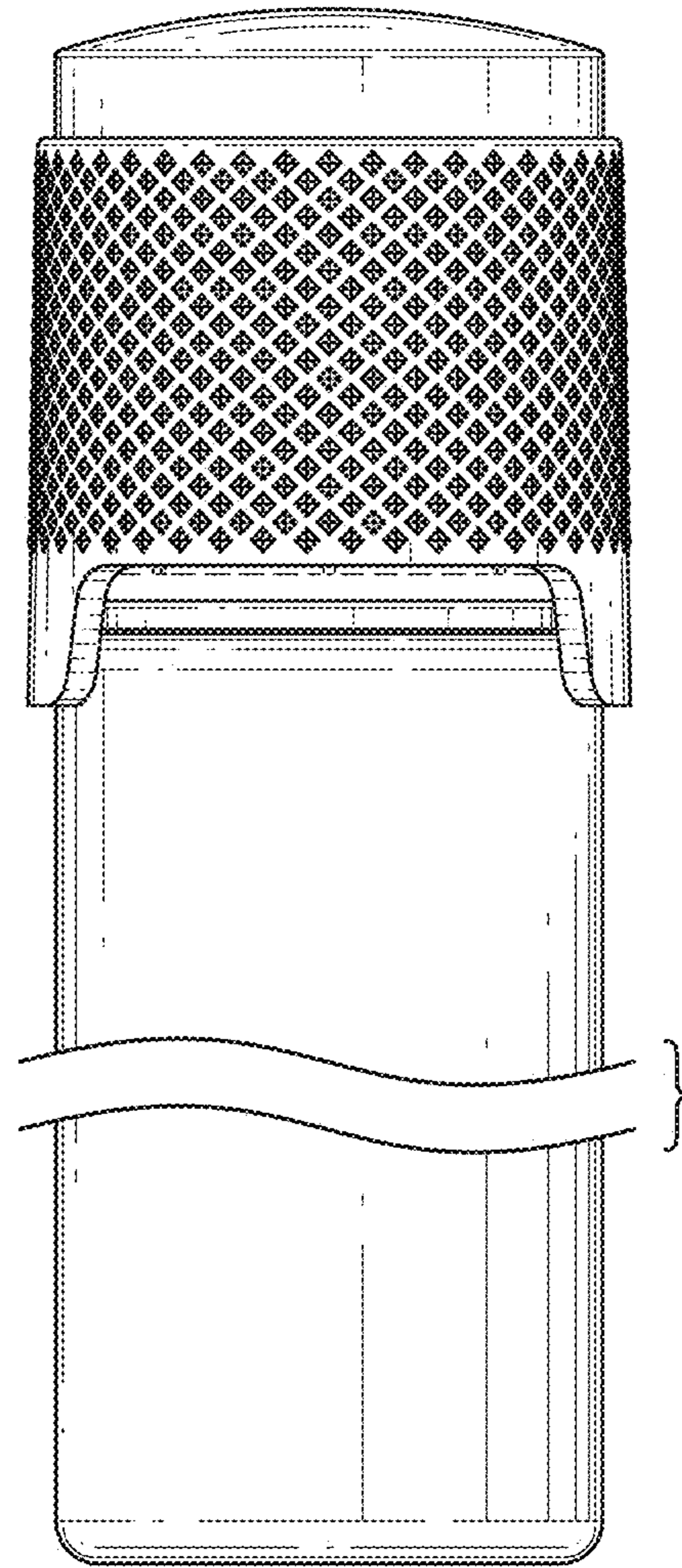


FIG. 24

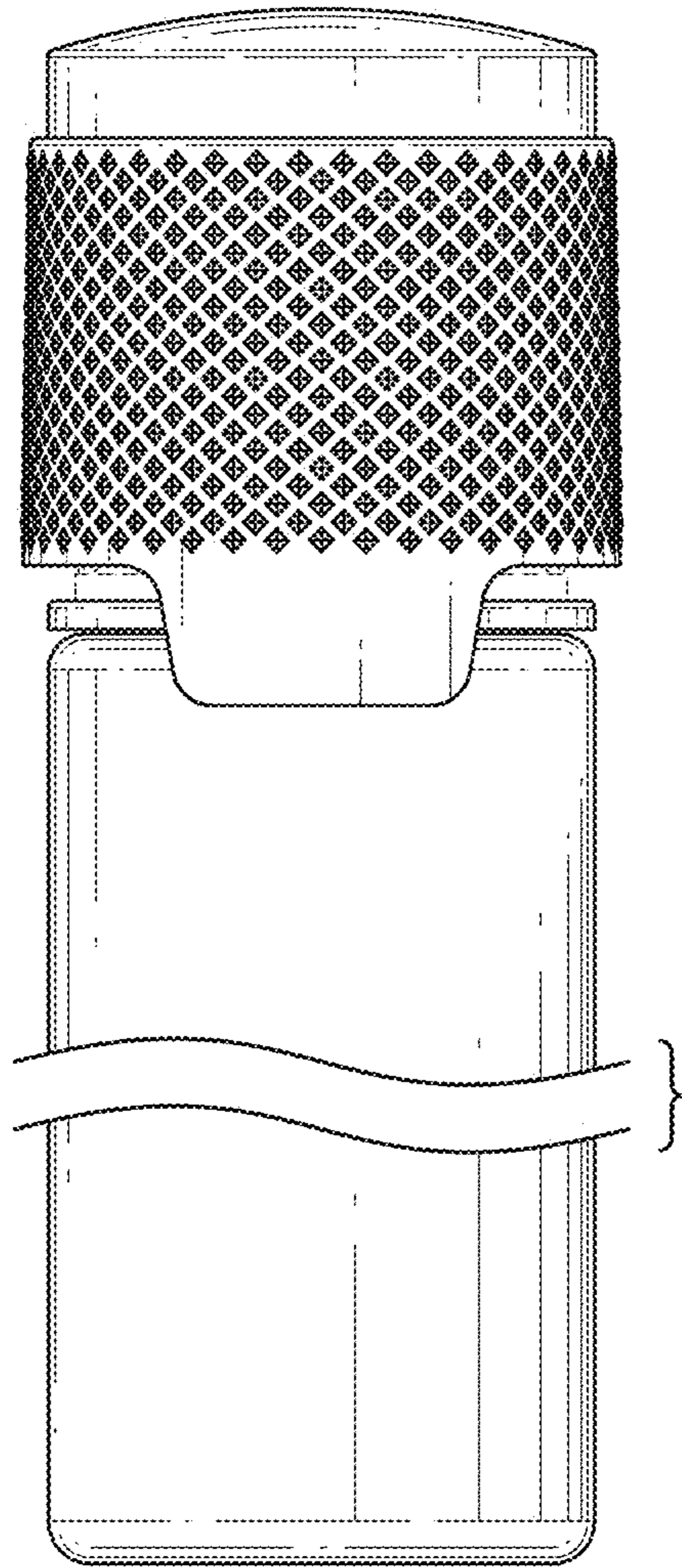


FIG. 25

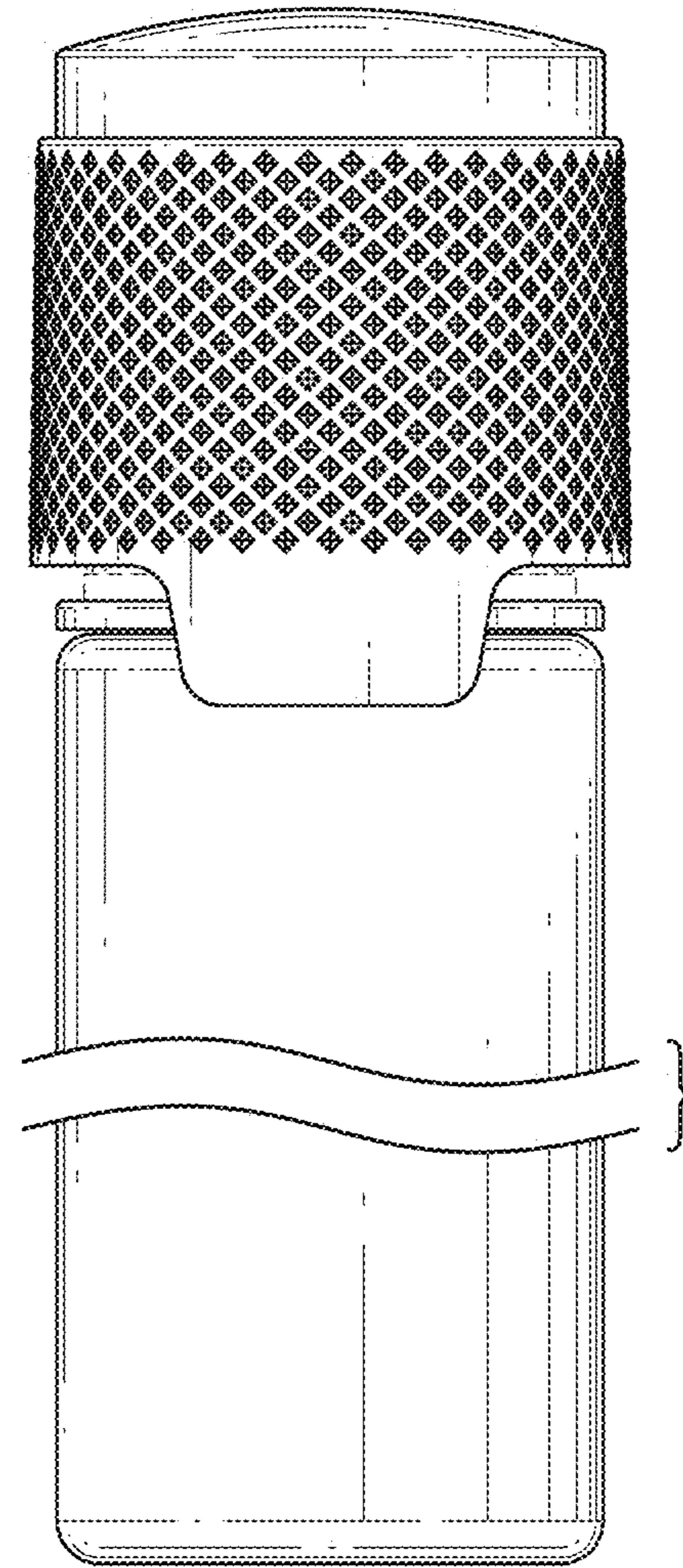


FIG. 26

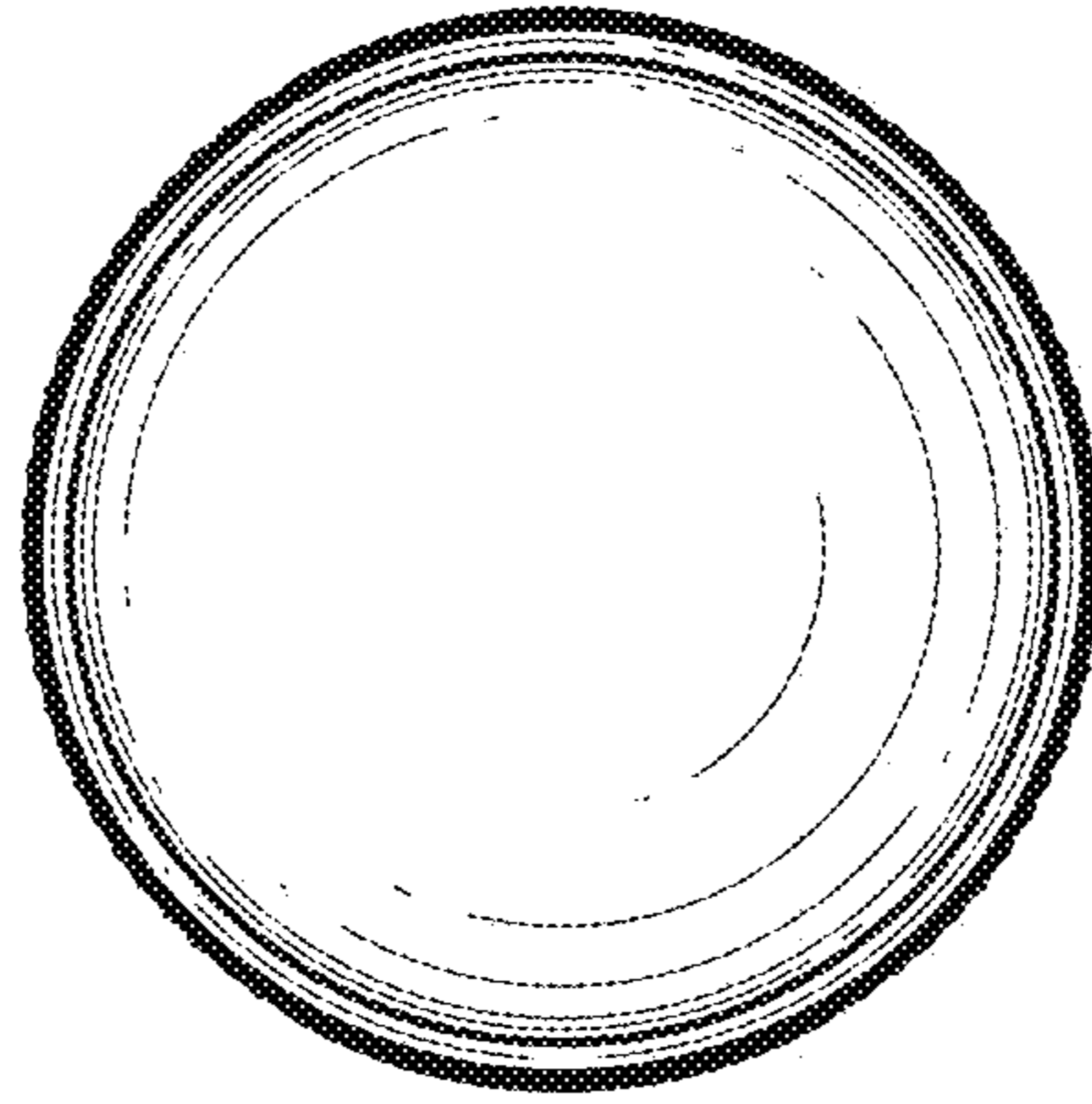


FIG. 27

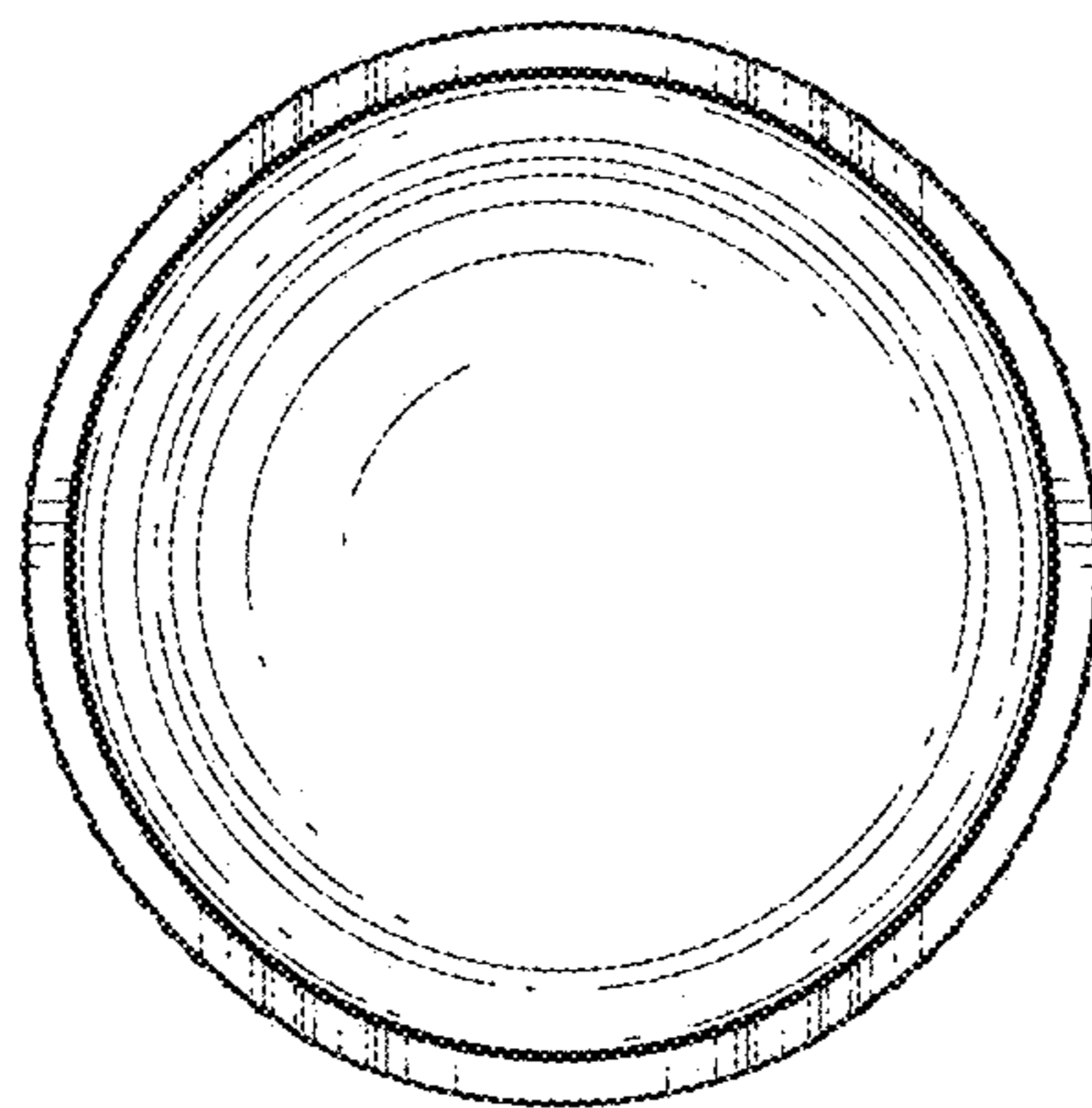


FIG. 28

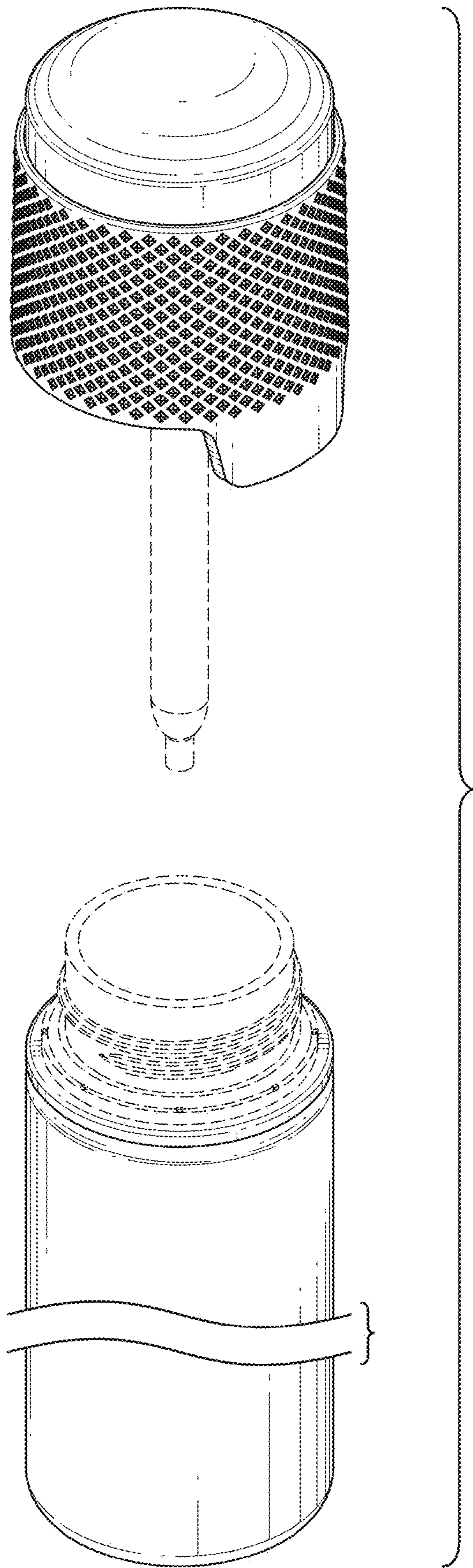


FIG. 29

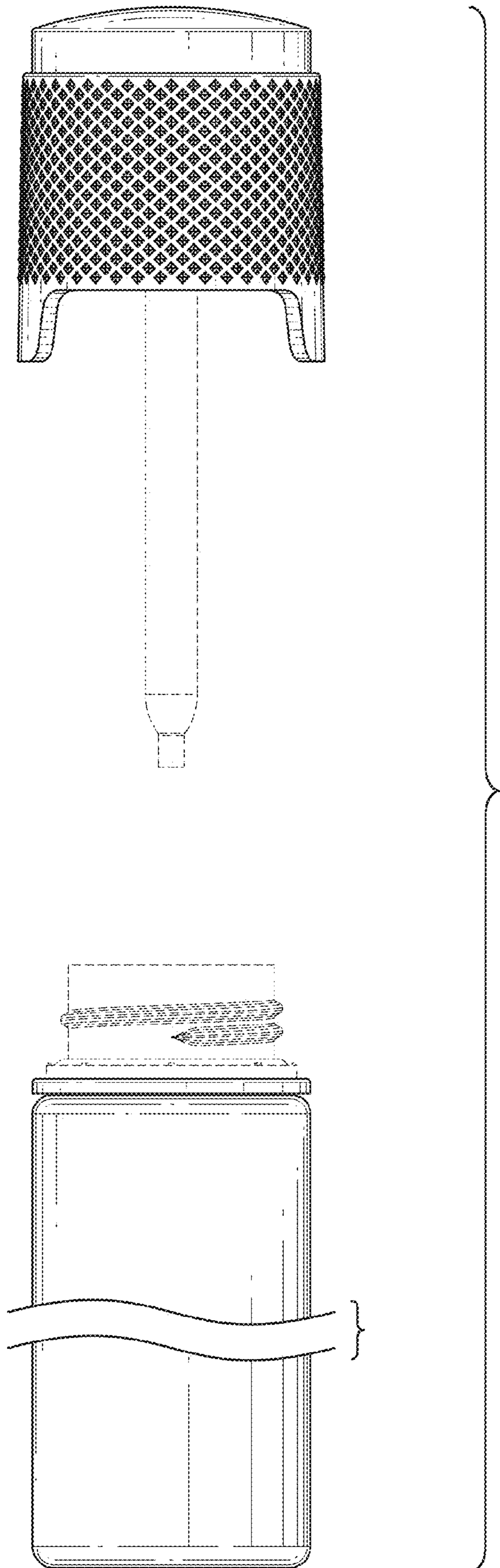


FIG. 30

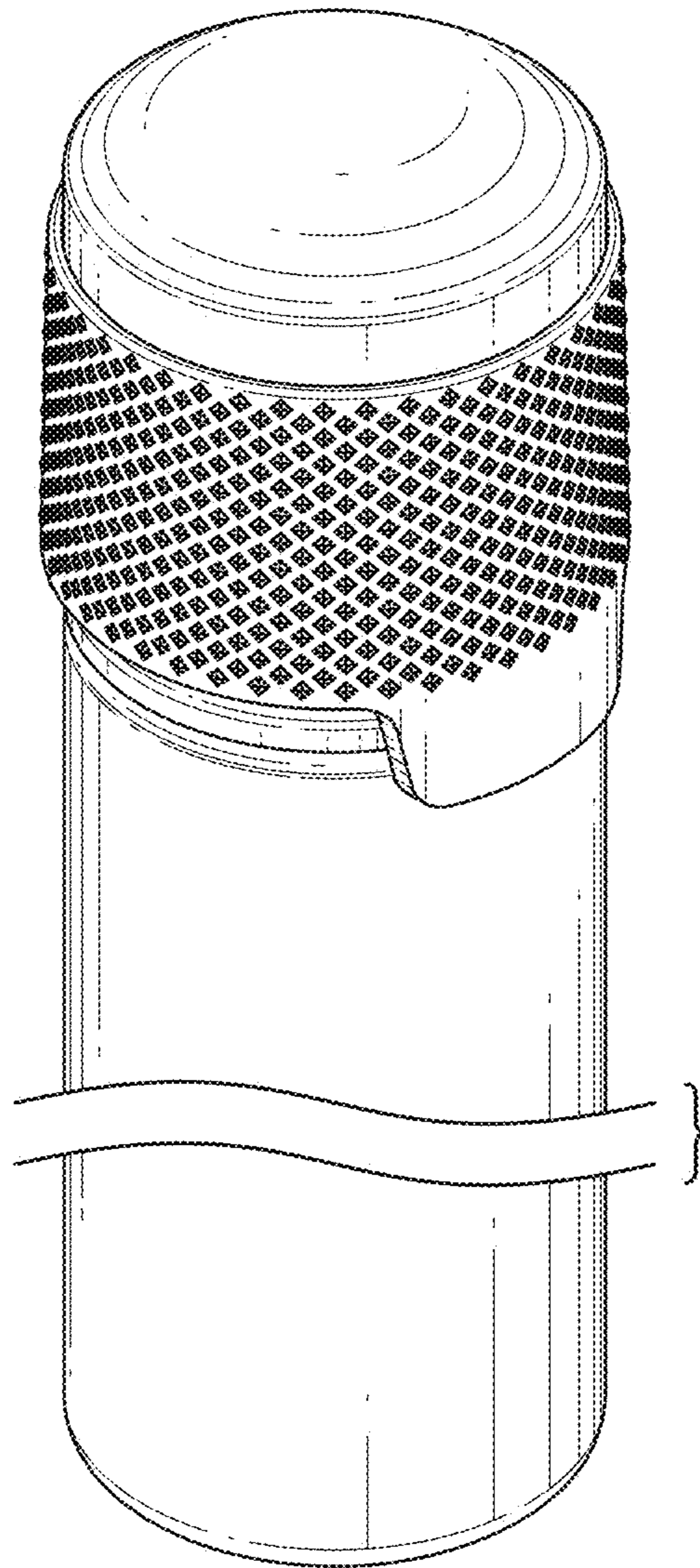


FIG. 31

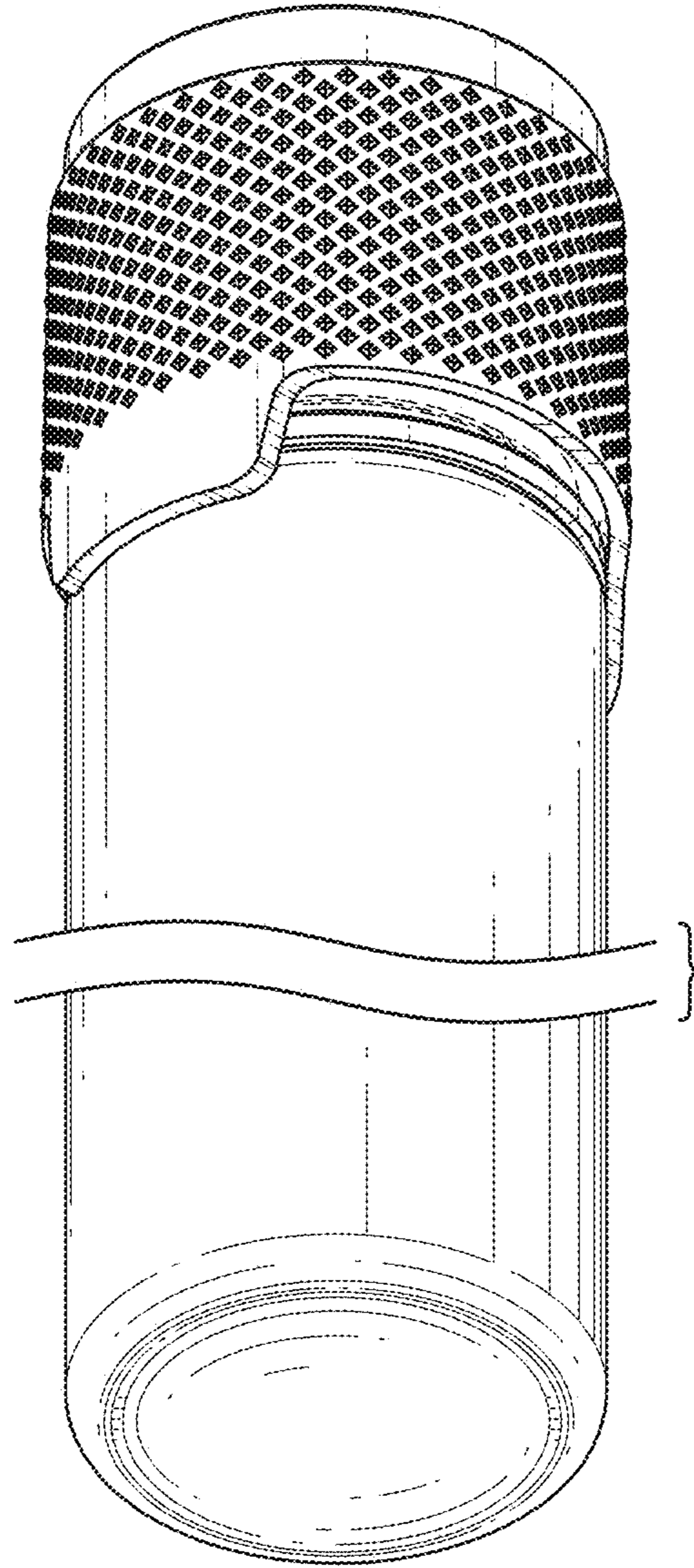


FIG. 32

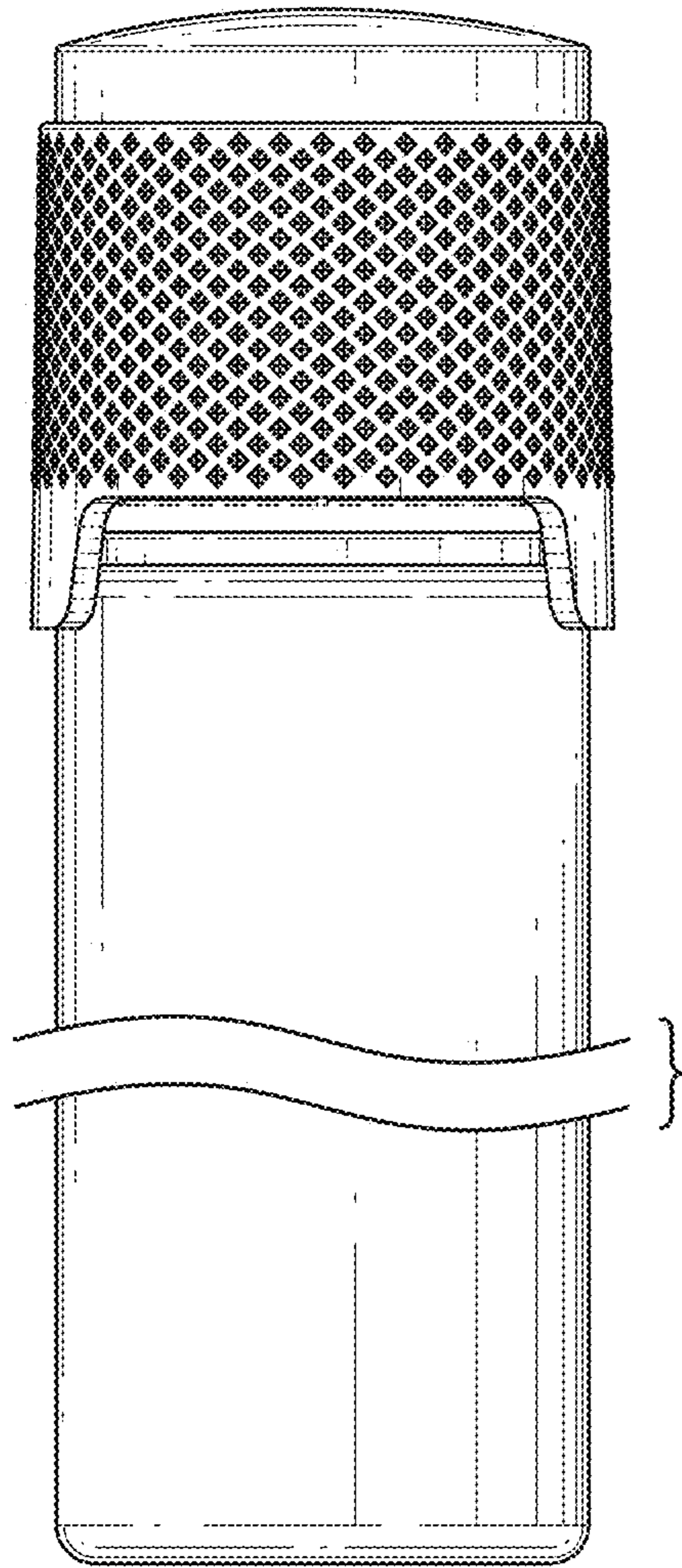


FIG. 33

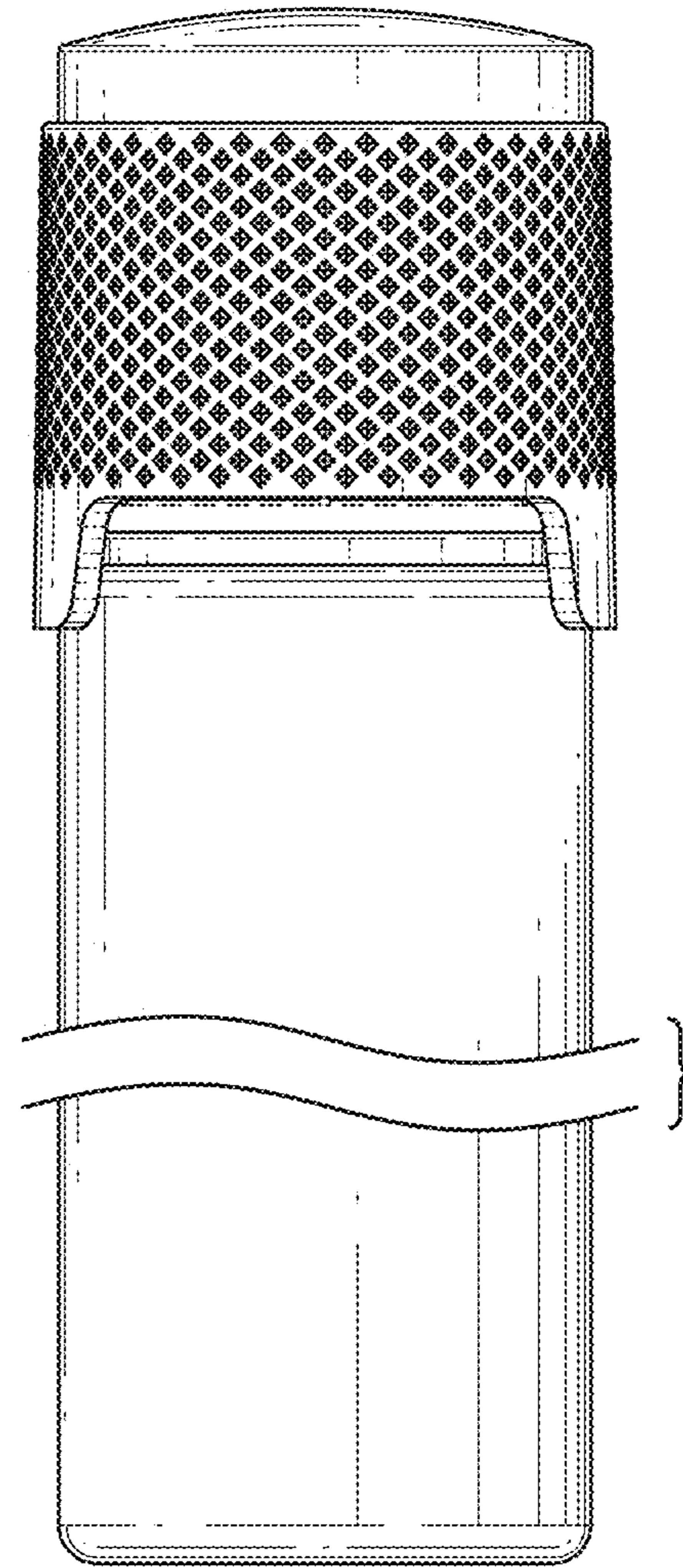


FIG. 34

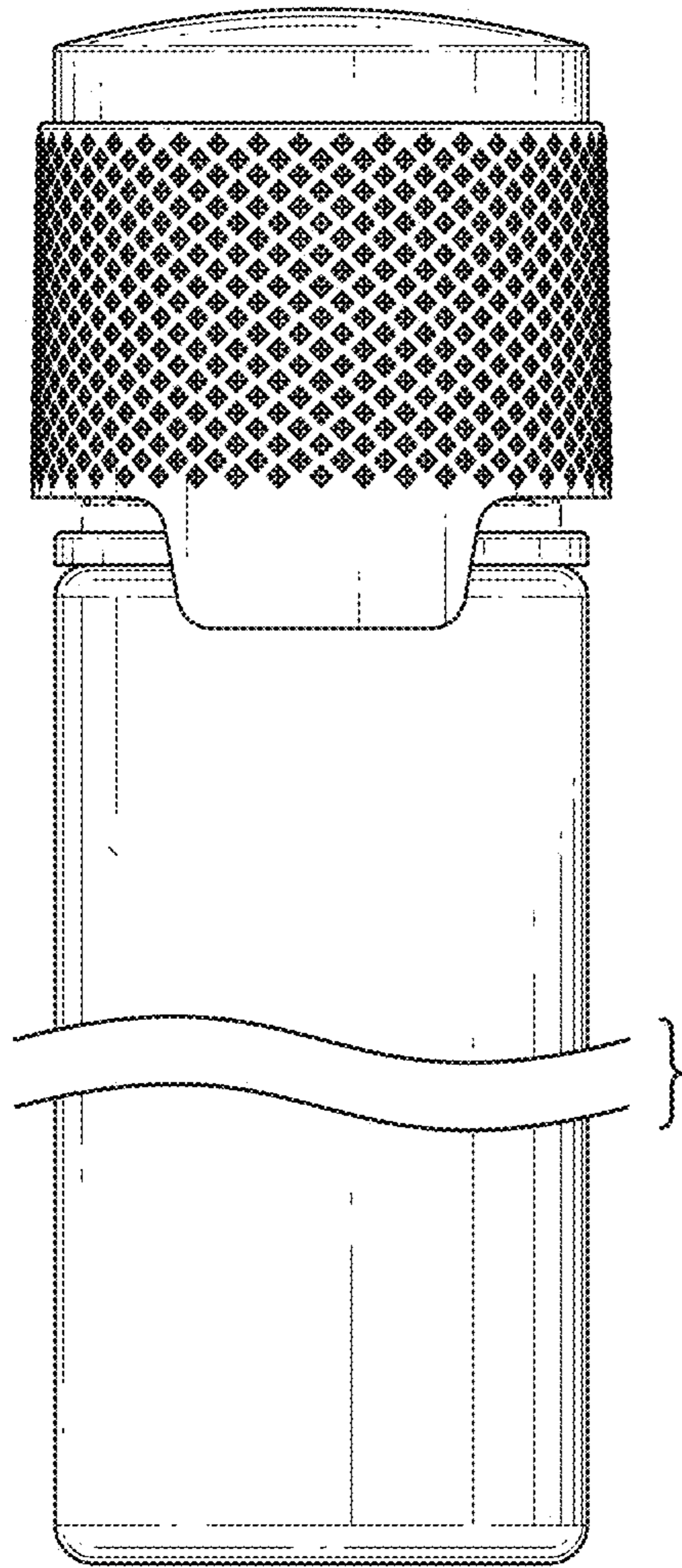


FIG. 35

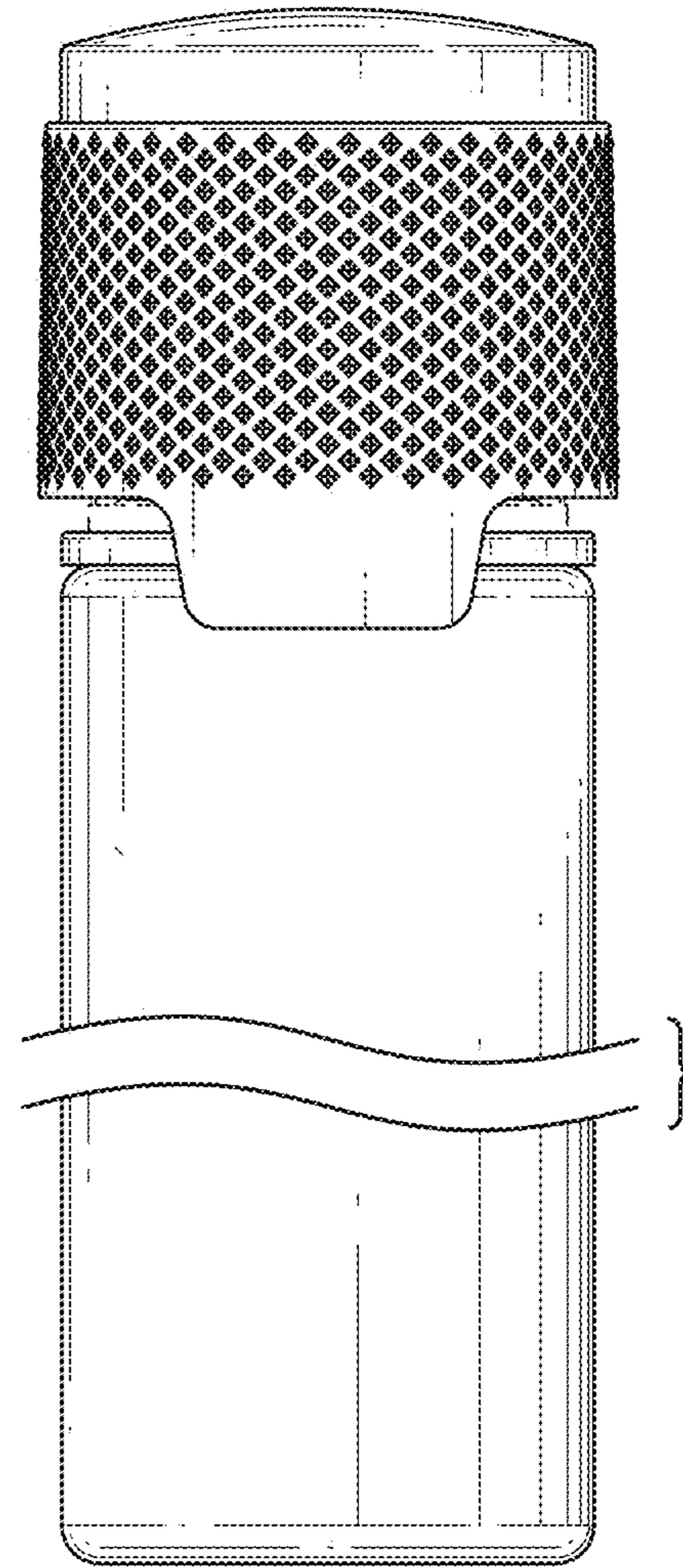


FIG. 36

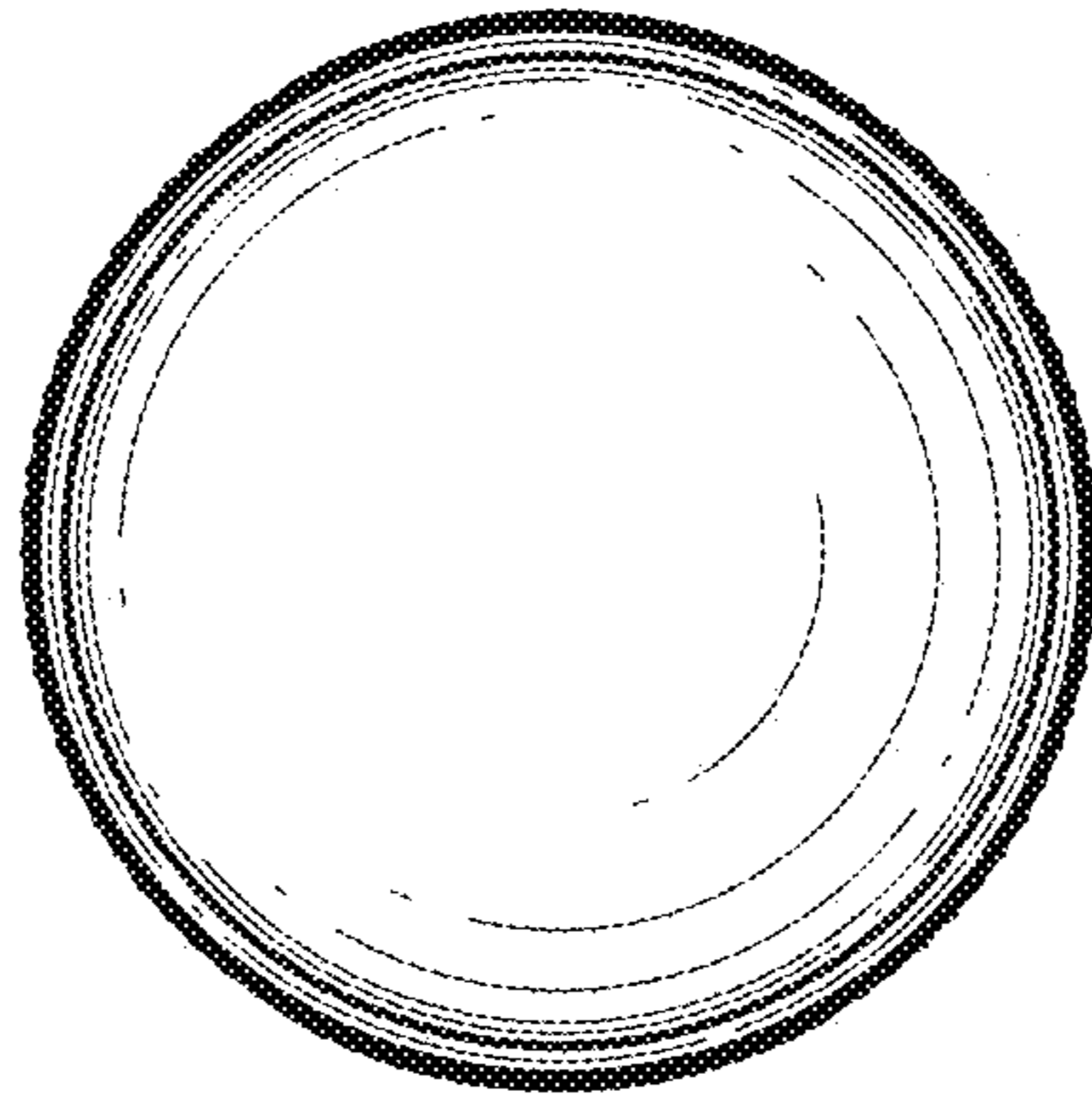


FIG. 37

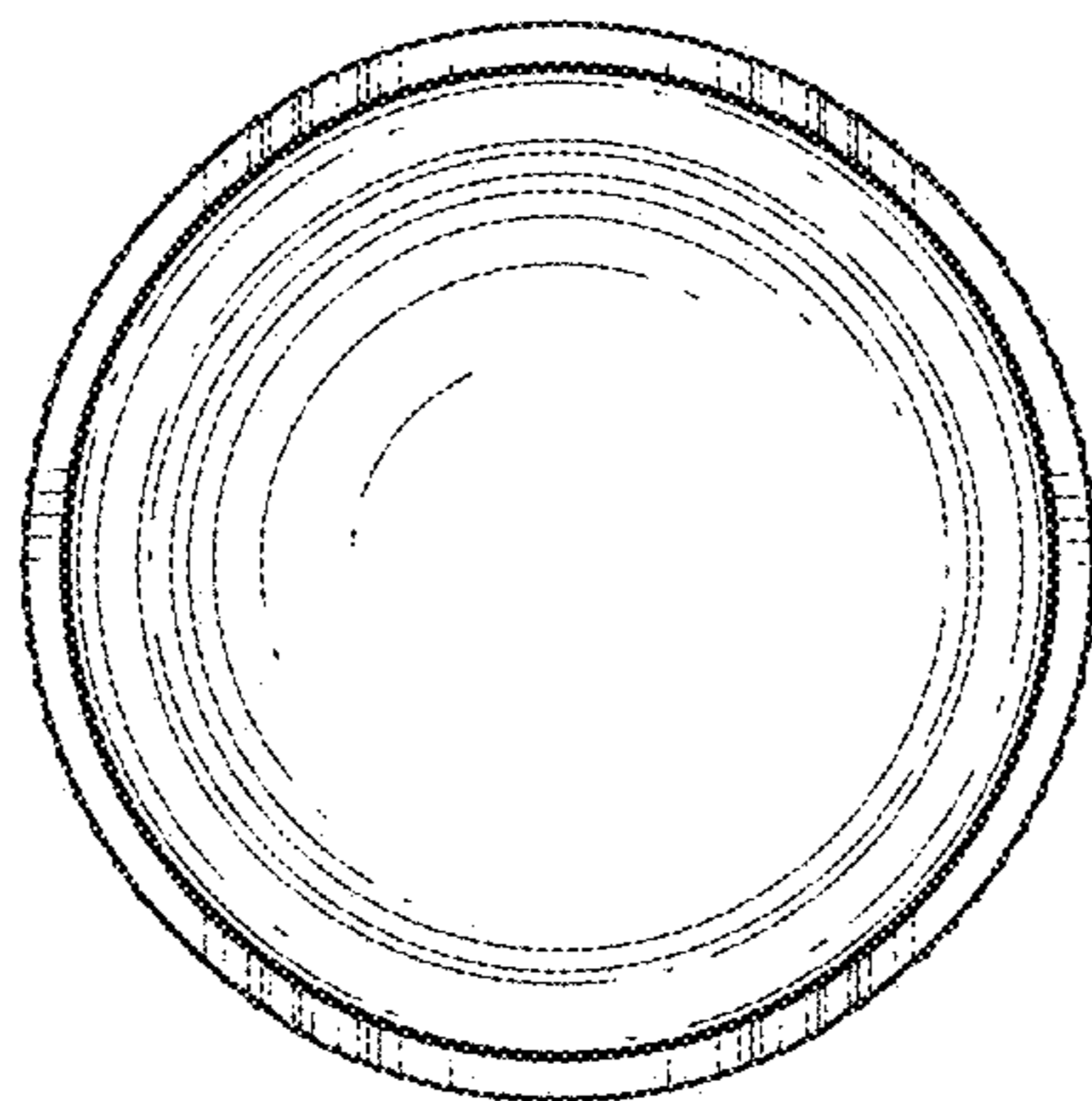


FIG. 38

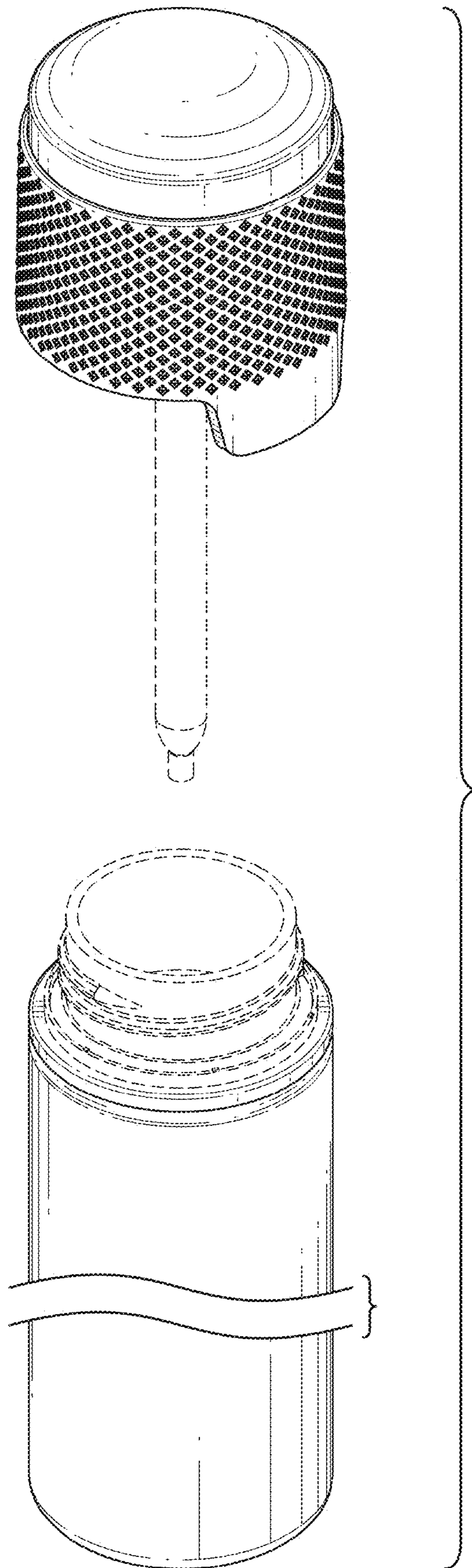


FIG. 39

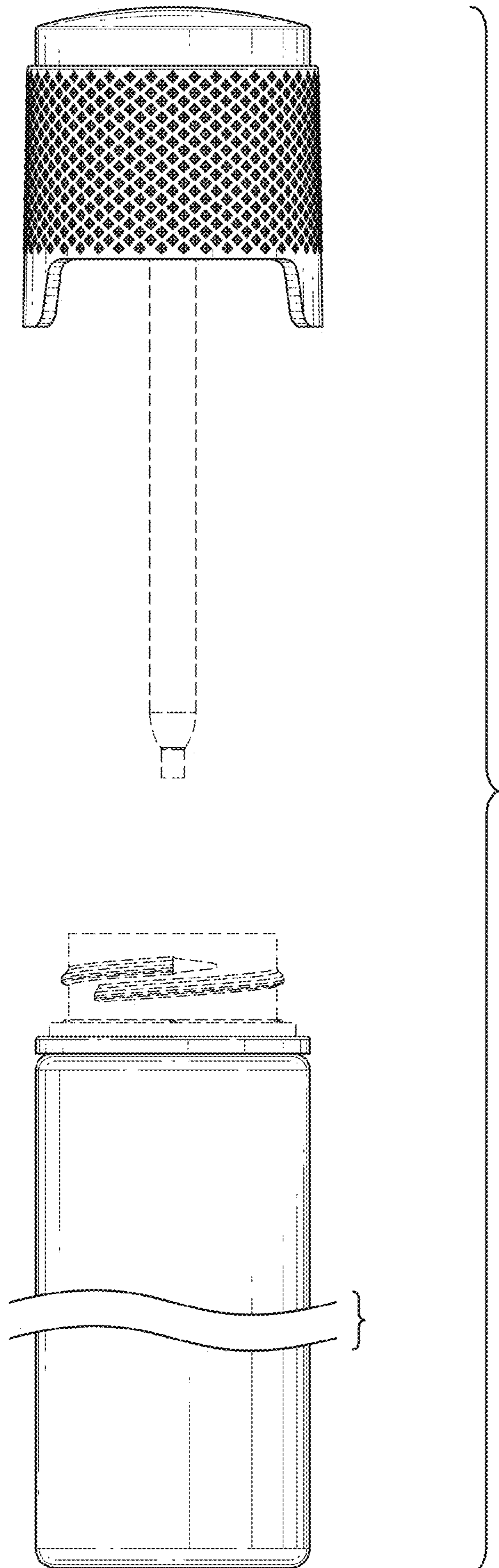


FIG. 40