



US00D893292S

(12) **United States Design Patent**
Lam

(10) **Patent No.:** **US D893,292 S**

(45) **Date of Patent:** **** Aug. 18, 2020**

(54) **PRODUCE CONTAINER**

(71) Applicant: **Multisteps Pty Ltd**, Silverwater, NSW
(AU)

(72) Inventor: **John Lam**, Silverwater (AU)

(**) Term: **15 Years**

(21) Appl. No.: **29/667,917**

(22) Filed: **Oct. 25, 2018**

(30) **Foreign Application Priority Data**

Oct. 19, 2018 (AU) 2018250515

(51) **LOC (12) Cl.** **09-03**

(52) **U.S. Cl.**
USPC **D9/425**

(58) **Field of Classification Search**
USPC D7/400, 601, 608; D9/416, 417, 420,
D9/425-429, 430, 432, 761; 206/499,
206/501, 502, 821; 220/625, 656, 669,
220/670, 674; 229/123.1, 123.2, 125.33,
229/125.35, 400-407, 915, 939
CPC . B65D 1/26; B65D 1/40; B65D 5/243; B65D
81/3453; B65D 2581/34; B65D
2581/3404; B65D 2581/3456
See application file for complete search history.

(56) **References Cited**

U.S. PATENT DOCUMENTS

D378,192 S * 2/1997 Krupa D9/425
D385,784 S * 11/1997 Krupa D9/425

D573,015 S * 7/2008 Chen D9/425
D601,013 S * 9/2009 Petitjean D9/426
D683,623 S * 6/2013 Chen D9/423
9,580,234 B2 * 2/2017 Lam B65D 85/34
D801,806 S * 11/2017 Pickard D9/425
10,220,985 B2 * 3/2019 Allers B65D 43/0235

* cited by examiner

Primary Examiner — Janice Patyk

(74) *Attorney, Agent, or Firm* — Thomas P. O’Connell;
O’Connell Law Firm

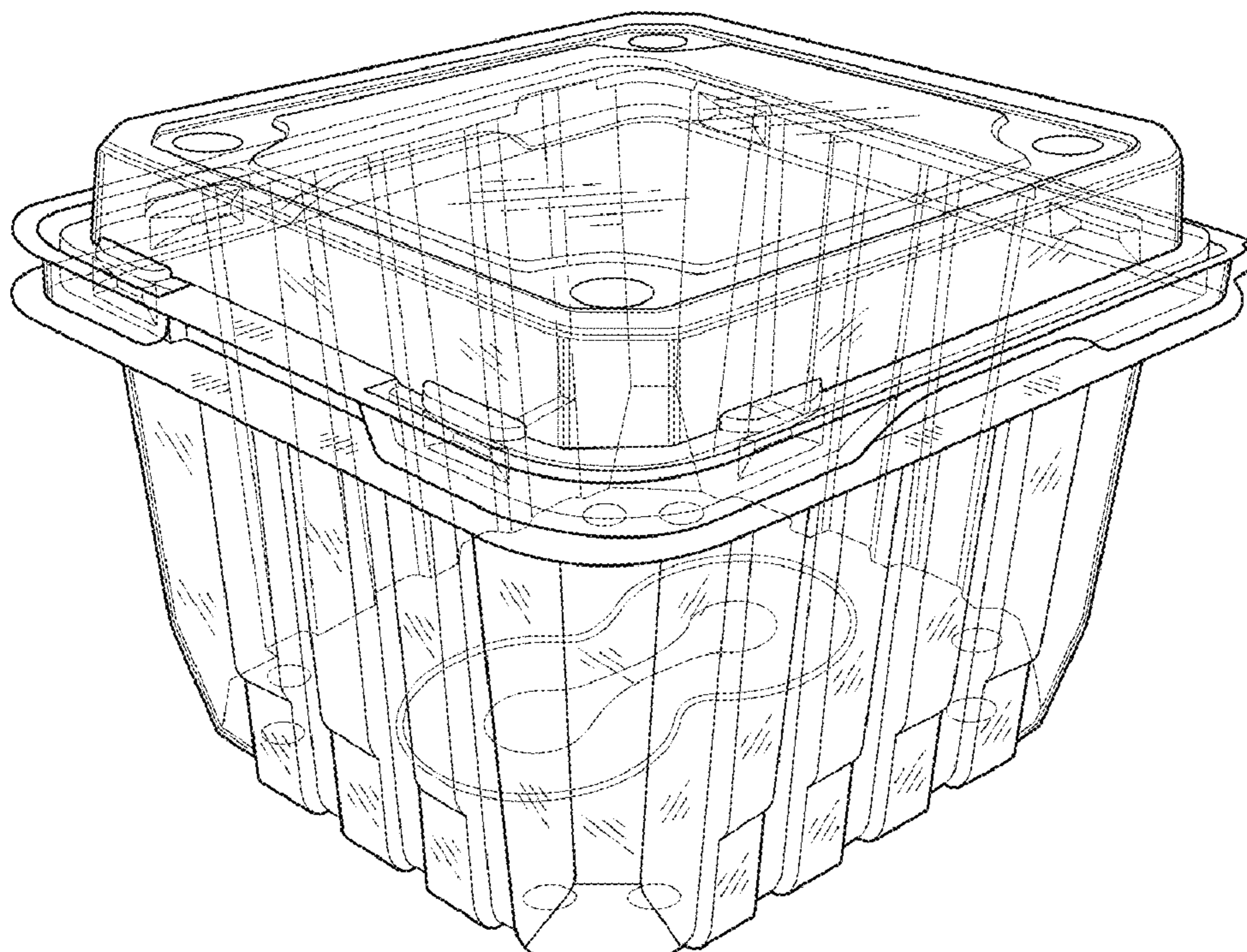
(57) **CLAIM**

The ornamental design for a produce container, as shown and described.

DESCRIPTION

FIG. 1 is a top perspective view of a produce container showing my new design;
FIG. 2 is a bottom perspective view thereof;
FIG. 3 is a top plan view thereof;
FIG. 4 is a left side elevation view thereof, the right side elevation view being a mirror image thereof;
FIG. 5 is a front elevation view thereof;
FIG. 6 is a rear elevation view thereof;
FIG. 7 is a bottom plan view thereof;
FIG. 8 is a top perspective view thereof, shown with the lid open; and,
FIG. 9 is a partially enlarged top perspective view thereof, taken from FIG. 8.
The dot-dash broken lines of FIGS. 8 and 9 are included to show partially enlarged views only and form no part of the claimed design.

1 Claim, 6 Drawing Sheets



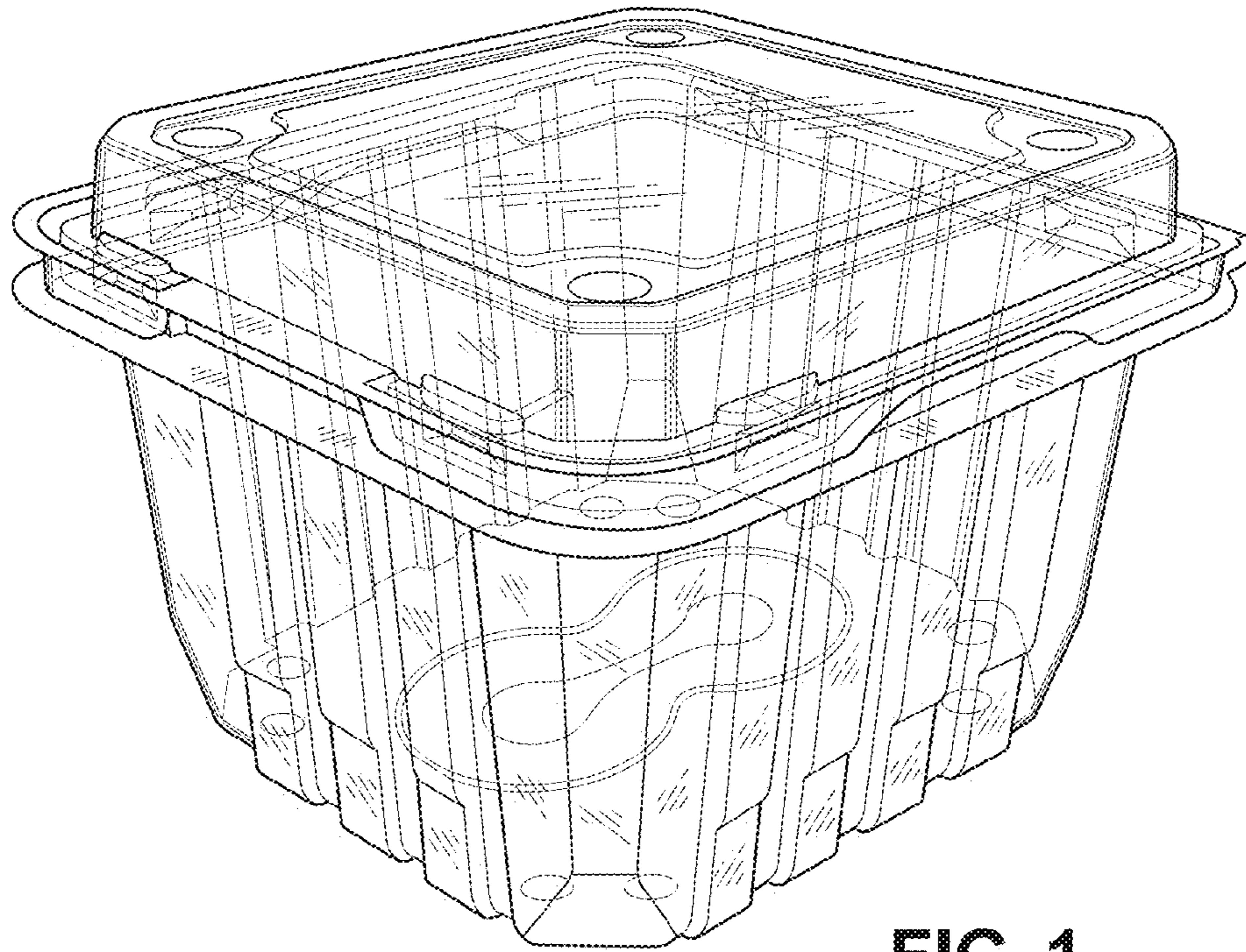


FIG. 1

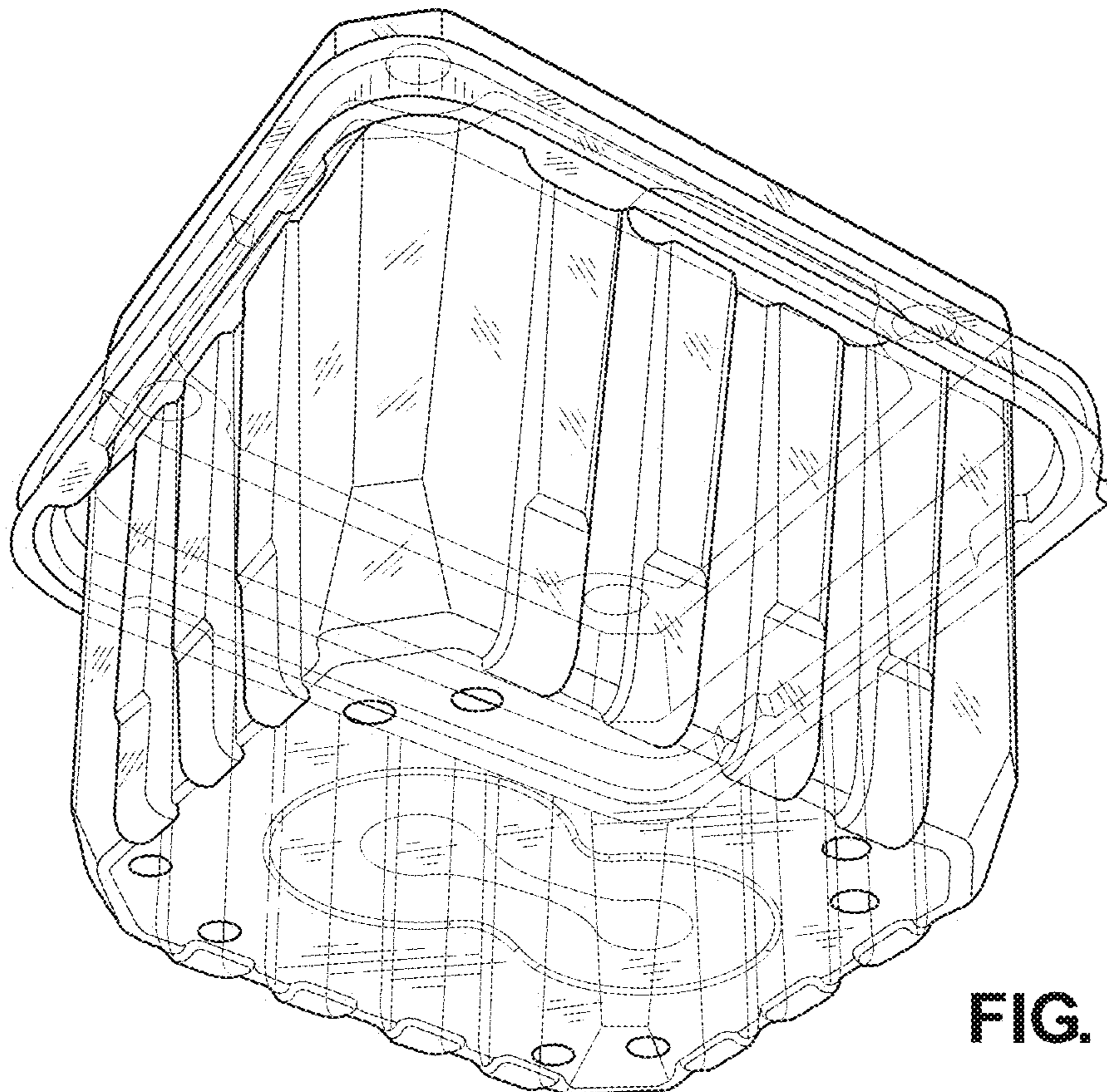


FIG. 2

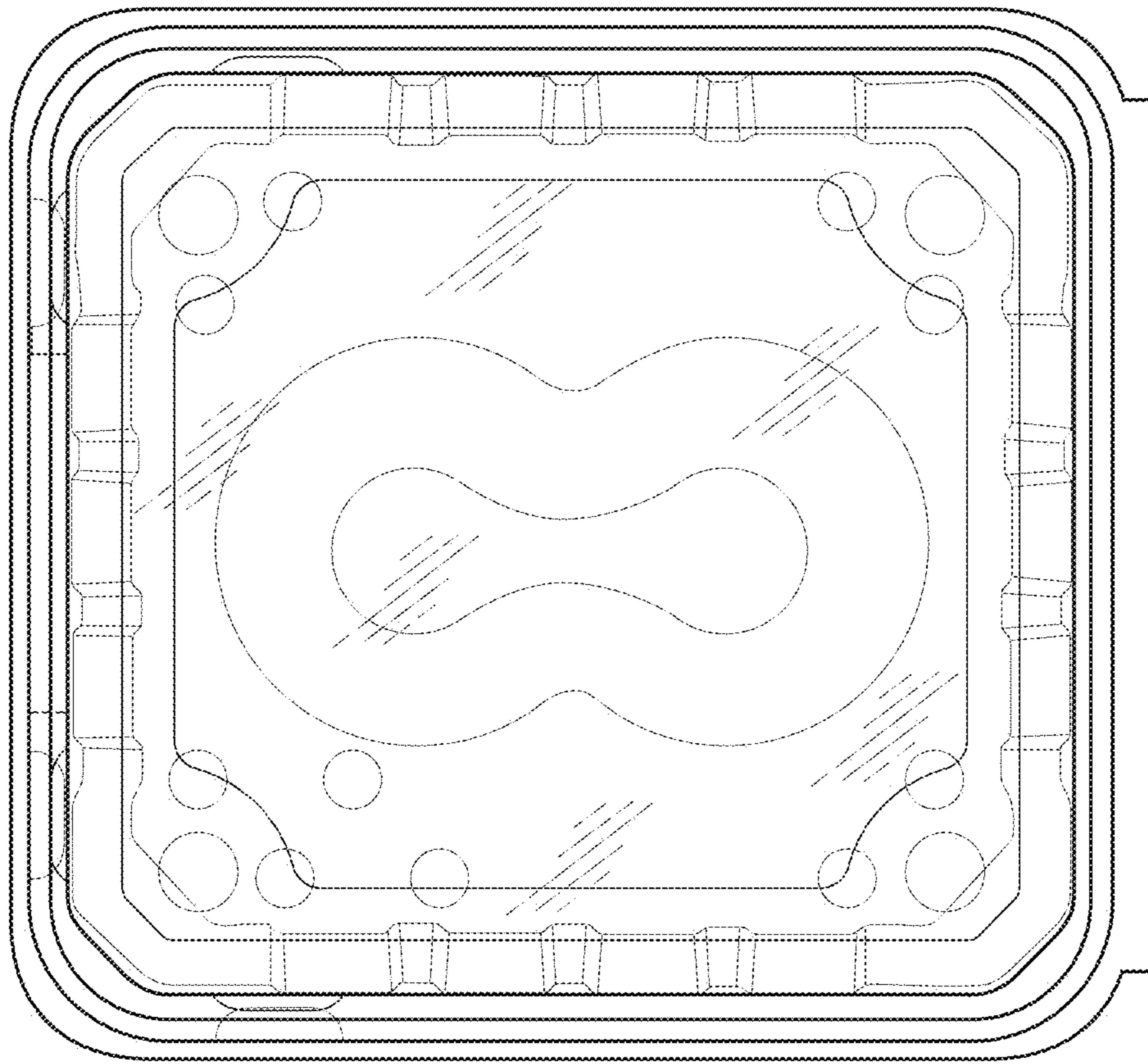


FIG. 3

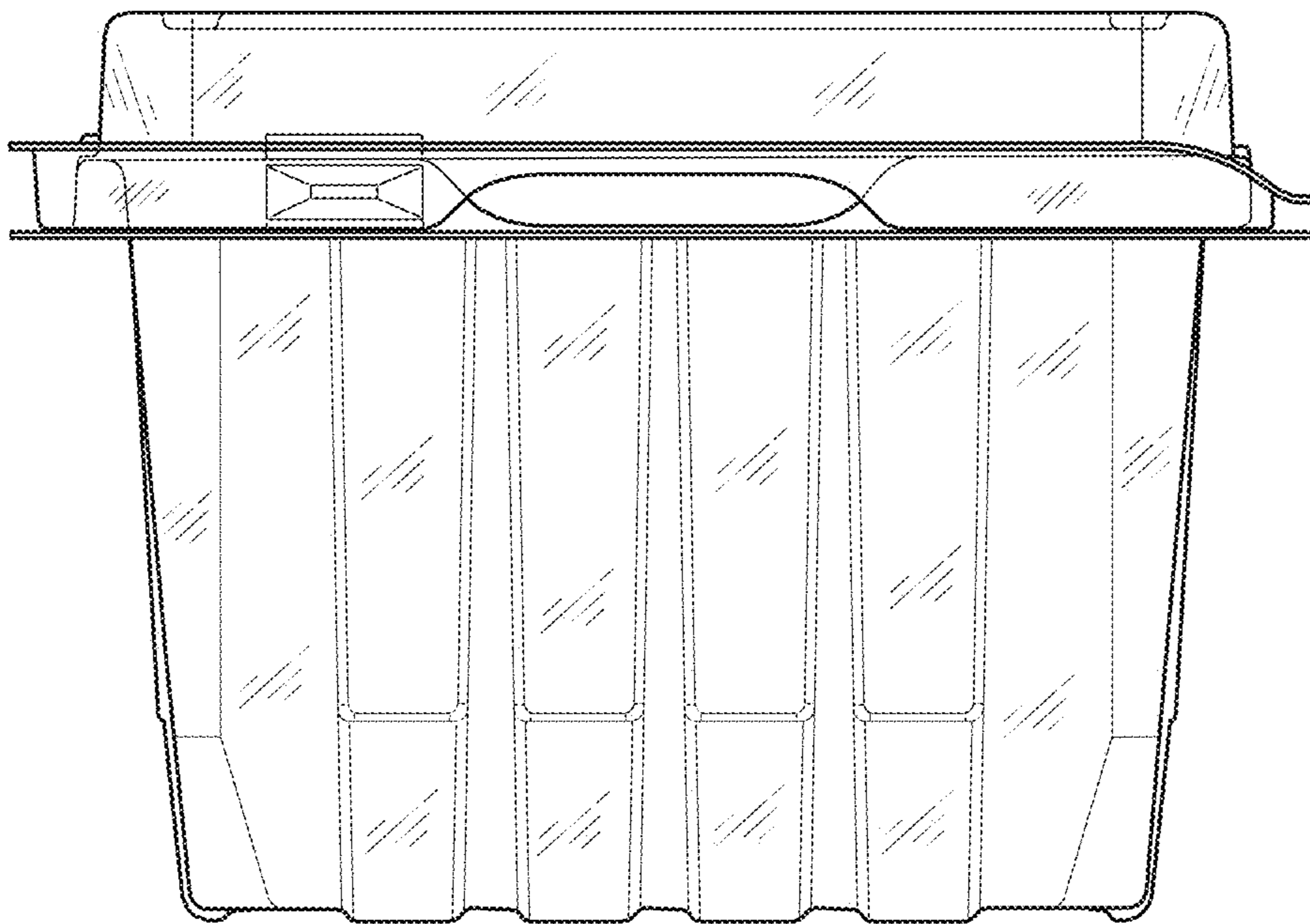


FIG. 4

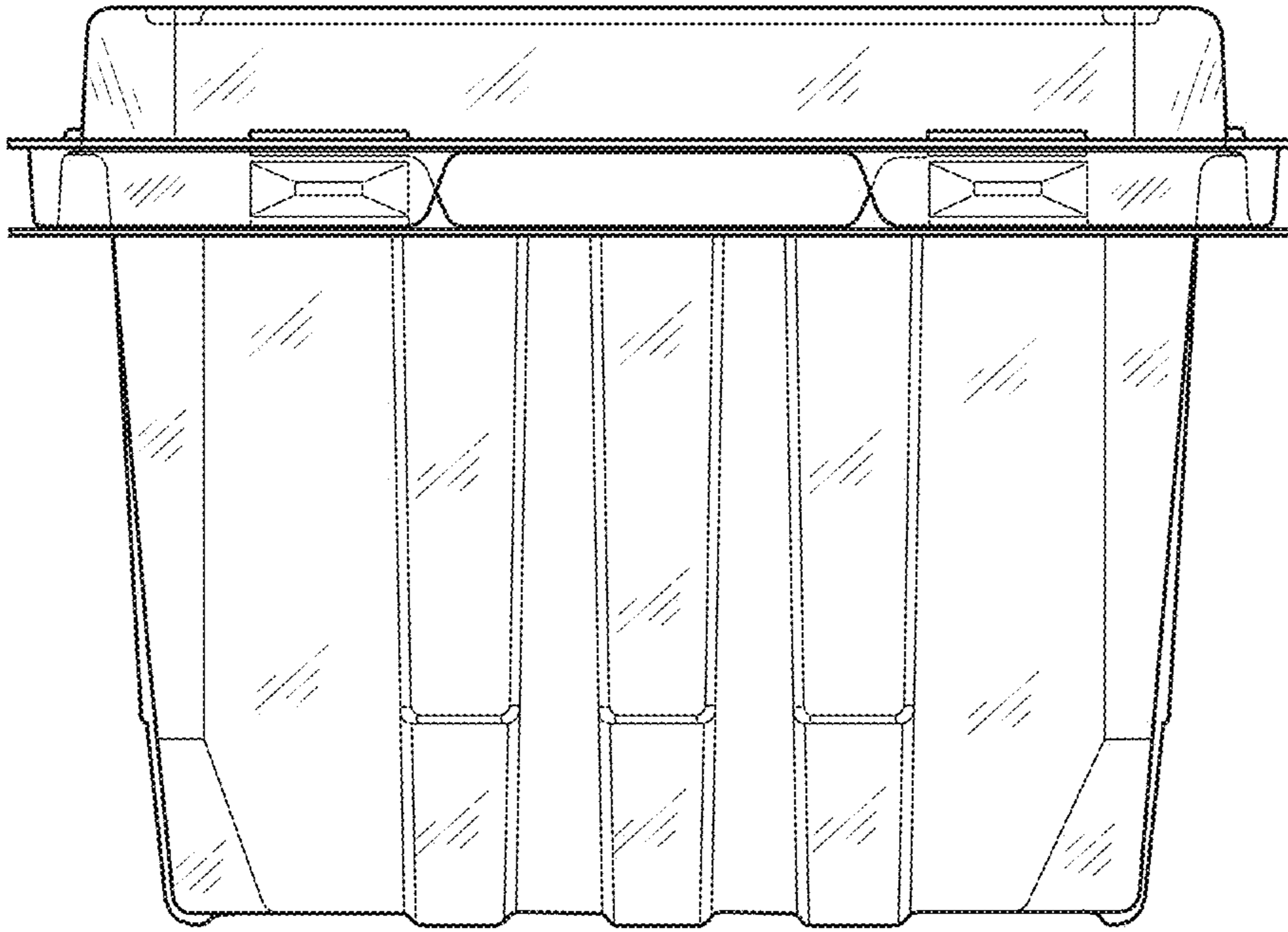


FIG. 5

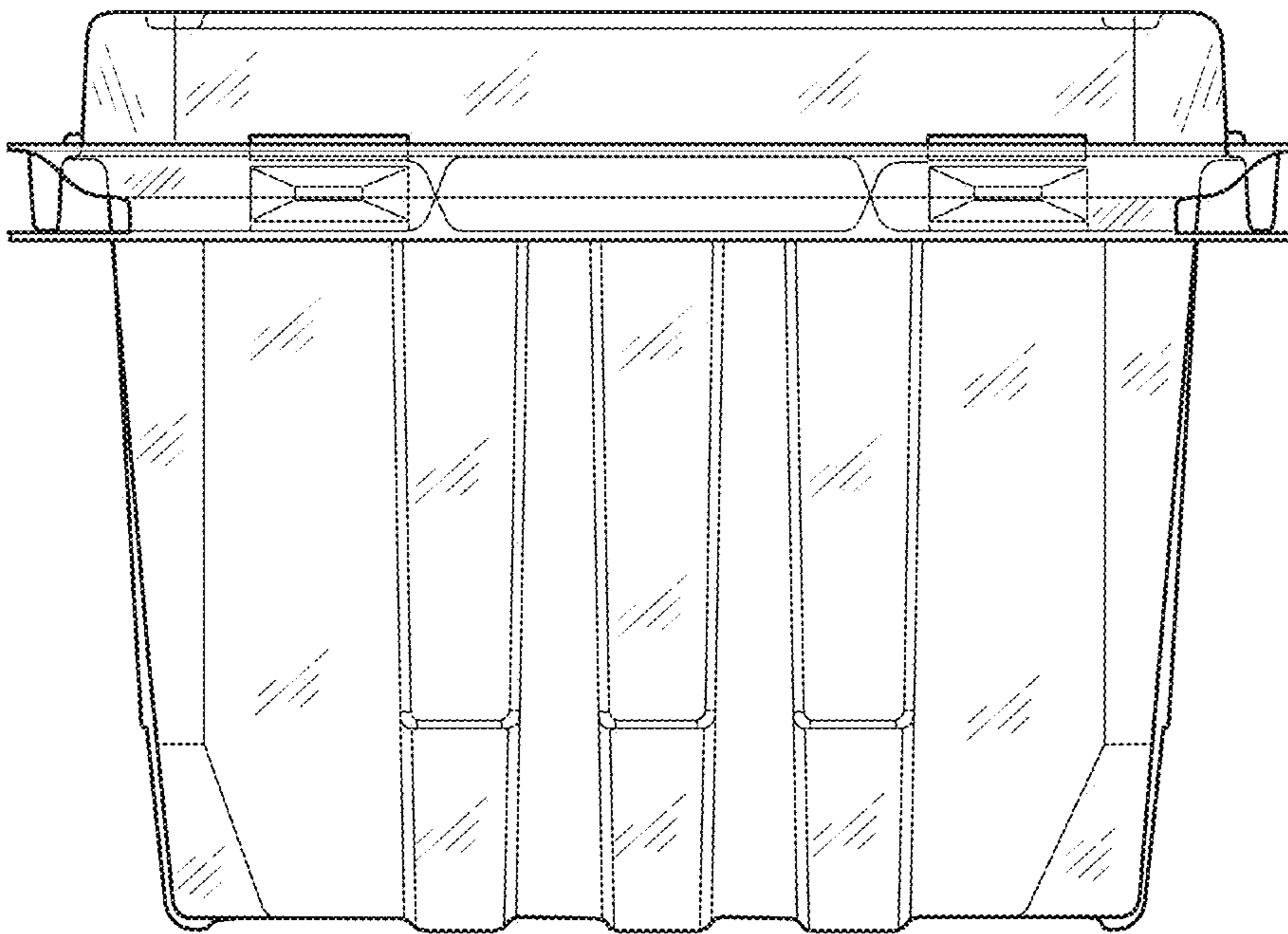


FIG. 6

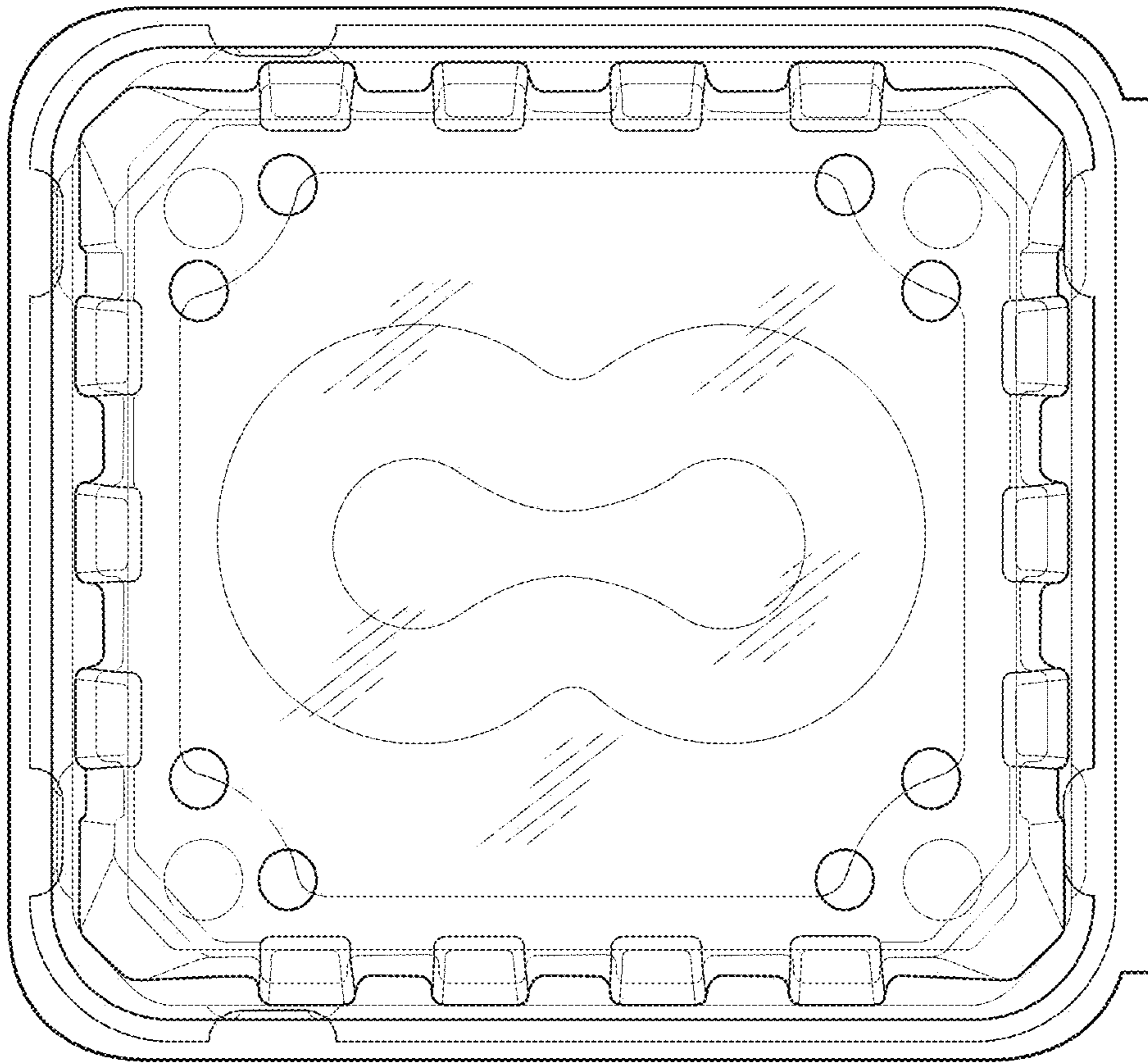
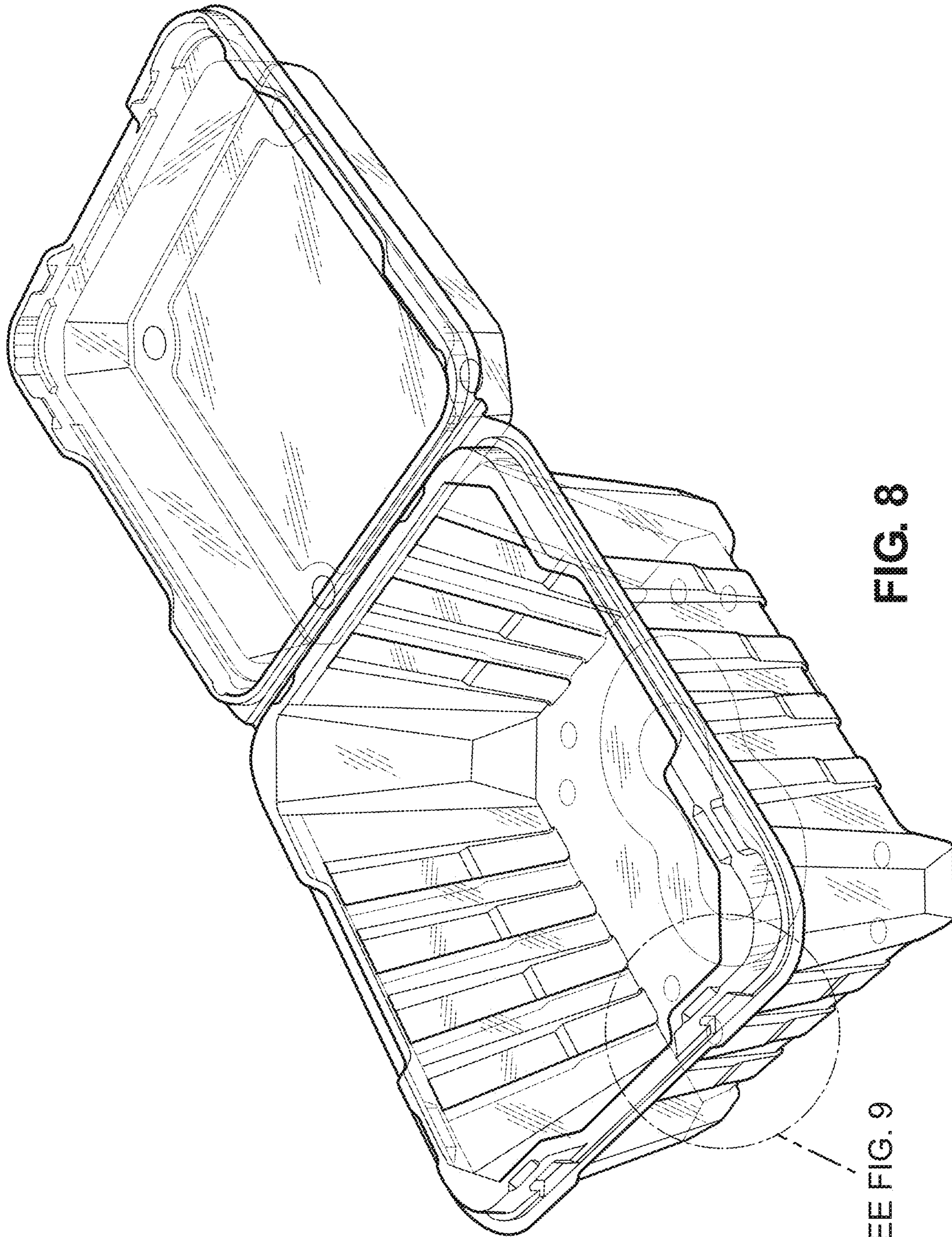


FIG. 7



SEE FIG. 9

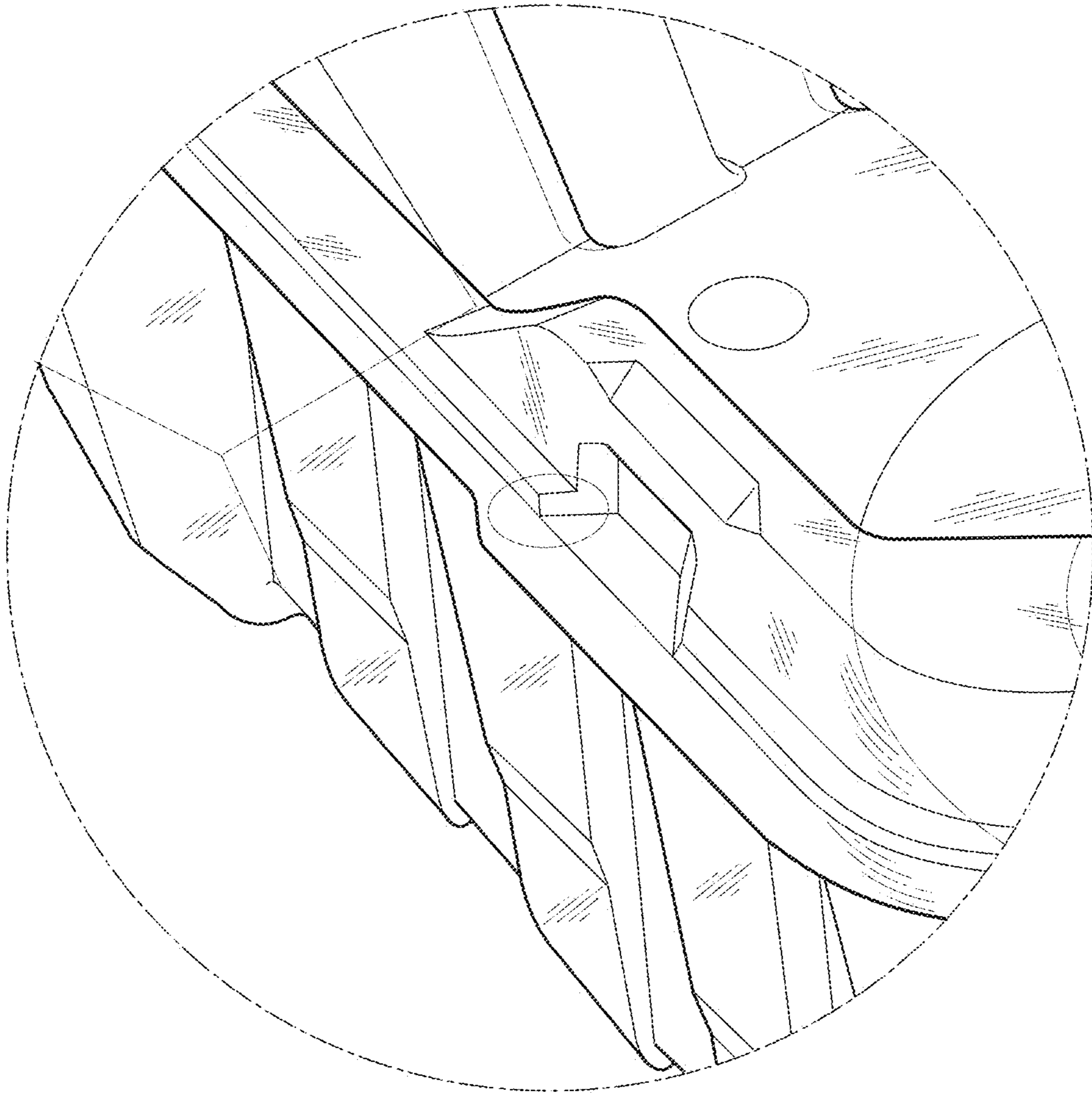


FIG. 9