

US00D893290S

(12) **United States Design Patent**  
**Wojcik et al.**

(10) **Patent No.:** **US D893,290 S**

(45) **Date of Patent:** **\*\* Aug. 18, 2020**

- (54) **CORNER BRACKET FOR A SCREEN**
- (71) Applicants: **Ross Wojcik**, Austin, TX (US); **Dean Revering**, Austin, TX (US)
- (72) Inventors: **Ross Wojcik**, Austin, TX (US); **Dean Revering**, Austin, TX (US)
- (\*\*) Term: **15 Years**
- (21) Appl. No.: **29/691,278**
- (22) Filed: **May 15, 2019**
- (51) **LOC (12) Cl.** ..... **08-08**
- (52) **U.S. Cl.**  
USPC ..... **D8/382**
- (58) **Field of Classification Search**  
USPC ..... D8/349, 354, 382, 400, 403; D6/702, D6/301  
CPC ..... E06B 9/52; E06B 9/58; E06B 2009/527; E06B 2009/528; E06B 2009/587; E06B 3/96; E06B 3/962; E06B 3/9644; E06B 3/9628; E06B 3/9647; E06B 3/9648; E06B 3/968; E06B 3/9681; E06B 3/9682; B65D 81/053; B65D 81/057; A47G 1/17; A47G 1/0638  
See application file for complete search history.

- D307,078 S 4/1990 Guillemet
- D317,400 S 6/1991 Loew
- D342,662 S \* 12/1993 Lavin, Sr. .... D8/354
- D361,846 S \* 8/1995 Te’Kannon ..... D25/102
- 5,447,233 A \* 9/1995 Smith ..... B65D 81/057  
206/453
- D364,331 S \* 11/1995 Leek ..... D8/354
- D369,679 S \* 5/1996 Langford ..... D6/300
- D385,179 S \* 10/1997 Brandes ..... D8/403
- D394,603 S \* 5/1998 Brandes ..... D8/403
- 5,947,437 A \* 9/1999 Tate ..... A47G 1/17  
248/216.1
- D427,894 S \* 7/2000 Benz ..... D8/382
- D445,327 S \* 7/2001 Emms ..... D8/382
- 6,470,637 B2 \* 10/2002 Gratz ..... E06B 7/00  
206/453

(Continued)

*Primary Examiner* — Sandra S Snapp  
*Assistant Examiner* — Ieisha N Price  
 (74) *Attorney, Agent, or Firm* — Kirk A. Buhler; Buhler & Associates Patenting

(57) **CLAIM**

The ornamental design for a corner bracket for a screen, as shown and described.

**DESCRIPTION**

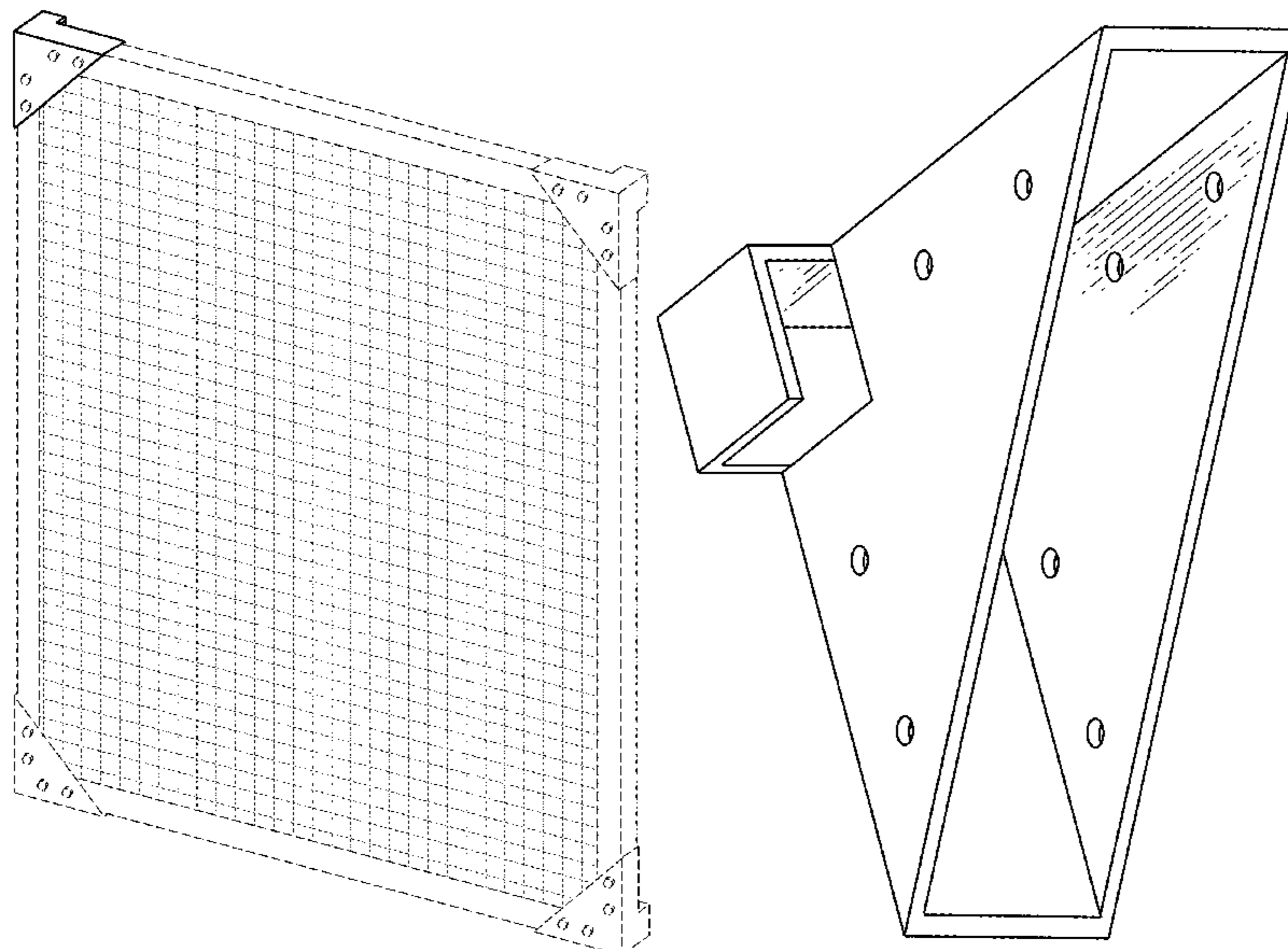
FIG. 1 is a bottom, rear perspective view of a corner bracket for a screen, showing my new design in its environment; FIG. 2 is bottom, rear perspective view thereof; FIG. 3 is a bottom view thereof; FIG. 4 is a top view thereof; FIG. 5 is a front view thereof with the right side view being a mirror image thereof; FIG. 6 is a left side view thereof with the rear view being a mirror image thereof; and, FIG. 7 is a top, front, right side perspective view. The broken lines in FIG. 1 depict environmental subject matter and form no part of the claimed design.

**1 Claim, 6 Drawing Sheets**

(56) **References Cited**

U.S. PATENT DOCUMENTS

- 1,830,945 A \* 11/1931 Inglis ..... E06B 9/52  
160/381
- 2,885,139 A \* 5/1959 Werner ..... B65D 81/057  
206/586
- 3,446,345 A \* 5/1969 Frosoy ..... B65D 59/00  
206/453
- 4,134,496 A \* 1/1979 Smith ..... B65D 81/057  
206/453
- 4,194,630 A \* 3/1980 Kaiser ..... B65D 81/057  
206/586
- D264,047 S \* 4/1982 Magner ..... D8/382



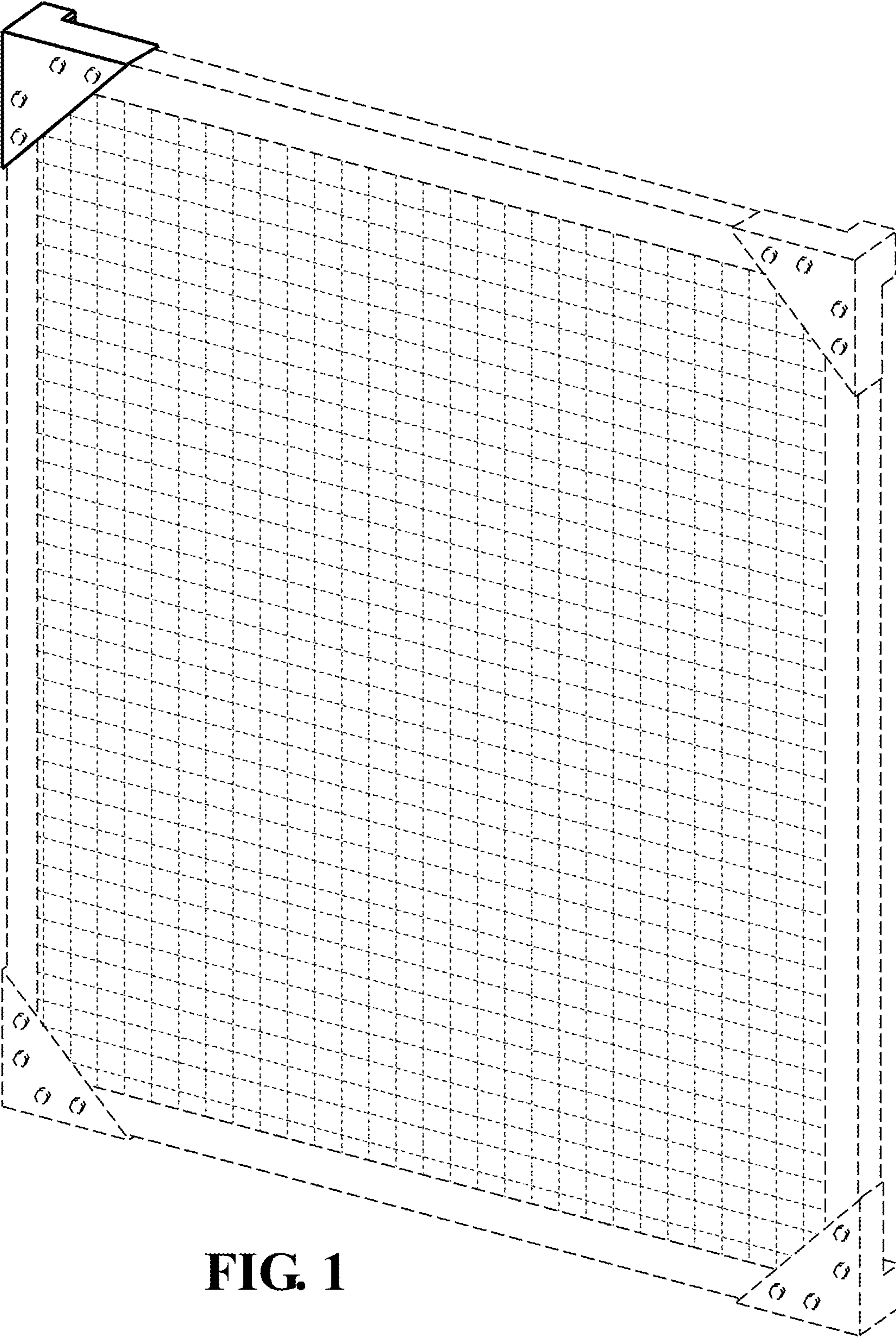
(56)

**References Cited**

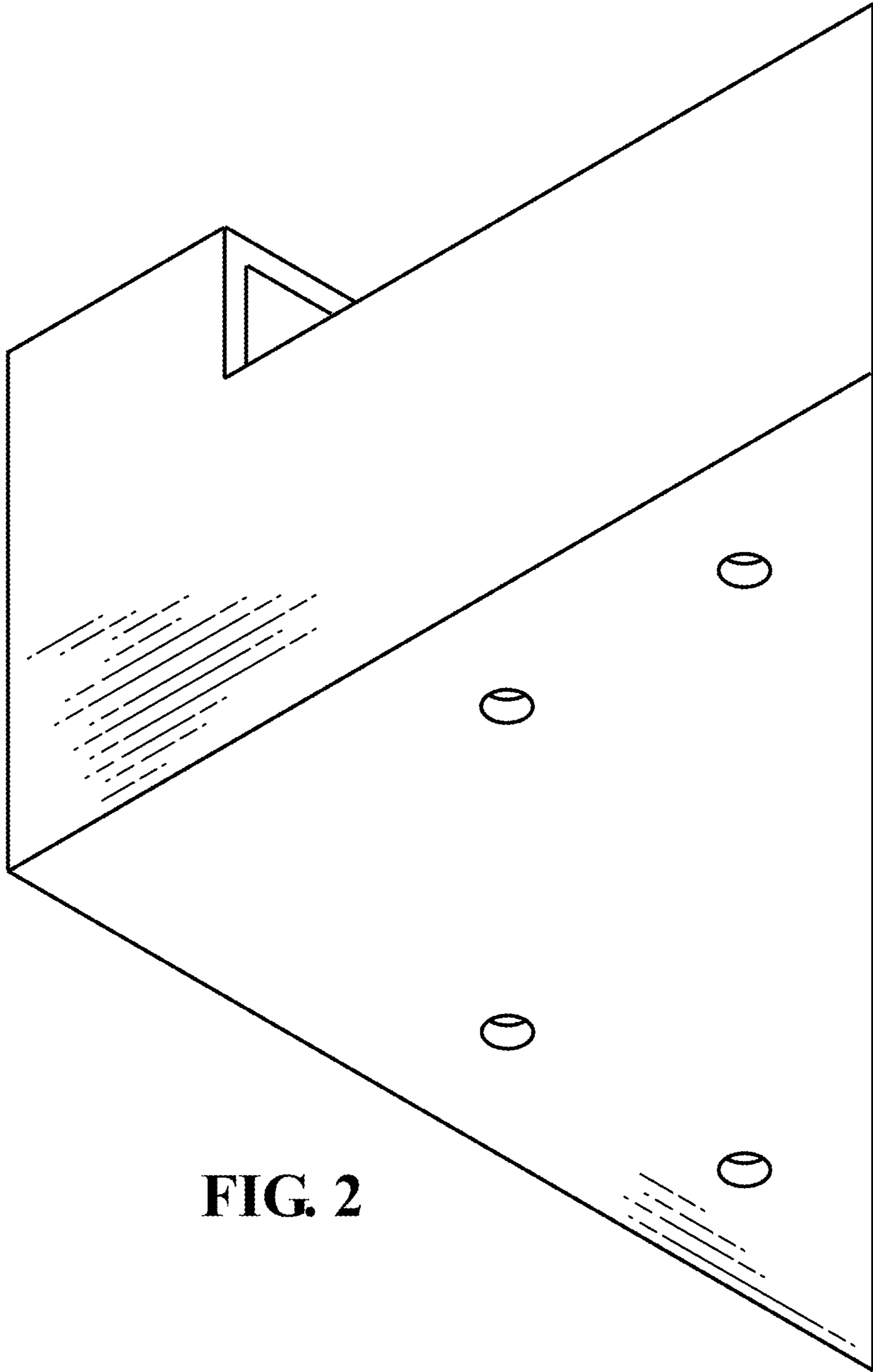
U.S. PATENT DOCUMENTS

D499,674 S \* 12/2004 Breckner ..... D12/167  
D530,193 S 10/2006 Goldenberg et al.  
D587,991 S \* 3/2009 Walker ..... D8/381  
D763,670 S \* 8/2016 Monsees ..... D8/382  
9,869,122 B2 \* 1/2018 Isaacs ..... F24B 1/192  
2002/0056656 A1 \* 5/2002 Beliveau ..... B65D 81/054  
206/453  
2005/0144860 A1 \* 7/2005 Halstead ..... A47G 1/06  
52/204.1  
2005/0150810 A1 \* 7/2005 Durrant ..... B65D 81/057  
206/586  
2008/0179216 A1 \* 7/2008 Kari ..... B65D 81/057  
206/586  
2009/0230009 A1 \* 9/2009 Ogburn ..... B65D 81/057  
206/453  
2009/0250367 A1 \* 10/2009 Murdoch ..... B65D 81/053  
206/453  
2011/0303813 A1 \* 12/2011 Lijesnic ..... F16B 12/50  
248/309.1  
2014/0014549 A1 \* 1/2014 Zhao ..... B65D 81/057  
206/453  
2018/0208388 A1 \* 7/2018 Austerberry ..... B65D 81/3816

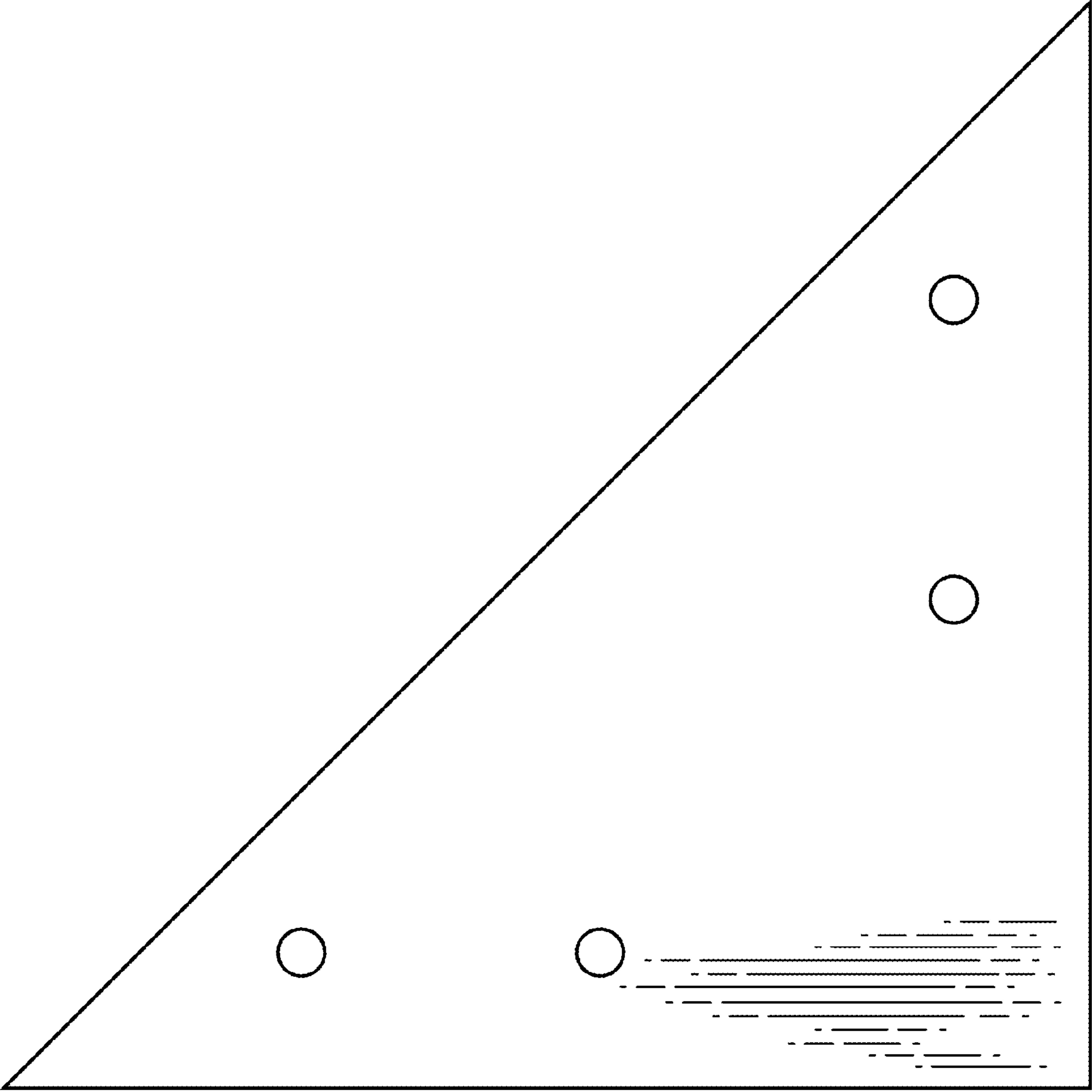
\* cited by examiner



**FIG. 1**



**FIG. 2**



**FIG. 3**

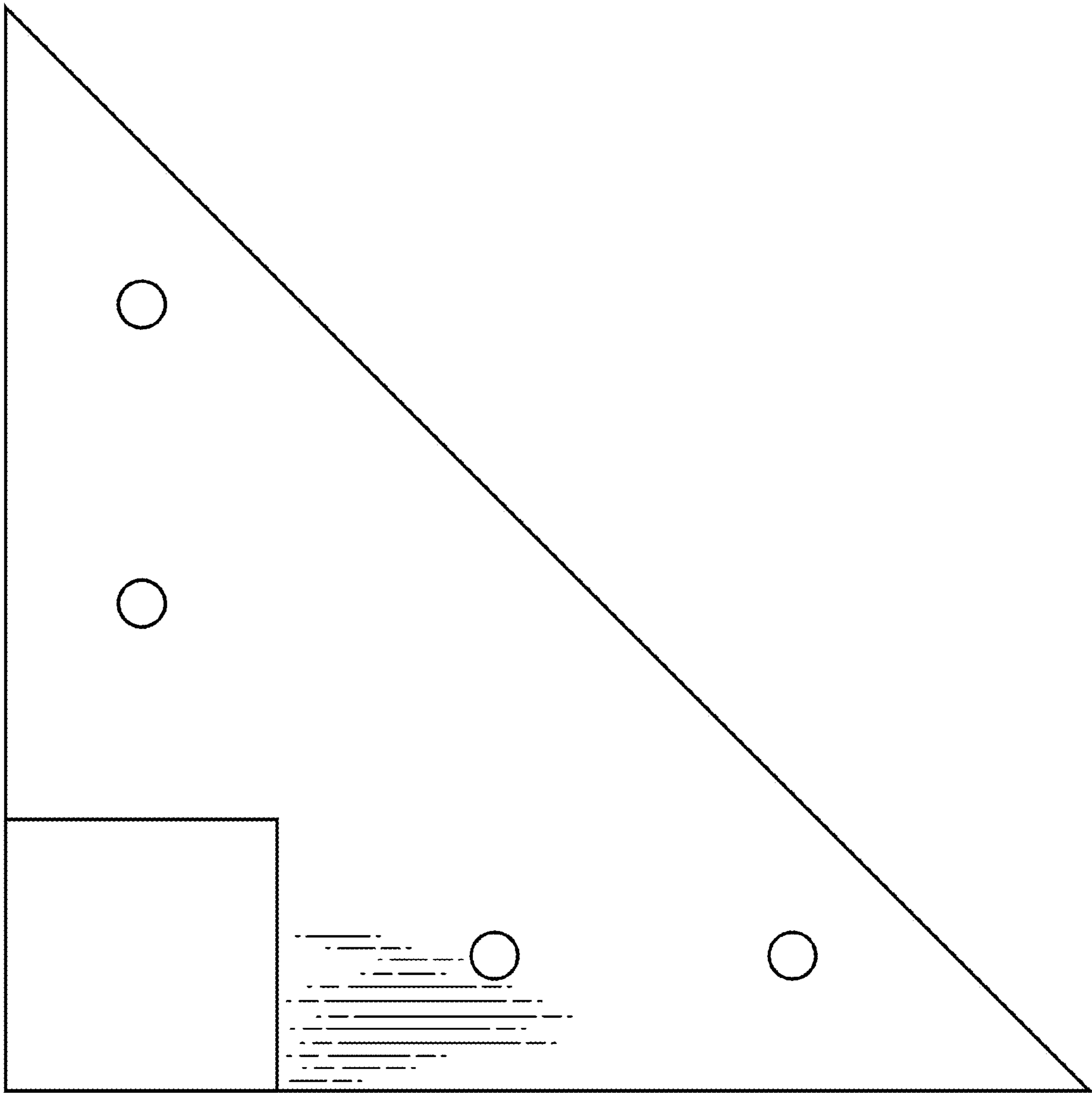
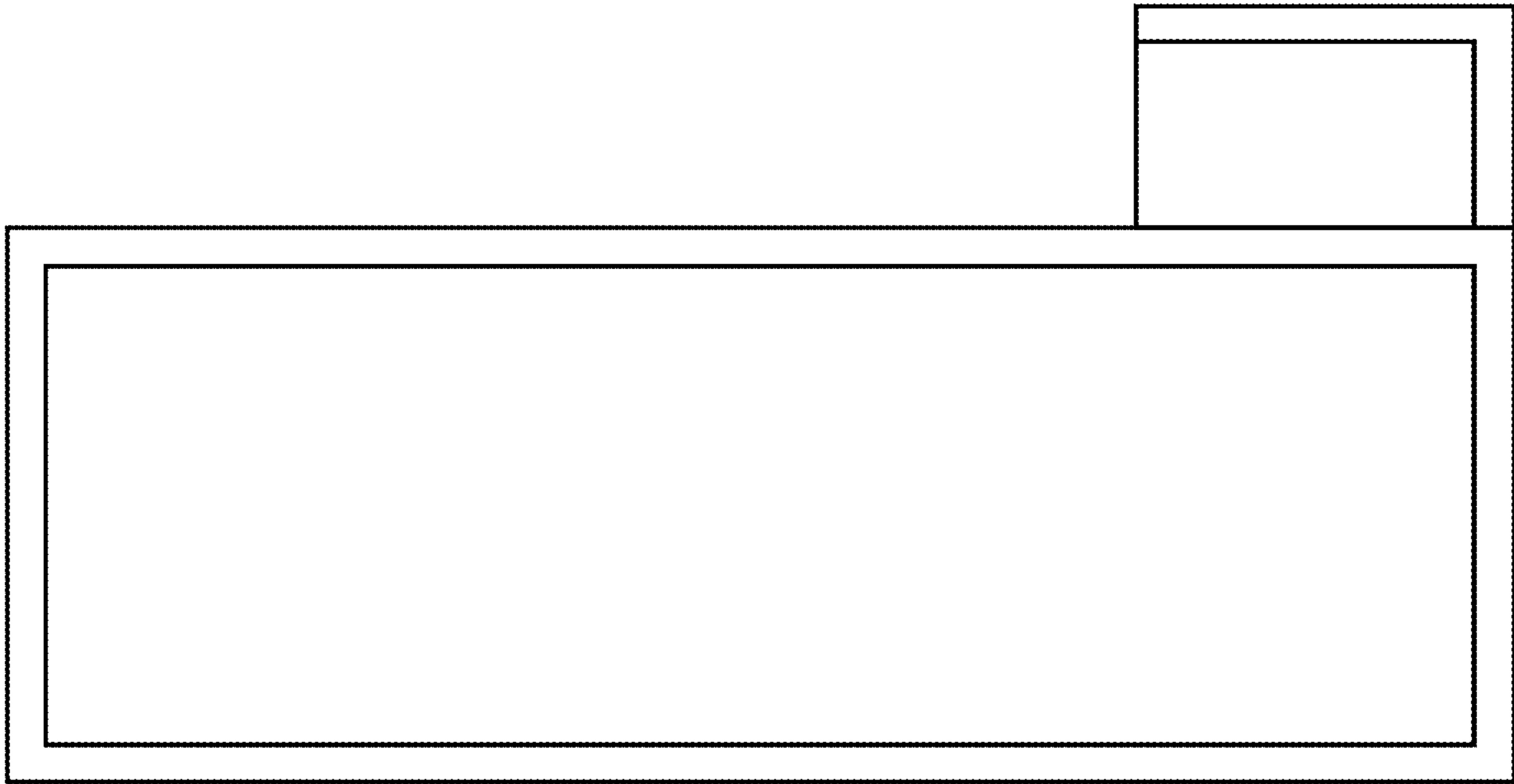
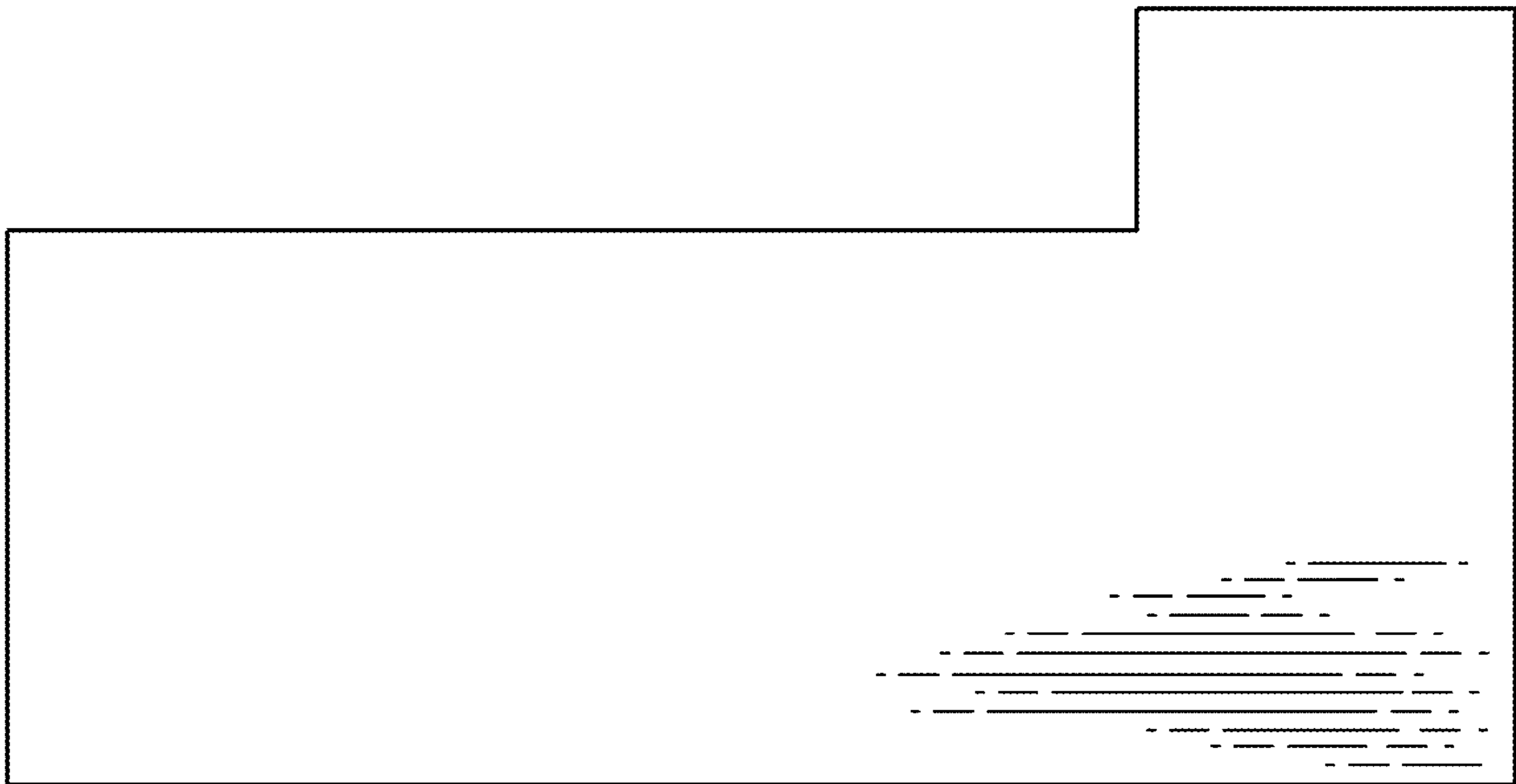


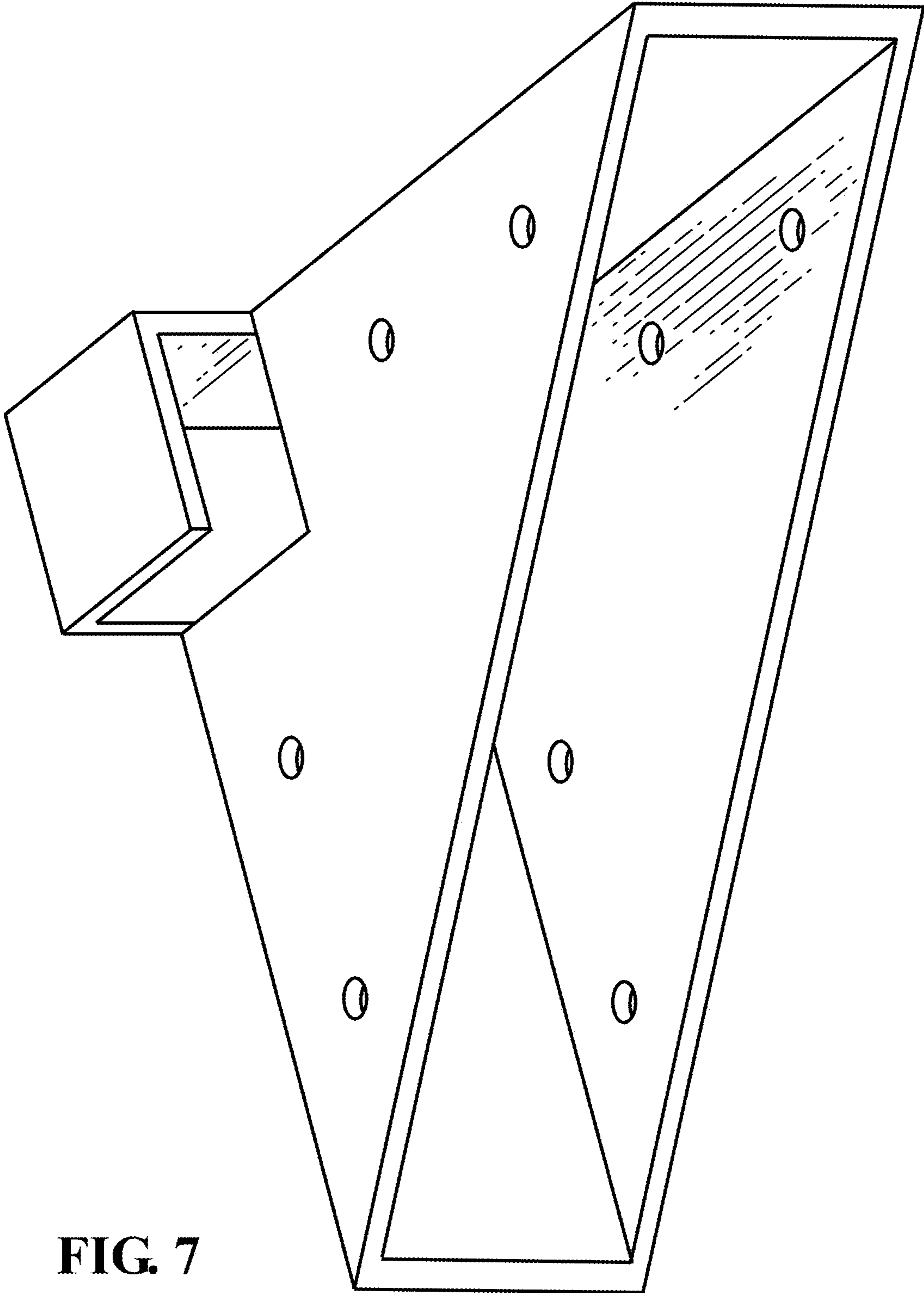
FIG. 4



**FIG. 5**



**FIG. 6**



**FIG. 7**