



US00D893289S

(12) **United States Design Patent**
Oetlinger et al.

(10) **Patent No.:** **US D893,289 S**

(45) **Date of Patent:** **** Aug. 18, 2020**

(54) **SUPPORT FOR FRAMED STRUCTURE**

(71) Applicant: **Blanking Systems, Inc.**, Grafton, WI (US)

(72) Inventors: **Frank E. Oetlinger**, Grafton, WI (US);
Michael P. Pritchett, Fredonia, WI (US); **Daniel E. Fatke**, West Bend, WI (US)

(73) Assignee: **Blanking Systems, Inc.**, Grafton, WI (US)

(**) Term: **15 Years**

(21) Appl. No.: **29/713,020**

(22) Filed: **Nov. 13, 2019**

Related U.S. Application Data

(62) Division of application No. 29/609,058, filed on Jun. 28, 2017, now Pat. No. Des. 872,906.

(51) **LOC (12) Cl.** **08-05**

(52) **U.S. Cl.**
USPC **D8/376**; D25/199

(58) **Field of Classification Search**
USPC D25/164, 199, 119; D8/354, 355, 382,
D8/400, 403, 376; D6/580
CPC F16J 15/00; F16J 15/02; E05Y 2800/26;
E05Y 2800/27; E05Y 2800/455; E05Y
2800/46; E05Y 2800/465; F16B 5/12;
F16B 5/121; F16B 5/126; F16B 5/128;
F16S 3/00

See application file for complete search history.

(56) **References Cited**

U.S. PATENT DOCUMENTS

2,638,162 A 5/1953 Heitlinger
2,705,820 A 4/1955 Torrence
3,074,134 A * 1/1963 Buechler F16B 5/128
24/289

3,525,560 A 8/1970 Gasner et al.
D309,343 S 7/1990 Koza et al.
D363,697 S 10/1995 Shibao et al.
D387,441 S * 12/1997 Rasmussen D25/164
D411,067 S 6/1999 Cardorette
D418,352 S 1/2000 Cardorette
D418,353 S 1/2000 Cardorette
D419,022 S 1/2000 Cardorette
D427,050 S * 6/2000 Bryan D8/382
D486,248 S 2/2004 Sudano
D504,589 S 5/2005 Sudano
D529,201 S * 9/2006 Mann D25/164

(Continued)

Primary Examiner — Llorelys Martinez

(74) *Attorney, Agent, or Firm* — Boyle Fredrickson, S.C.

(57) **CLAIM**

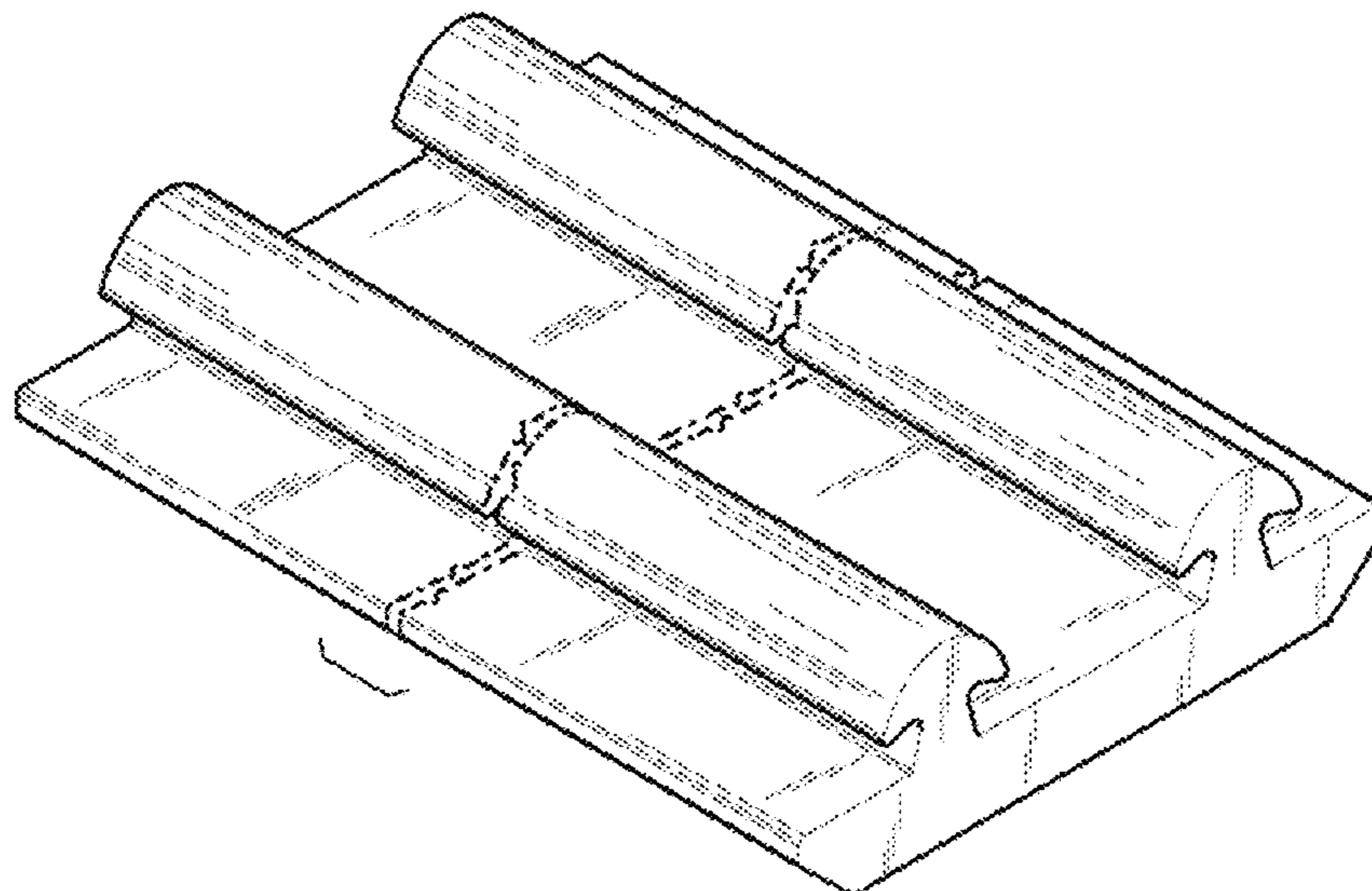
The ornamental design for a support for framed structure, as shown and described.

DESCRIPTION

FIG. 1 is an isometric view of a support for framed structure showing our new design;
FIG. 2 is a side elevation view of the support for framed structure of FIG. 1;
FIG. 3 is an opposite side elevation view of the support for framed structure of FIG. 1;
FIG. 4 is a top plan view of the support for framed structure of FIG. 1;
FIG. 5 is a bottom plan view of the support for framed structure of FIG. 1;
FIG. 6 is an end elevation view of a first end of the support for framed structure of FIG. 1; and,
FIG. 7 is an opposite end elevation view of the support for framed structure of FIG. 1.

The support for framed structure is shown with symbolic break lines along its length. The appearance of any portion of the support for framed structure between the break lines forms no part of the claimed design.

1 Claim, 5 Drawing Sheets



(56)

References Cited

U.S. PATENT DOCUMENTS

D621,076	S *	8/2010	Vibiano	D25/164
D621,245	S *	8/2010	Heindl	D8/382
D644,757	S *	9/2011	Vappula	D25/199
D704,544	S *	5/2014	Oetlinger	D8/397
D705,648	S *	5/2014	Oetlinger	D8/397
D731,874	S	6/2015	Lin		
D755,994	S *	5/2016	Oetlinger	D25/121
D807,531	S *	1/2018	Manning	D25/119
D872,906	S *	1/2020	Oetlinger	D8/376
2002/0112580	A1 *	8/2002	McArdle	B26D 7/1818 83/86
2003/0154838	A1 *	8/2003	Oetlinger	F16B 7/187 83/698.71
2007/0170221	A1 *	7/2007	Oetlinger	B26D 7/1818 225/104
2019/0309850	A1 *	10/2019	Yoshida	F16J 15/00

* cited by examiner

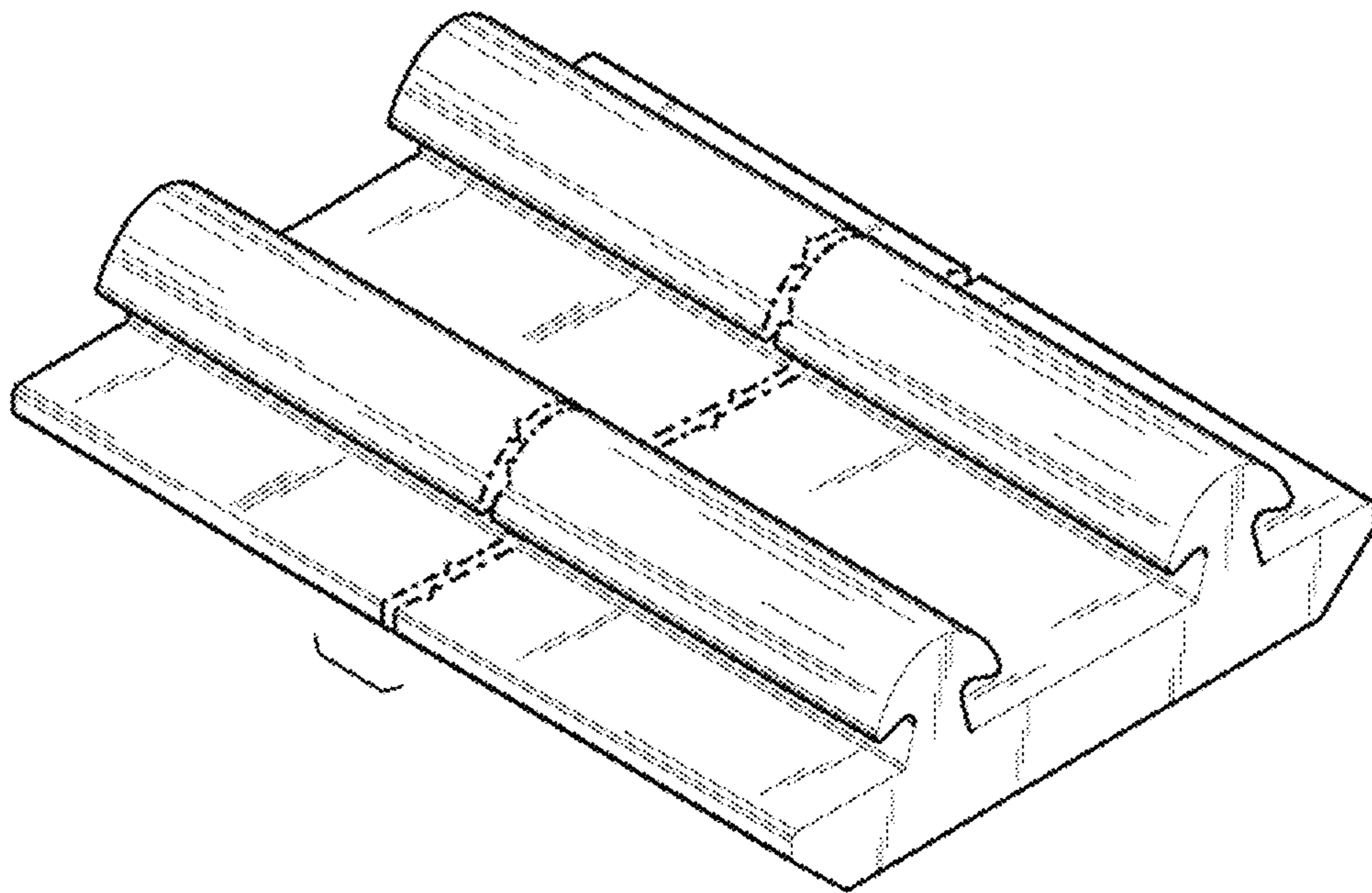


FIG. 1

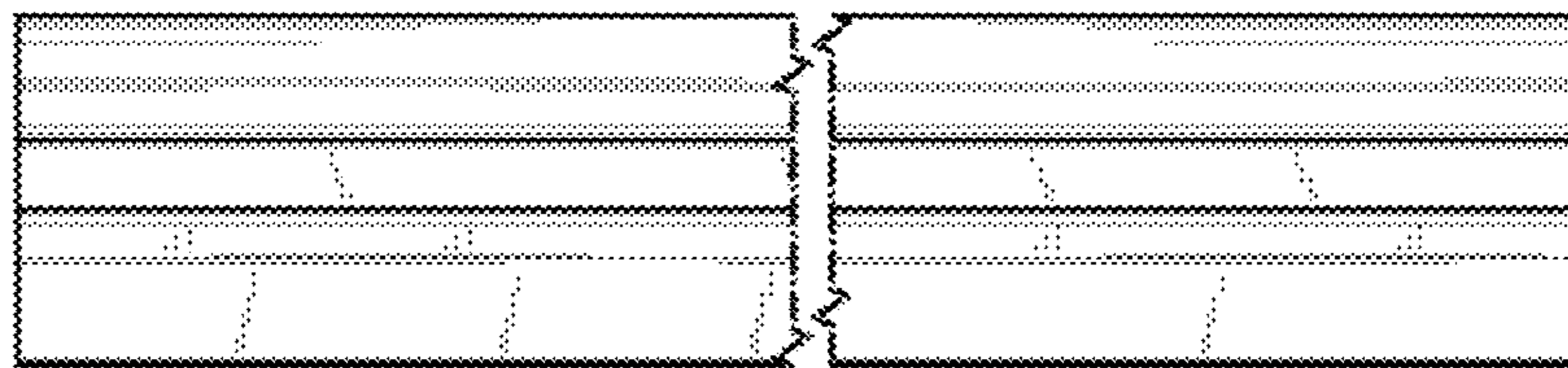


FIG. 2

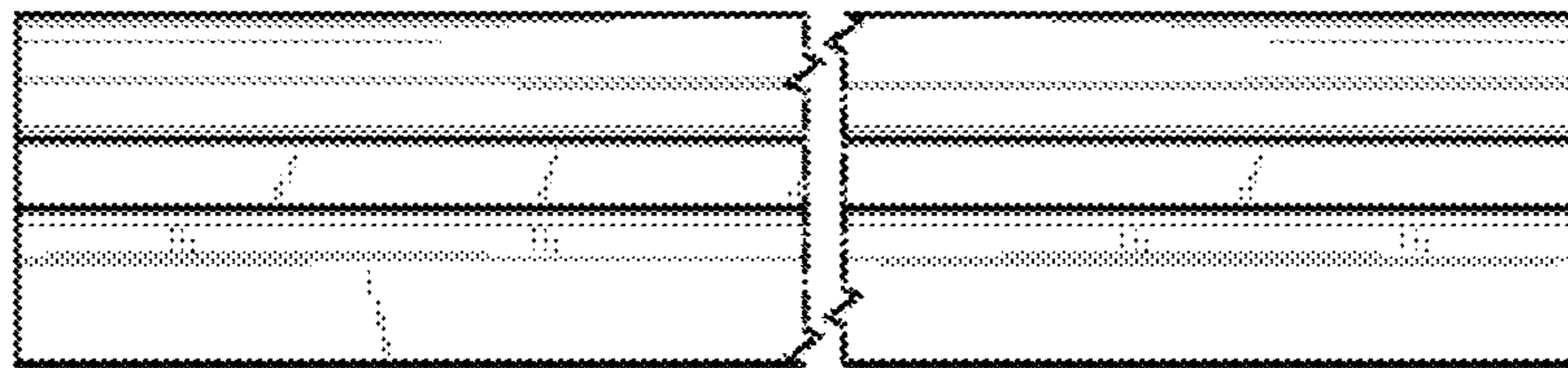


FIG. 3

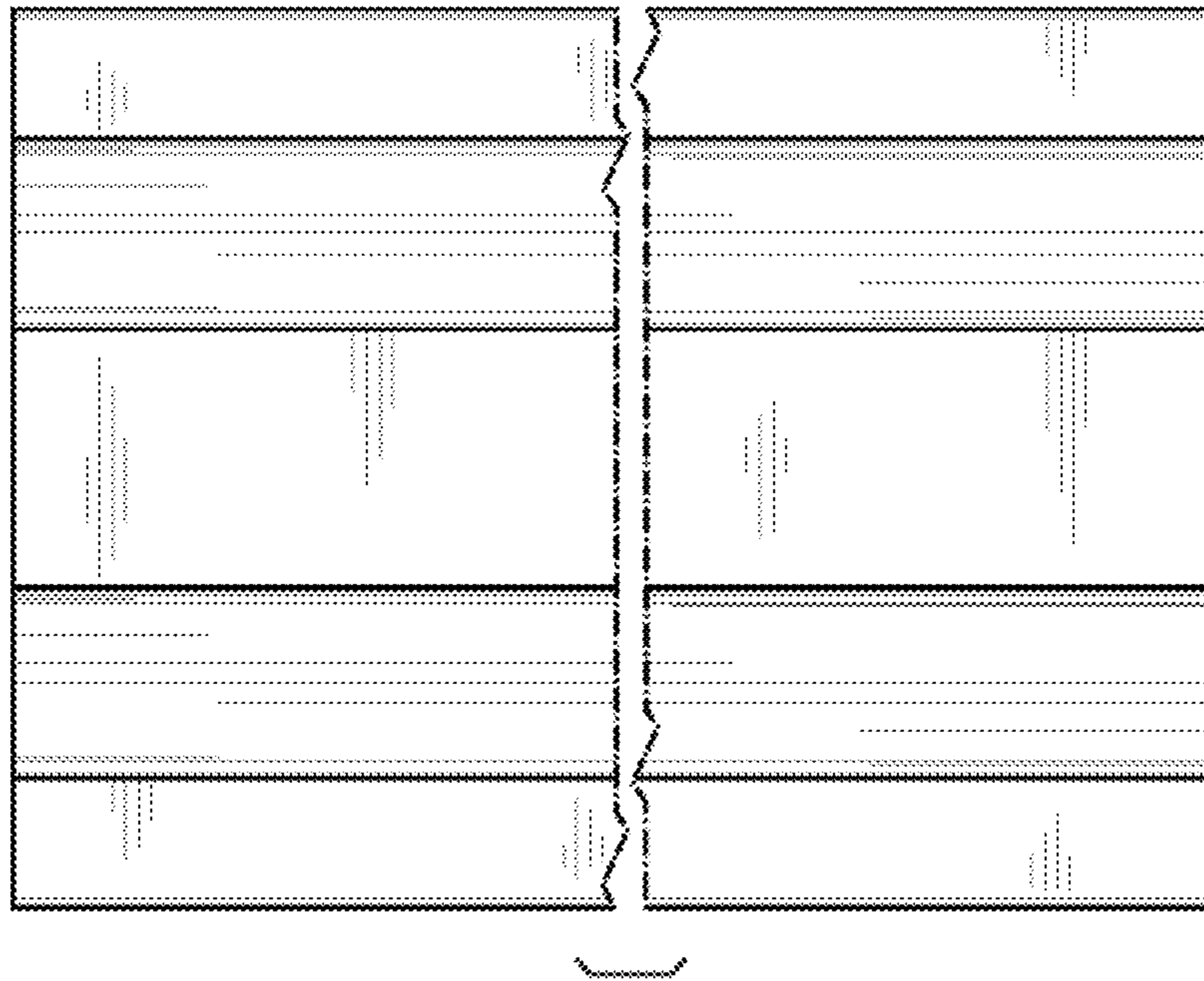


FIG. 4

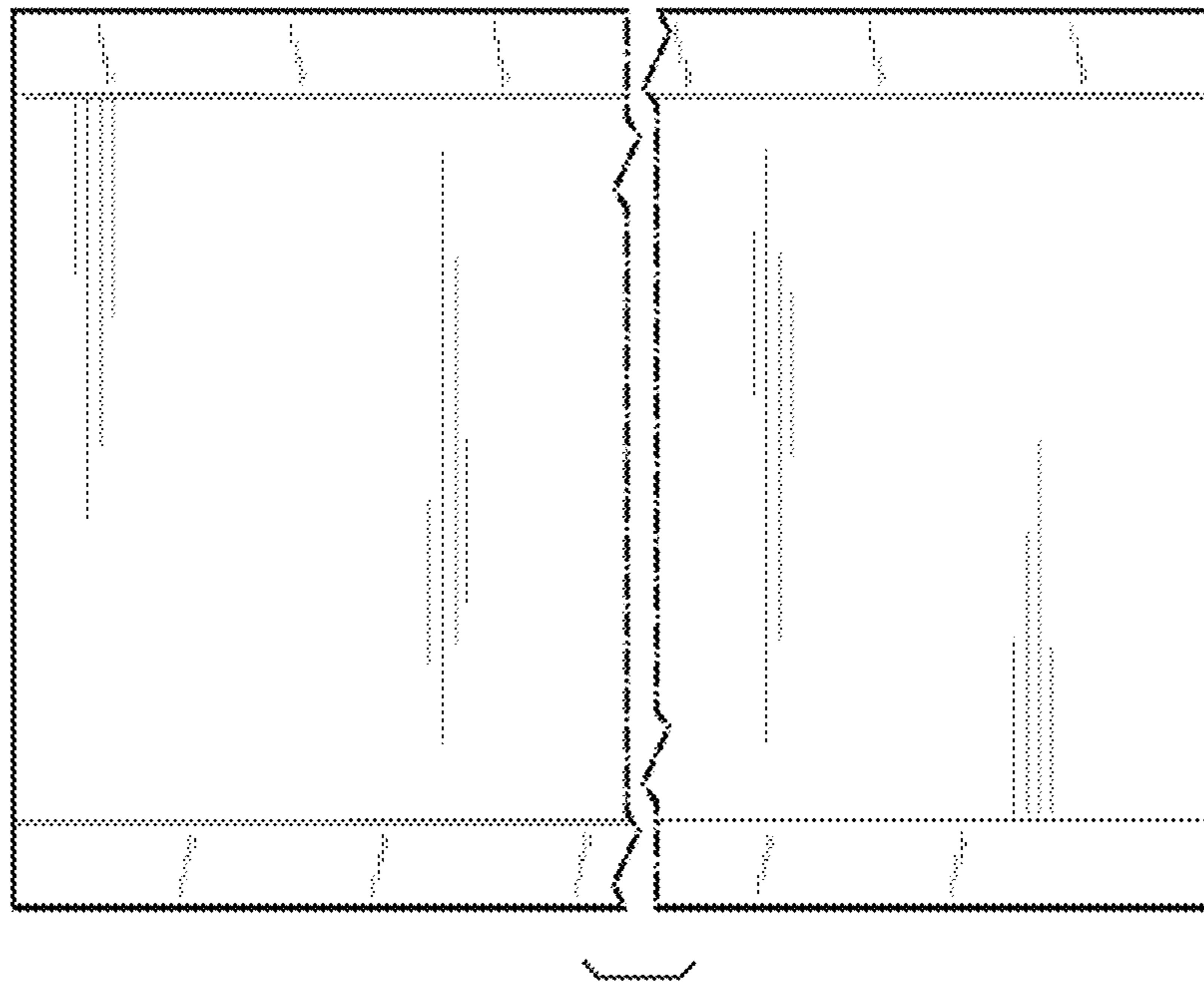


FIG. 5

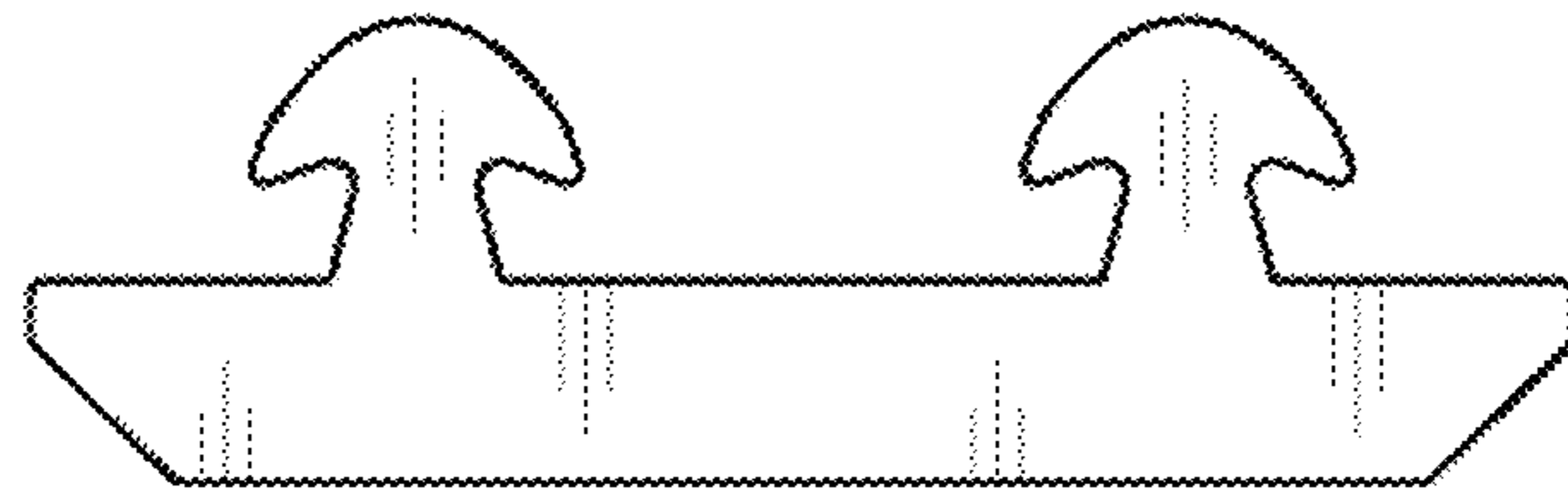


FIG. 6

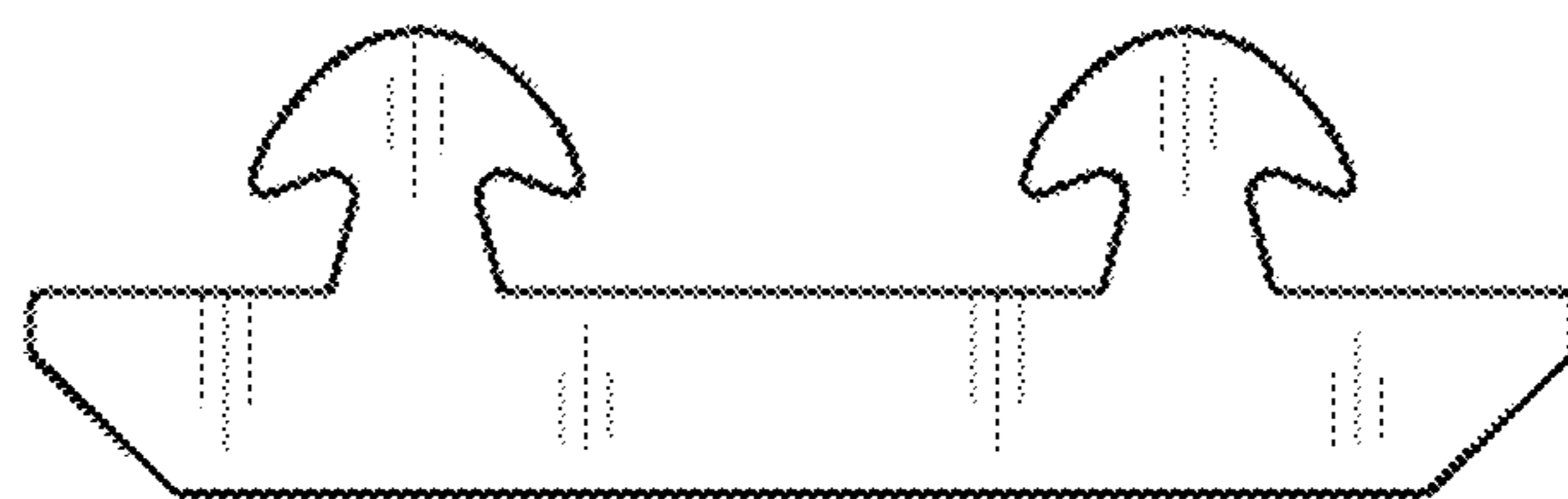


FIG. 7