

US00D893288S

(12) **United States Design Patent** (10) **Patent No.:** **US D893,288 S**
Wendling (45) **Date of Patent:** **** Aug. 18, 2020**

(54) **LEG SUPPORT**

D808,781 S * 1/2018 Dombkova D8/374
D813,019 S * 3/2018 Wendling D8/374
D828,144 S 9/2018 Rodack

(71) Applicant: **Allan Wendling**, New Lothrop, MI (US)

(72) Inventor: **Allan Wendling**, New Lothrop, MI (US)

(**) Term: **15 Years**

(21) Appl. No.: **29/723,509**

(22) Filed: **Feb. 7, 2020**

(51) **LOC (12) Cl.** **08-05**

(52) **U.S. Cl.**
USPC **D8/374**

(58) **Field of Classification Search**
USPC D8/374, 373, 376
CPC A47C 7/006; A47C 7/62; A47B 91/12;
B60T 3/00; A47F 1/065; G10C 3/16
See application file for complete search history.

(56) **References Cited**

U.S. PATENT DOCUMENTS

D44,952 S * 12/1913 Buser D8/374
1,912,728 A 6/1933 Roe
3,126,666 A 3/1964 Peterson
3,138,893 A 6/1964 Rugar
5,210,903 A * 5/1993 Horning B60B 33/00
16/18 R
D336,843 S 6/1993 Hurst
5,345,631 A 9/1994 Saperstein et al.
D423,340 S 4/2000 Sittig
D440,483 S * 4/2001 Bushey D8/374
6,345,474 B1 2/2002 Triplett
D493,095 S 7/2004 Sittig
D493,096 S 7/2004 Sittig
9,033,293 B1 5/2015 Glenn et al.
D734,135 S 7/2015 Meroy
D736,607 S 8/2015 Sheldon
D784,120 S 4/2017 Abdi et al.

OTHER PUBLICATIONS

Dapre Furniture Riser Bed Riser Heavy Duty Furniture Riser for Bed Chair Sofa Table 4 PCS 3-inch; https://www.amazon.com/Dapre-Furniture-Riser_Heavy-3-inch/dp/B07Y9XKWCR/ref=sr_1_231?keywords=furniture+riser&qid=1575239703&sr=8-231, Dec. 1, 2019, 1 page.

Acidibca Bed Riser Furniture Lift ed Frame Risers Create Under Bed Storage Heavy Duty Set of 4 (white); https://www.amazon.com/Acidibca-Furniture-Risers-Create-Storage/dp/B0783B8XBV/ref=sr_1_15?keywords=furniture+riser&qid=1575239070&sr=8-15; Dec. 1, 2019, 1 page.

MEETWARM 3 Inch Bed Risers Heavy Duty Furniture Risers Stackable Platform Blocks for Dorm Couch Bed Sofa Chair Table (Black), Set of 4; https://www.amazon.com/MEETWARM-Risers-Furniture-Stackable-Platform/dp/B07SDCYRM/ref=sr_1_30?keywords=furniture+riser&qid=1575239070&sr=8-30; Dec. 1, 2019, 1 page.

* cited by examiner

Primary Examiner — Eliza Z Bennett-Hattan

(74) *Attorney, Agent, or Firm* — Dinsmore & Shohl LLP

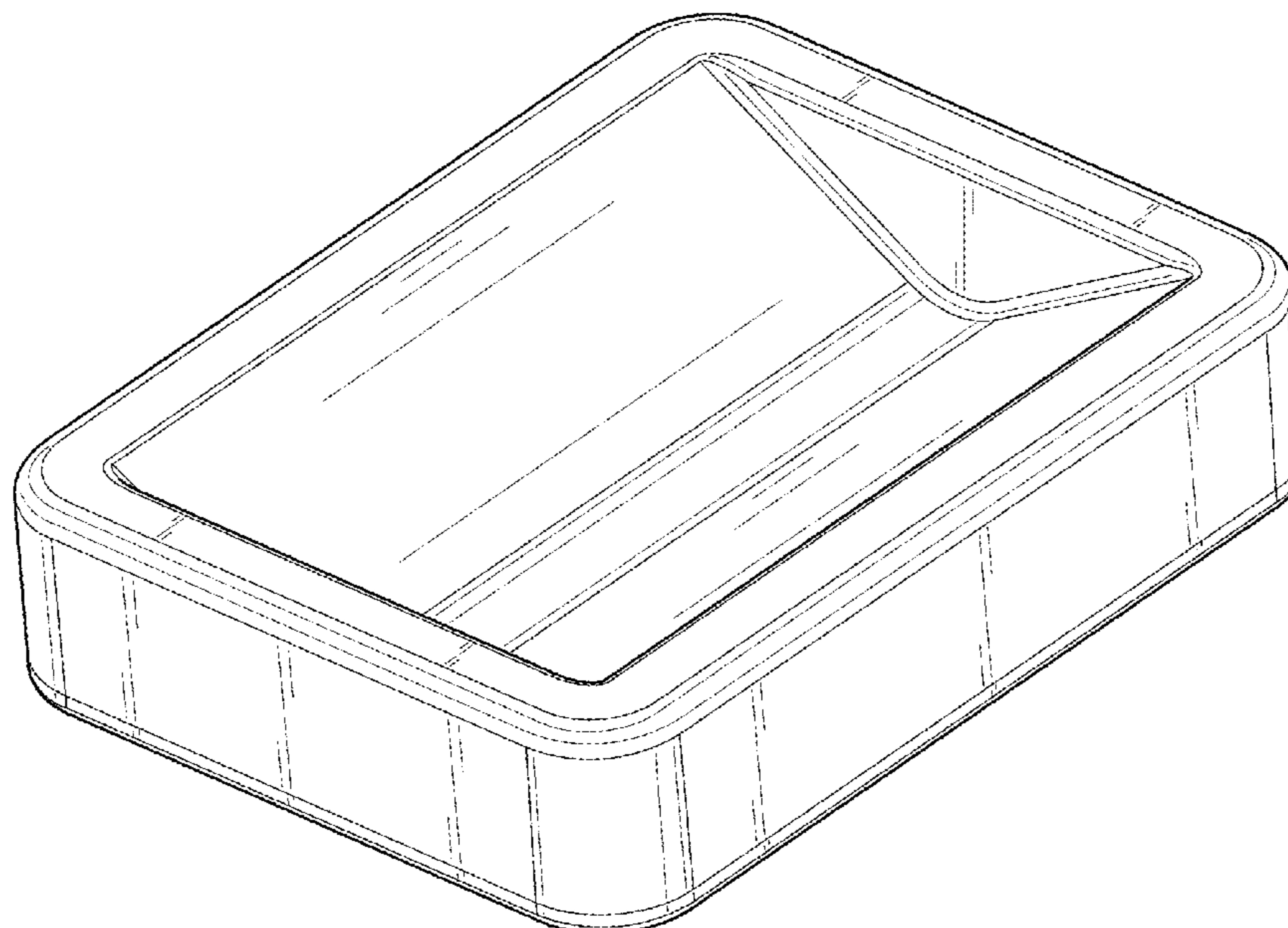
(57) **CLAIM**

The ornamental design for a leg support, as shown and described.

DESCRIPTION

FIG. 1 is a top perspective view of the leg support;
FIG. 2 is a top view thereof;
FIG. 3 is a bottom view thereof;
FIG. 4 is a front planar view thereof;
FIG. 5 is a rear planar view thereof;
FIG. 6 is a right side view thereof; and,
FIG. 7 is a left side view thereof.

1 Claim, 7 Drawing Sheets



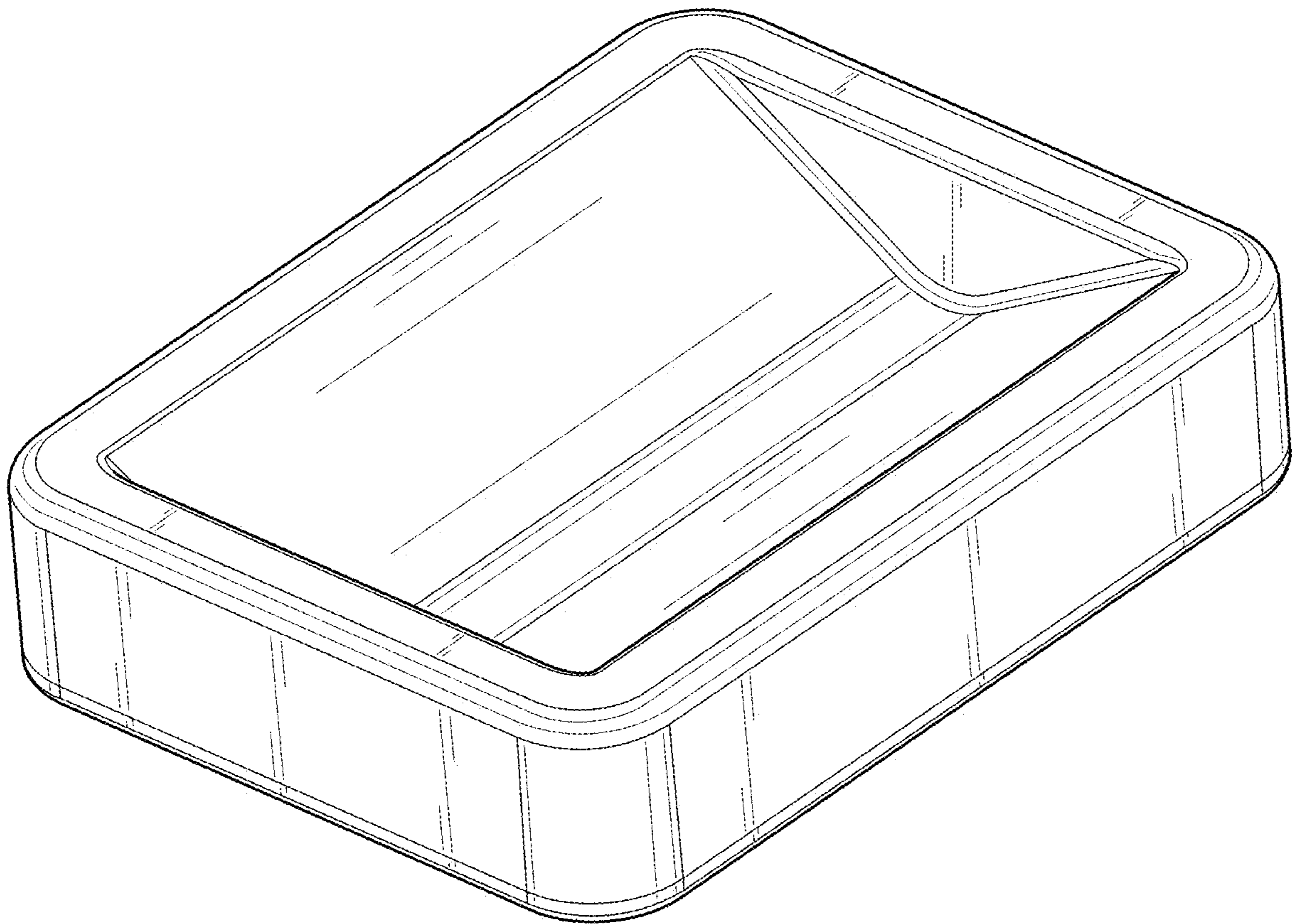


FIG. 1

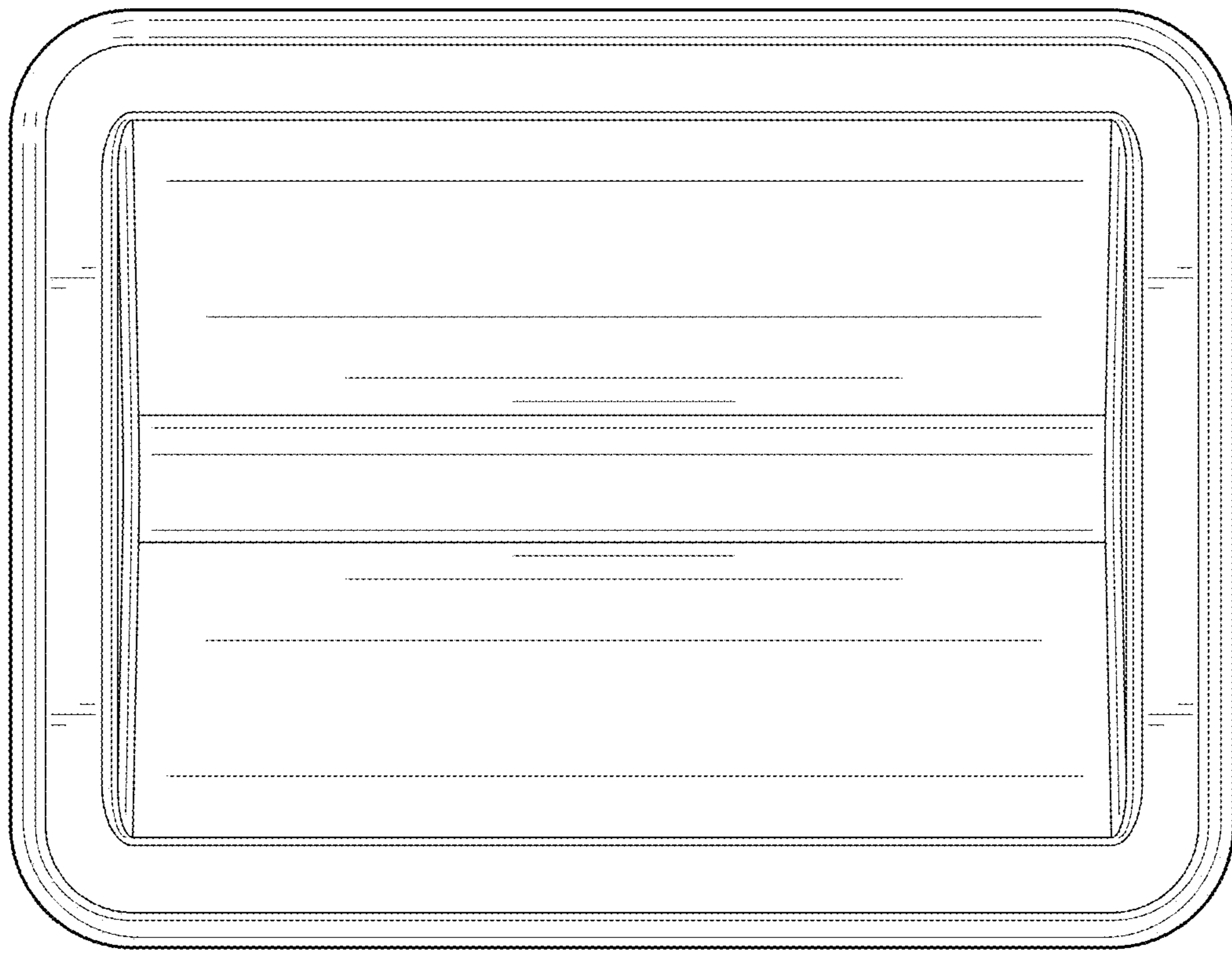


FIG. 2

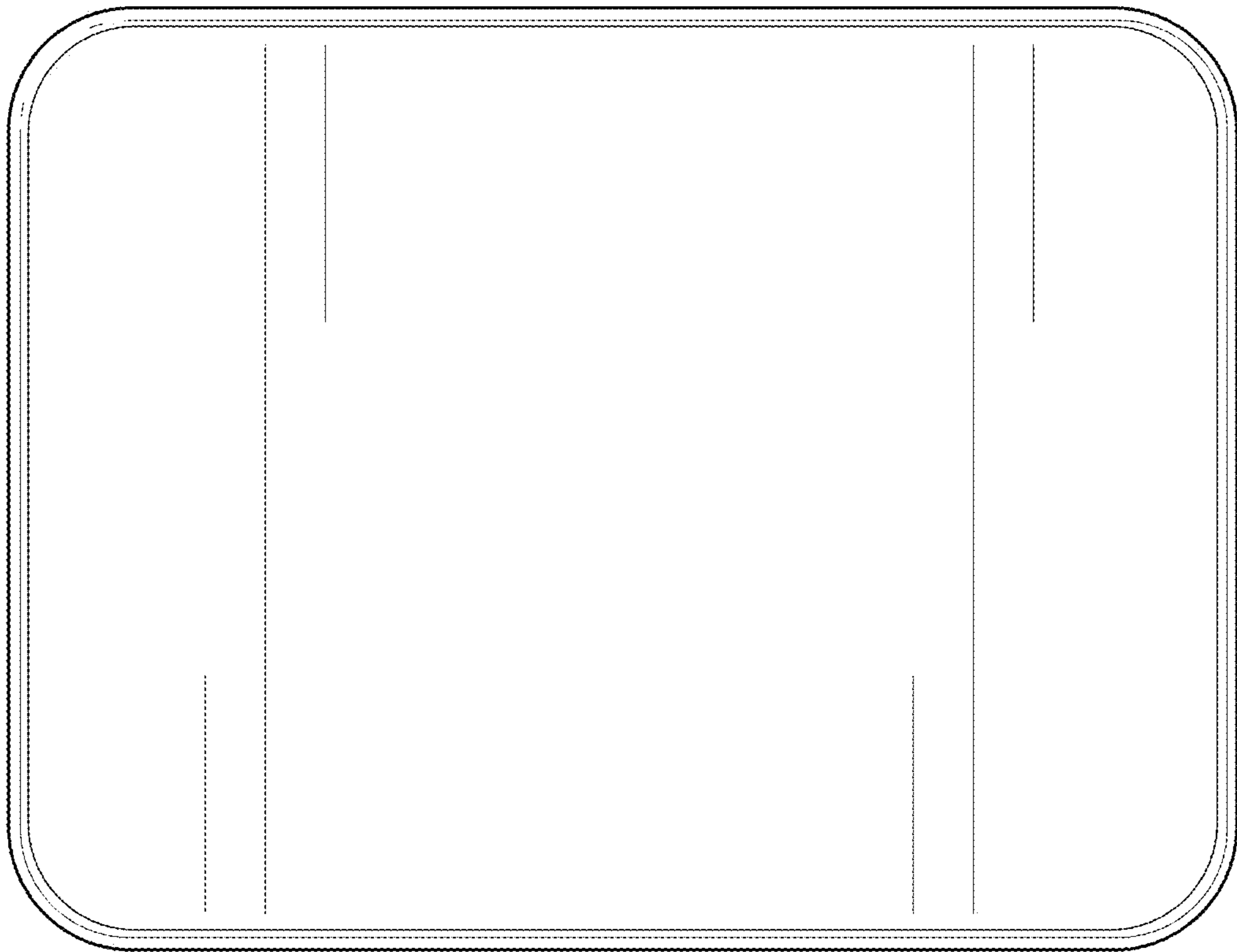


FIG. 3

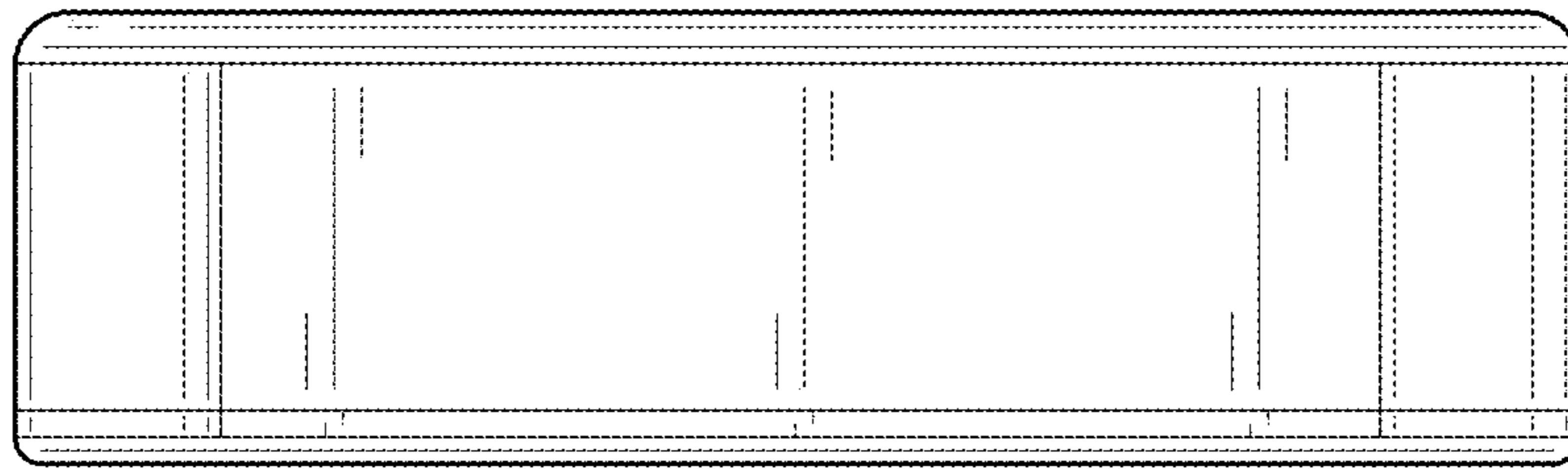


FIG. 4

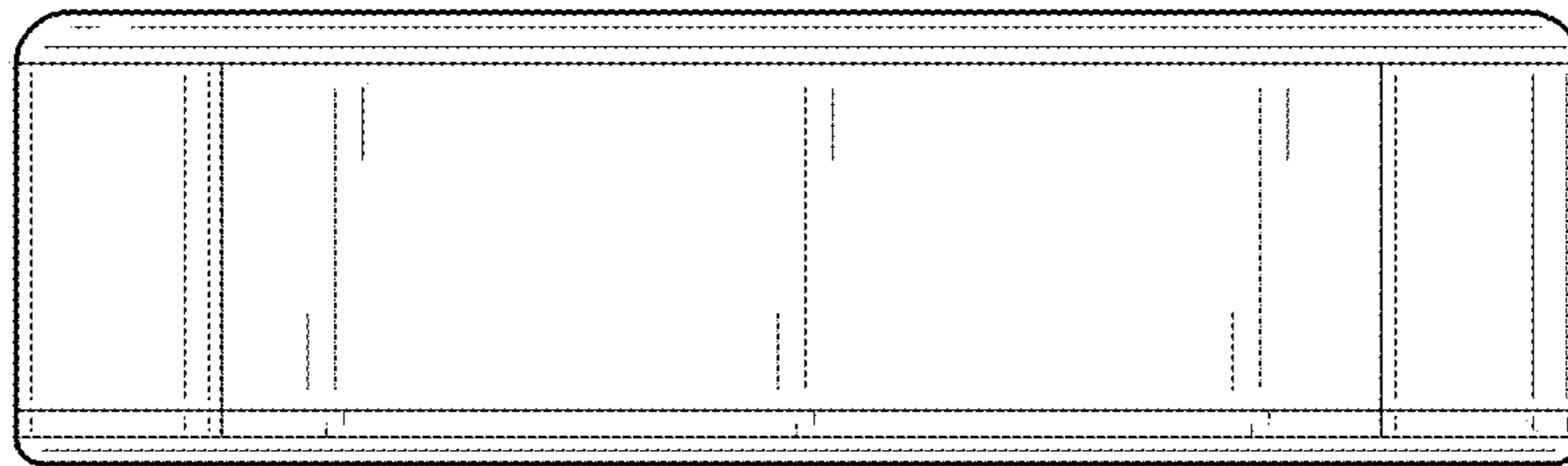


FIG. 5

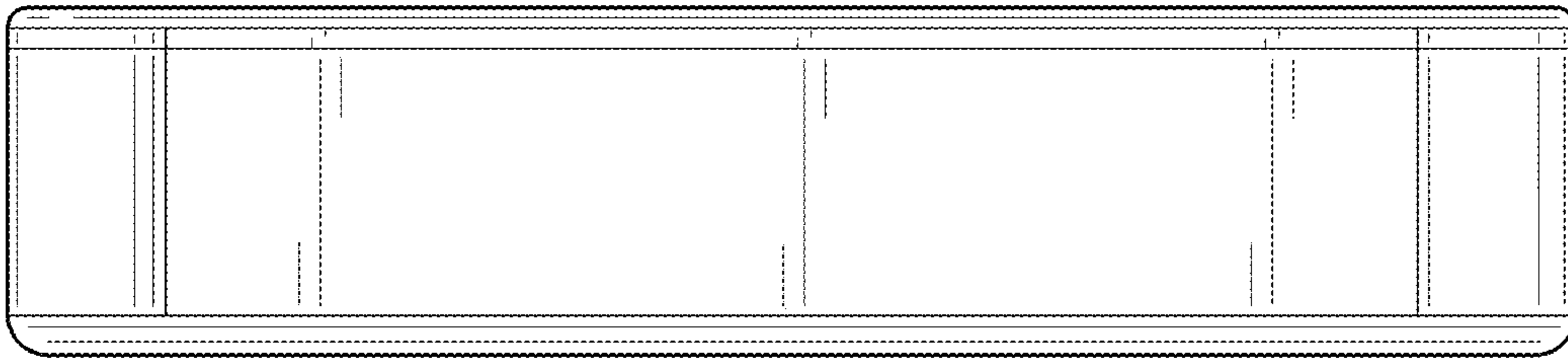


FIG. 6

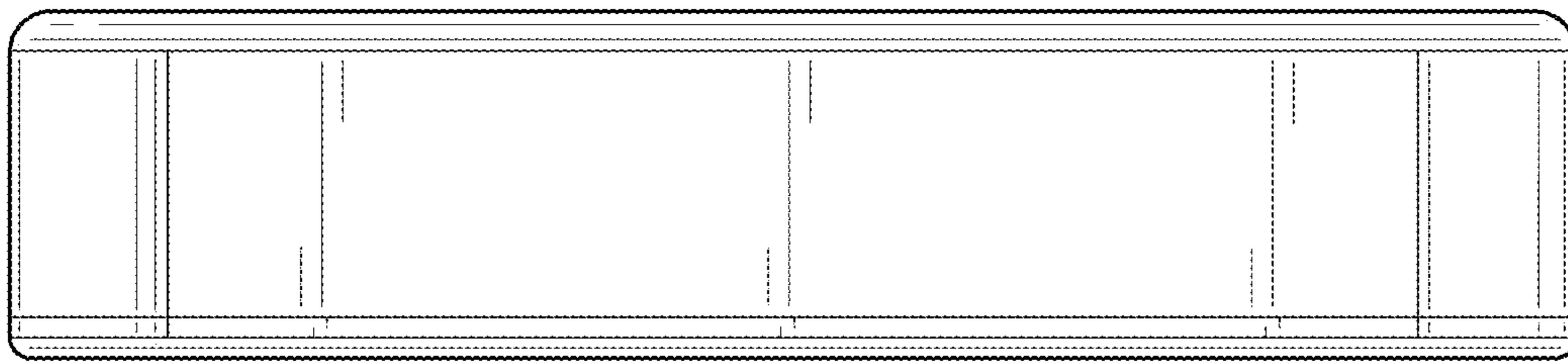


FIG. 7