



US00D893285S

(12) **United States Design Patent** (10) **Patent No.:** **US D893,285 S**
Lagnese, Sr. (45) **Date of Patent:** **** Aug. 18, 2020**

- (54) **MOUNT APPARATUS**
- (71) Applicant: **John G. Lagnese, Sr.**, Middletown, MD (US)
- (72) Inventor: **John G. Lagnese, Sr.**, Middletown, MD (US)
- (73) Assignee: **Bup Labs, LLC**, Middletown, MD (US)
- (**) Term: **15 Years**
- (21) Appl. No.: **29/678,102**
- (22) Filed: **Jan. 25, 2019**
- (51) **LOC (12) Cl.** **09-06**
- (52) **U.S. Cl.**
USPC **D8/356; D8/354**
- (58) **Field of Classification Search**
USPC D8/356, 354, 349; 361/826; 248/221.11
CPC A63B 29/00; A63B 27/00; B63B 59/02;
B63B 21/045; H05K 5/0247
See application file for complete search history.

- D321,471 S * 11/1991 Stumpf D8/381
- 5,167,353 A 12/1992 Hughes
- D368,932 S * 4/1996 Mussalo D19/100
- 5,634,619 A * 6/1997 Alessi A47B 57/565
248/219.3
- D399,727 S * 10/1998 Richter D8/380
- 5,884,695 A * 3/1999 Brownlee F22B 37/107
122/DIG. 13
- D430,005 S * 8/2000 Stearns D8/380
- D436,399 S * 1/2001 Poland D23/322
- D436,522 S * 1/2001 Neider D8/380
- 6,367,832 B1 4/2002 Vogel
- 6,431,422 B1 8/2002 Moore
- 6,431,500 B1 * 8/2002 Jacobs F16L 3/13
24/129 R
- 6,712,376 B2 3/2004 Eberhardt
- D490,692 S * 6/2004 Williams D8/356
- D498,136 S * 11/2004 Parker D8/323
- D521,851 S * 5/2006 Smart D8/354
- 7,293,900 B1 11/2007 Lee
- 7,431,393 B1 10/2008 Huang

(Continued)

Primary Examiner — Cynthia R Underwood
(74) *Attorney, Agent, or Firm* — Leveque IP Law, P.C.

(57) **CLAIM**

What is claimed is the ornamental design for a mount apparatus, as shown and described.

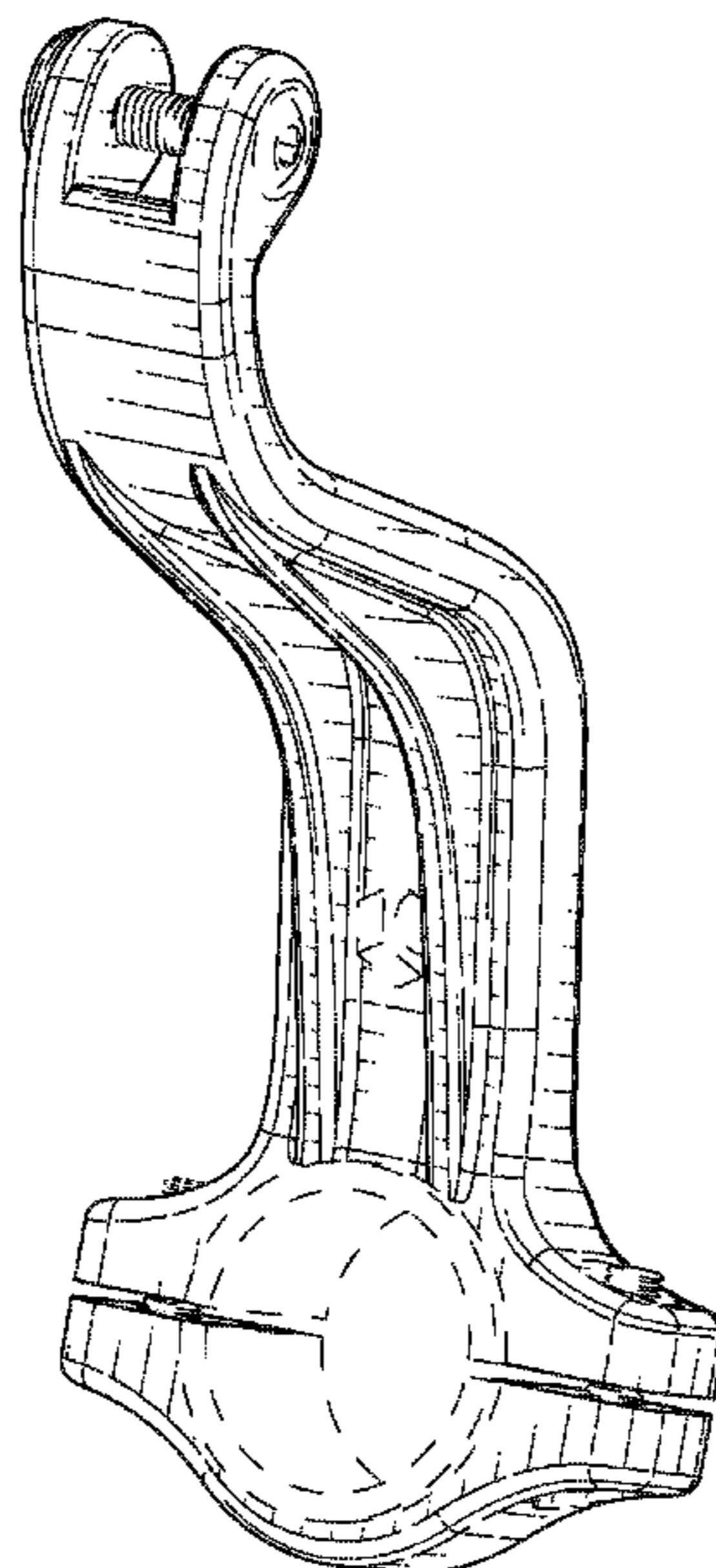
DESCRIPTION

FIG. 1 is a front perspective view of a design for a mount apparatus;
FIG. 2 is a front view thereof;
FIG. 3 is a rear view thereof;
FIG. 4 is a left-side view thereof;
FIG. 5 is a right-side view thereof;
FIG. 6 is a top view thereof; and,
FIG. 7 is a bottom view thereof.
The broken lines represent portions of the structure that forms no part of the claim.

1 Claim, 7 Drawing Sheets

(56) **References Cited**
U.S. PATENT DOCUMENTS

- 585,518 A 6/1897 Tufford
- 597,947 A 1/1898 Bragger
- 625,944 A 5/1899 White et al.
- 650,211 A 5/1900 Wirth
- 663,121 A 12/1900 Frost
- 2,905,743 A * 9/1959 Sylvester H01B 17/16
174/73.1
- 4,114,241 A * 9/1978 Bisping F16L 3/13
403/188
- 4,403,759 A * 9/1983 Hicks F16L 3/18
248/55
- 4,722,500 A * 2/1988 Bray F16L 3/00
138/106
- 4,966,382 A 10/1990 Giles



US D893,285 S

(56)

References Cited

U.S. PATENT DOCUMENTS

D618,985 S *	7/2010	Sjoqvist	D8/356	2006/0131469 A1*	6/2006	Roy	F16L 3/02 248/346.03
7,815,156 B2	10/2010	Yang		2007/0160364 A1	7/2007	Peika	
D629,286 S *	12/2010	Laskowski	D8/356	2007/0247858 A1	10/2007	Ford	
8,261,954 B2	9/2012	Lee		2008/0054143 A1*	3/2008	Collins	F16L 3/02 248/227.2
8,348,296 B2	1/2013	Taiga		2008/0121763 A1*	5/2008	Mori	H02G 3/32 248/68.1
D685,624 S *	7/2013	Van Der Blom	D8/356	2008/0251555 A1	10/2008	Andrews	
D693,731 S *	11/2013	Dunn	D11/184	2009/0039125 A1	2/2009	Bock	
D704,535 S *	5/2014	Burda	D8/356	2009/0071992 A1	3/2009	Franz	
8,720,758 B2	5/2014	Angeli		2010/0059638 A1	3/2010	Taiga	
8,769,837 B2	7/2014	Min		2010/0084521 A1	4/2010	Cases	
D713,947 S *	9/2014	Jensen	D23/322	2010/0127030 A1	5/2010	Muhlberger	
D715,623 S *	10/2014	Holtby	D8/356	2010/0132167 A1	6/2010	Ueda	
8,910,803 B2 *	12/2014	Holtby	F16L 1/0246 211/70.4	2010/0225459 A1	9/2010	Lee	
8,998,048 B1	4/2015	Wu		2010/0264184 A1	10/2010	Retief	
D738,711 S *	9/2015	Tally	D8/380	2014/0157944 A1	6/2014	Galstad	
D741,151 S *	10/2015	Iseminger	D8/356	2014/0252188 A1	9/2014	Webster	
9,186,691 B2	11/2015	Carrozza		2014/0263509 A1	9/2014	Oquendo	
D756,759 S *	5/2016	Atkins	D8/381	2015/0183478 A1	7/2015	Tate	
D758,834 S *	6/2016	Tally	D8/380	2015/0329163 A1	11/2015	Lee	
9,359,032 B2	6/2016	Freiser		2016/0014377 A1	1/2016	Fiegert	
D767,796 S *	9/2016	Kinsman	D25/133	2016/0031508 A1	2/2016	Battigello	
D779,585 S *	2/2017	Dedrick	D17/20	2016/0221715 A1*	8/2016	Pratt	B65D 19/44
9,638,387 B2	5/2017	Hollingworth		2017/0168375 A1	6/2017	Lajoie	
D793,213 S *	8/2017	Heymann	D8/380	2017/0297643 A1	10/2017	Chuang	
D824,749 S *	8/2018	Wright	D8/354	2017/0313374 A1	11/2017	Chen	
D829,809 S *	10/2018	Harrison	D16/245	2017/0334498 A1	11/2017	Yu	
D837,638 S *	1/2019	Sargent	D8/380	2018/0037285 A1	2/2018	Chuang	
D856,119 S *	8/2019	McGugan	D8/356	2018/0111654 A1	4/2018	Emerson	
2003/0106919 A1	6/2003	Chuang		2018/0127042 A1	5/2018	Kerbel	
				2018/0170469 A1	6/2018	Zheng	

* cited by examiner

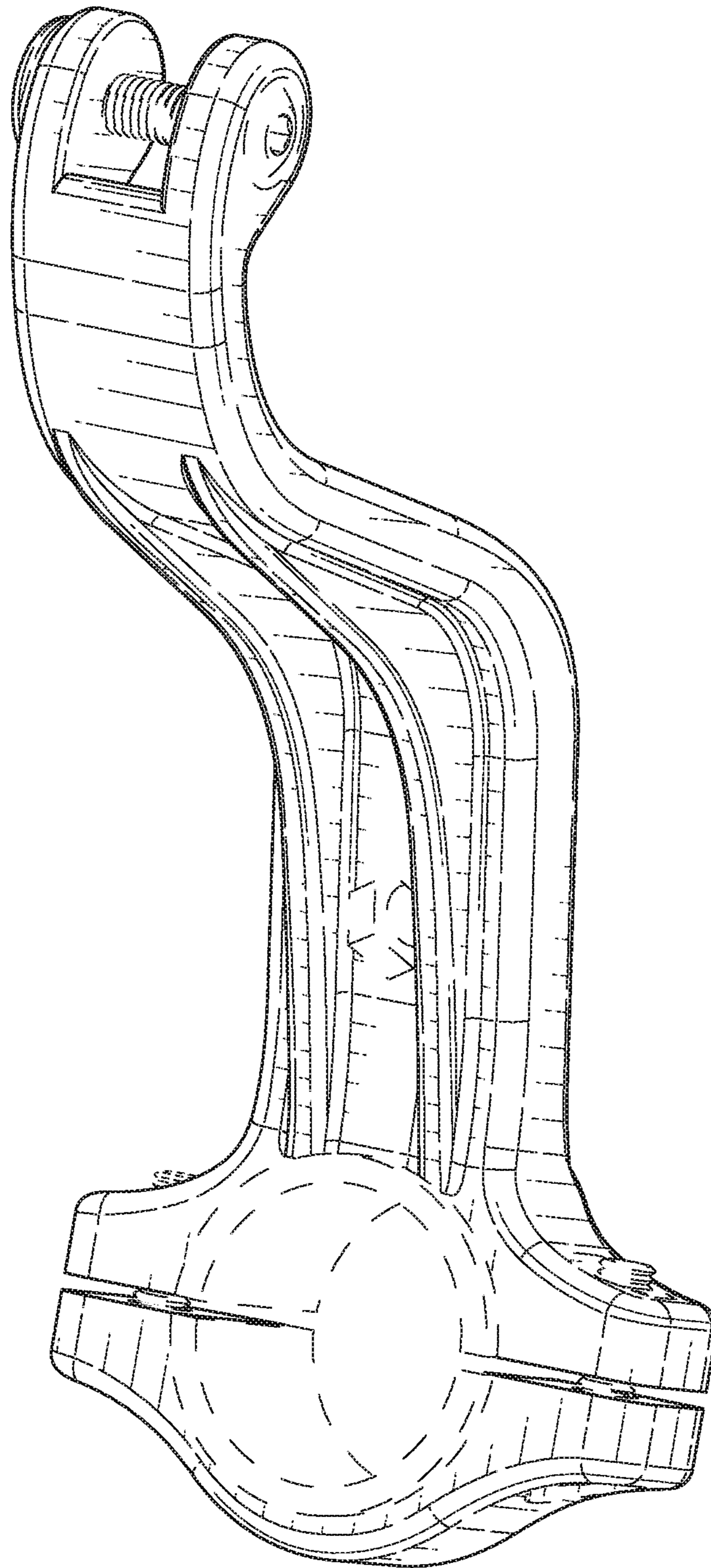


FIG. 1

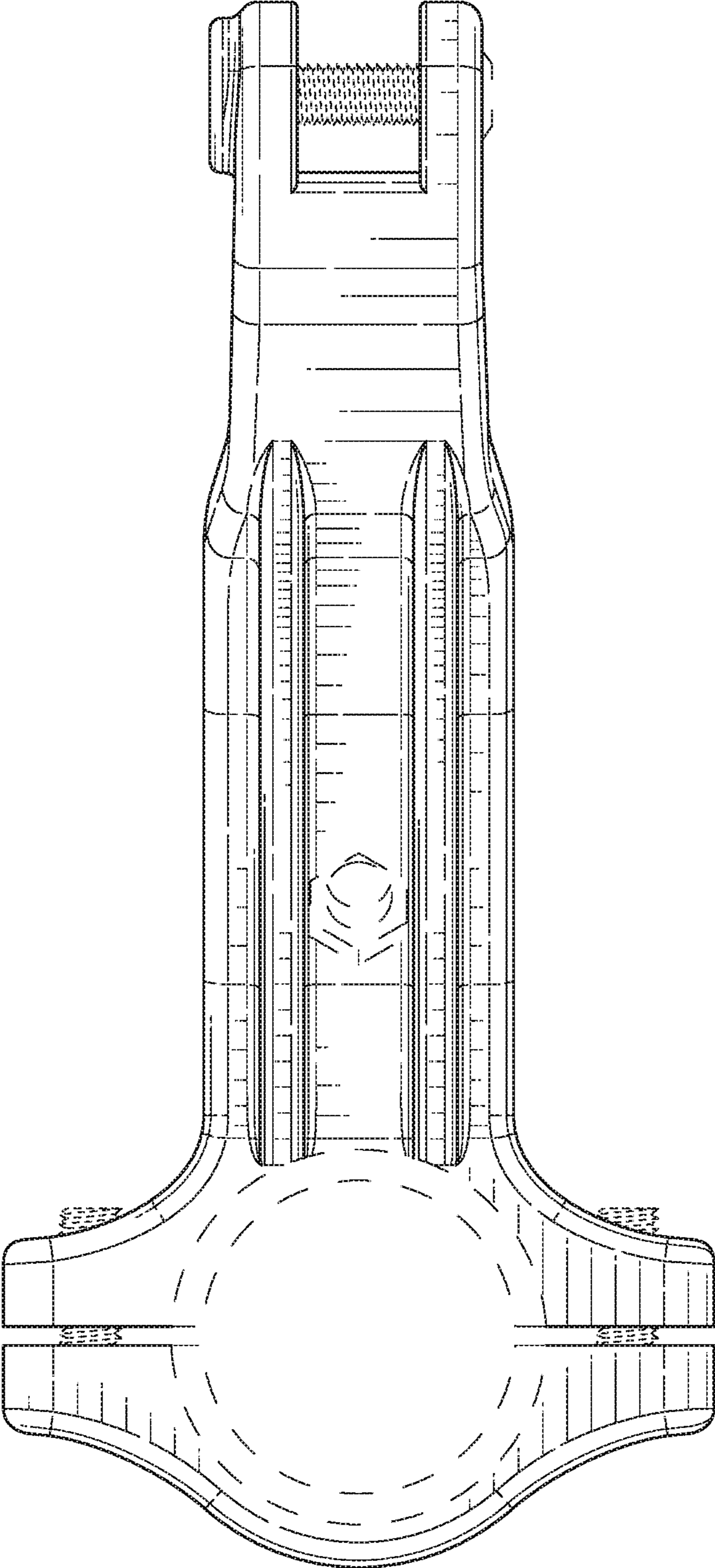


FIG. 2

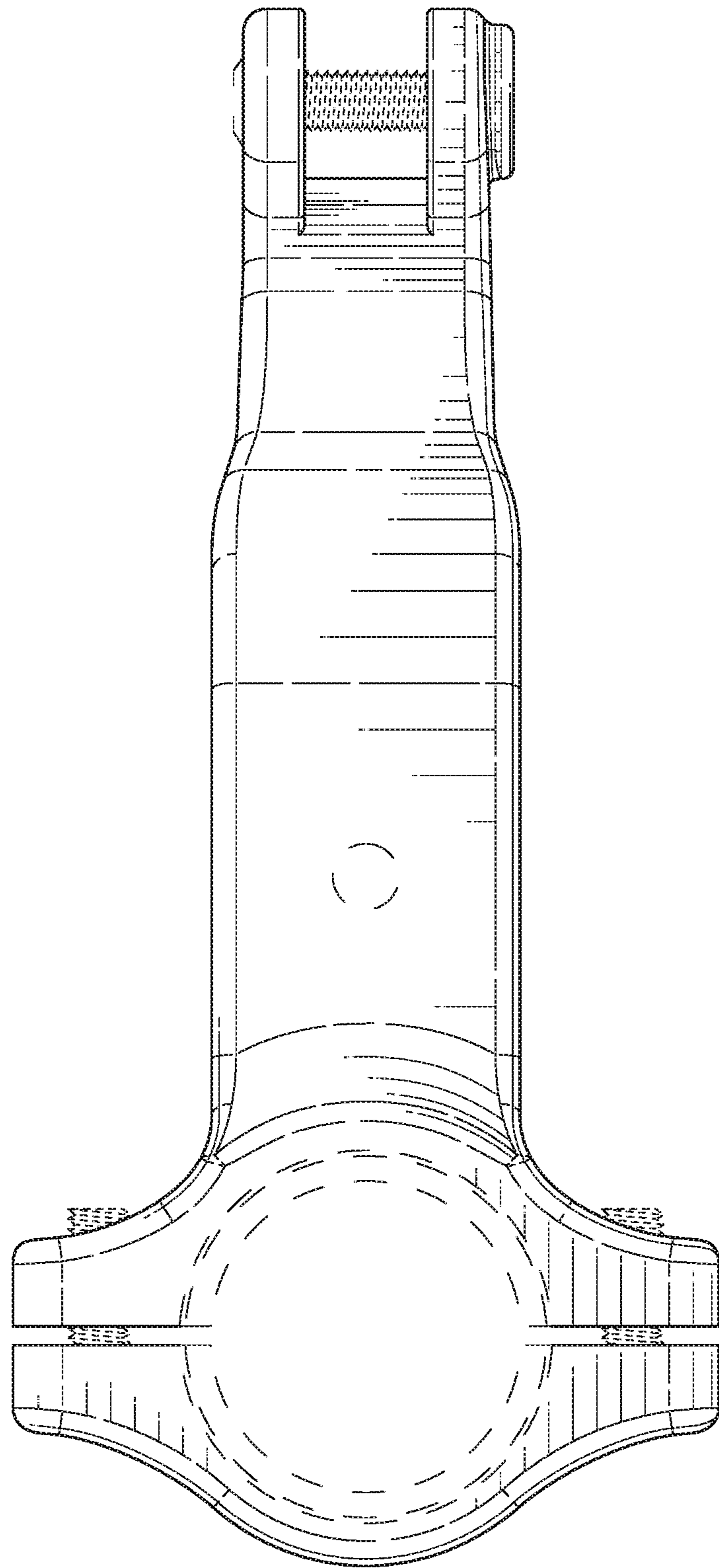


FIG. 3

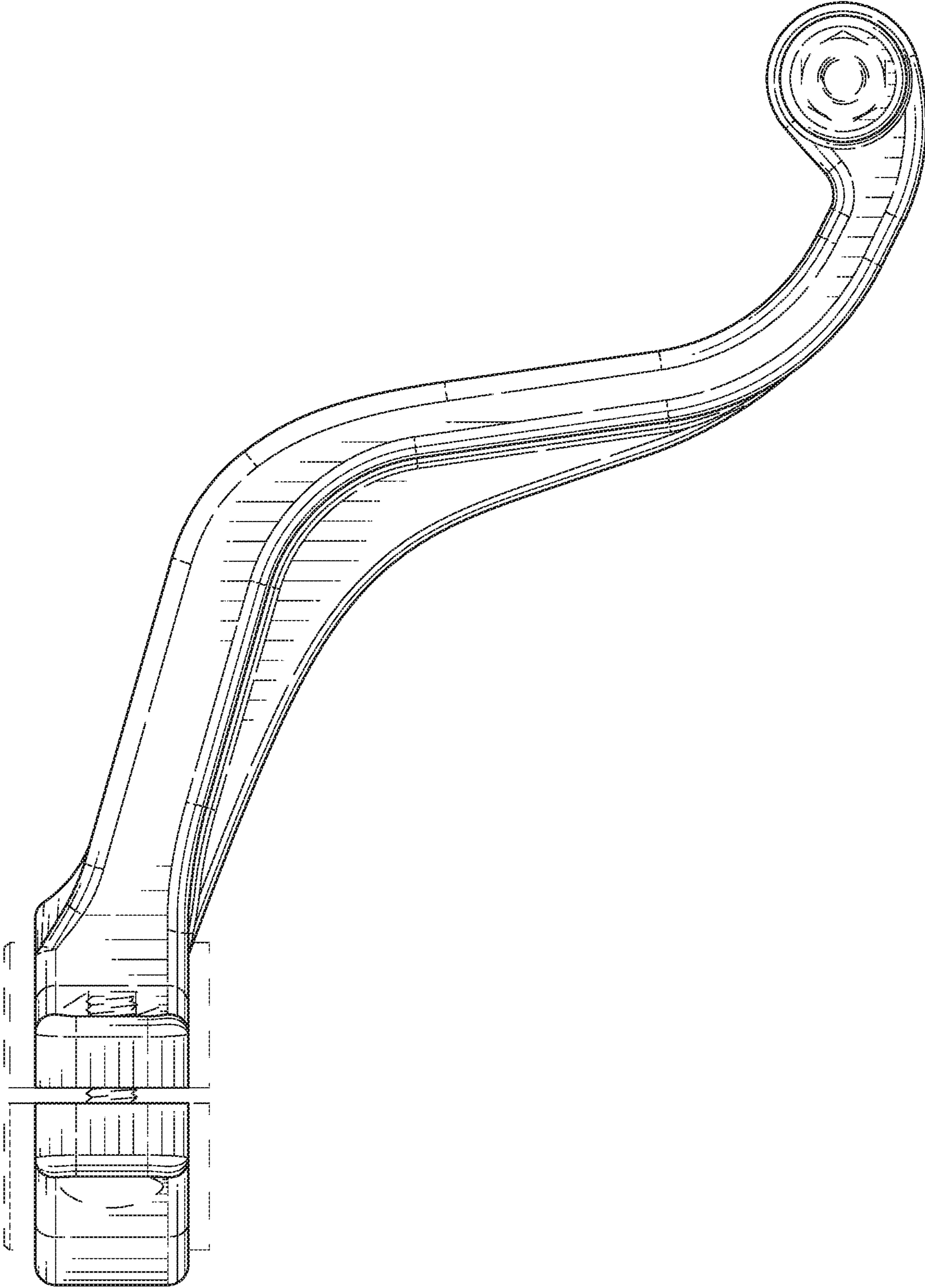


FIG. 4

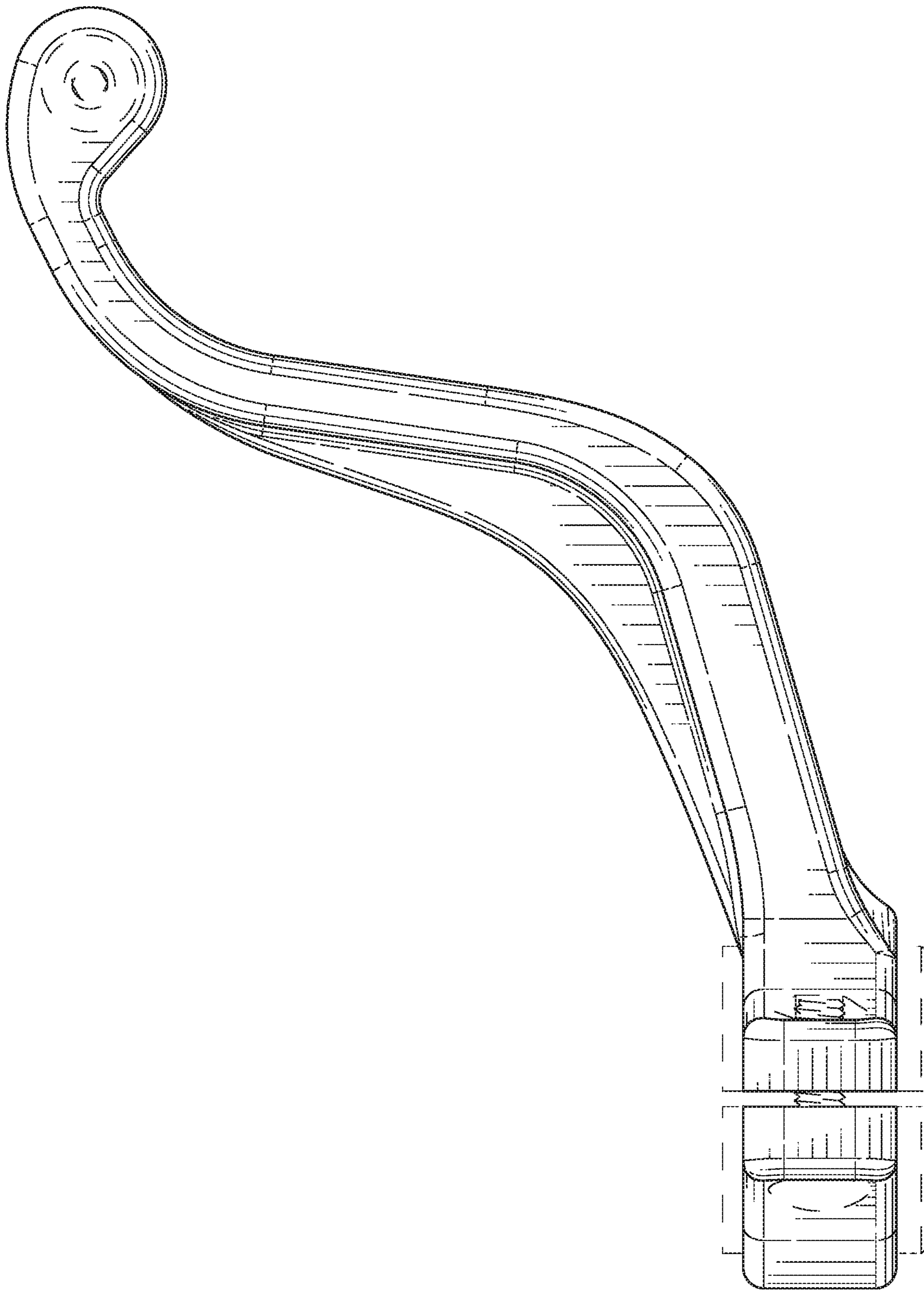


FIG. 5

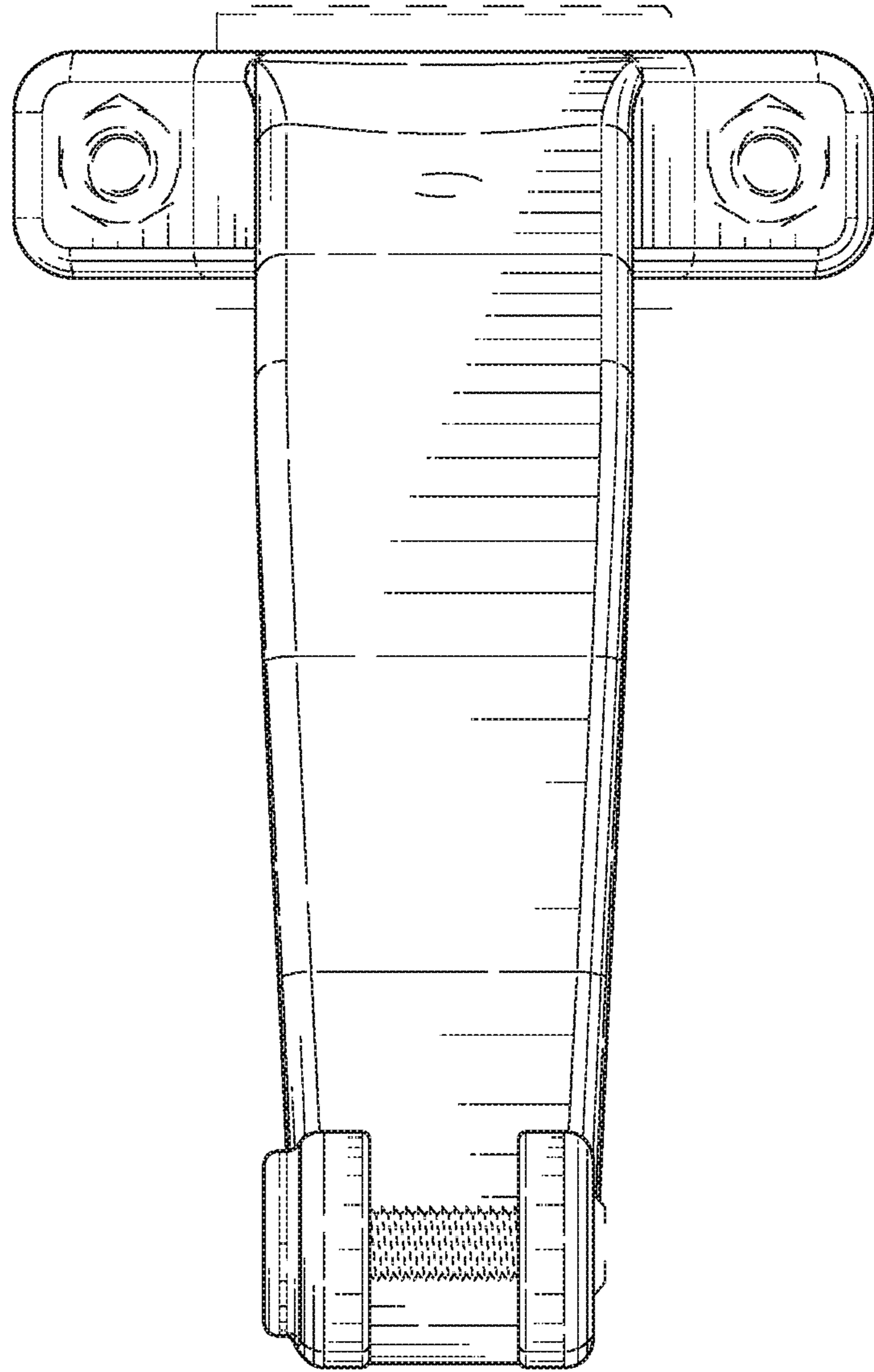


FIG. 6

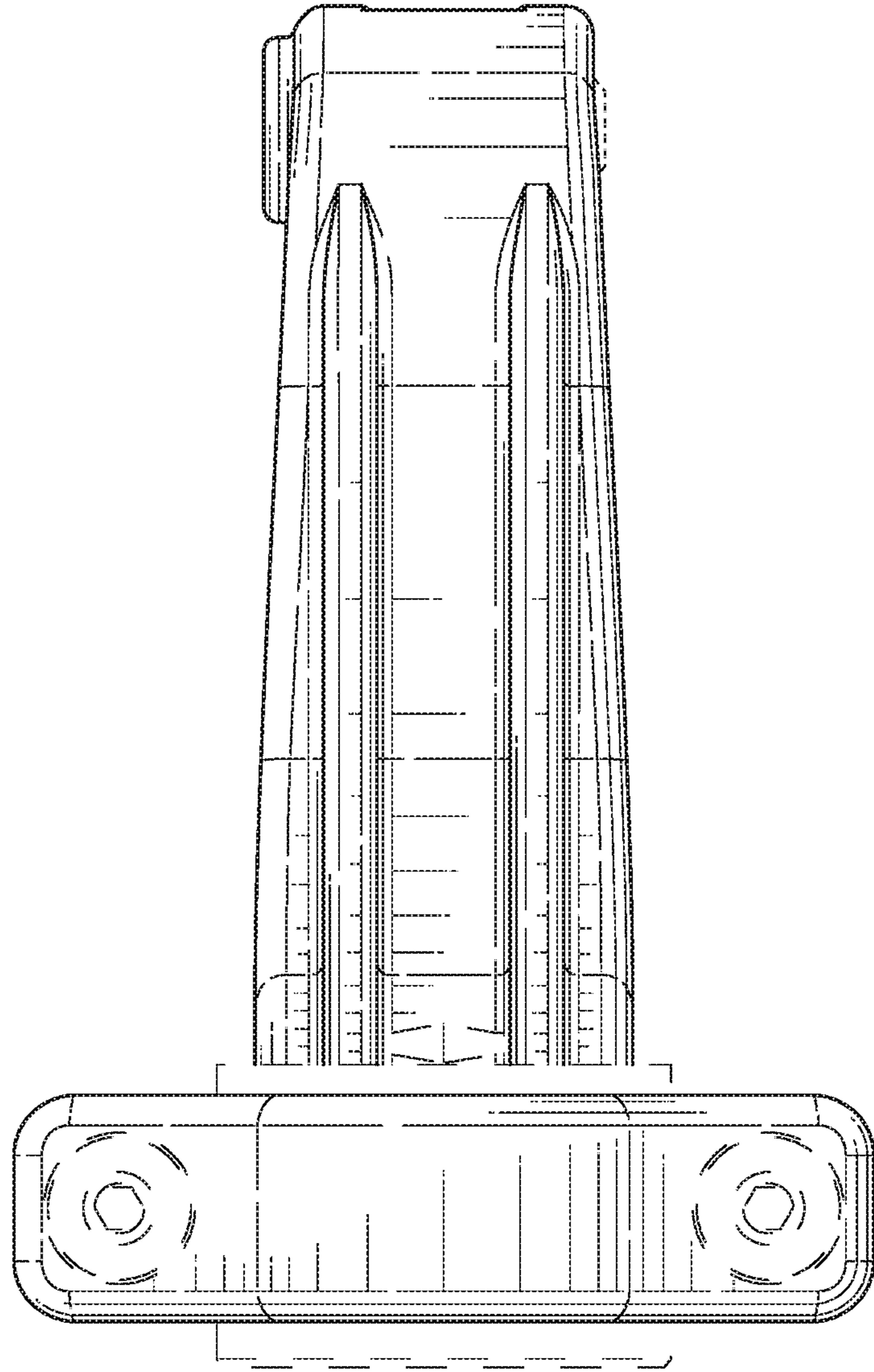


FIG. 7