



US00D893284S

(12) **United States Design Patent** (10) **Patent No.:** **US D893,284 S**  
**Hanley et al.** (45) **Date of Patent:** **\*\* Aug. 18, 2020**

- (54) **CURTAIN ROD RETURN BRACKET**
- (71) Applicant: **Kenney Manufacturing Company**,  
Warwick, RI (US)
- (72) Inventors: **Michael P. Hanley**, Smithfield, RI  
(US); **Sally Voas**, Albion, RI (US)
- (73) Assignee: **Kenney Manufacturing Company**,  
Warwick, RI (US)
- (\*\*) Term: **15 Years**
- (21) Appl. No.: **29/725,700**
- (22) Filed: **Feb. 26, 2020**

2,809,798 A	10/1957	Kenney	
5,960,516 A	10/1999	Zoroufy et al.	
6,338,179 B1	1/2002	Blackstone	
D504,609 S *	5/2005	Ferguson .....	D8/354
7,080,426 B2	7/2006	Roychowdhury	
D539,121 S *	3/2007	ter Braak .....	D8/354
7,461,431 B2	12/2008	Zoroufy	
D585,268 S *	1/2009	Woolley .....	D6/550
D633,780 S *	3/2011	Barrese .....	D8/363
8,359,707 B1	1/2013	Prezner	
8,851,435 B1	10/2014	Bastien et al.	
8,925,148 B2	1/2015	Prezner	
D739,216 S *	9/2015	Cole .....	D8/375
D795,680 S *	8/2017	Balas .....	D8/375
2010/0032536 A1	2/2010	Eagan	
2010/0224749 A1	9/2010	Tran	
2015/0265086 A1 *	9/2015	Hanley .....	A47H 1/102 248/255

**Related U.S. Application Data**

- (63) Continuation of application No. 14/607,446, filed on  
Jan. 28, 2015.
- (51) **LOC (12) Cl.** ..... **08-05**
- (52) **U.S. Cl.**  
USPC ..... **D8/354**
- (58) **Field of Classification Search**  
USPC ..... D8/354, 355, 356, 373, 363, 367, 375;  
D34/17; D14/253; D12/211; D10/72;  
D13/154  
CPC .... B65H 2801/81; B65H 35/00; B65H 35/10;  
B65H 37/00; B65H 39/16; B65H 41/00;  
B65H 75/08; B65H 75/16  
See application file for complete search history.

**References Cited**

**U.S. PATENT DOCUMENTS**

1,405,268 A	1/1922	Brinegar	
1,525,533 A *	2/1925	Brown .....	A47H 5/09 211/96
1,593,114 A	7/1926	Wyatt	
1,624,392 A	4/1927	Cleverly	
2,134,078 A	10/1938	Farner et al.	

\* cited by examiner

*Primary Examiner* — Keli L Hill  
*Assistant Examiner* — Harold E Blackwell, II  
 (74) *Attorney, Agent, or Firm* — Adler Pollock &  
 Sheehan P.C.

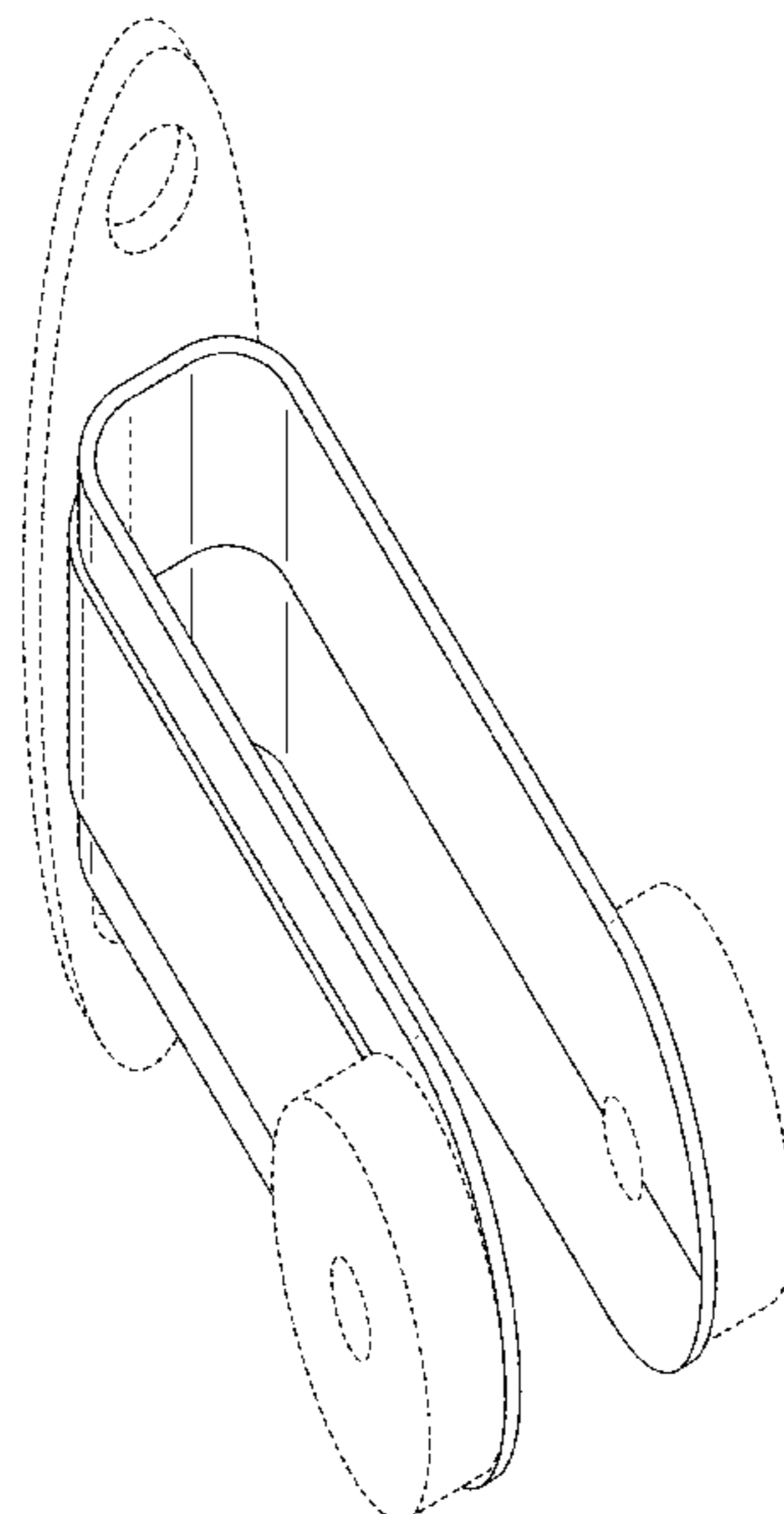
(57) **CLAIM**

The ornamental design for a curtain rod return bracket, as shown and described.

**DESCRIPTION**

FIG. 1 is a perspective view of a curtain rod return bracket in accordance with the subject disclosure.  
 FIG. 2 is a front view thereof.  
 FIG. 3 is a rear view thereof.  
 FIG. 4 is a left side view thereof.  
 FIG. 5 is a right side view thereof.  
 FIG. 6 is a top view thereof.  
 FIG. 7 is a bottom view thereof; and,  
 The broken lines illustrate portions of the curtain rod return bracket that form no part of the claimed design.

**1 Claim, 7 Drawing Sheets**



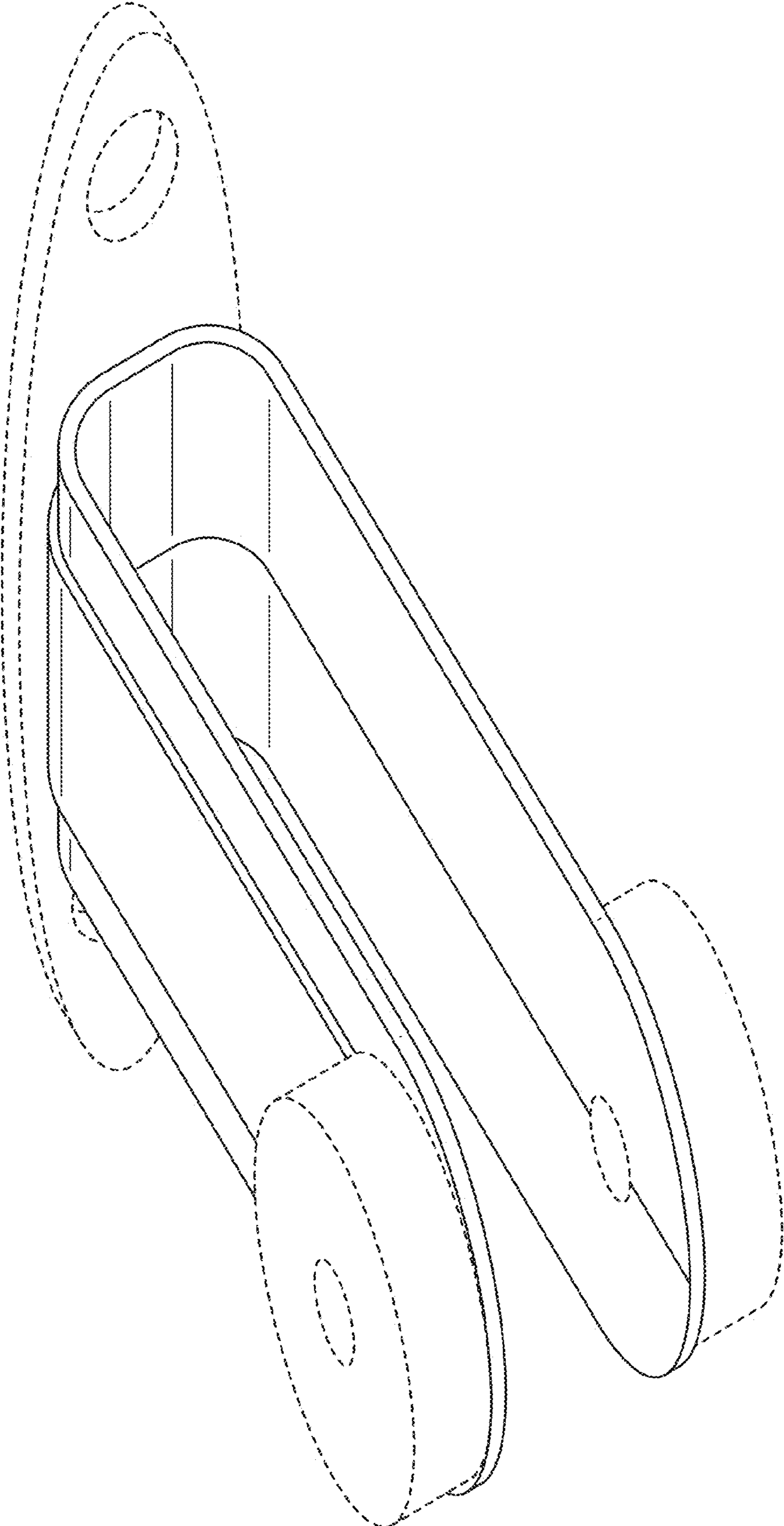


FIG. 1

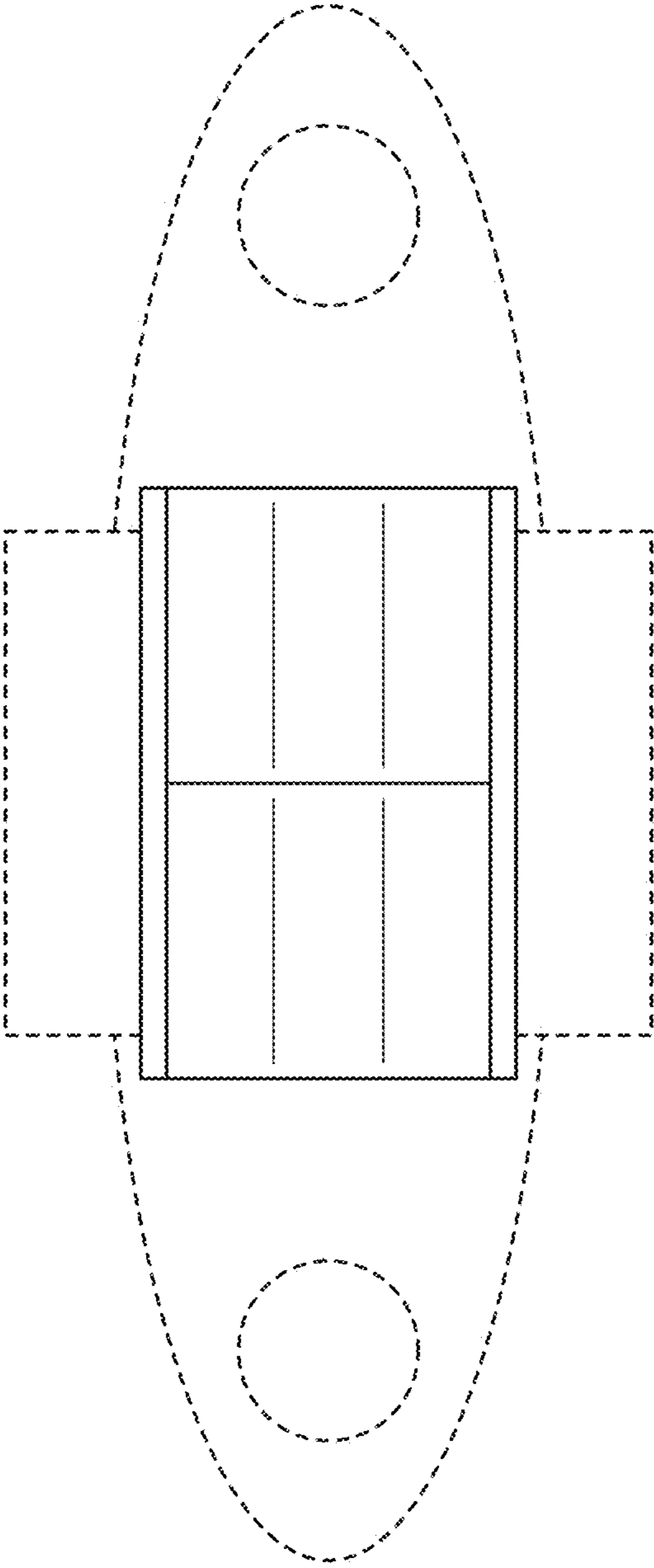


FIG. 2

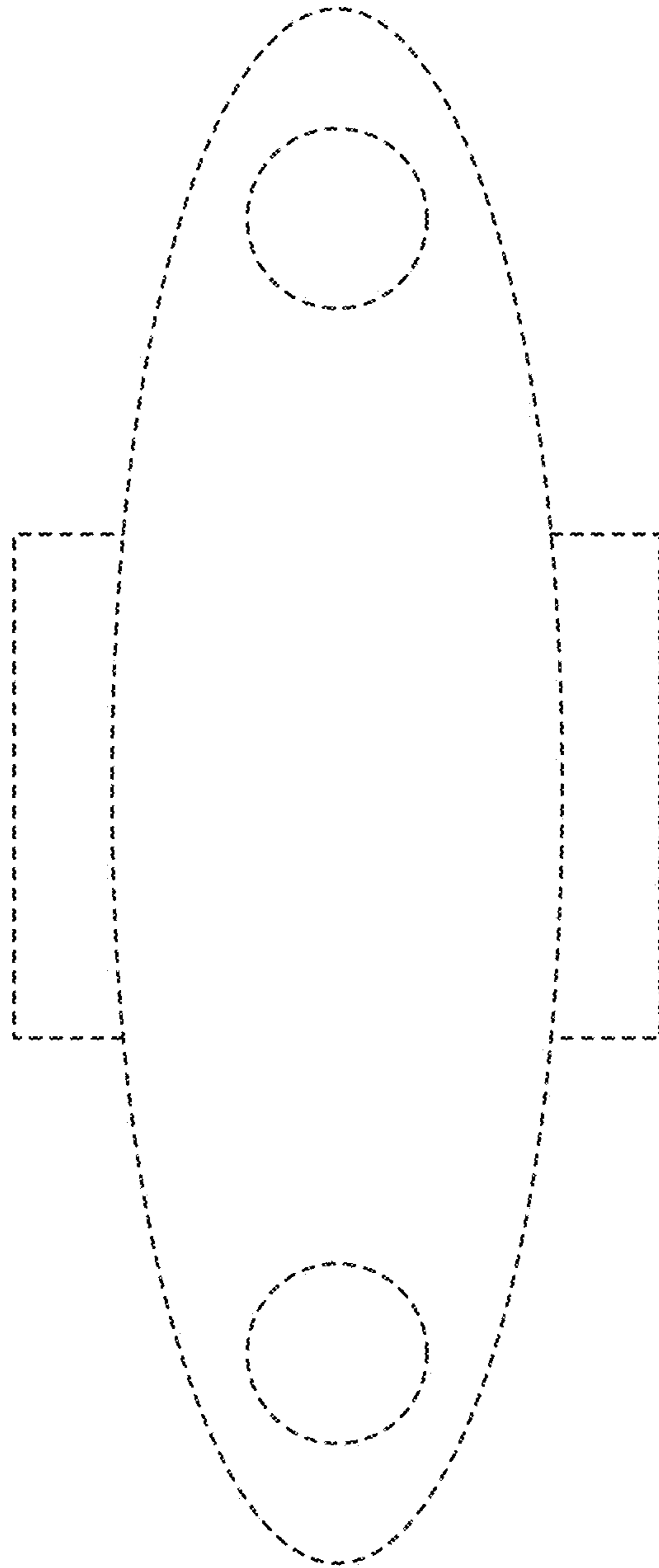


FIG. 3

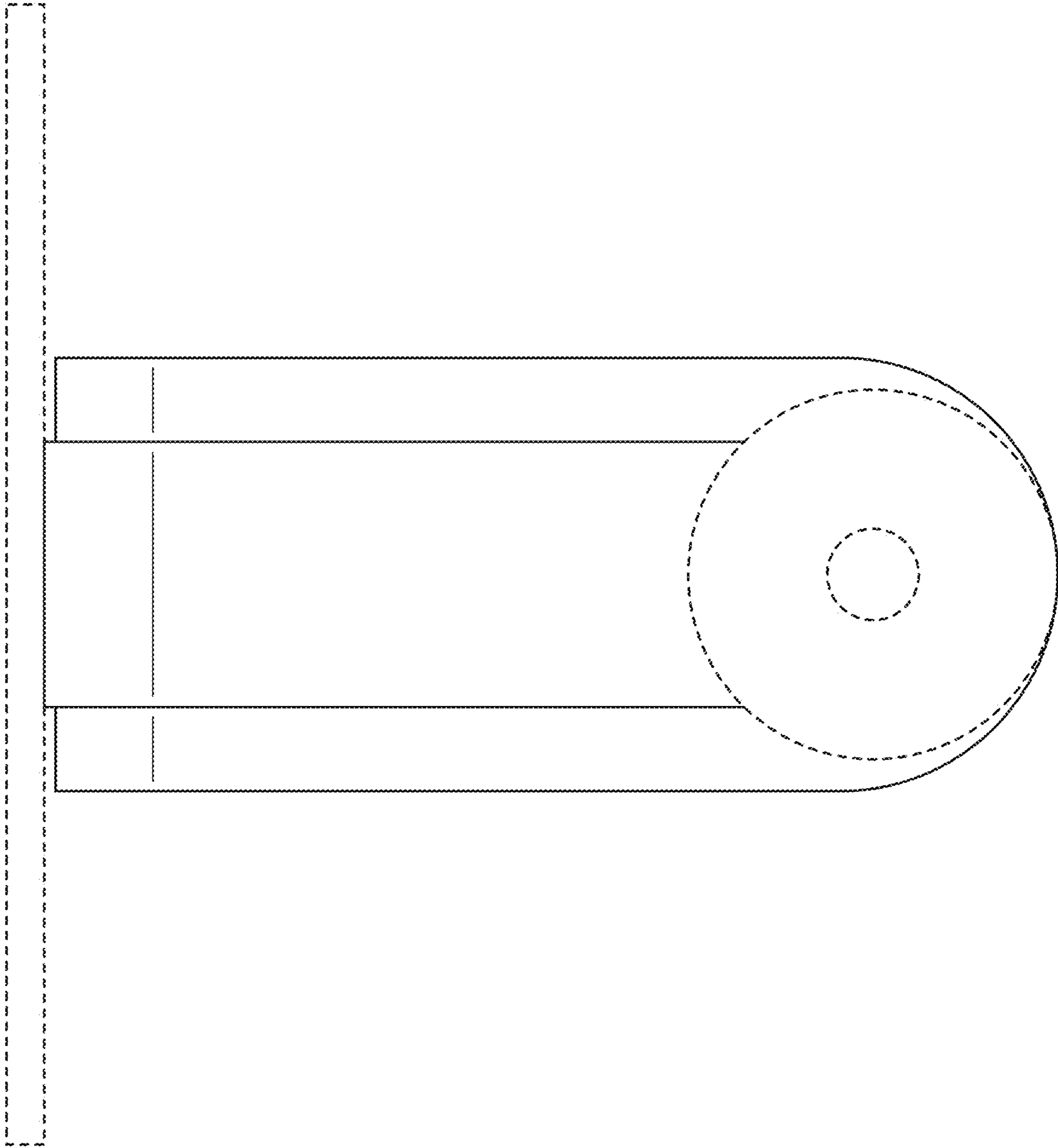


FIG. 4

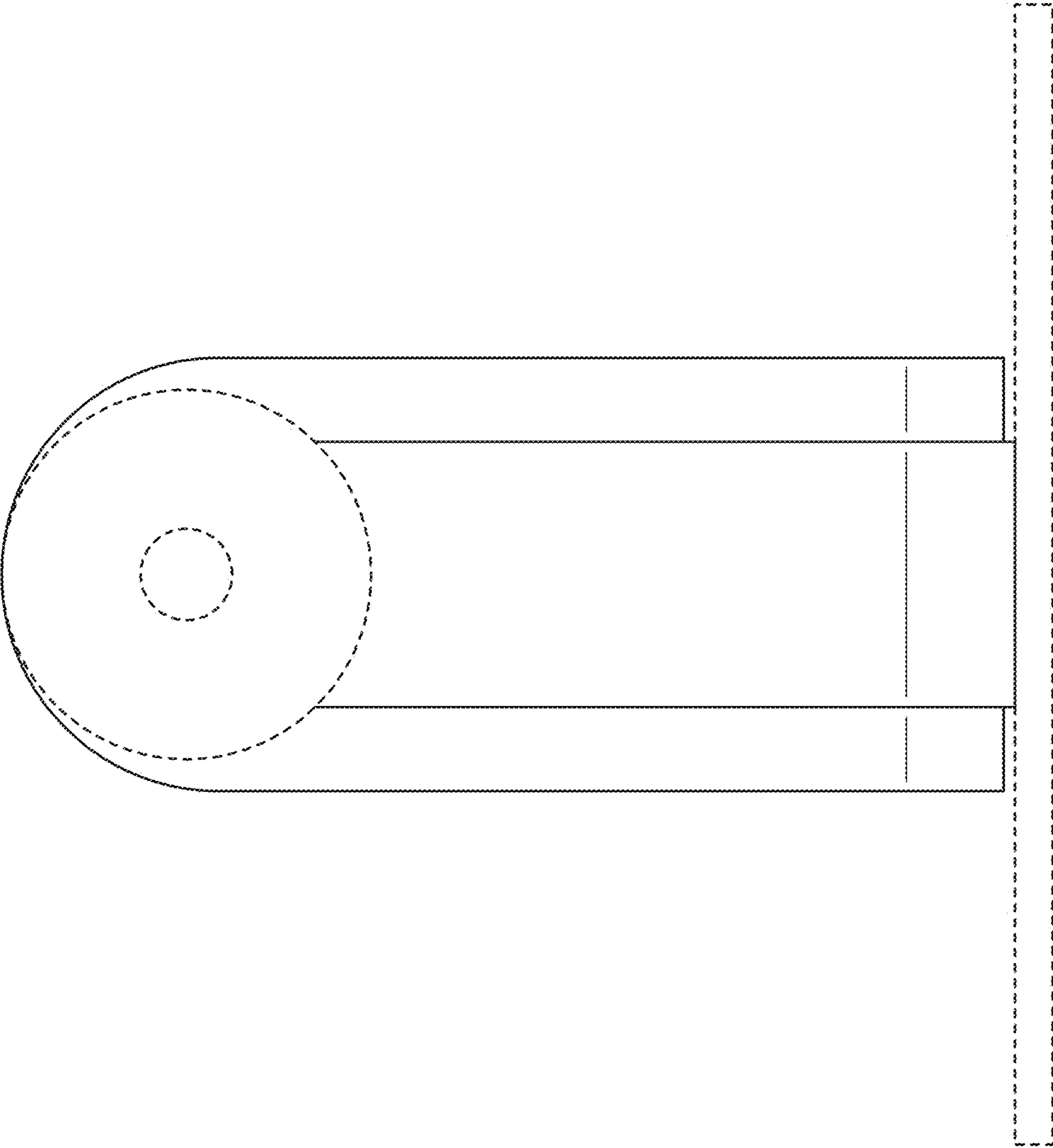


FIG. 5

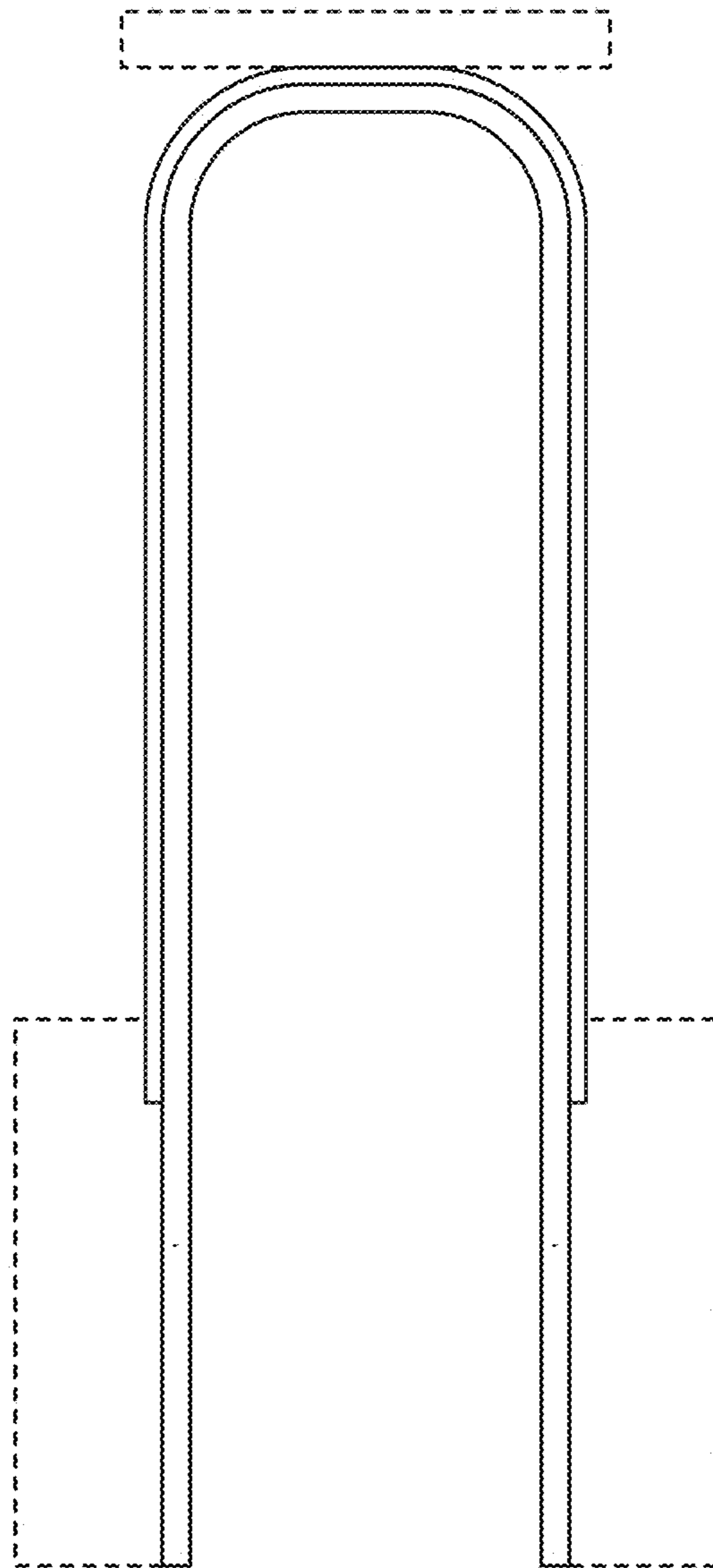


FIG. 6



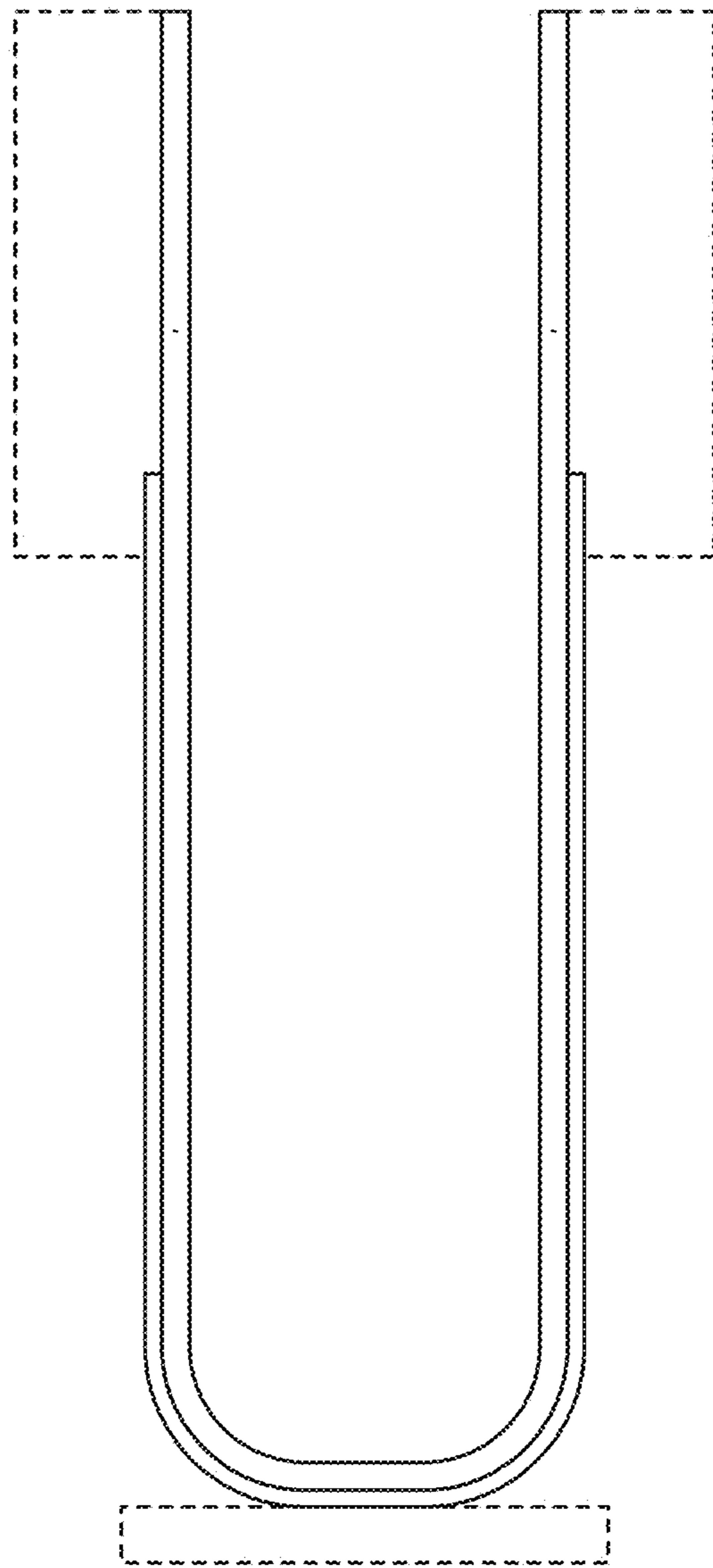


FIG. 7