



US00D893283S

(12) **United States Design Patent**
Haas

(10) **Patent No.:** **US D893,283 S**

(45) **Date of Patent:** **** Aug. 18, 2020**

(54) **GUARD SUPPORTING MEMBER FOR A GABION BASKET**

D264,532 S * 5/1982 Fether D8/349

* cited by examiner

(71) Applicant: **Thomas S. Haas**, Evansville, IN (US)

Primary Examiner — Holly H Baynham

(72) Inventor: **Thomas S. Haas**, Evansville, IN (US)

(74) *Attorney, Agent, or Firm* — Gary K. Price

(**) Term: **15 Years**

(57) **CLAIM**

(21) Appl. No.: **29/683,274**

The ornamental design for a guard supporting member for a gabion basket, as shown and described.

(22) Filed: **Mar. 12, 2019**

DESCRIPTION

(51) **LOC (12) Cl.** **08-05**

(52) **U.S. Cl.**

USPC **D8/354**

(58) **Field of Classification Search**

USPC D8/349, 354; D25/48.8, 119

CPC A22C 21/0046; A61H 2201/0119

See application file for complete search history.

FIG. 1 is an isometric view of my new design, a guard supporting member with two (2) prior art gabion baskets shown in broken lines to illustrate the environment of the claimed design and forms no part thereof.

FIG. 2 is an isometric front left top view of the guard supporting member shown in FIG. 1.

FIG. 3 is an isometric front right top view of the guard supporting member shown in FIG. 1.

FIG. 4 is a front view of my new design.

FIG. 5 is a top view of my new design; and,

FIG. 6 is a bottom view of my new design.

(56) **References Cited**

U.S. PATENT DOCUMENTS

3,350,045 A * 10/1967 Mayers G09F 1/10
248/205.3

1 Claim, 6 Drawing Sheets

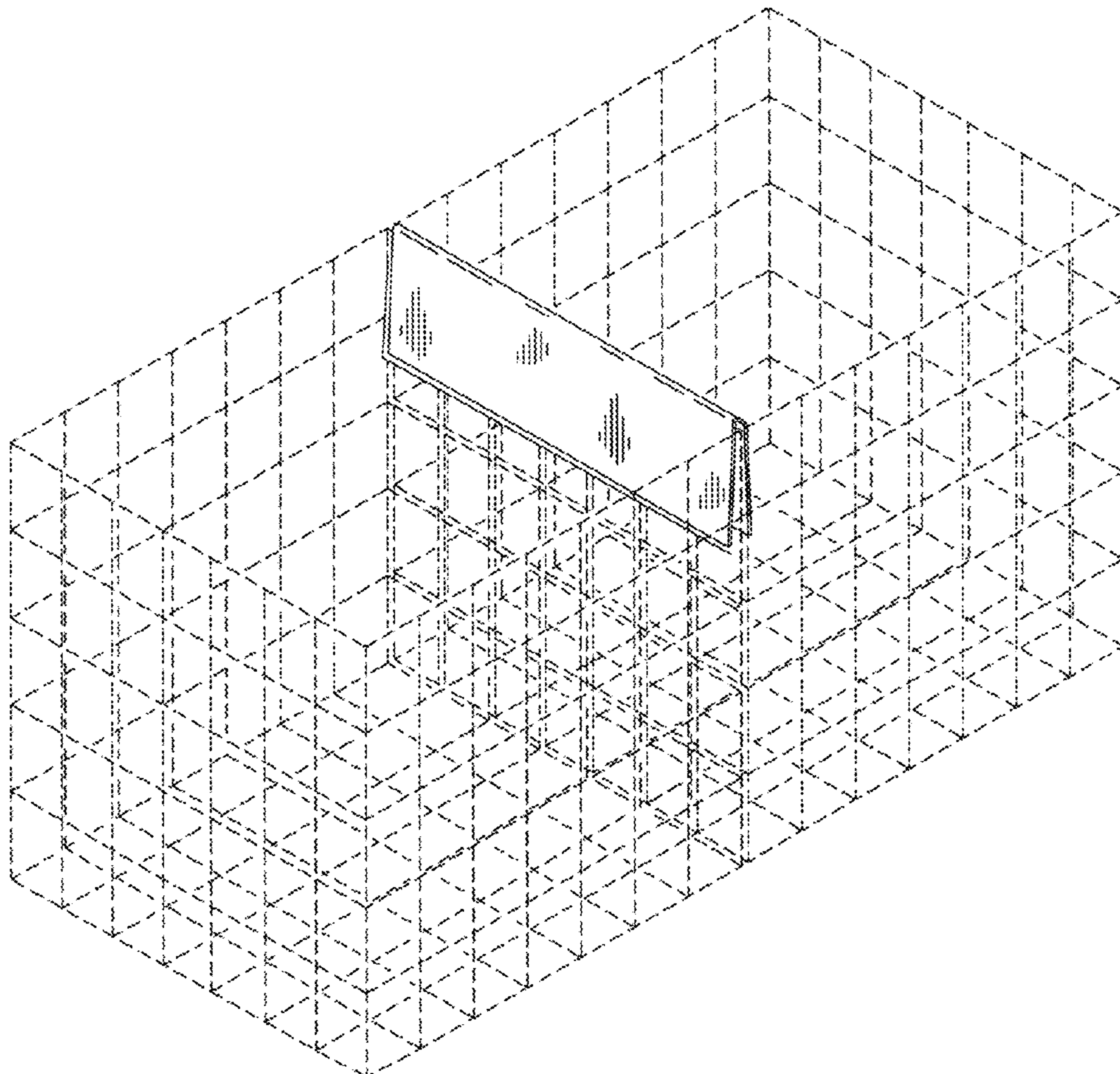


FIG. 1

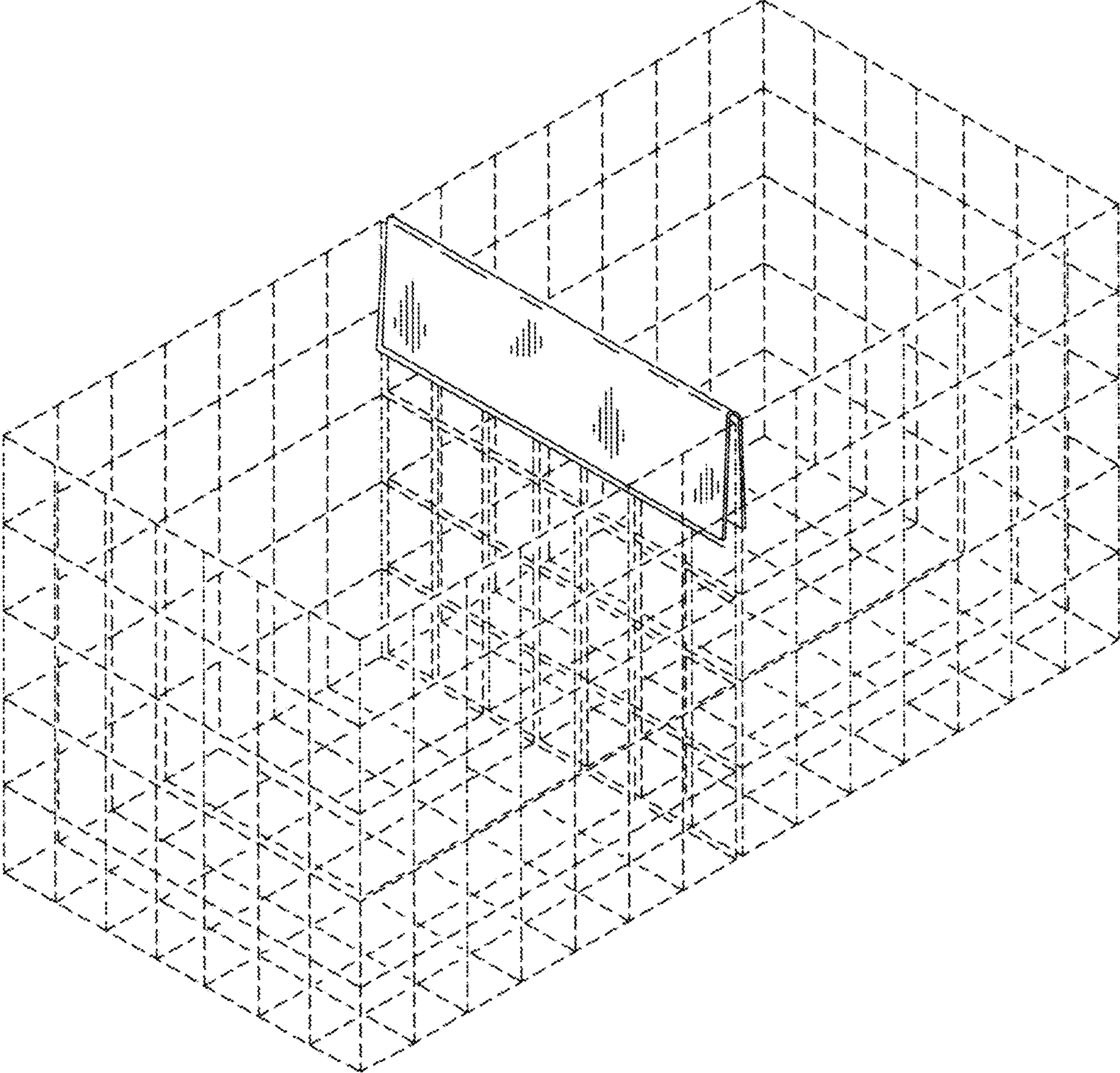


FIG. 2

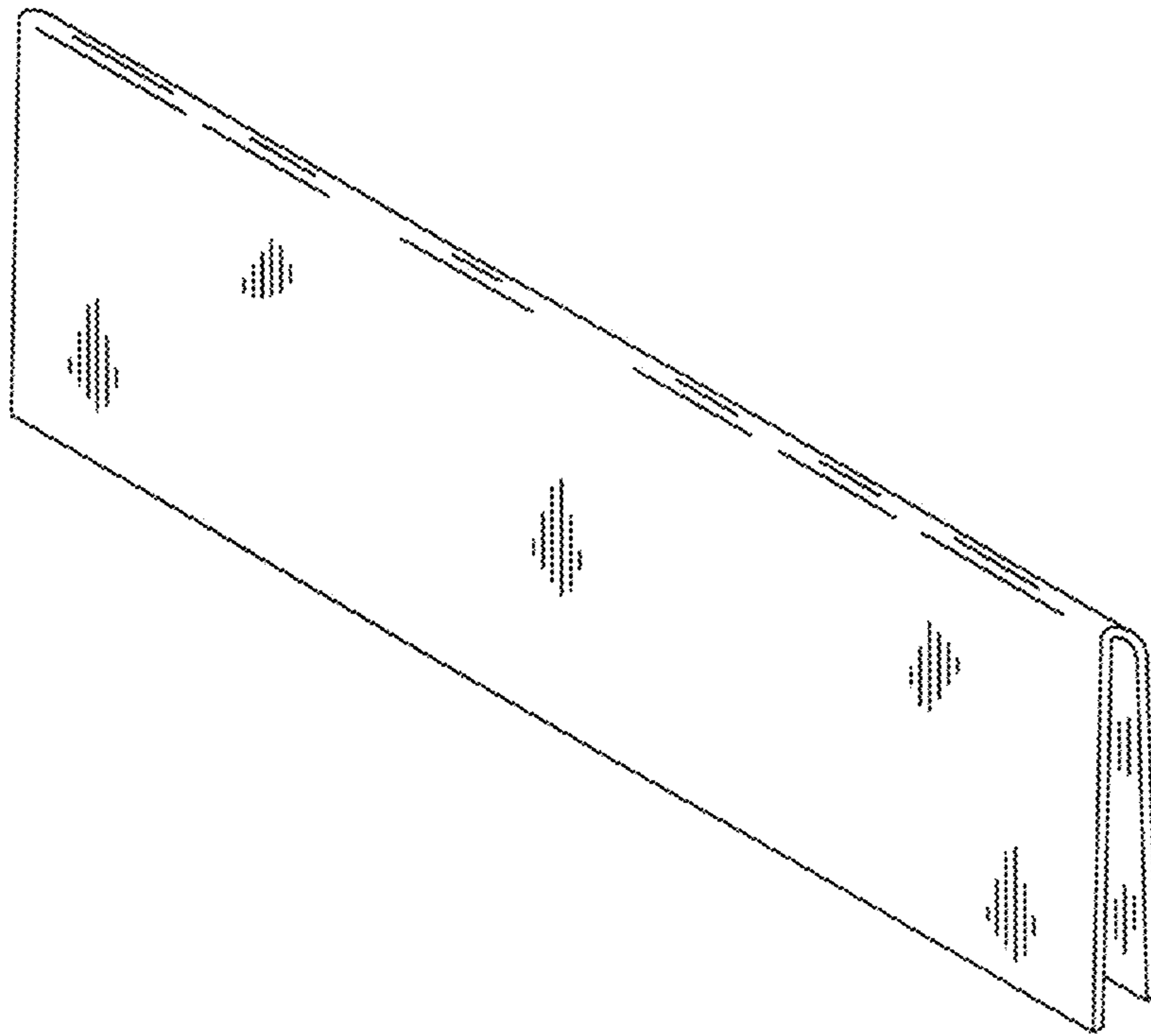


FIG. 3

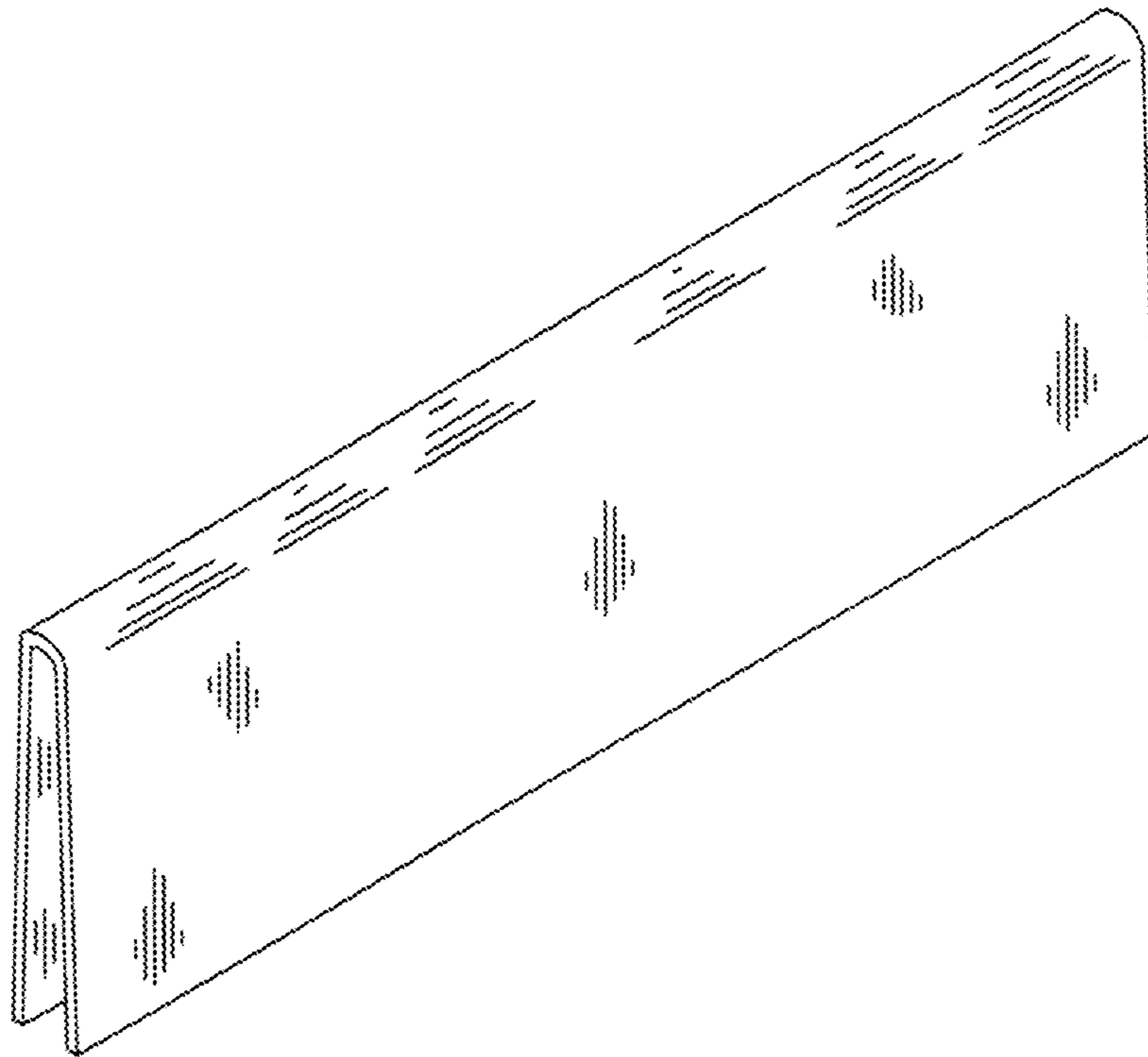


FIG. 4

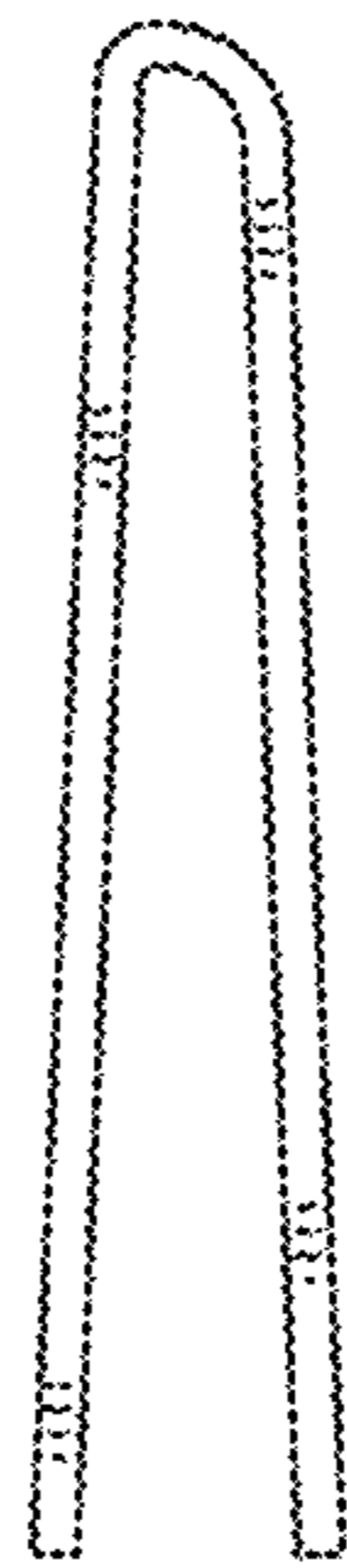


FIG. 5



FIG. 6

