

US00D893282S

(12) **United States Design Patent** (10) **Patent No.:** **US D893,282 S**  
**Riggs** (45) **Date of Patent:** **\*\* Aug. 18, 2020**

(54) **CAVITY WALL BARRIER**

FOREIGN PATENT DOCUMENTS

(71) Applicant: **Carbon Cut Holdings Limited**, Dorset (GB)

GB 2445223 A 7/2008  
GB 2479952 A 11/2011

(Continued)

(72) Inventor: **Christopher John Riggs**, Dorset (GB)

*Primary Examiner* — Keli L Hill

*Assistant Examiner* — Harold E Blackwell, II

(73) Assignee: **Carbon Cut Holdings Limited**, Dorset (GB)

(74) *Attorney, Agent, or Firm* — Fay Sharpe LLP

(\*\*) Term: **15 Years**

(57) **CLAIM**

The ornamental design for a cavity wall barrier, as shown and described.

(21) Appl. No.: **29/575,298**

**DESCRIPTION**

(22) Filed: **Aug. 24, 2016**

FIG. 1 is a left end view, showing the cavity wall barrier in a first position. In the first position, the right end view is identical;

(30) **Foreign Application Priority Data**

Jun. 14, 2016 (EM) ..... 003189455-0001

FIG. 2 is a left end view, showing the cavity wall barrier in a second position. In the second position, the right end view is identical;

(51) **LOC (12) Cl.** ..... **08-05**

FIG. 3 is a right side view, showing the cavity wall barrier in the second position. In the second position, the left side view is identical;

(52) **U.S. Cl.**

USPC ..... **D8/354**

FIG. 4 is a left end view, showing the cavity wall barrier in a third position. In the third position, the right end view is identical;

(58) **Field of Classification Search**

USPC ..... D8/14, 349, 354, 382, 385, 499;  
D21/839

FIG. 5 is a left end view, showing the cavity wall barrier in a fourth position. In the fourth position, the right end view is identical;

CPC ..... E04B 1/7061; E04B 1/4178; E04B 1/644;  
E04B 1/7038; E04B 1/7612; E04B  
1/7637; E04B 1/7675; E04B 2002/565

FIG. 6 is a top view, showing the cavity wall barrier in the fourth position; and,

See application file for complete search history.

FIG. 7 is a bottom view, showing the cavity wall barrier in the fourth position with the lower wings partially cut away to reveal the upper wings which lie on top of them.

(56) **References Cited**

U.S. PATENT DOCUMENTS

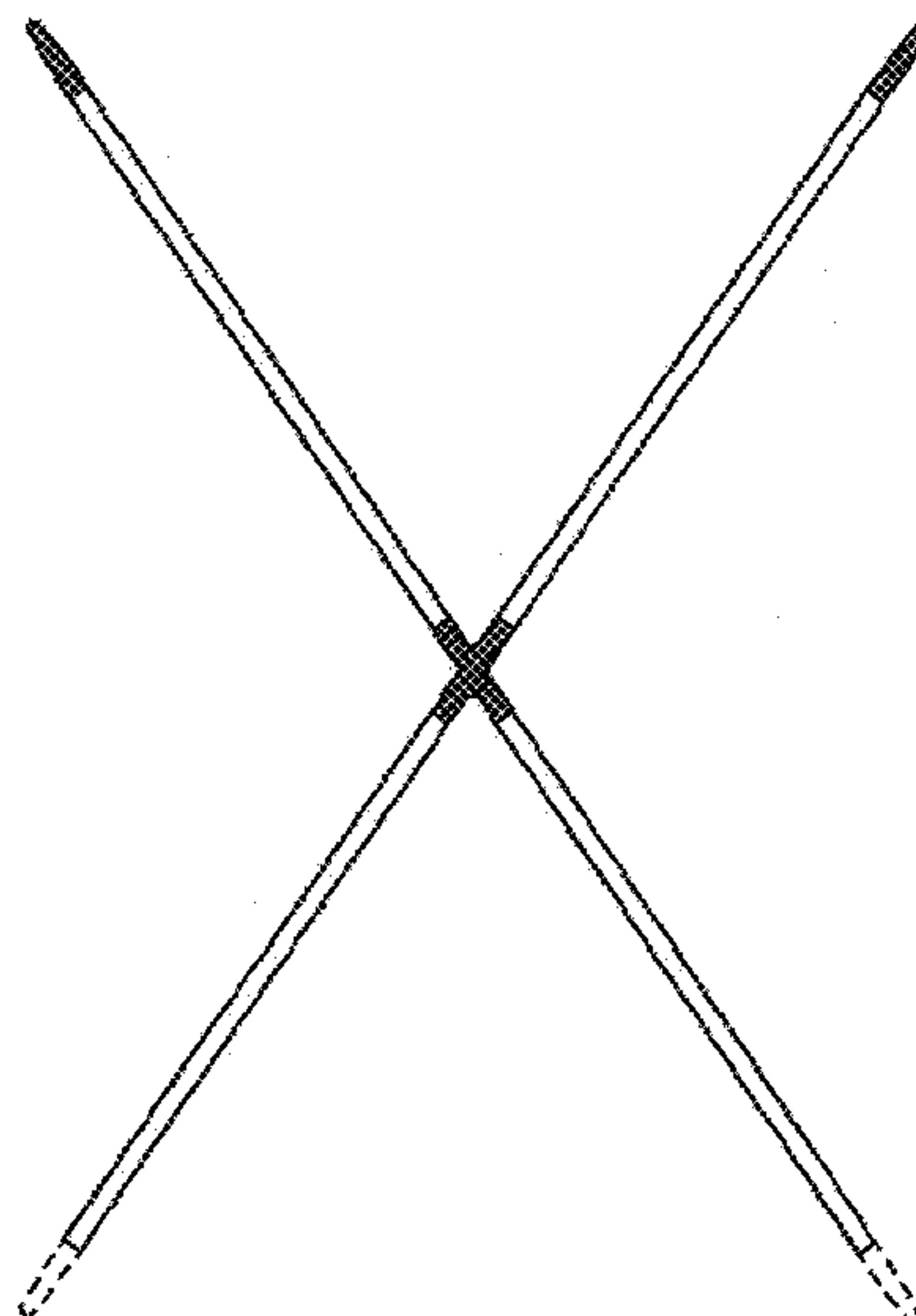
4,282,691 A \* 8/1981 Risdon ..... E04B 1/644  
52/101  
D717,156 S \* 11/2014 Kaihara ..... D8/354  
D765,491 S \* 9/2016 Jaycock ..... E04G 11/06  
D8/354  
D796,303 S \* 9/2017 Stultz ..... D8/354

The broken lines in the drawings illustrate portions of a cavity wall barrier which form no part of the claimed design.

The cavity wall barrier is shown with a symbolic break in its length. The appearance of any portion of the article between the break lines forms no part of the claimed design. The article is shown at a larger scale in FIGS. 1, 2, 4 and 5 than in FIGS. 3, 6 and 7.

(Continued)

**1 Claim, 7 Drawing Sheets**



(56)

**References Cited**

U.S. PATENT DOCUMENTS

D839,083 S \* 1/2019 Silva ..... D8/354  
10,309,122 B2 \* 6/2019 Jin ..... E04H 15/60  
10,415,234 B2 \* 9/2019 Riggs ..... E04B 1/7038  
2013/0263540 A1 \* 10/2013 Riggs ..... E04B 1/7038  
52/302.1  
2018/0058064 A1 \* 3/2018 Riggs ..... E04B 1/7038  
2019/0153745 A1 \* 5/2019 Hitch ..... E04H 15/48

FOREIGN PATENT DOCUMENTS

WO WO 2009/016338 A2 2/2009  
WO WO 2012/042193 A2 4/2012

\* cited by examiner

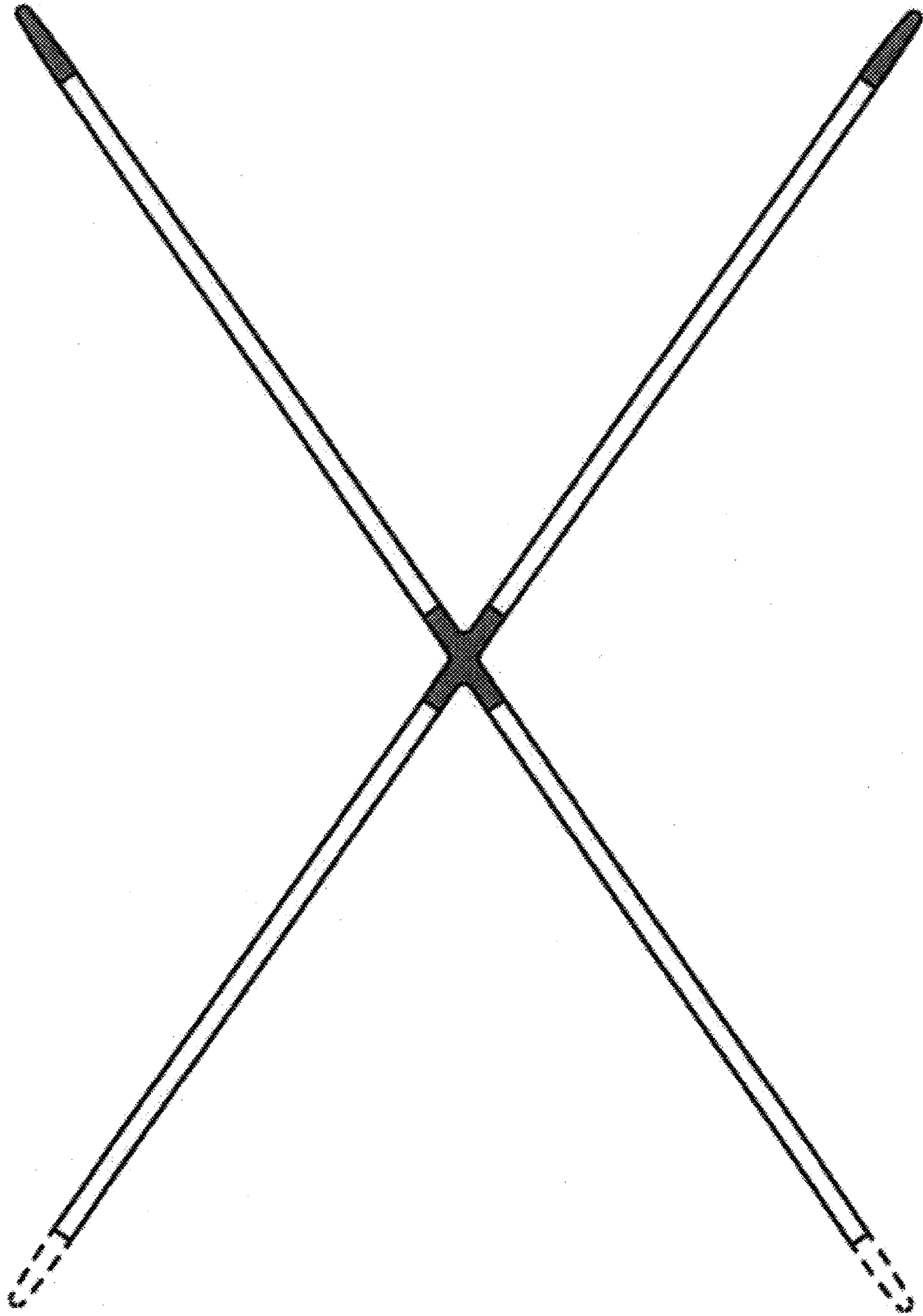


FIG. 1

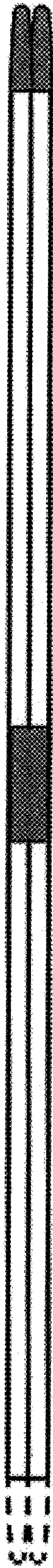


FIG. 2



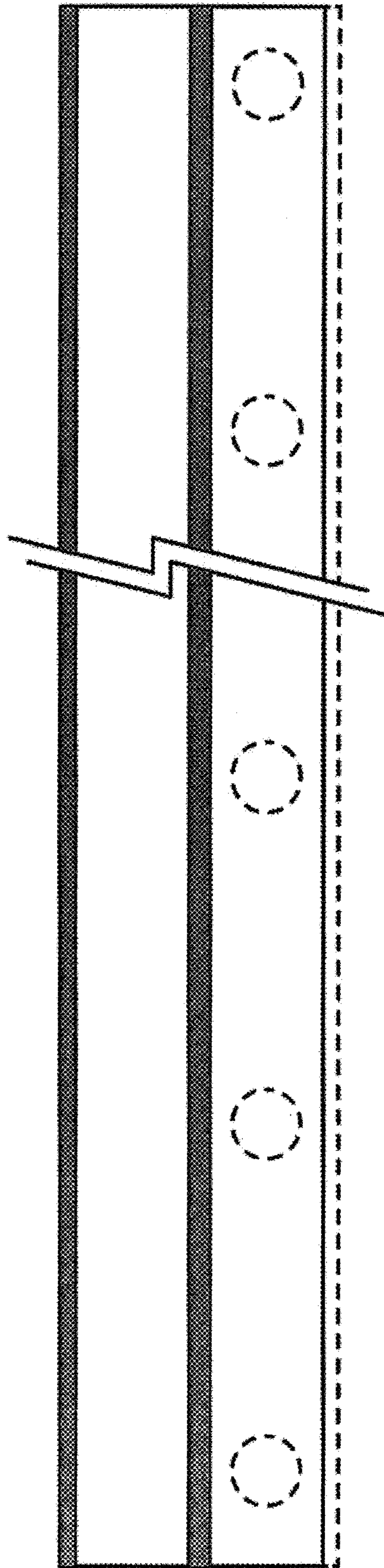


FIG. 3

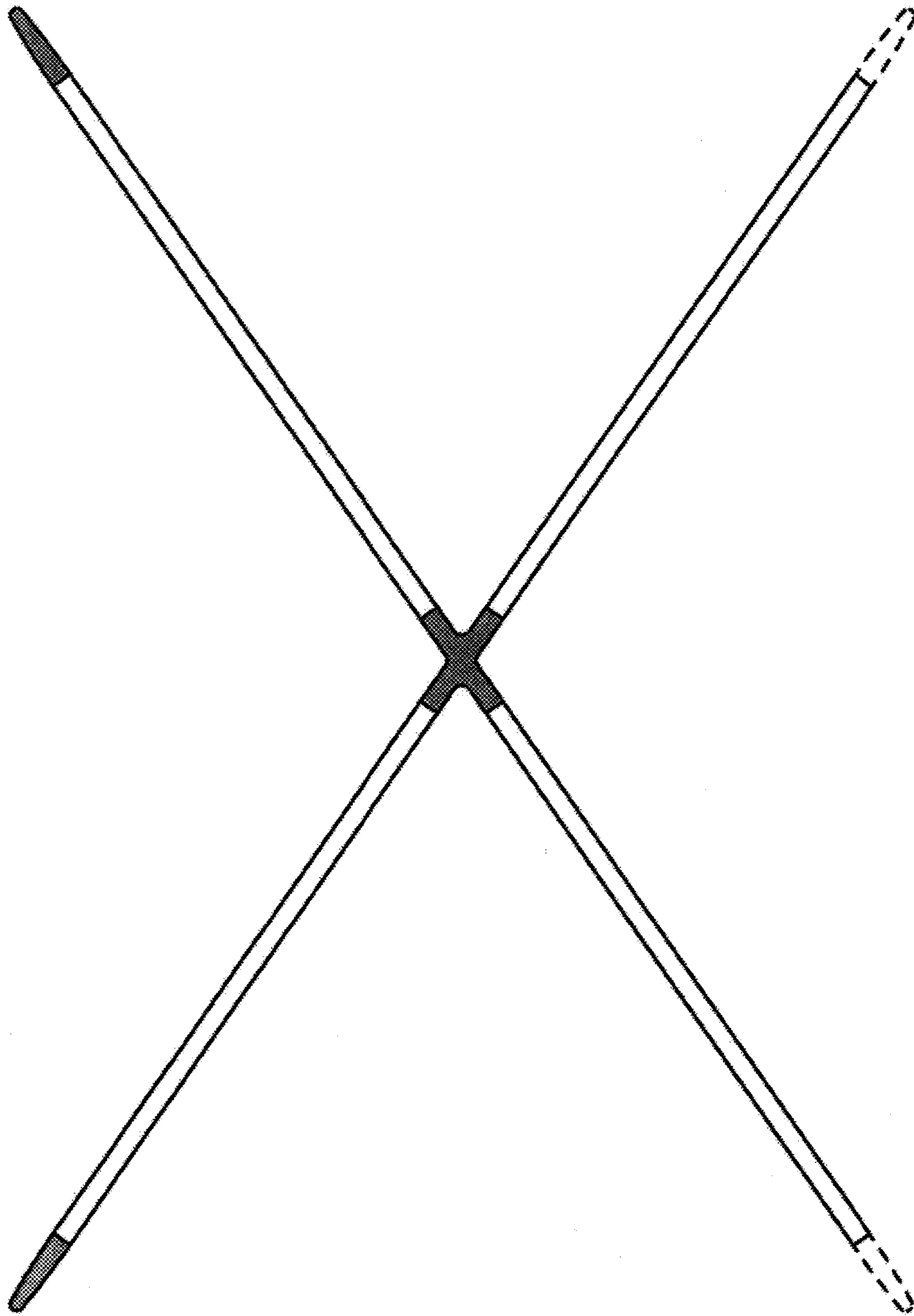


FIG. 4

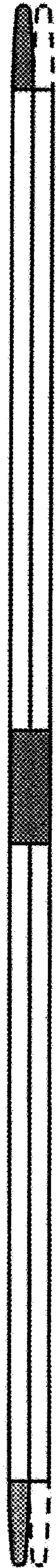


FIG. 5

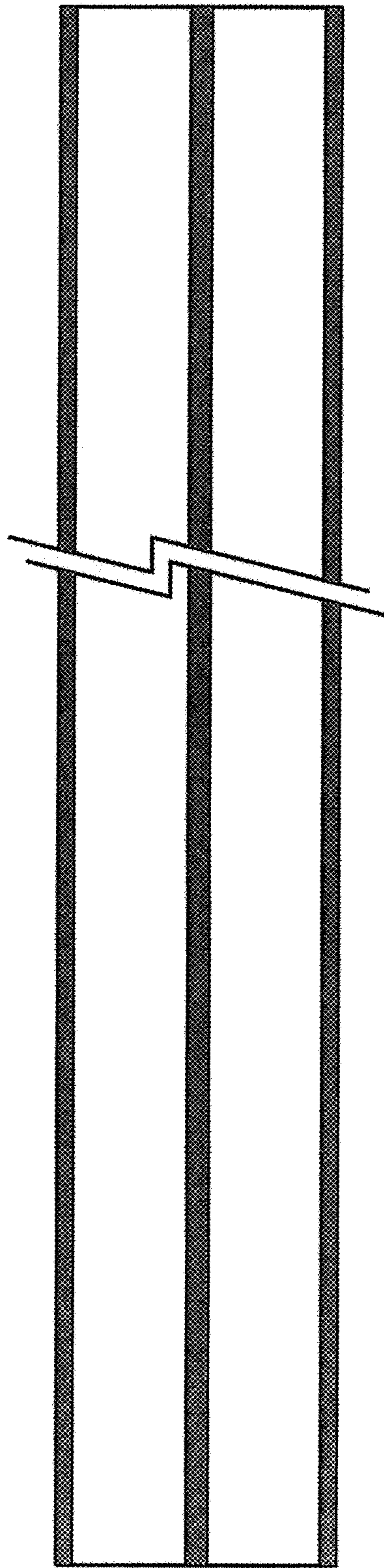


FIG. 6



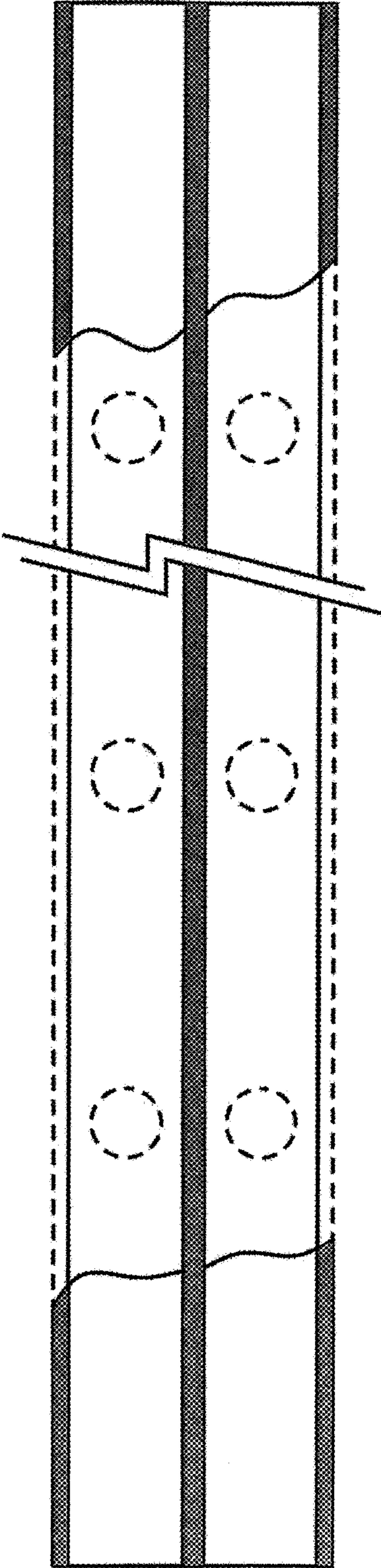


FIG. 7