



US00D893281S

(12) **United States Design Patent**  
**Bhanpurawala et al.**

(10) **Patent No.:** **US D893,281 S**

(45) **Date of Patent:** **\*\* Aug. 18, 2020**

(54) **LOCK DEVICE**  
(71) Applicant: **LOTO SAFETY PRODUCTS DMCC,**  
Dubai (AE)  
(72) Inventors: **Yusufi Fakhruddin Bhanpurawala,**  
Dubai (AE); **Lai Qiyang,** Dubai (AE);  
**Qaid Zohar Zakiuddin Shahpurwala,**  
Dubai (AE)  
(73) Assignee: **LOTO SAFETY PRODUCTS DMCC,**  
Dubai (AE)  
(\*\*) Term: **15 Years**  
(21) Appl. No.: **29/643,227**  
(22) Filed: **Apr. 5, 2018**

2,883,849 A \* 4/1959 Lorenzo ..... E05B 17/142  
70/427  
2,904,985 A \* 9/1959 Murphy ..... E05B 17/002  
70/38 B  
3,714,804 A \* 2/1973 French et al. .... E05B 17/142  
70/395  
3,740,981 A \* 6/1973 Patriquin ..... F16B 37/14  
439/142  
4,218,902 A \* 8/1980 Druschel ..... E05B 17/002  
70/55  
4,226,100 A \* 10/1980 Hampton ..... E05B 17/002  
70/51  
4,297,861 A \* 11/1981 Dykes ..... E05B 17/002  
70/455  
4,317,344 A \* 3/1982 Barnard ..... E05B 17/002  
70/55  
4,884,424 A \* 12/1989 Meyer ..... E05B 17/142  
70/427  
5,033,279 A \* 7/1991 Lebrecht ..... E05B 17/002  
70/55

(30) **Foreign Application Priority Data**

Oct. 6, 2017 (IN) ..... 298223  
Dec. 22, 2017 (IN) ..... 300644  
Feb. 14, 2018 (IN) ..... 302545  
Mar. 30, 2018 (IN) ..... 304199

(51) **LOC (12) Cl.** ..... **08-07**  
(52) **U.S. Cl.**  
USPC ..... **D8/334**  
(58) **Field of Classification Search**  
USPC ..... D8/330-335, 339, 343  
CPC ..... E05B 1/0007; E05B 9/00; E05B 17/00;  
E05B 47/0012; E05B 67/22; E05B  
2047/002; A45C 5/00; A45C 13/00; A45C  
13/002  
See application file for complete search history.

(56) **References Cited**

**U.S. PATENT DOCUMENTS**

1,369,506 A \* 2/1921 Voight ..... E05B 17/183  
70/455  
2,375,488 A \* 5/1945 Olson ..... E05B 17/002  
277/644

(Continued)

*Primary Examiner* — Steven J Czyz  
(74) *Attorney, Agent, or Firm* — Patterson Thuente  
Pedersen, PA

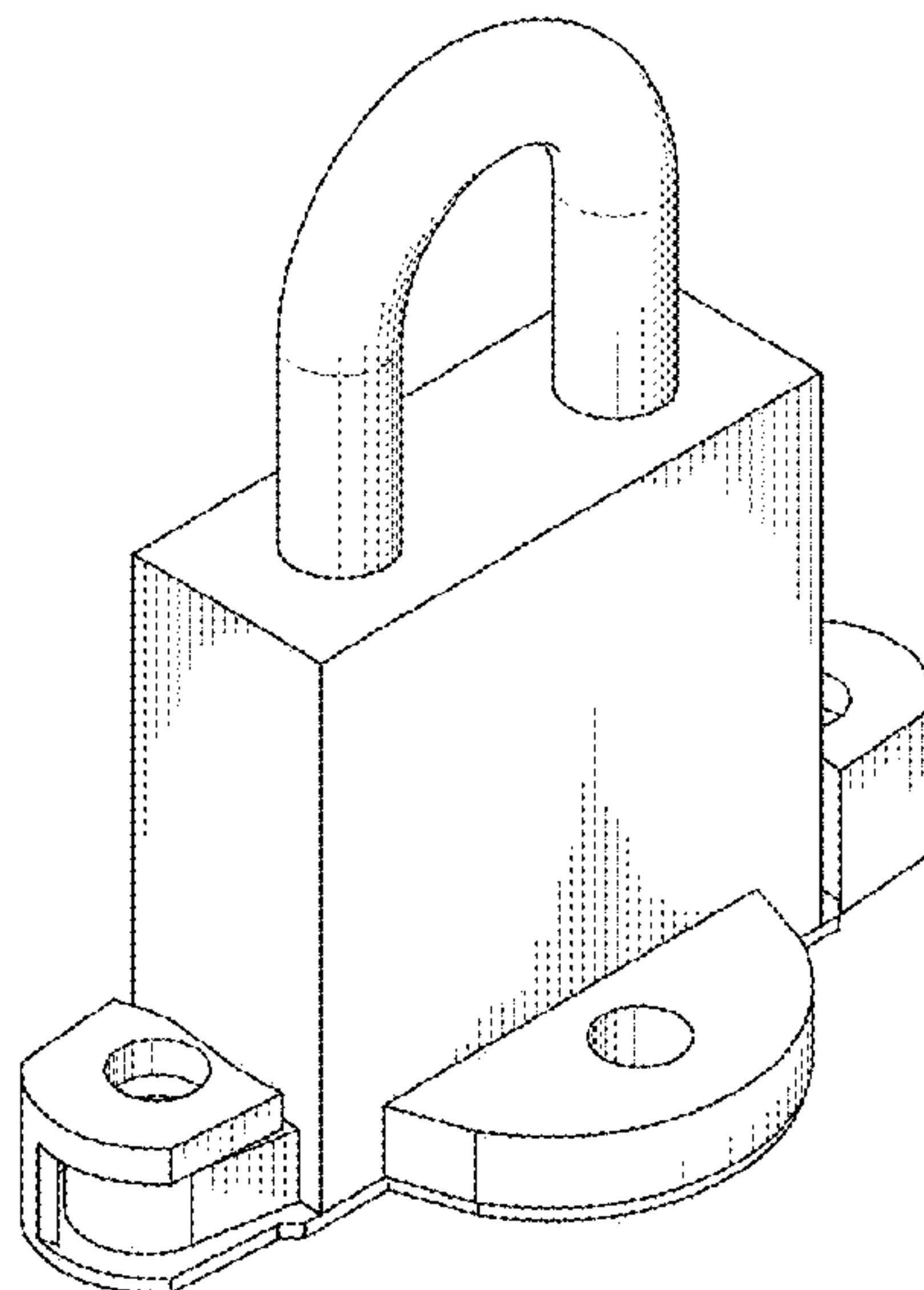
(57) **CLAIM**

The ornamental design for a lock device, as shown and described.

**DESCRIPTION**

FIG. 1 is a front perspective view of a lock device;  
FIG. 2 is a back perspective view thereof;  
FIG. 3 is a front view thereof;  
FIG. 4 is a rear view thereof;  
FIG. 5 is a top view thereof;  
FIG. 6 is a bottom view thereof;  
FIG. 7 is a right side view thereof; and,  
FIG. 8 is a left side view thereof.

**1 Claim, 8 Drawing Sheets**



(56)

References Cited

U.S. PATENT DOCUMENTS

5,156,029 A \* 10/1992 Heald ..... E05B 67/02  
 215/321  
 5,524,462 A \* 6/1996 Loughlin ..... E05B 67/00  
 292/307 R  
 5,582,042 A \* 12/1996 Mordick ..... E05B 67/383  
 70/14  
 5,761,935 A \* 6/1998 Adelmeyer ..... E05B 17/002  
 70/455  
 D416,467 S \* 11/1999 Castellanos ..... D8/334  
 D427,884 S \* 7/2000 Castellanos ..... D8/334  
 6,408,661 B1 \* 6/2002 Chen ..... E05B 67/36  
 70/226  
 6,467,316 B1 \* 10/2002 Chen ..... E05B 17/002  
 70/416  
 D470,746 S \* 2/2003 Gast ..... D8/346  
 D476,216 S \* 6/2003 Vito ..... D8/334  
 6,813,914 B2 \* 11/2004 Chen ..... E05B 17/002  
 70/423  
 D516,896 S \* 3/2006 Kearns ..... D8/334  
 D517,396 S \* 3/2006 Tarter ..... D8/334  
 D545,173 S \* 6/2007 Wasson ..... D8/333  
 D567,628 S \* 4/2008 Rohde ..... D8/333  
 7,581,423 B2 \* 9/2009 Brojanac ..... E05B 17/002  
 70/423  
 D605,494 S \* 12/2009 Plato ..... D8/334  
 D606,841 S \* 12/2009 Stevens ..... D8/331

D614,044 S \* 4/2010 Mouquet ..... D8/334  
 D636,252 S \* 4/2011 Wasson ..... D8/330  
 D637,888 S \* 5/2011 Zheng ..... D8/334  
 D638,279 S \* 5/2011 Plato ..... D8/334  
 D646,952 S \* 10/2011 Plato ..... D8/334  
 D662,394 S \* 6/2012 Schmidt ..... D8/334  
 D668,929 S \* 10/2012 Schmidt ..... D8/334  
 D678,751 S \* 3/2013 Schmidt ..... D8/334  
 8,408,609 B2 \* 4/2013 Brojanac ..... E05B 67/383  
 292/285  
 D683,611 S \* 6/2013 Walter ..... D8/334  
 D685,250 S \* 7/2013 Stevens ..... D8/334  
 D695,589 S \* 12/2013 Stevens ..... D8/334  
 D701,746 S \* 4/2014 Stevens ..... D8/334  
 D703,024 S \* 4/2014 Paulson ..... D8/334  
 9,032,764 B2 \* 5/2015 Yeh ..... E05B 65/00  
 70/14  
 D736,592 S \* 8/2015 Gengler ..... D8/334  
 D741,143 S \* 10/2015 Grainger ..... D8/334  
 D746,659 S \* 1/2016 Stevens ..... D8/334  
 9,273,490 B1 \* 3/2016 McNeil ..... E05B 17/00  
 D762,104 S \* 7/2016 Hyde ..... D8/334  
 9,556,651 B1 \* 1/2017 Cabral Herrera ... E05B 47/0012  
 9,631,398 B1 \* 4/2017 Liu ..... E05B 17/185  
 9,784,016 B1 \* 10/2017 Cabral Herrera ... E05B 47/0012  
 D813,645 S \* 3/2018 Nguyen ..... D8/334  
 D842,074 S \* 3/2019 Cabral Herrera ..... D8/331  
 2014/0366592 A1 \* 12/2014 Bao ..... E05B 37/10  
 70/25

\* cited by examiner

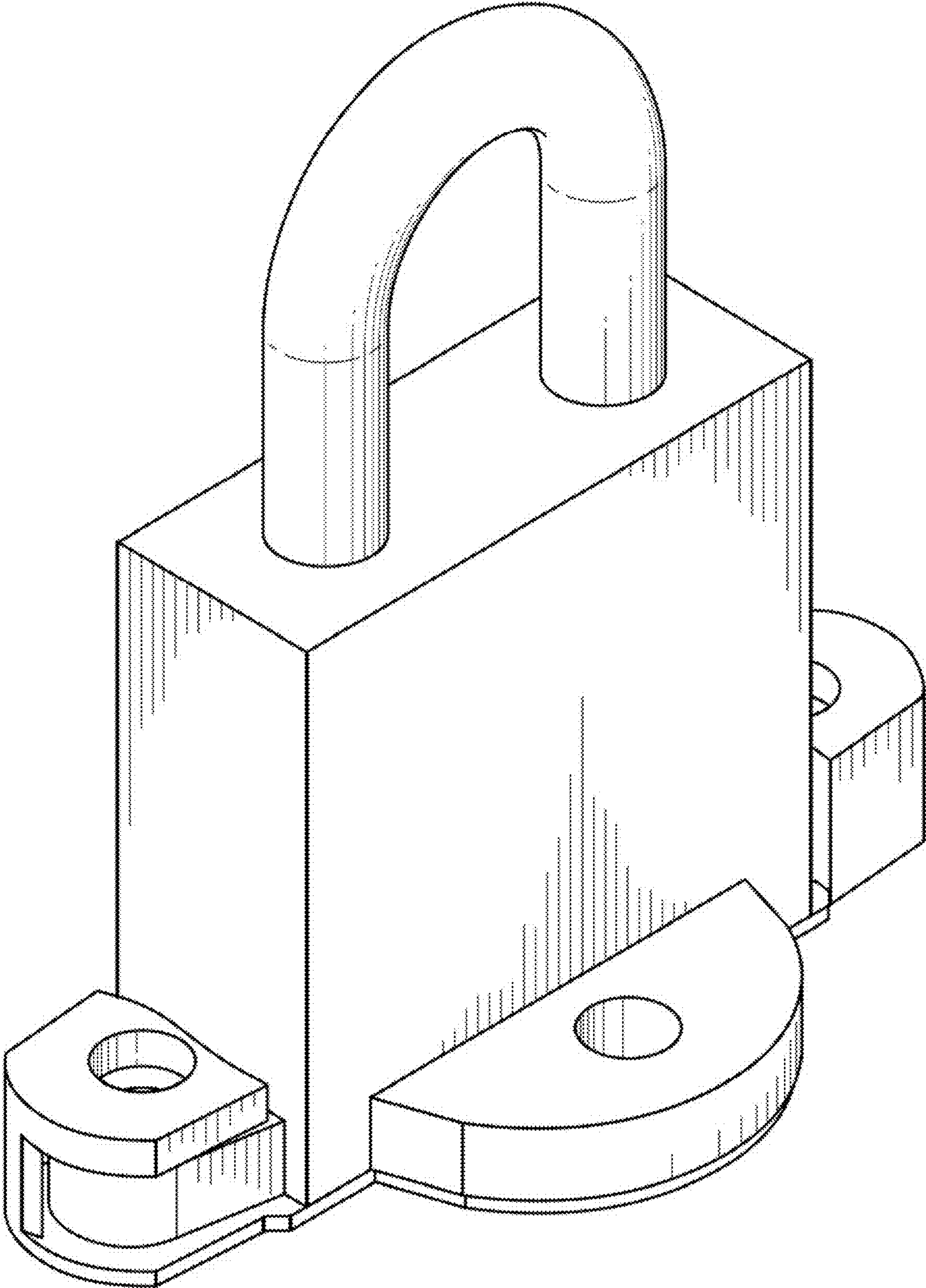


FIG. 1



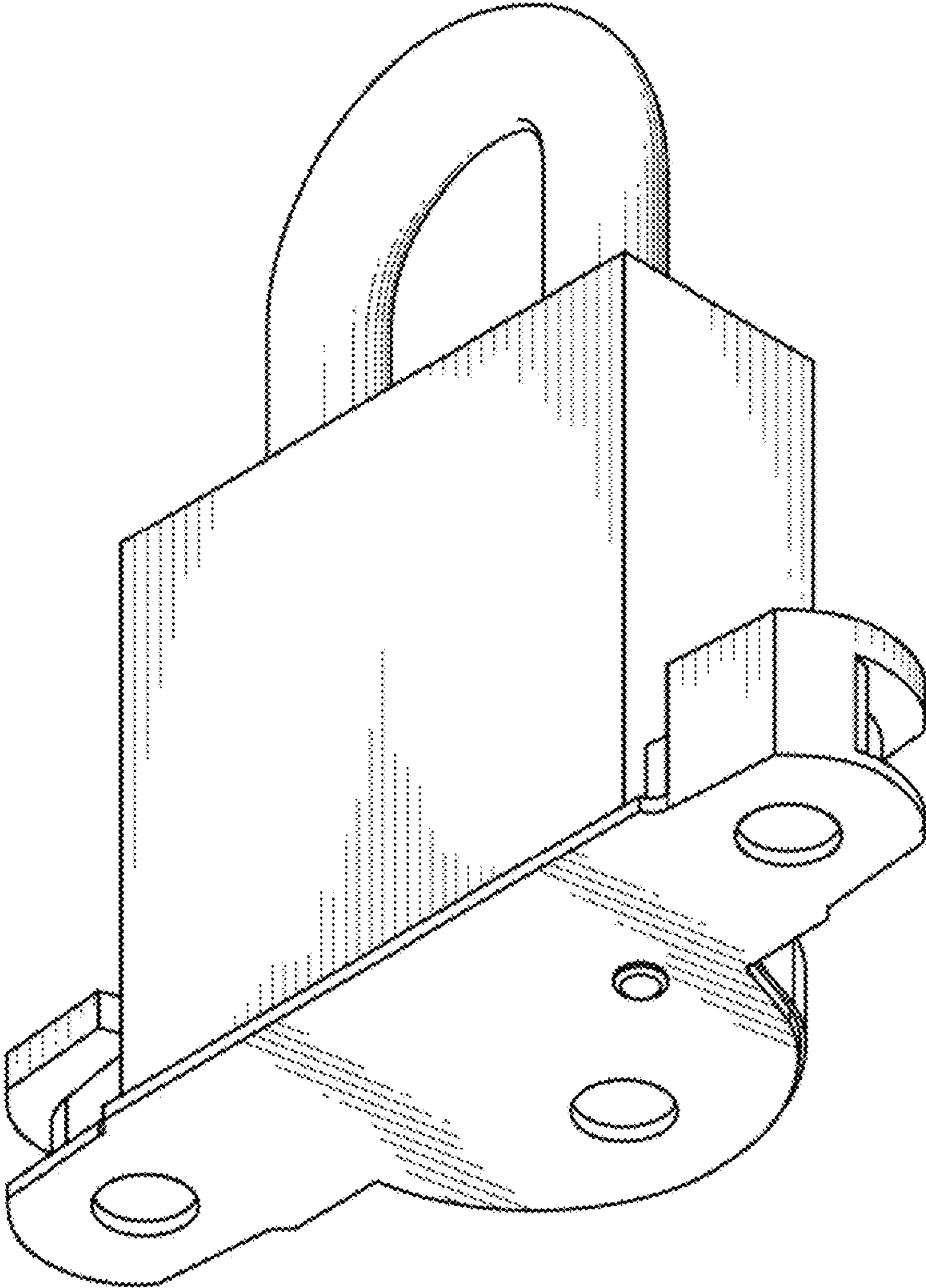


FIG. 2

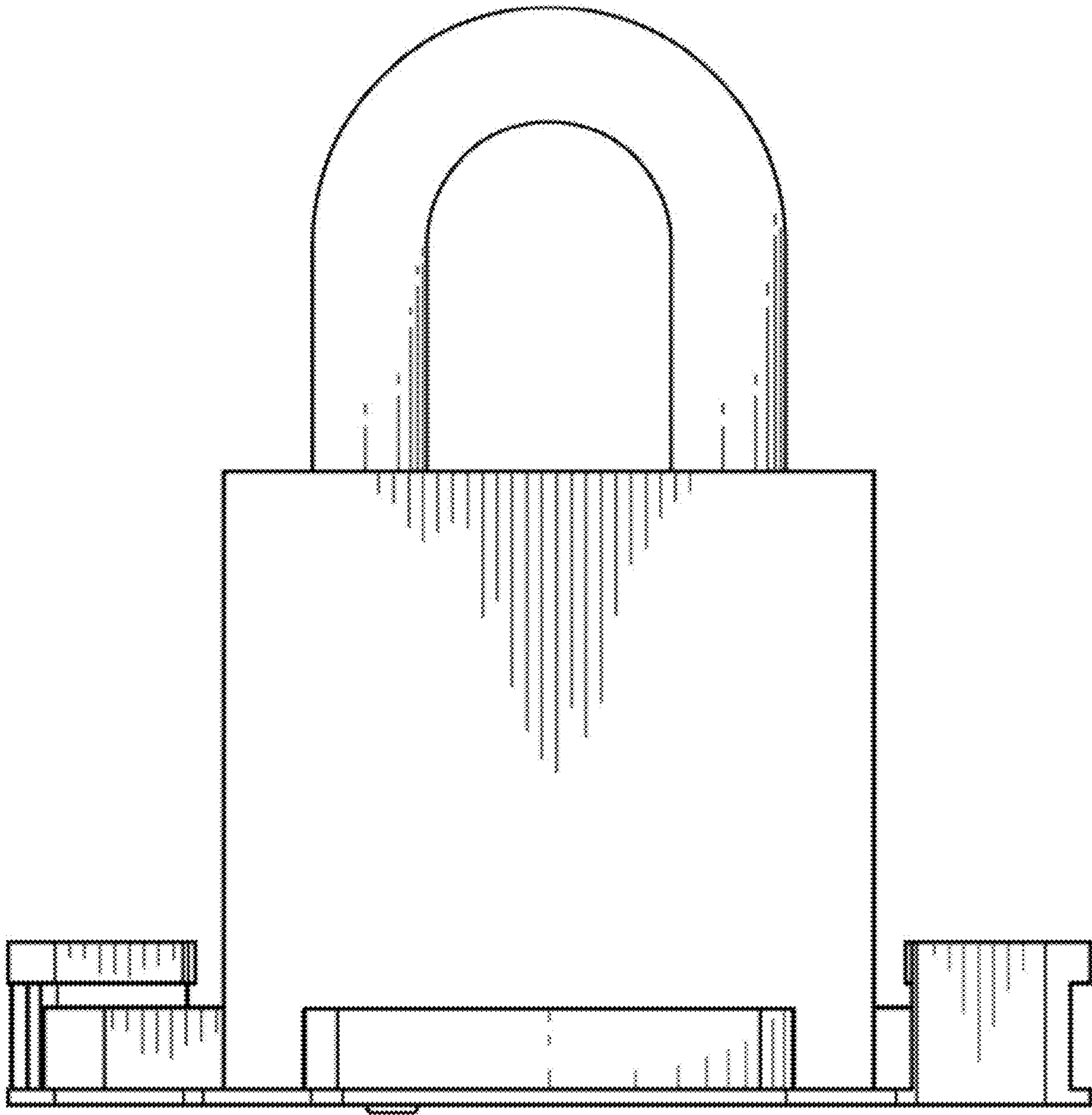


FIG. 3

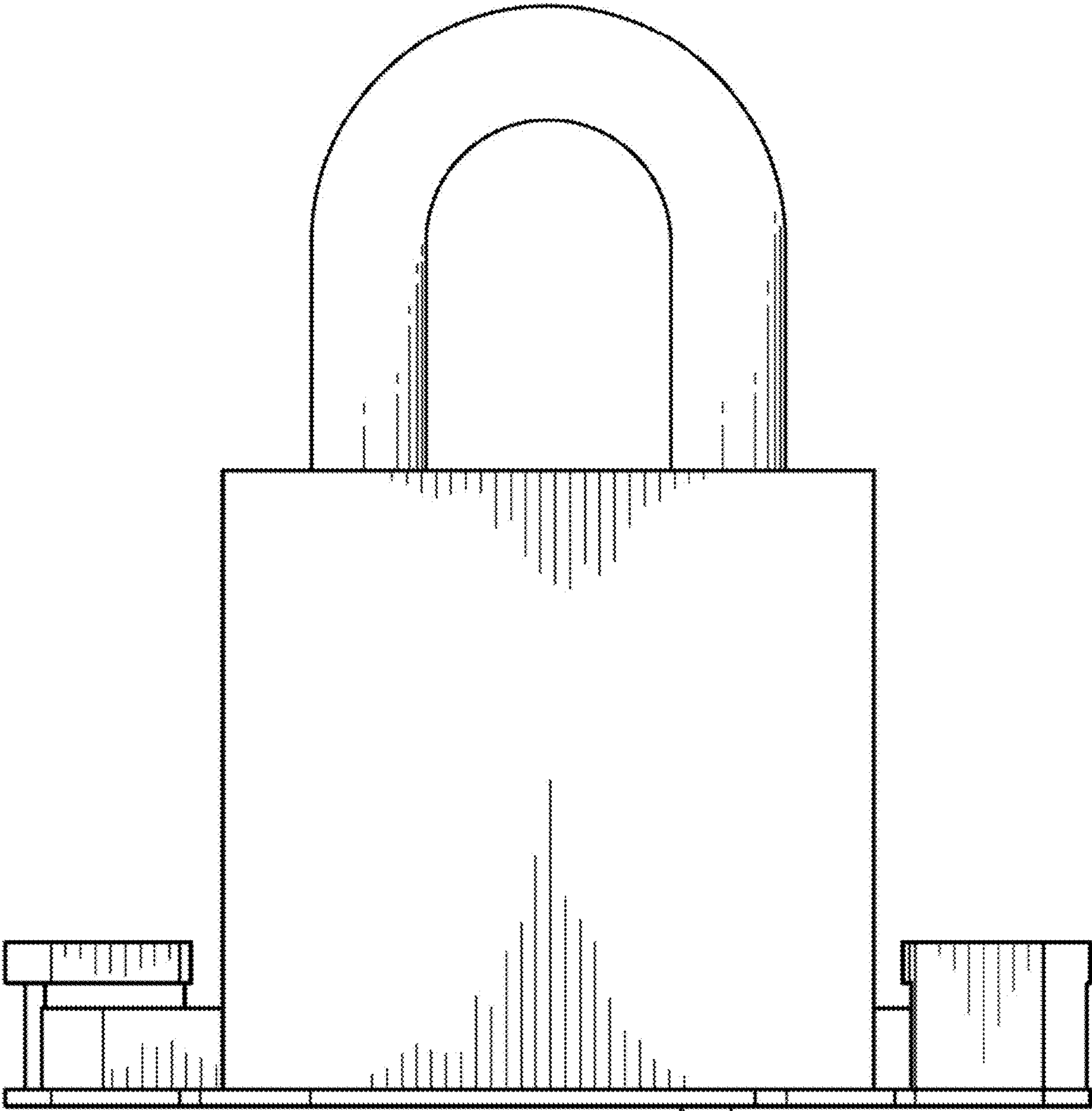


FIG. 4

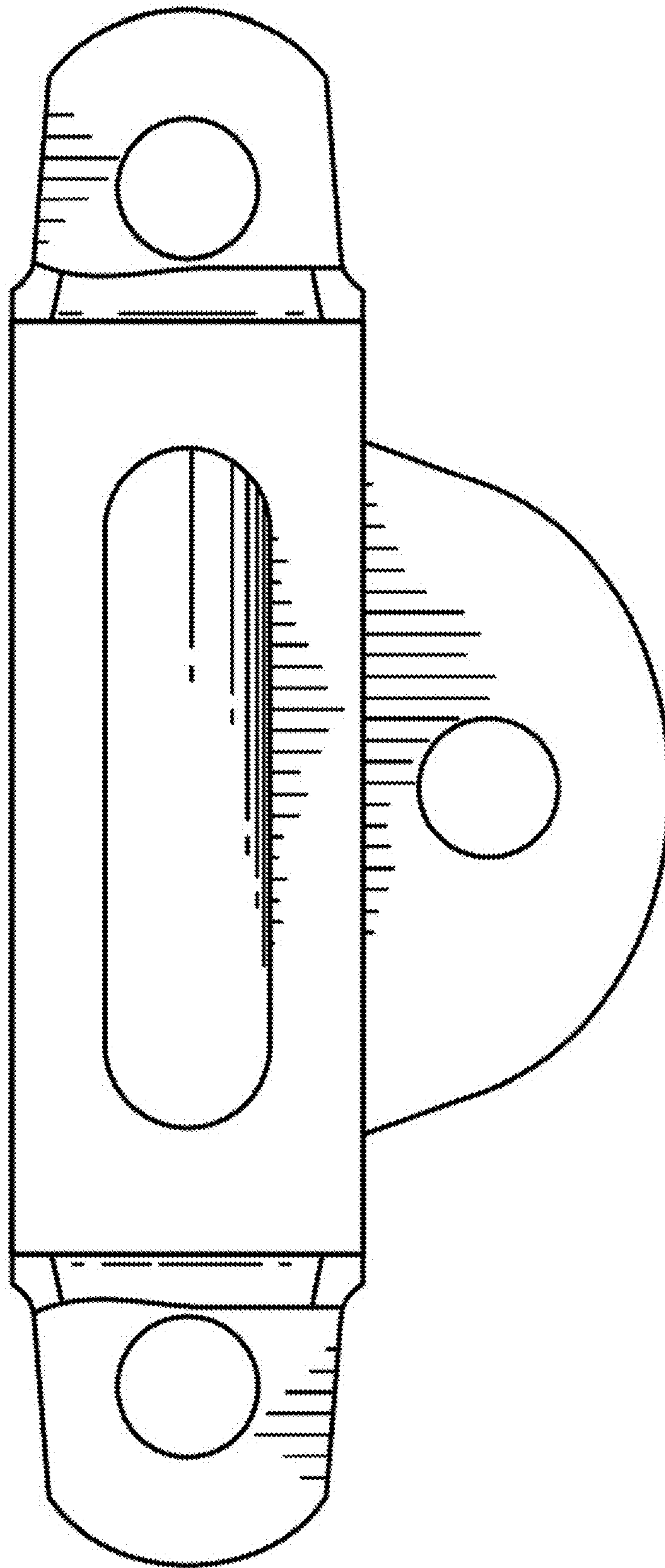


FIG. 5

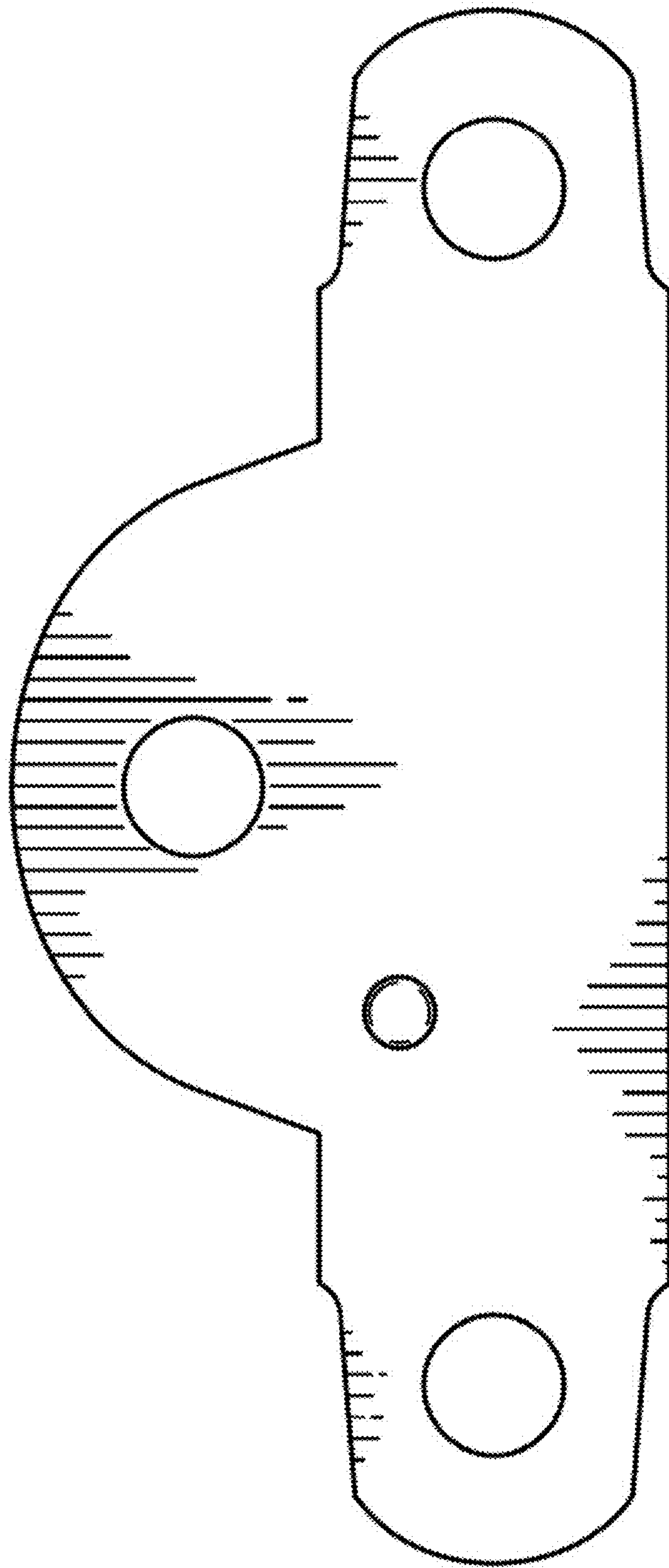


FIG. 6



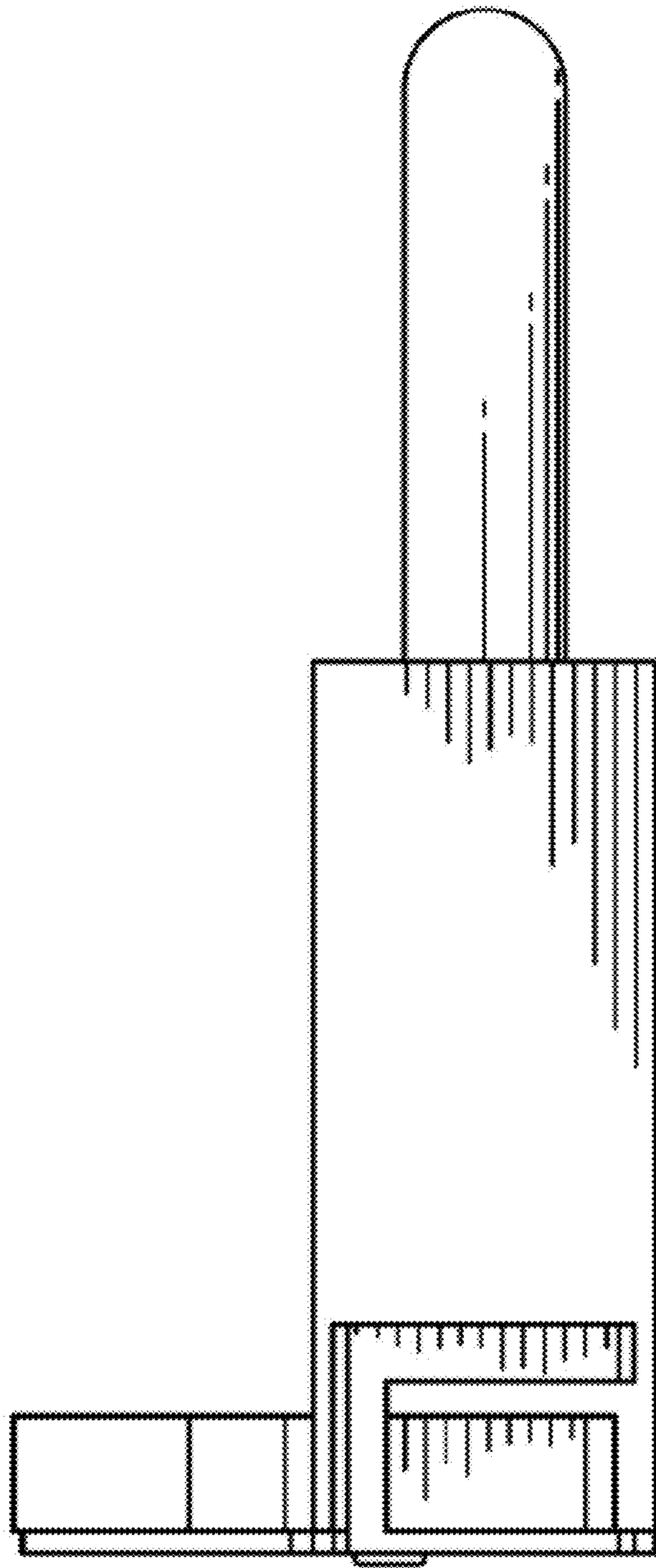


FIG. 7

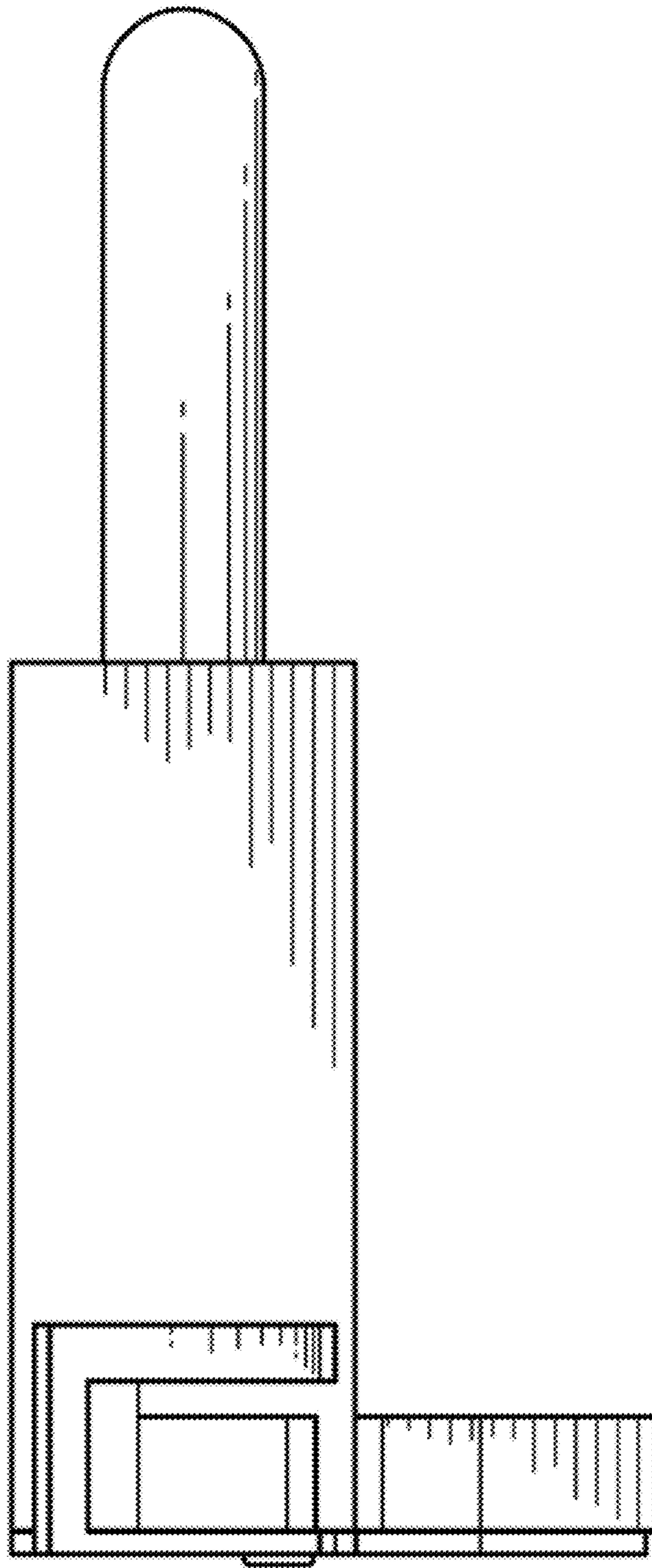


FIG. 8