

US00D893279S

(12) **United States Design Patent** (10) **Patent No.:** **US D893,279 S**
Smith (45) **Date of Patent:** **** Aug. 18, 2020**

(54) **WIRE SHEAR ANVIL TOOL**

(71) Applicant: **Dennis K. Smith**, Anderson, CA (US)

(72) Inventor: **Dennis K. Smith**, Anderson, CA (US)

(**) Term: **15 Years**

(21) Appl. No.: **29/691,362**

(22) Filed: **May 15, 2019**

Related U.S. Application Data

(63) Continuation of application No. 15/294,964, filed on Oct. 17, 2016, now abandoned.

(51) **LOC (12) Cl.** **08-03**

(52) **U.S. Cl.**
USPC **D8/98**; D8/51

(58) **Field of Classification Search**
USPC D8/14, 51, 60, 72, 73, 98
CPC B23D 15/04; B23D 15/12; B23D 29/00;
B23D 29/002; B23D 29/007; B23D
29/02; B23D 29/023; H02G 1/005
See application file for complete search history.

(56) **References Cited**

U.S. PATENT DOCUMENTS

1,419,789 A	6/1922	Webb	
2,165,209 A	7/1939	Baldanza	
2,202,125 A	5/1940	Temple, Jr.	
2,744,429 A	5/1956	Seely	
2,809,546 A	10/1957	Broske	
3,078,904 A	2/1963	Bishop et al.	
3,260,098 A	7/1966	Gill	
3,266,287 A	8/1966	Gill	
3,267,573 A	8/1966	Hill	
3,316,744 A	5/1967	Spangler	
3,848,334 A *	11/1974	Mattera	B21F 11/00 30/180
4,026,028 A	5/1977	Green	
4,117,711 A	10/1978	Medcraft	
4,192,171 A	3/1980	Hamilton	
4,198,748 A	4/1980	Lewis	

4,459,839 A	7/1984	Cochran et al.	
4,655,064 A	4/1987	Hoback	
4,833,875 A	5/1989	Buermann, Jr. et al.	
5,203,083 A *	4/1993	Domonoske	B23D 21/10 30/162
D344,226 S *	2/1994	Glynn	D8/73
D378,343 S *	3/1997	Macor	D8/73

(Continued)

FOREIGN PATENT DOCUMENTS

DE 948663 C 9/1956

OTHER PUBLICATIONS

NOCO D800 Blue Hammer Indent Crimping Tool by NOCO, <http://www.amazon.com>, Jan. 10, 2012.

(Continued)

Primary Examiner — Philip S Hyder
(74) *Attorney, Agent, or Firm* — Breiner & Breiner, L.L.C.

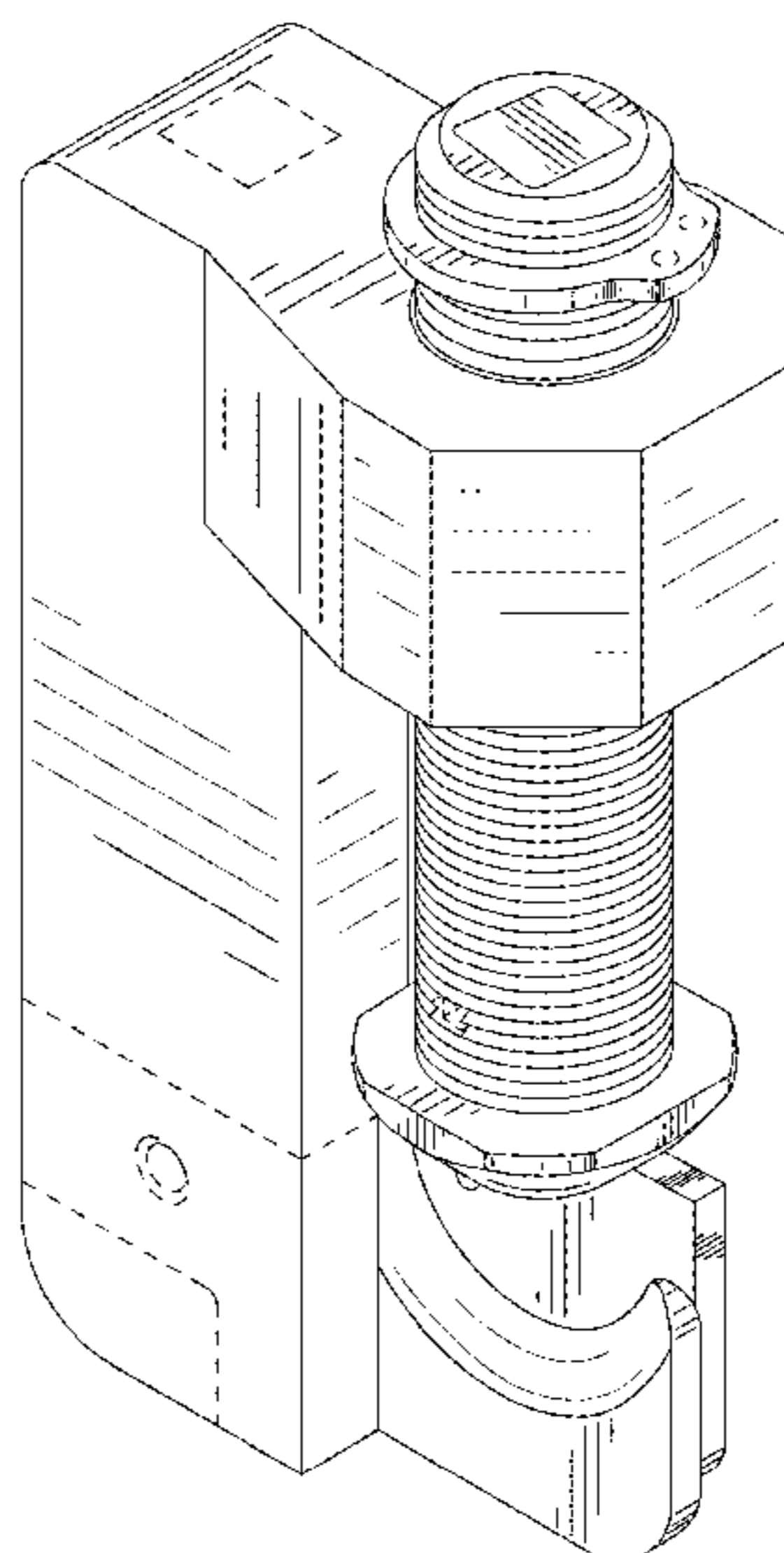
(57) **CLAIM**

The ornamental design for a wire shear anvil tool, as shown and described.

DESCRIPTION

FIG. 1 is a front perspective view of a wire shear anvil tool, showing the new design in a closed position; FIG. 2 is a front perspective view thereof, showing the tool in an open position; FIG. 3 is a left side elevation view thereof; FIG. 4 is a rear elevation view thereof; FIG. 5 is a right side elevation view thereof; FIG. 6 is a bottom perspective view thereof; and, FIG. 7 is a top plan view thereof. The broken lines depict aspects of the wire shear anvil tool in which the design is embodied that are not considered part of the claimed design.

1 Claim, 4 Drawing Sheets



(56)

References Cited

U.S. PATENT DOCUMENTS

5,711,078 A 1/1998 Patton
D491,779 S * 6/2004 Guiette, III D8/51
7,305,749 B2 12/2007 Kramer
9,231,360 B2 1/2016 Smith
9,884,429 B2 * 2/2018 Payne B26B 3/00

OTHER PUBLICATIONS

EZ Red B790C Hammer Indent Crimping Tool, Toolsource Item No. 110665, <http://www.toolsource.com>.

Stride Tool Imperial BS104 Battery Terminal Lug Crimper, <http://www.skygeek.com>.

Greenlee (a Textron company) L Series Battery-Powered 4-Ton Crimping Tool, Item No. GL-EK41012, <http://www.cableorganizer.com>.

Copper Lug Crimping Tool, Item No. 990065, <http://www.delcity.net>.

Heavy Duty Crimping Tool, EZ Red Company, Item No. B795, <http://www.ezred.com/Product-Pages/B795.htm>.

EZ Red B794 Crimping Tool, Bench Mount 25 in., Item No. EZB794, <http://www.autotoolworld.com>.

BURNDY Cable Cutter, 14-1/2" Overall Length, Center Cut Cutting Action, Primary Application: Electrical Cable, Item No. 22P214, Mfr. Model No. PATCUT129ACSR18V, <https://www.grainger.com>.

Ideal PowerBlade Drill Powered Cable Cutter, Model No. 35-078, Internet No. 300061372, <http://www.homedepot.com>.

DEWALT 20-Volt MAX Lithium-Ion Cordless Cable Cutting Tool (Tool Only), Model No. DCE150B, Internet No. 207069002, <http://homedepot.com>.

LOCOLOC 6T Battery Swaging Tool 22" With LED Worklights, (2) TBP-80 Lithium Ion Batteries, Charger and Case, Item No. 621-HC-5010-R, <http://www.riggingwarehouse.com>.

* cited by examiner

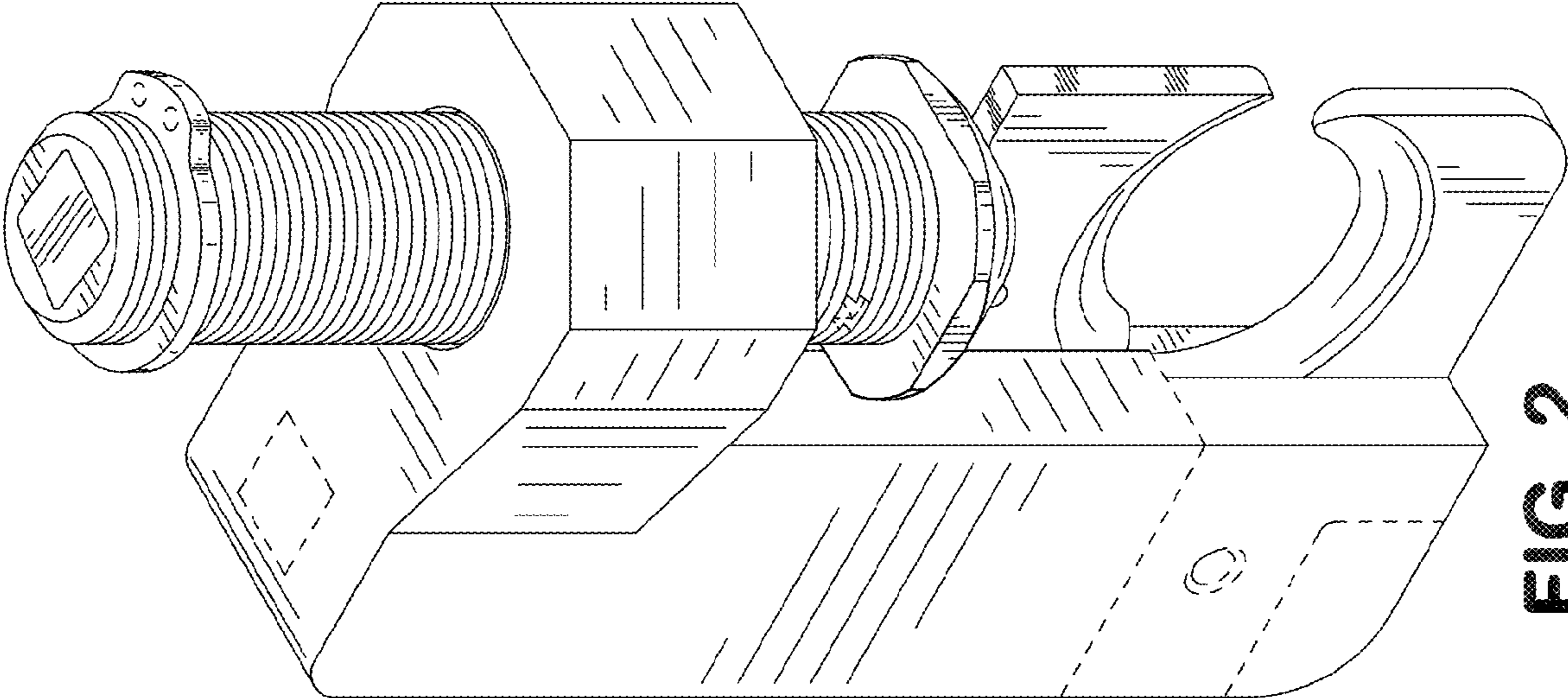


FIG. 2

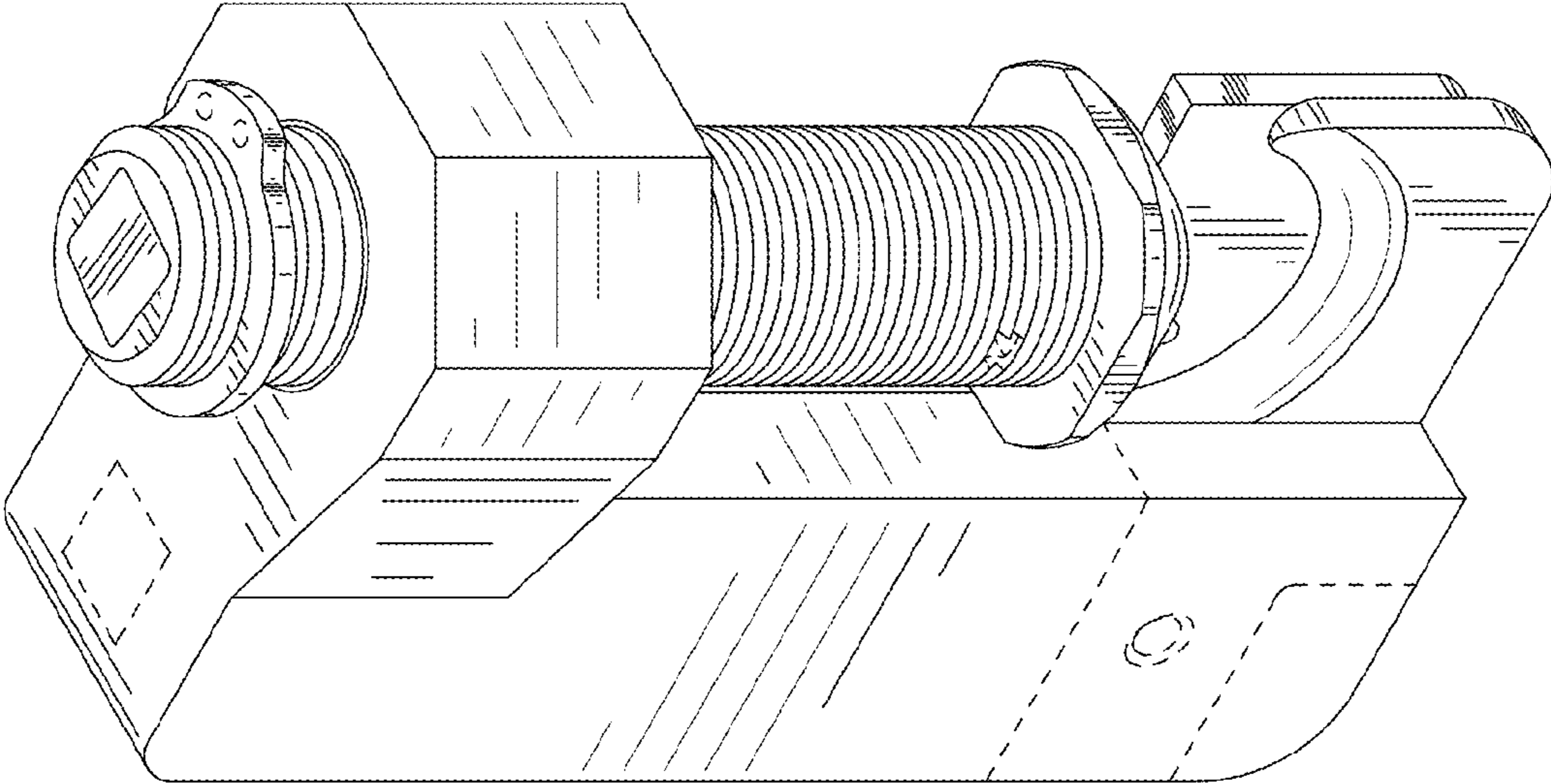


FIG. 1

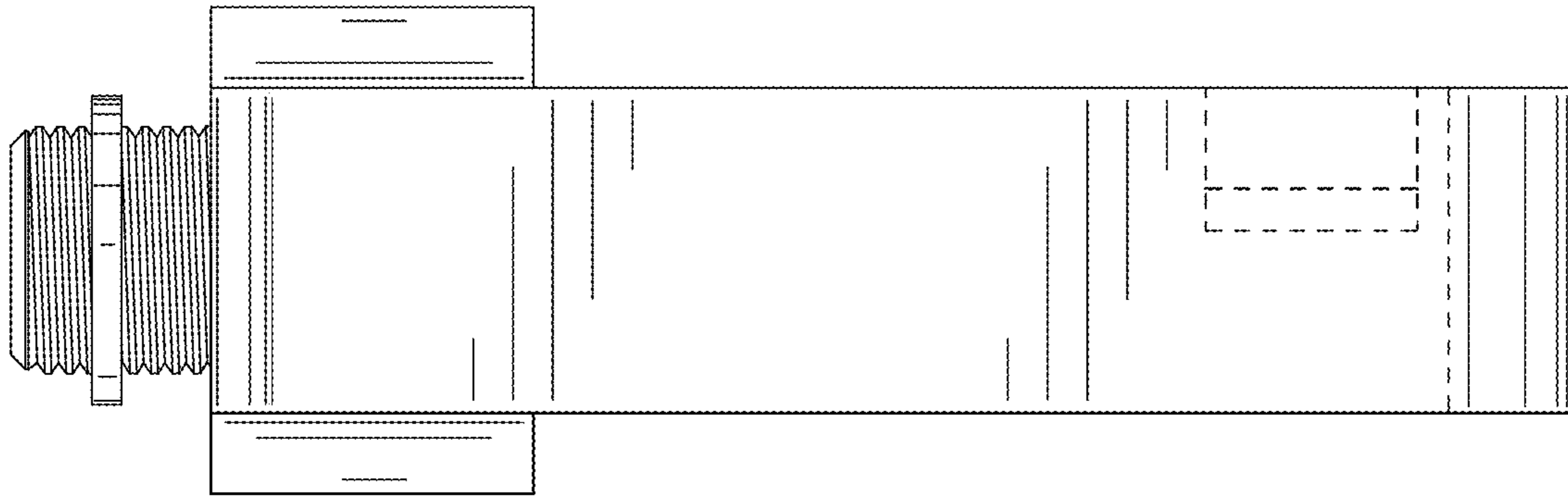


FIG. 4

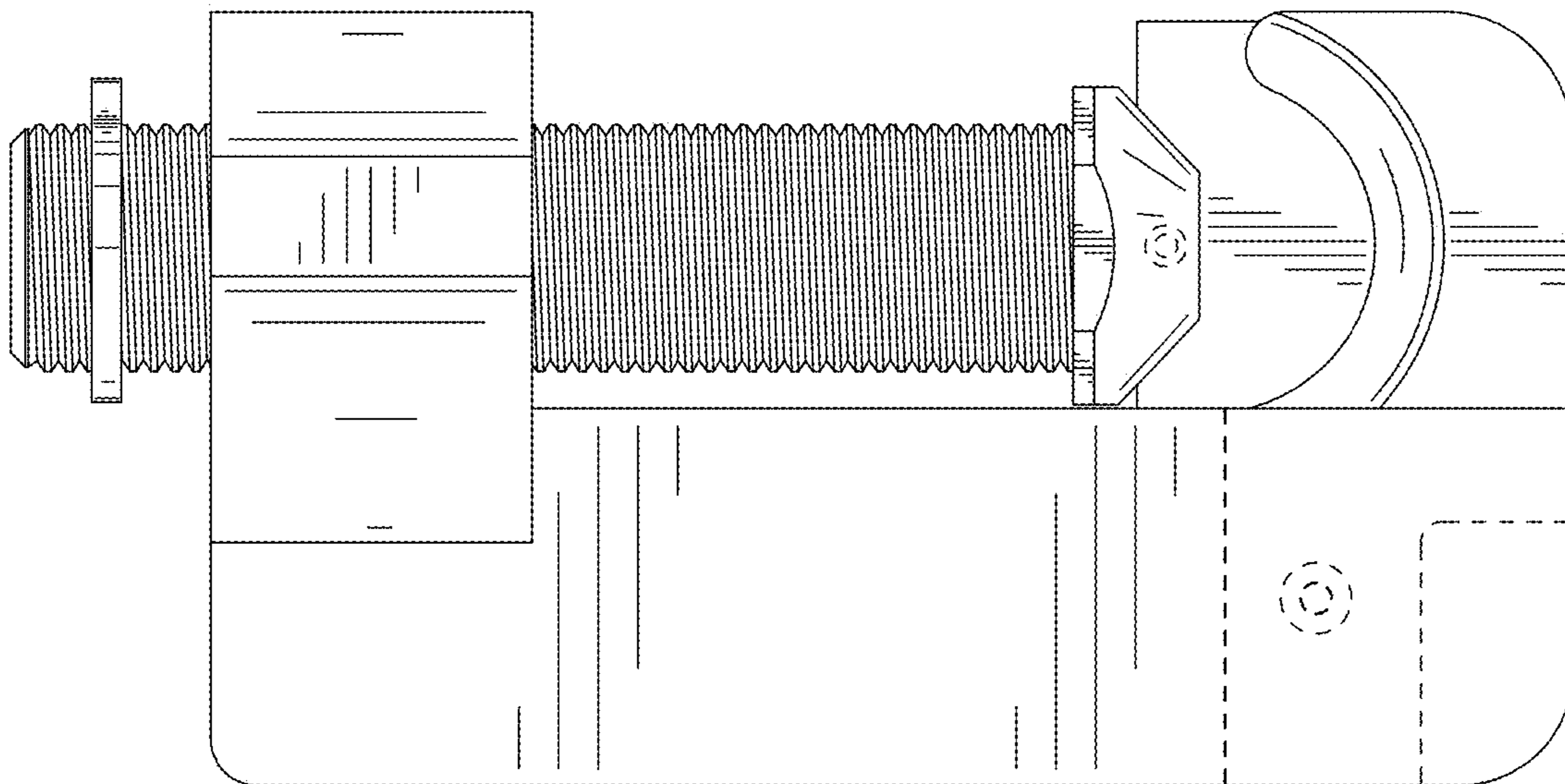


FIG. 3

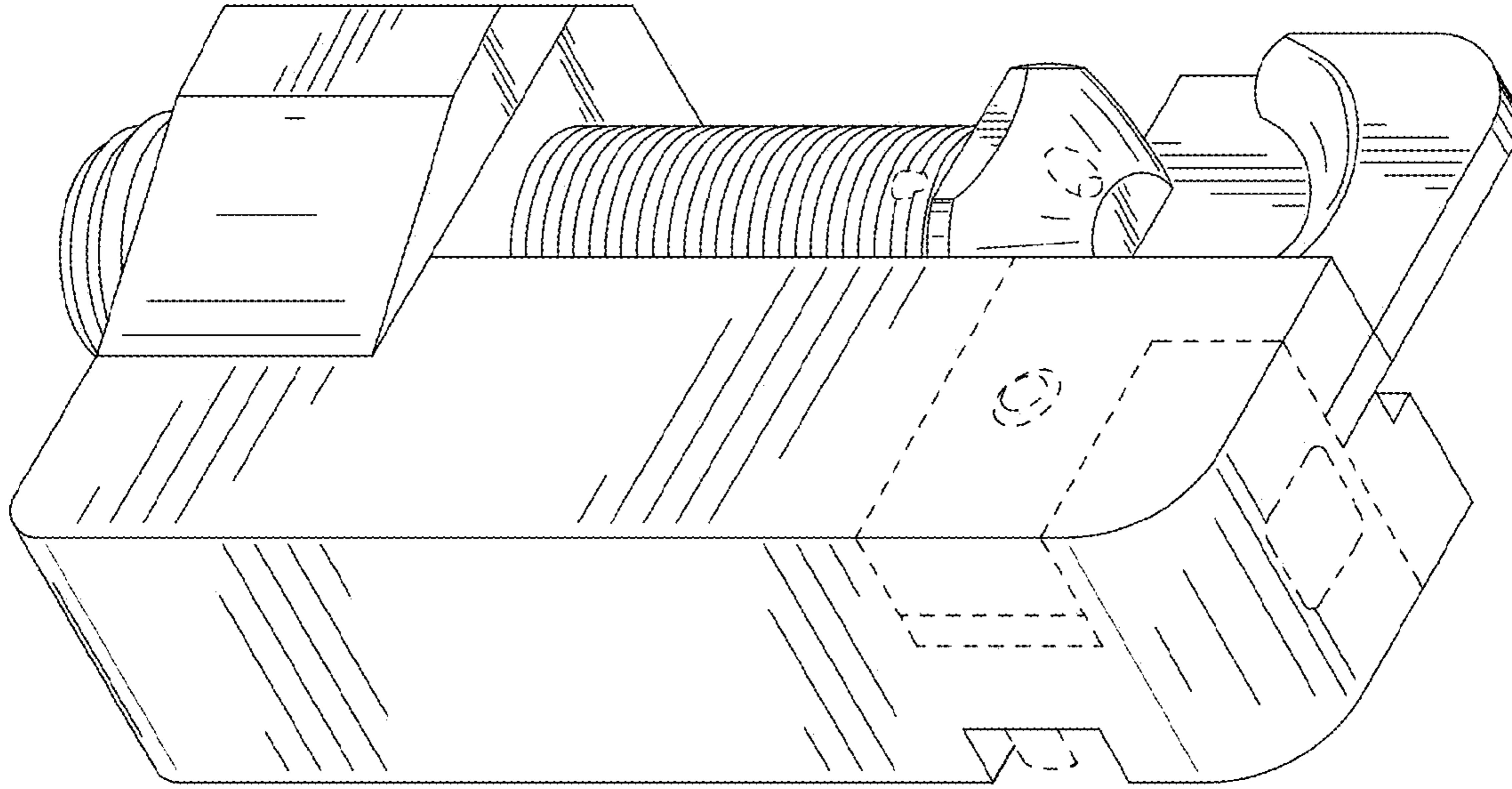


FIG. 6

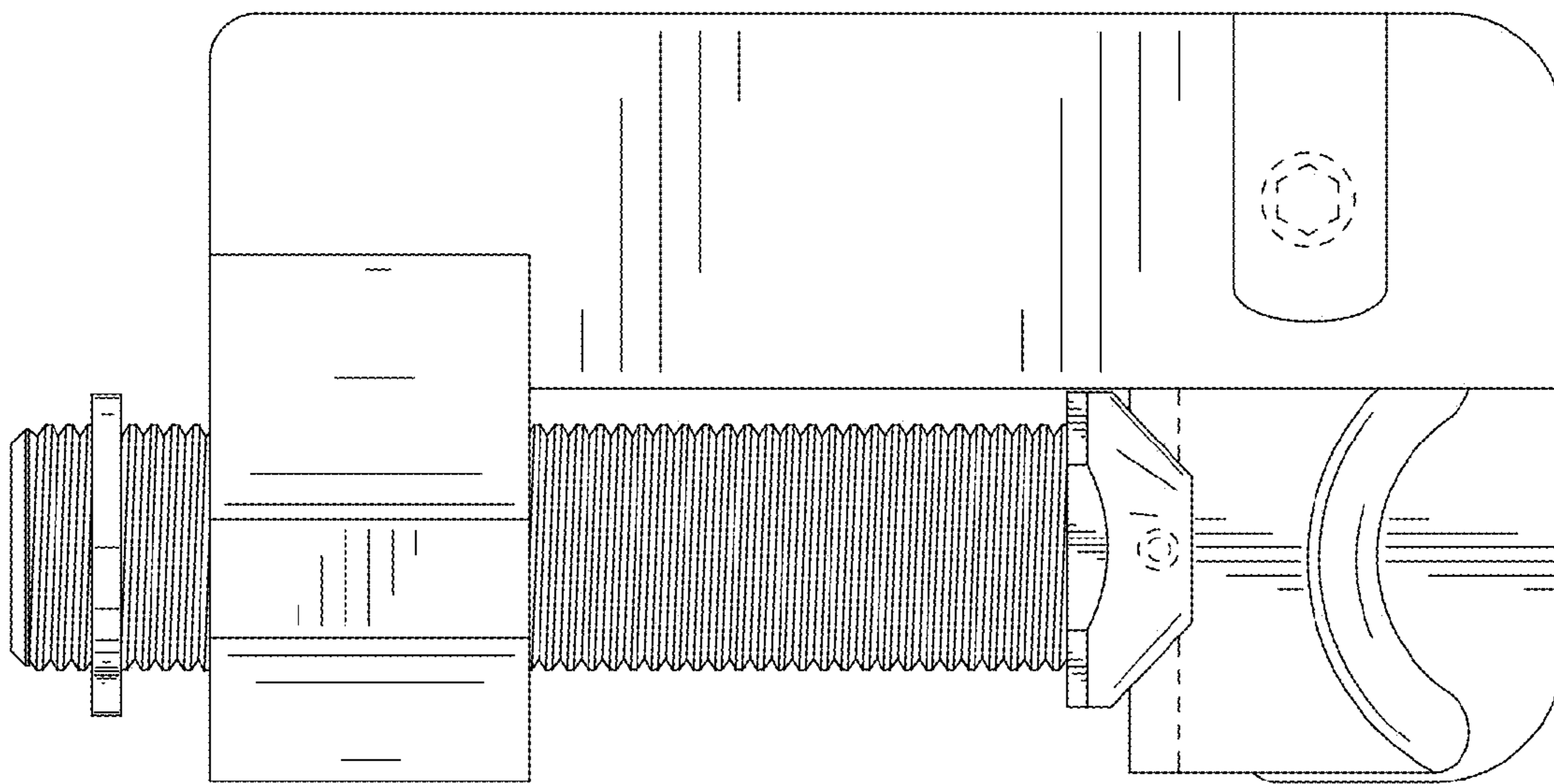


FIG. 5

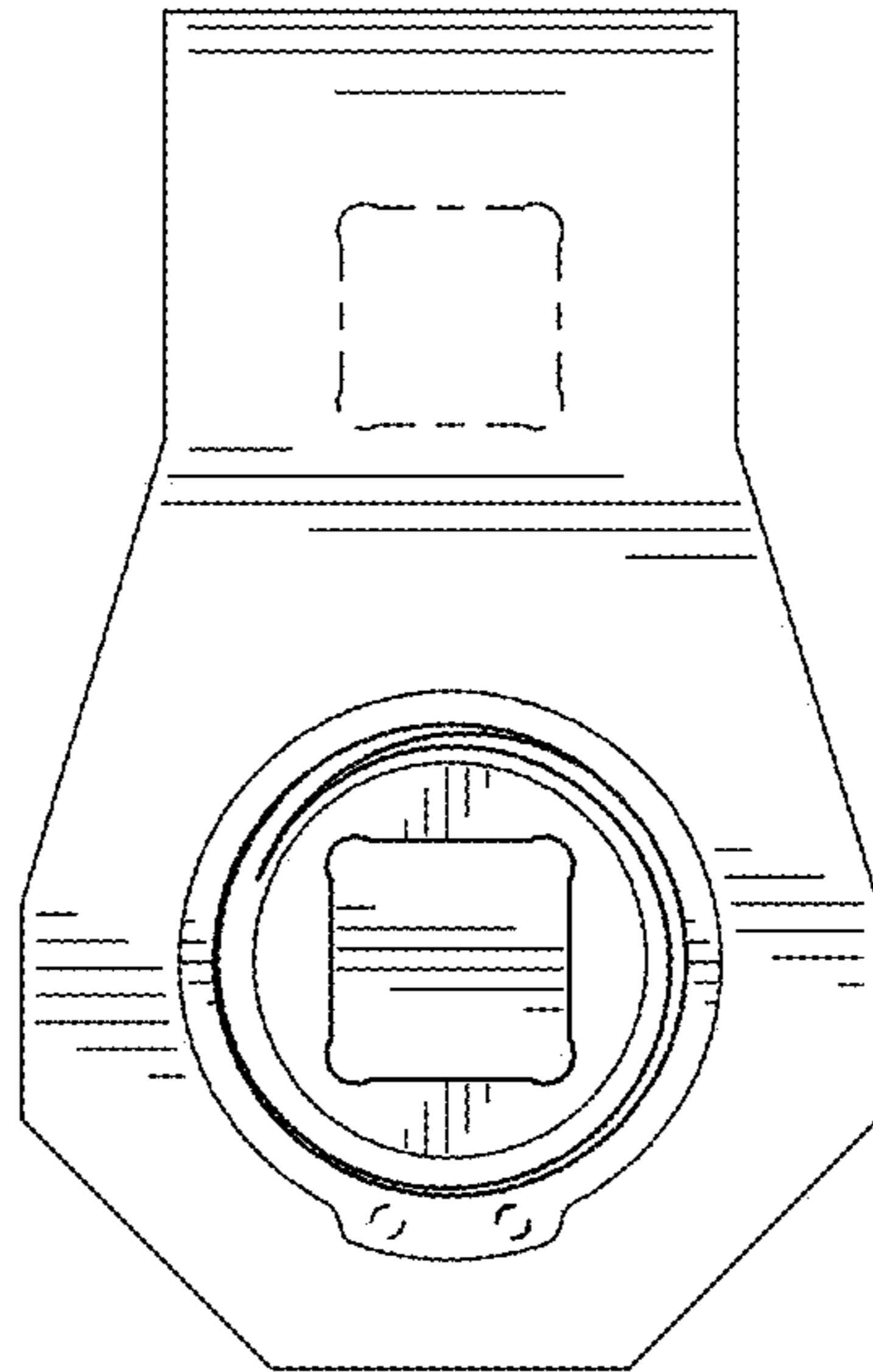


FIG. 7