



US00D893278S

(12) **United States Design Patent**
Liu et al.

(10) **Patent No.:** **US D893,278 S**
(45) **Date of Patent:** **** Aug. 18, 2020**

(54) **SUCTION HEAD**

(71) Applicant: **Black & Decker Inc.**, New Britain, CT (US)

(72) Inventors: **Si jiang Liu**, Jiangsu (CN); **Xiubao Lan**, Jiangsu (CN); **Bing hua Liu**, SuZhou (CN); **Cheng Gang Gu**, Suzhou Jiang Su (CN); **Pablo Garcia**, Wiesbaden (DE); **Klaus-Dieter Arich**, Huenstetten-Beuerbach (DE)

(73) Assignee: **Black & Decker Inc.**, New Britain, CT (US)

(**) Term: **15 Years**

(21) Appl. No.: **29/668,022**

(22) Filed: **Oct. 26, 2018**

(30) **Foreign Application Priority Data**

Apr. 27, 2018 (EM) 005251360

(51) **LOC (12) Cl.** **08-05**

(52) **U.S. Cl.**
USPC **D8/70; D15/138**

(58) **Field of Classification Search**
USPC D8/14.1, 61-71, 90, 363; D15/124-126, D15/133, 138-140; D32/1, 15, 21, 25, D32/16-18

CPC B23Q 11/0046; B23Q 11/0053; B23Q 11/0071; B23B 45/003; B25D 17/22
See application file for complete search history.

(56) **References Cited**

U.S. PATENT DOCUMENTS

D392,531 S * 3/1998 Richardson D8/70
6,854,937 B1 * 2/2005 Weiss B23Q 11/0046
144/136.95

D513,161 S * 12/2005 Chilton D8/70
D593,389 S * 6/2009 Clayton D8/70
7,635,293 B2 * 12/2009 Sun B24B 55/102
451/354
D677,545 S * 3/2013 Sell D8/70
D677,547 S * 3/2013 Rosenau D8/70
D677,548 S * 3/2013 Rosenau D8/70
D678,028 S * 3/2013 Rosenau D8/70
D736,582 S * 8/2015 Dietsche D8/70
D818,788 S * 5/2018 Dammkoehler D8/70
2010/0200117 A1 * 8/2010 Glogger B23Q 1/0046
144/252.1
2011/0142561 A1 * 6/2011 Hahn B23Q 11/0046
408/56

* cited by examiner

Primary Examiner — Darlington Ly

(74) *Attorney, Agent, or Firm* — Amir Rohani

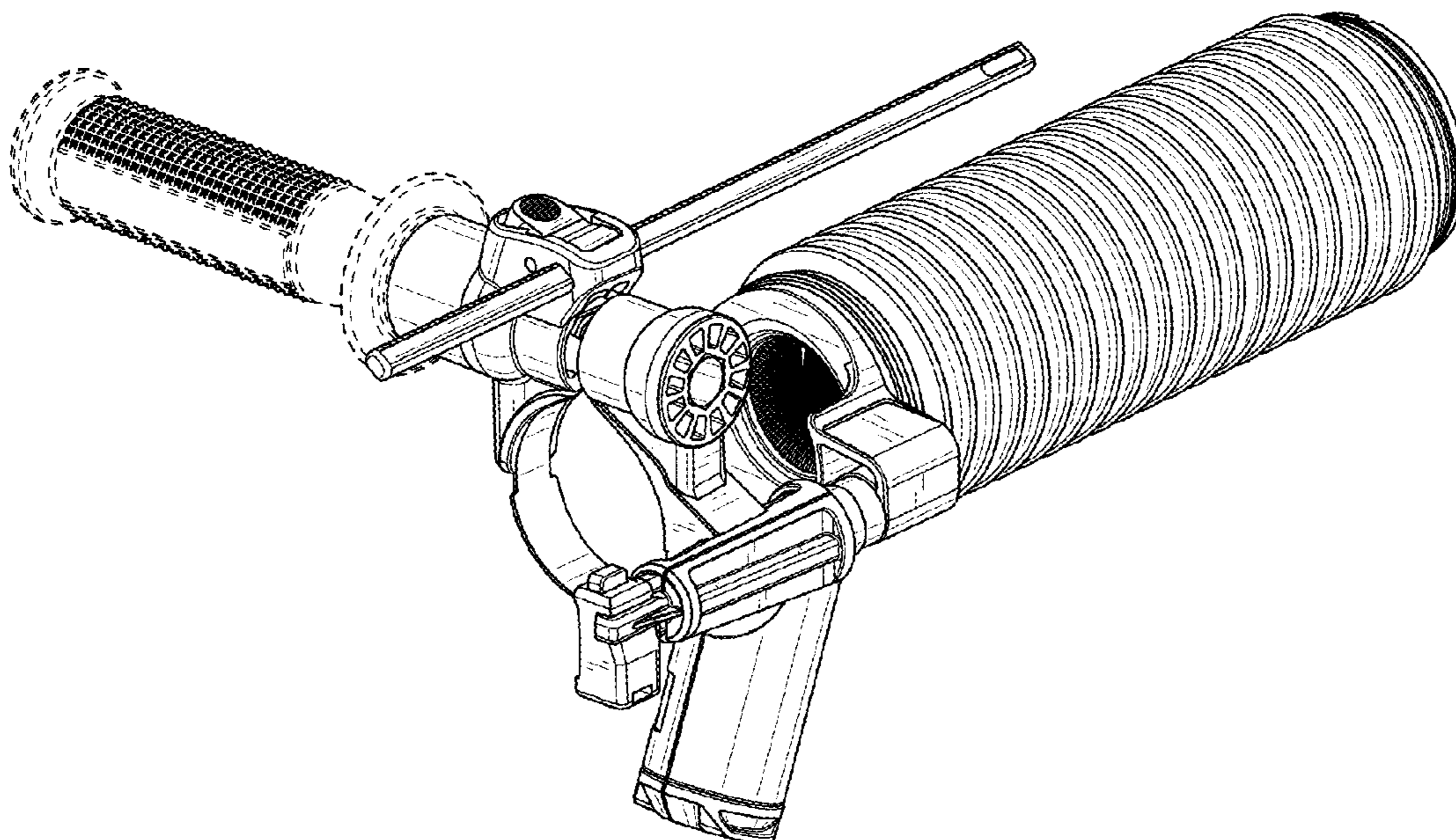
(57) **CLAIM**

The ornamental design for a suction head, as shown and described.

DESCRIPTION

FIG. 1 is a perspective view of a suction head showing our new design;
FIG. 2 is a side elevation view thereof;
FIG. 3 is a front elevation view thereof;
FIG. 4 is a rear elevation view thereof;
FIG. 5 is an opposing side elevation view thereof;
FIG. 6 is a top plan view thereof; and,
FIG. 7 is a bottom plan view thereof.

1 Claim, 7 Drawing Sheets



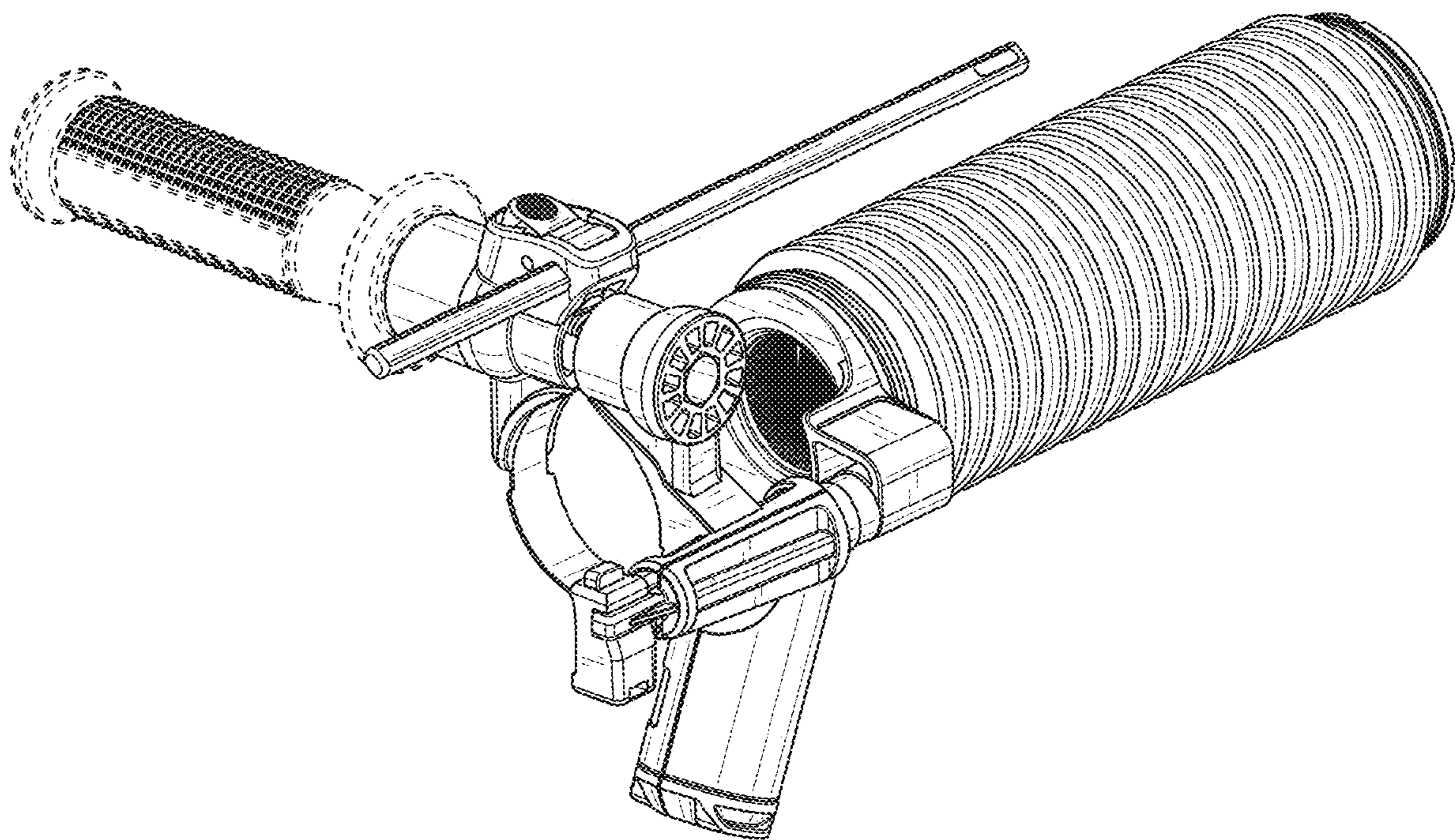


FIG. 1

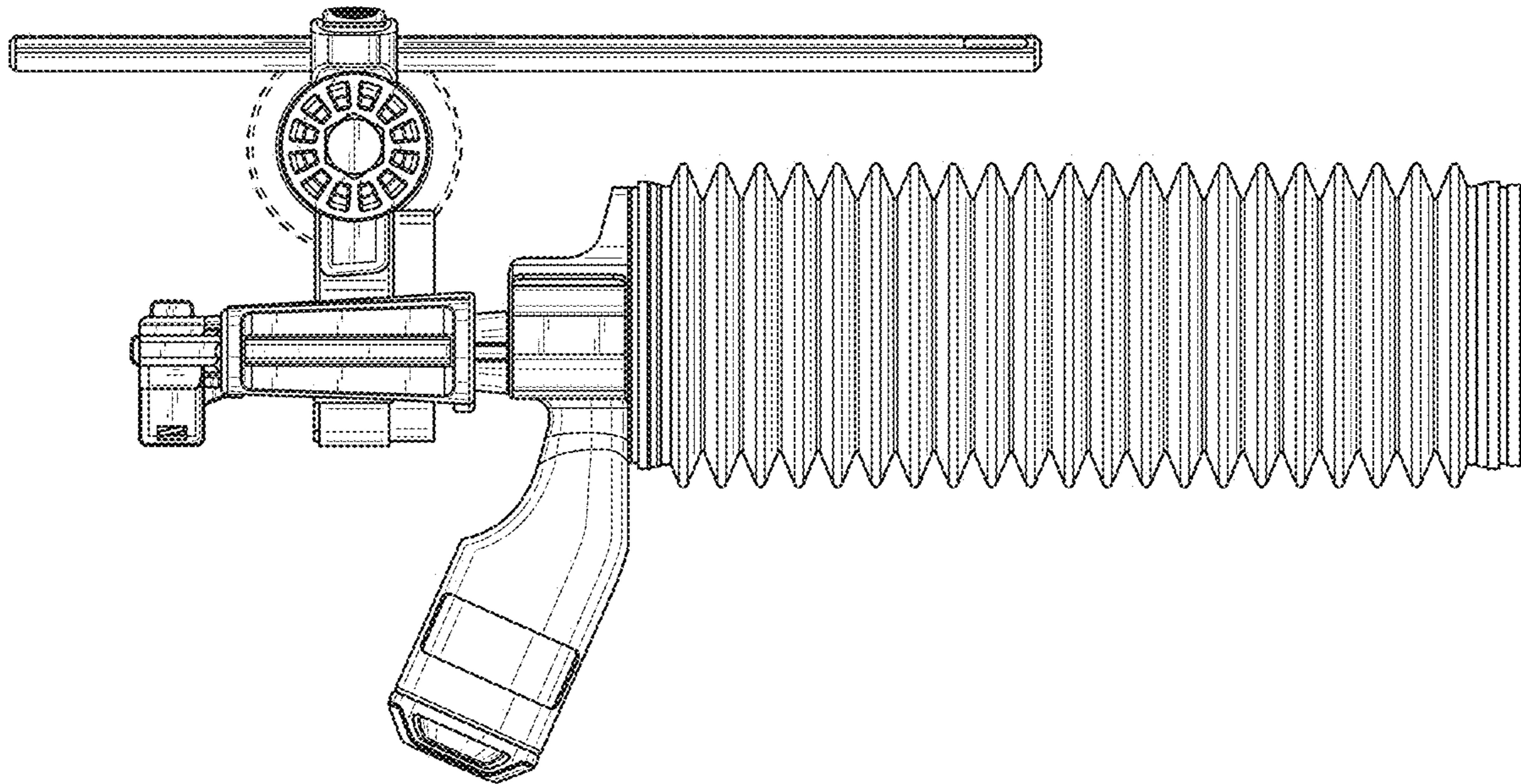


FIG. 2

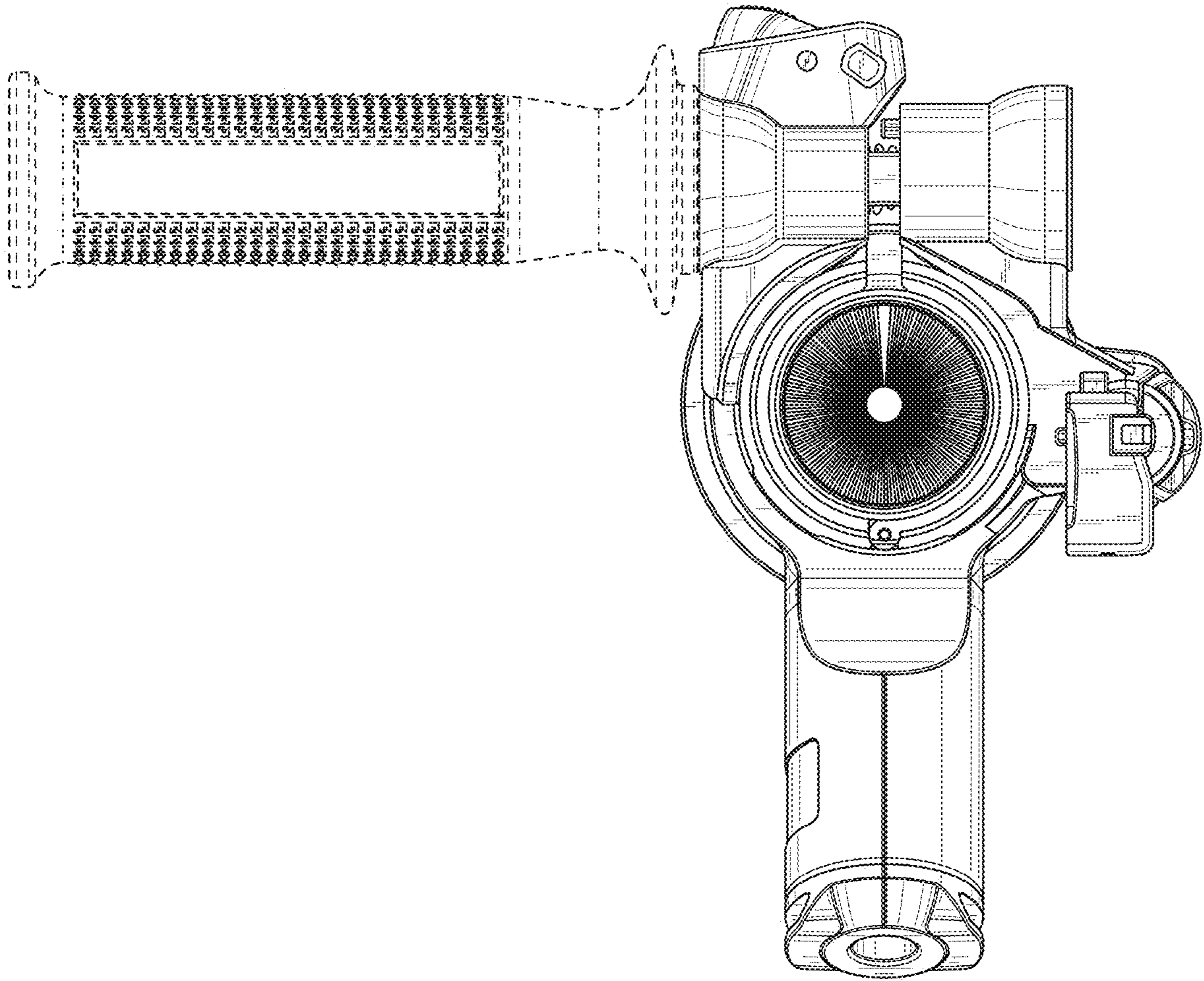


FIG. 3

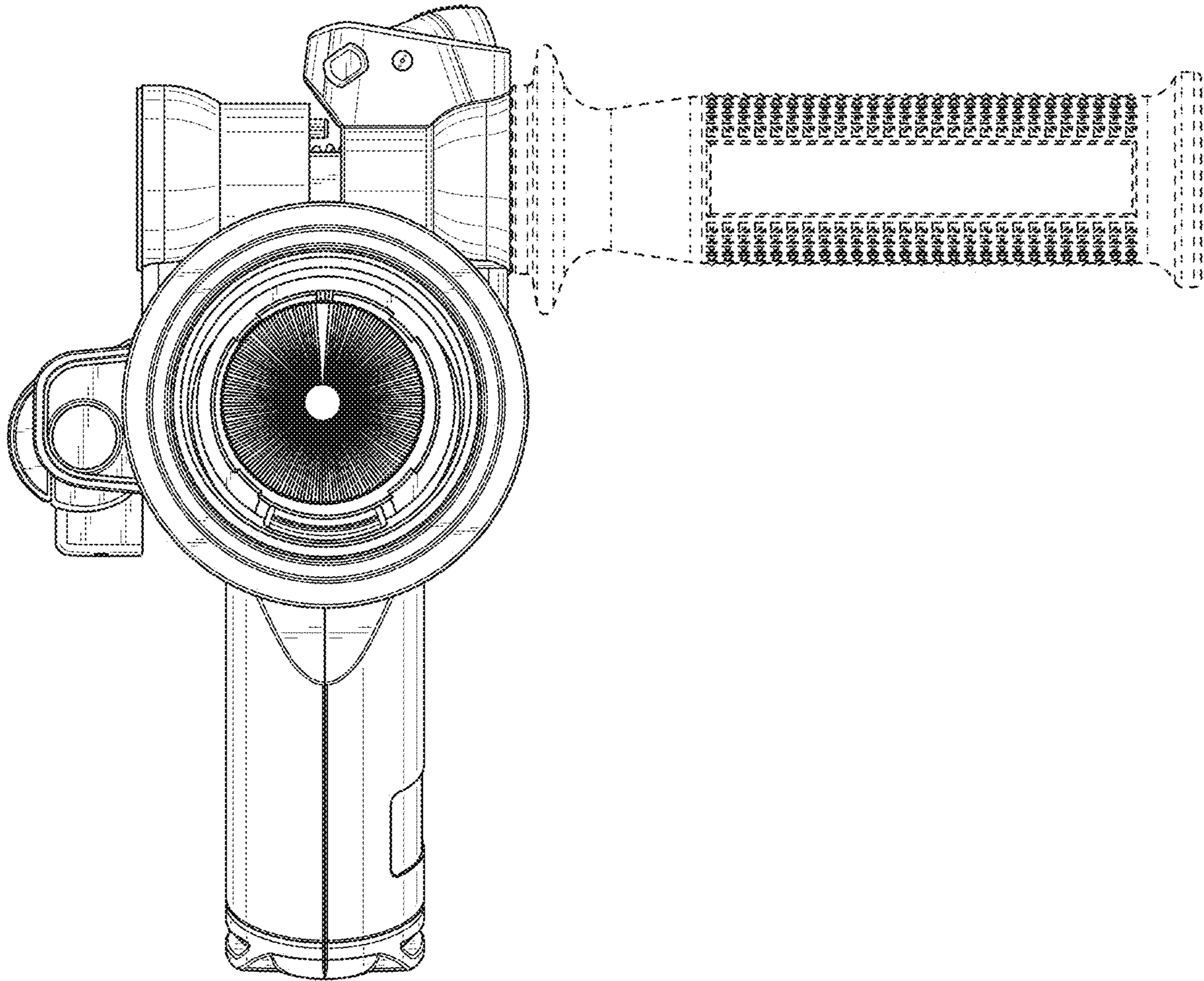


FIG. 4

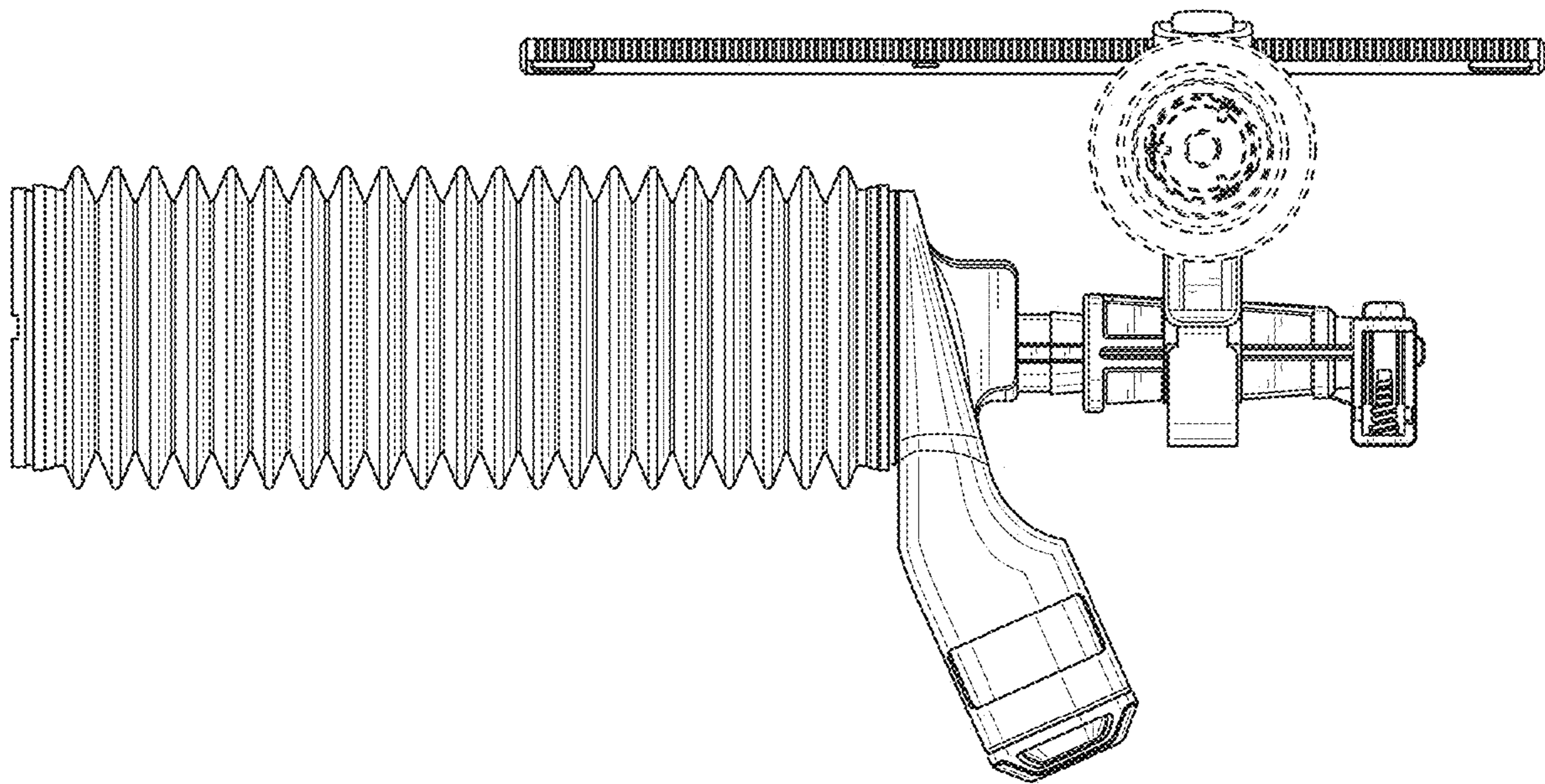


FIG. 5

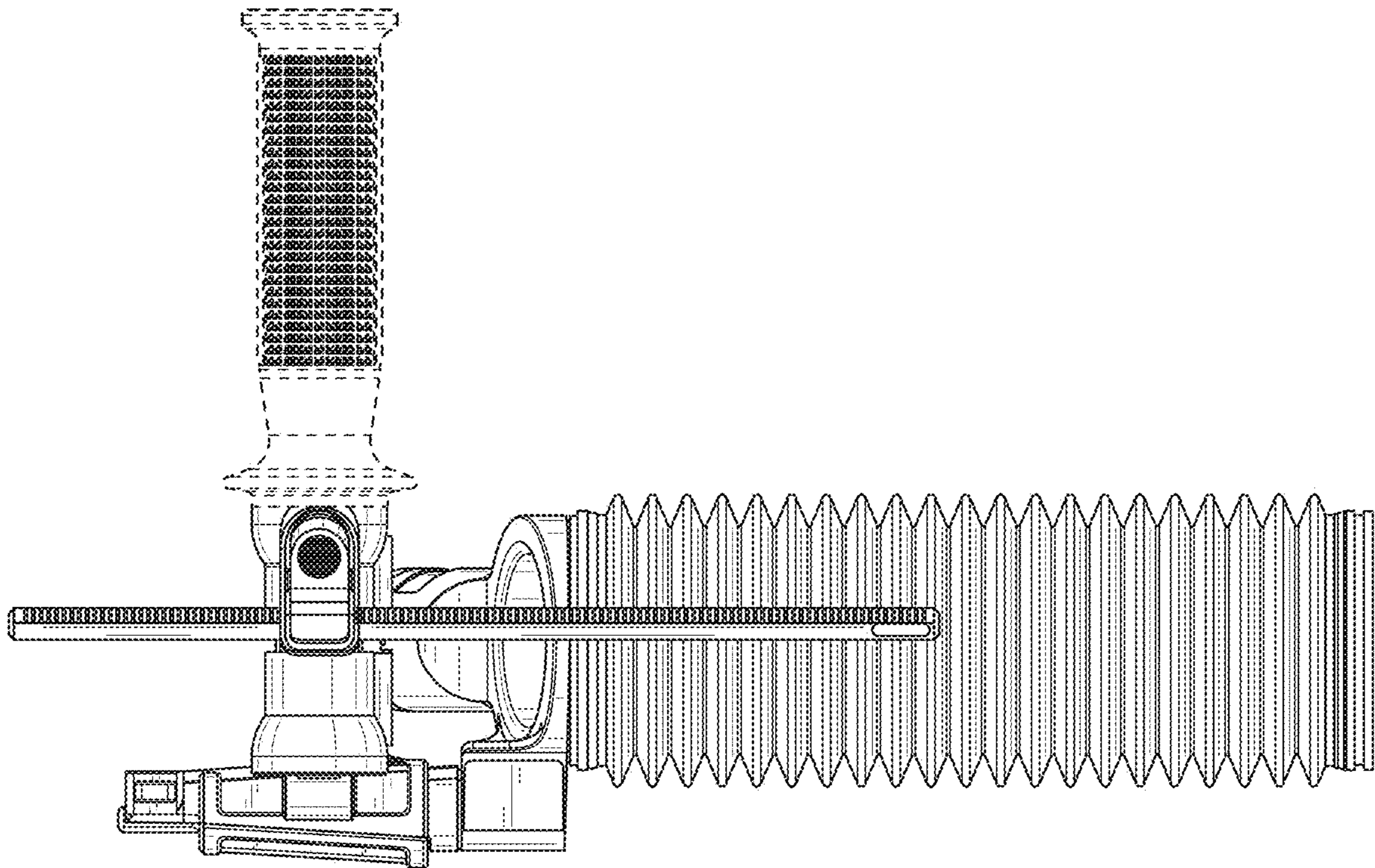


FIG. 6

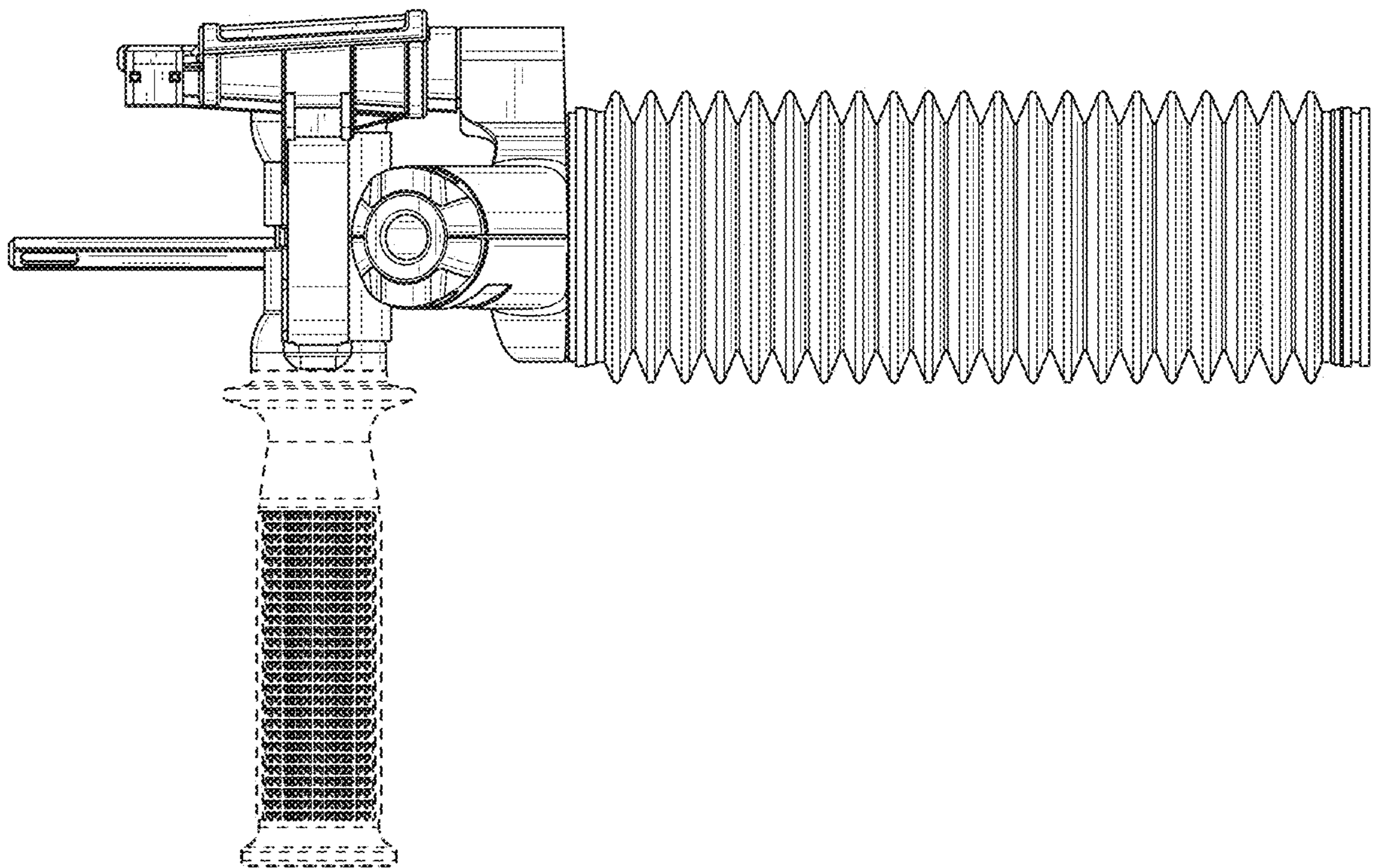


FIG. 7