



US00D893275S

(12) **United States Design Patent**
Weber et al.

(10) **Patent No.:** **US D893,275 S**
(45) **Date of Patent:** **** Aug. 18, 2020**

- (54) **SCISSORS**
- (71) Applicant: **Fiskars Finland Oy Ab**, Helsinki (FI)
- (72) Inventors: **Emery Weber**, Helsinki (FI); **Rachel Belter**, Helsinki (FI)
- (73) Assignee: **FISKARS FINLAND OY AB**, Helsinki (FI)
- (**) Term: **15 Years**
- (21) Appl. No.: **29/732,089**
- (22) Filed: **Apr. 21, 2020**
- (51) **LOC (12) Cl.** **08-03**
- (52) **U.S. Cl.**
USPC **D8/57**
- (58) **Field of Classification Search**
USPC D8/4, 5, 52, 54, 57, 51, 14; 30/131,
30/296.1, 134, 251, 252, 253, 261, 262;
D21/532
See application file for complete search history.

D721,935 S *	2/2015	Farnworth	D8/57
D753,972 S *	4/2016	deBretton Gordon	D8/57
D763,648 S *	8/2016	Albano	D8/57
D786,038 S *	5/2017	Roberts	D8/57
D788,557 S *	6/2017	Huang	D8/57
D863,010 S *	10/2019	Racamier	D8/57
2006/0123634 A1 *	6/2006	Peterson	B26B 13/20 30/232
2014/0182141 A1 *	7/2014	Farnworth	B26B 13/28 30/254
2014/0251099 A1 *	9/2014	Covarrubias-Garcia	B26B 13/12 83/13

* cited by examiner

Primary Examiner — Cynthia R Underwood
(74) *Attorney, Agent, or Firm* — Leason Ellis LLP

(57) **CLAIM**

The ornamental design for scissors, as shown and described.

DESCRIPTION

FIG. 1 is a rear view of our scissors according to the First Embodiment of our new design;
FIG. 2 is a bottom plan view thereof;
FIG. 3 is a front view thereof;
FIG. 4 is a left-side top-front perspective view thereof;
FIG. 5 is a left-side top-rear perspective view thereof;
FIG. 6 is a left-side bottom-front perspective view thereof;
FIG. 7 is a left-side bottom-rear perspective view thereof;
FIG. 8 is a right-side view thereof;
FIG. 9 is a left-side view thereof; and,
FIG. 10 is a top plan view thereof.

1 Claim, 10 Drawing Sheets

(56) **References Cited**

U.S. PATENT DOCUMENTS

D419,047 S *	1/2000	Jacquet	D8/57
D421,375 S *	3/2000	Carlson	D8/57
D502,853 S *	3/2005	Peterson	D8/57
D536,588 S *	2/2007	Peterson	D8/57
D536,589 S *	2/2007	Peterson	D8/57
D631,313 S *	1/2011	Peterson	D8/57
D642,033 S *	7/2011	Molina	D8/5

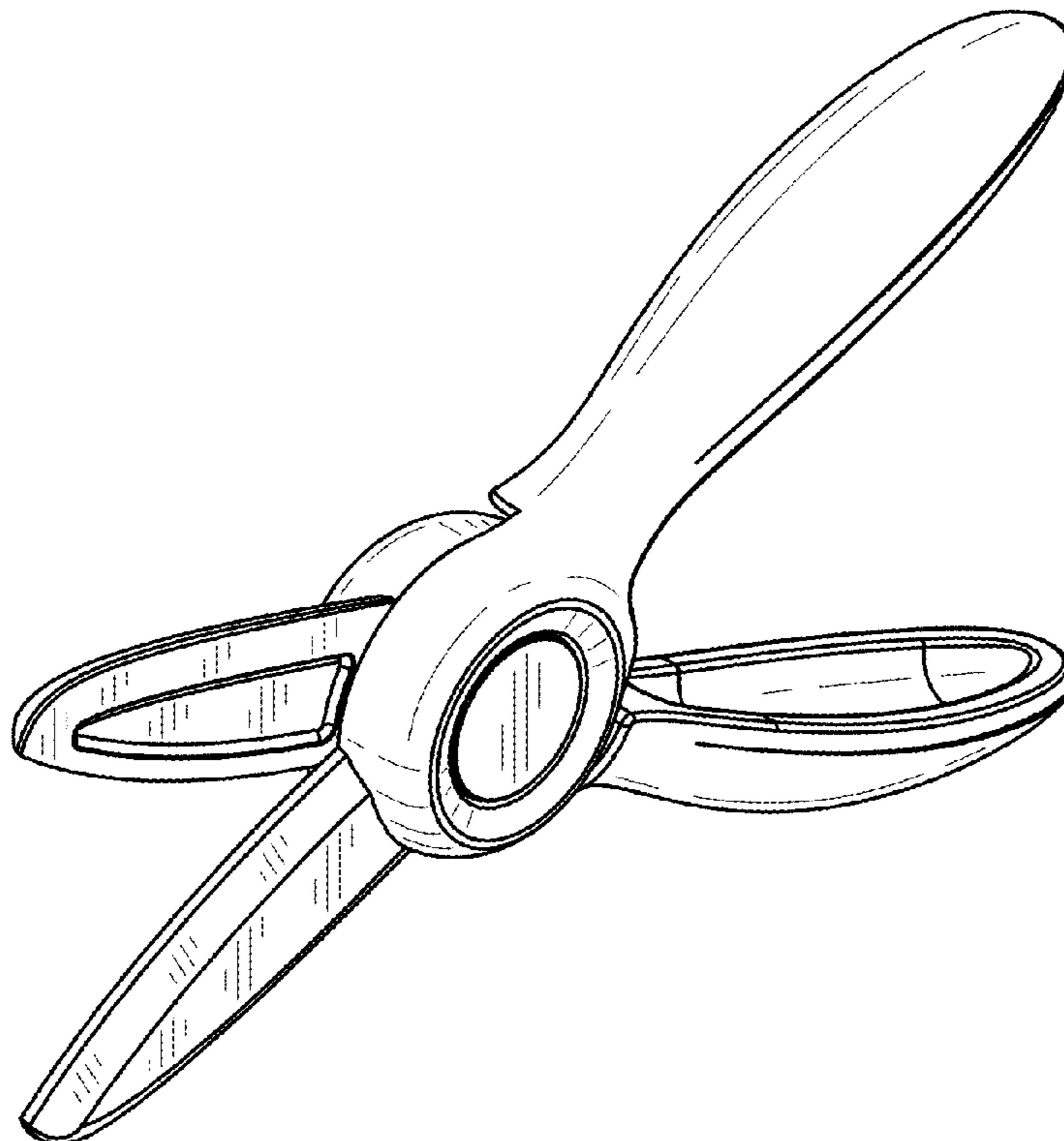


FIG. 1

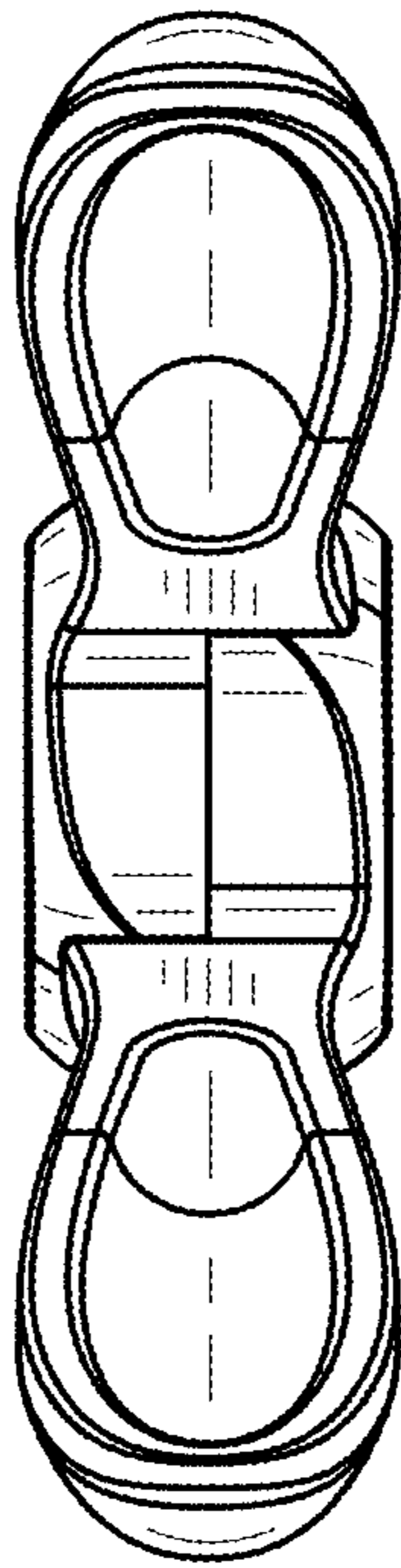


FIG. 2

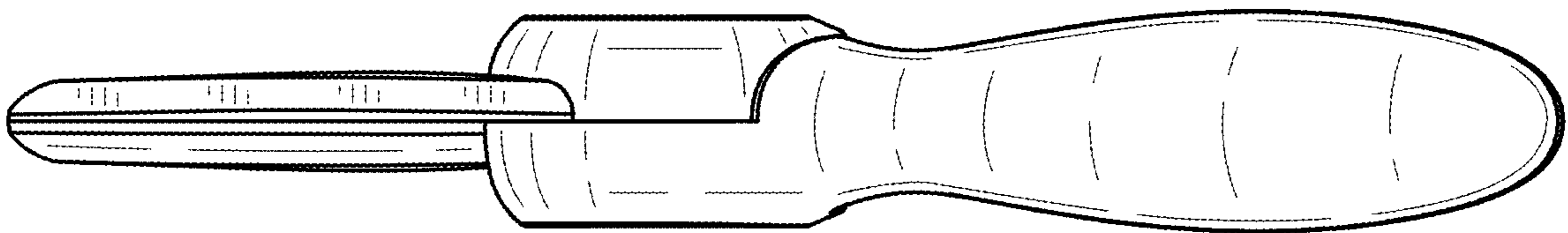


FIG. 3

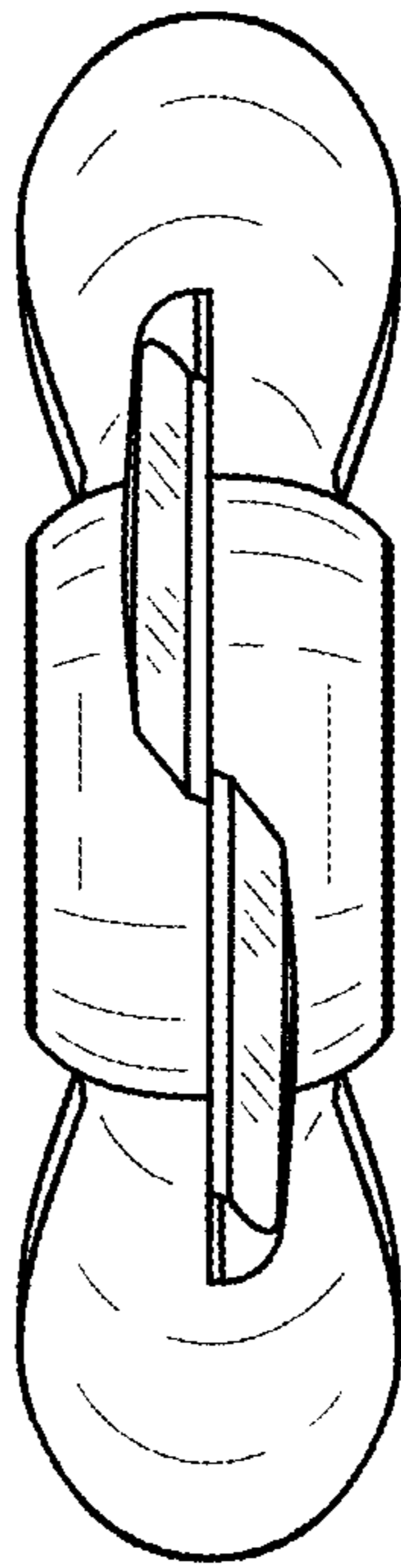


FIG. 4

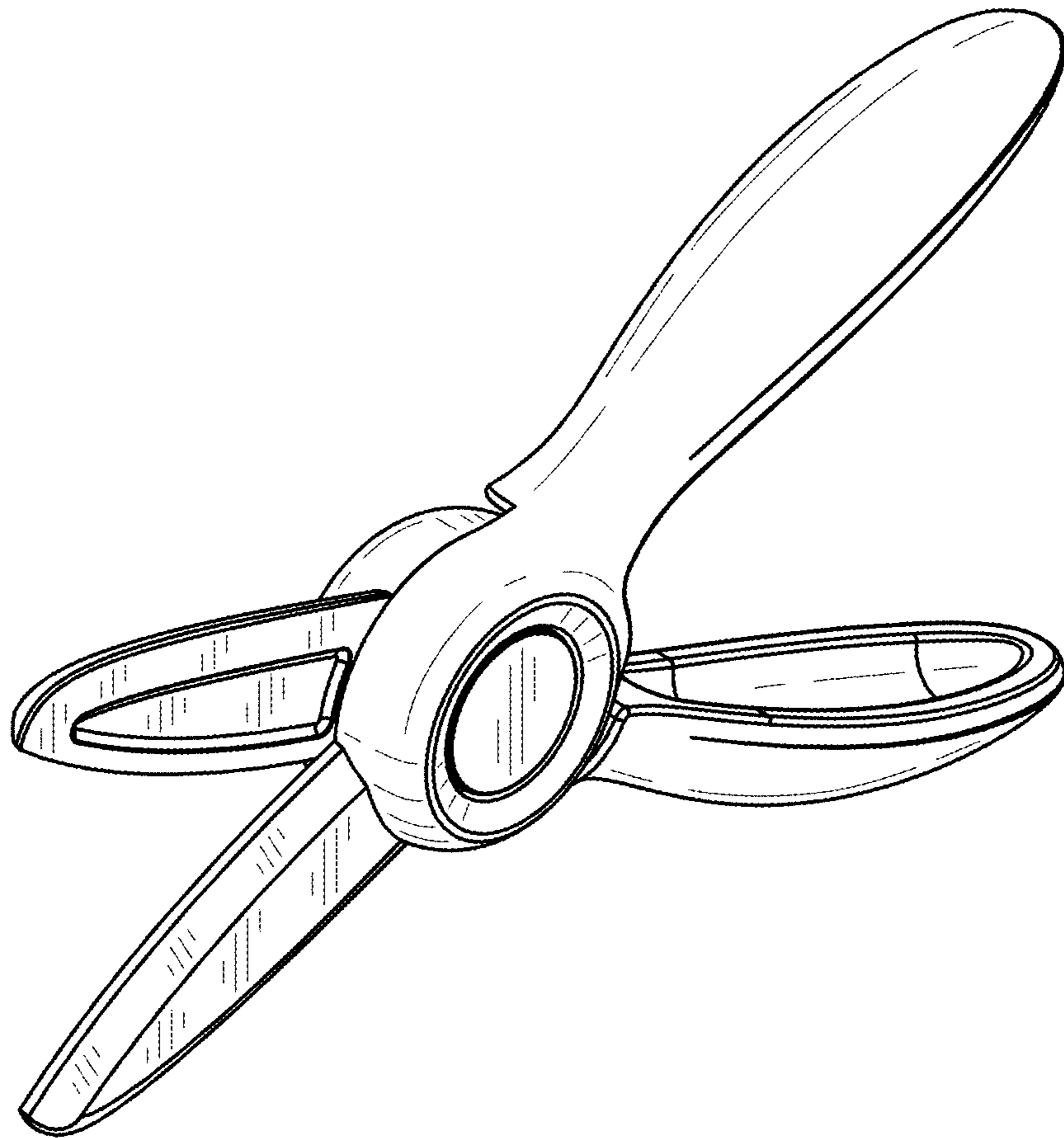


FIG. 5

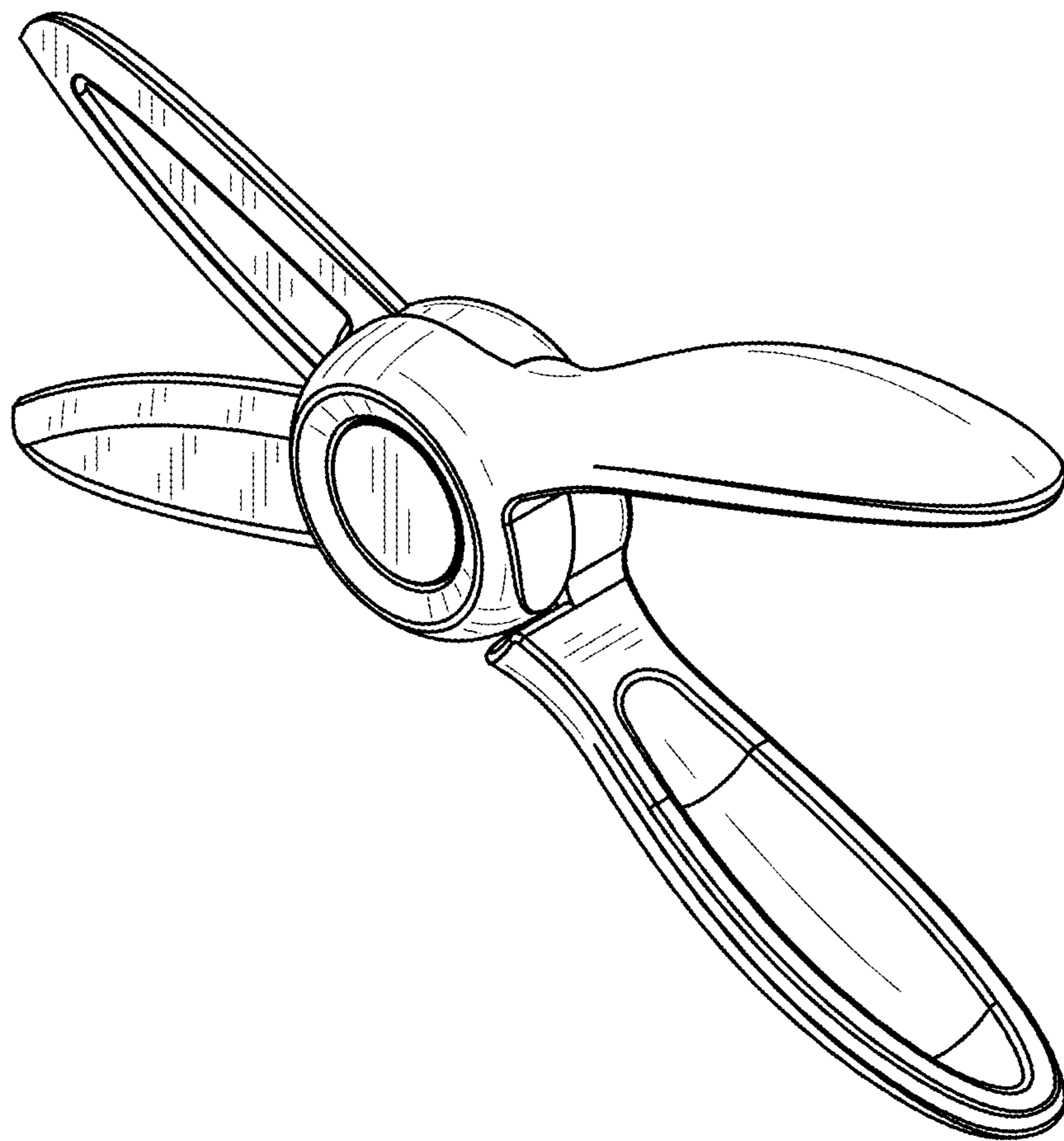


FIG. 6

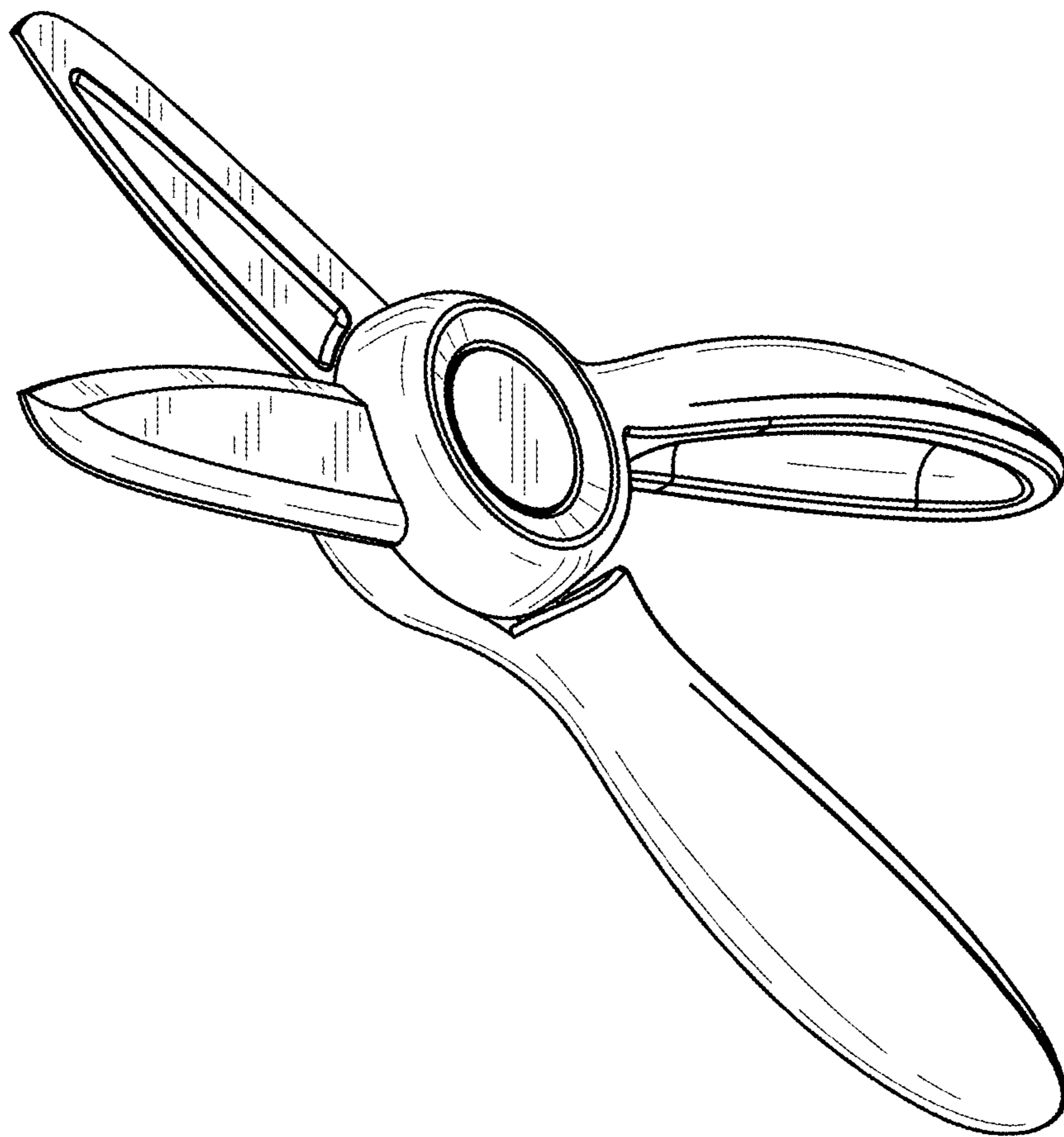


FIG. 7

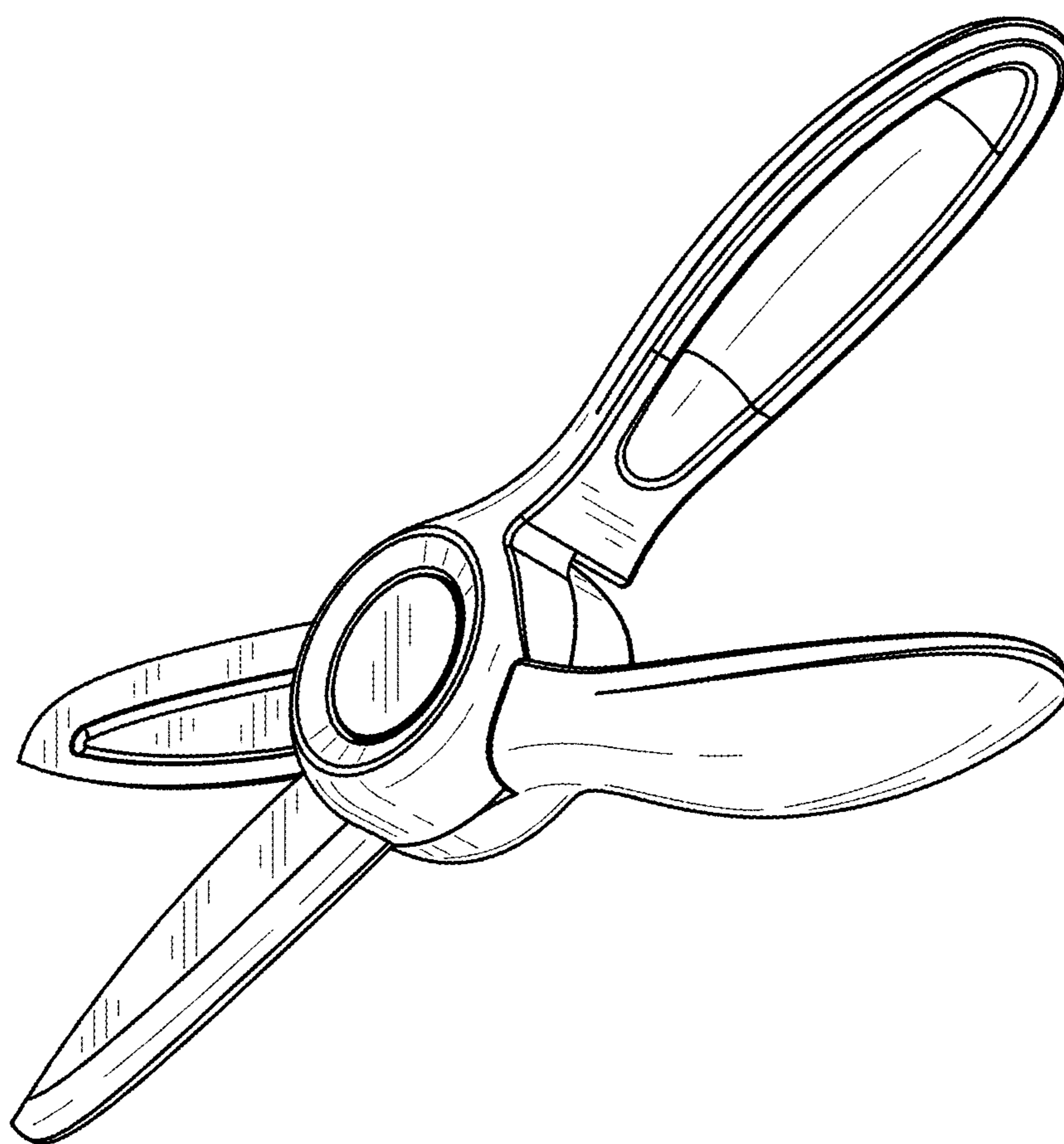


FIG. 8

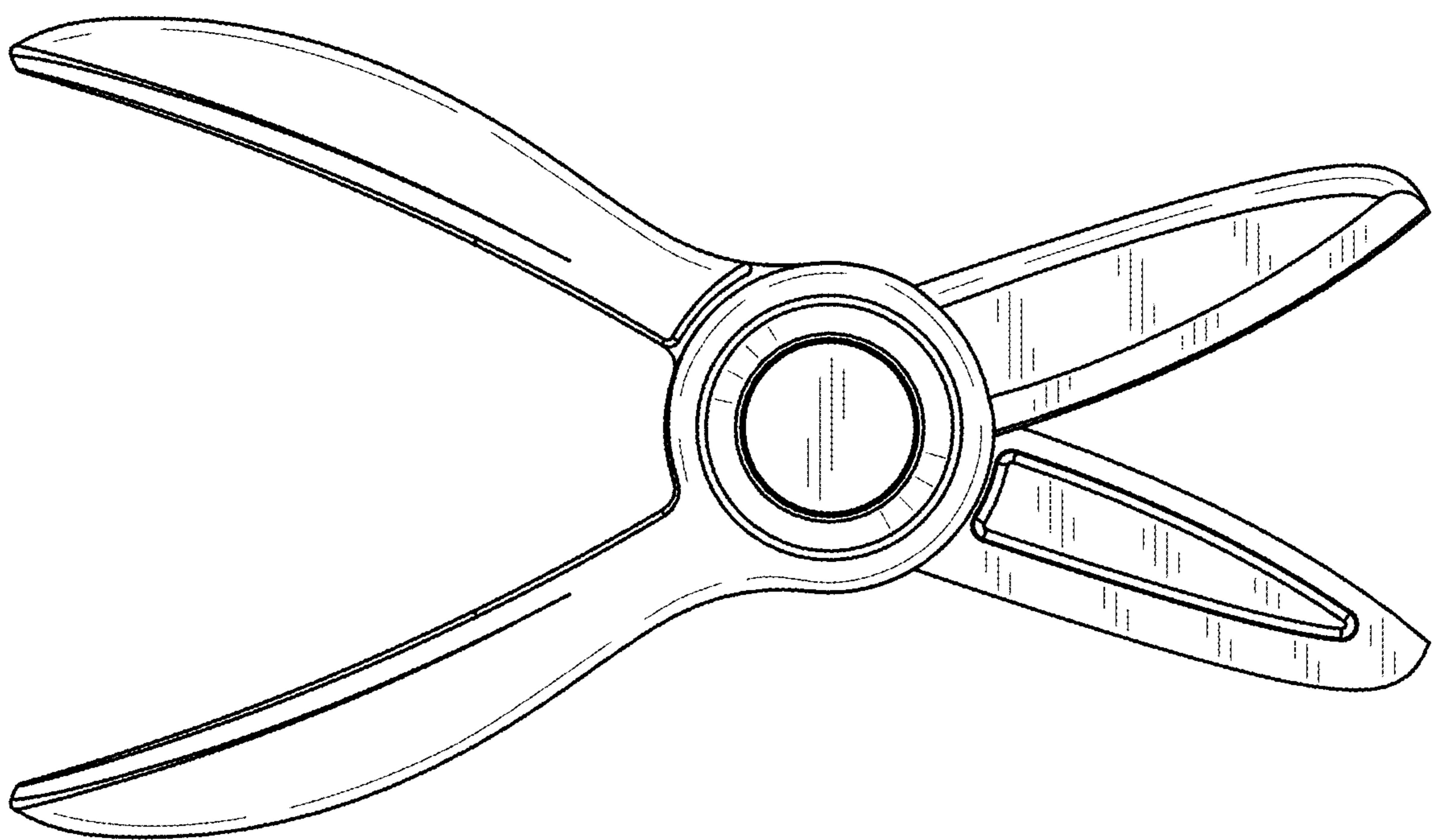


FIG. 9

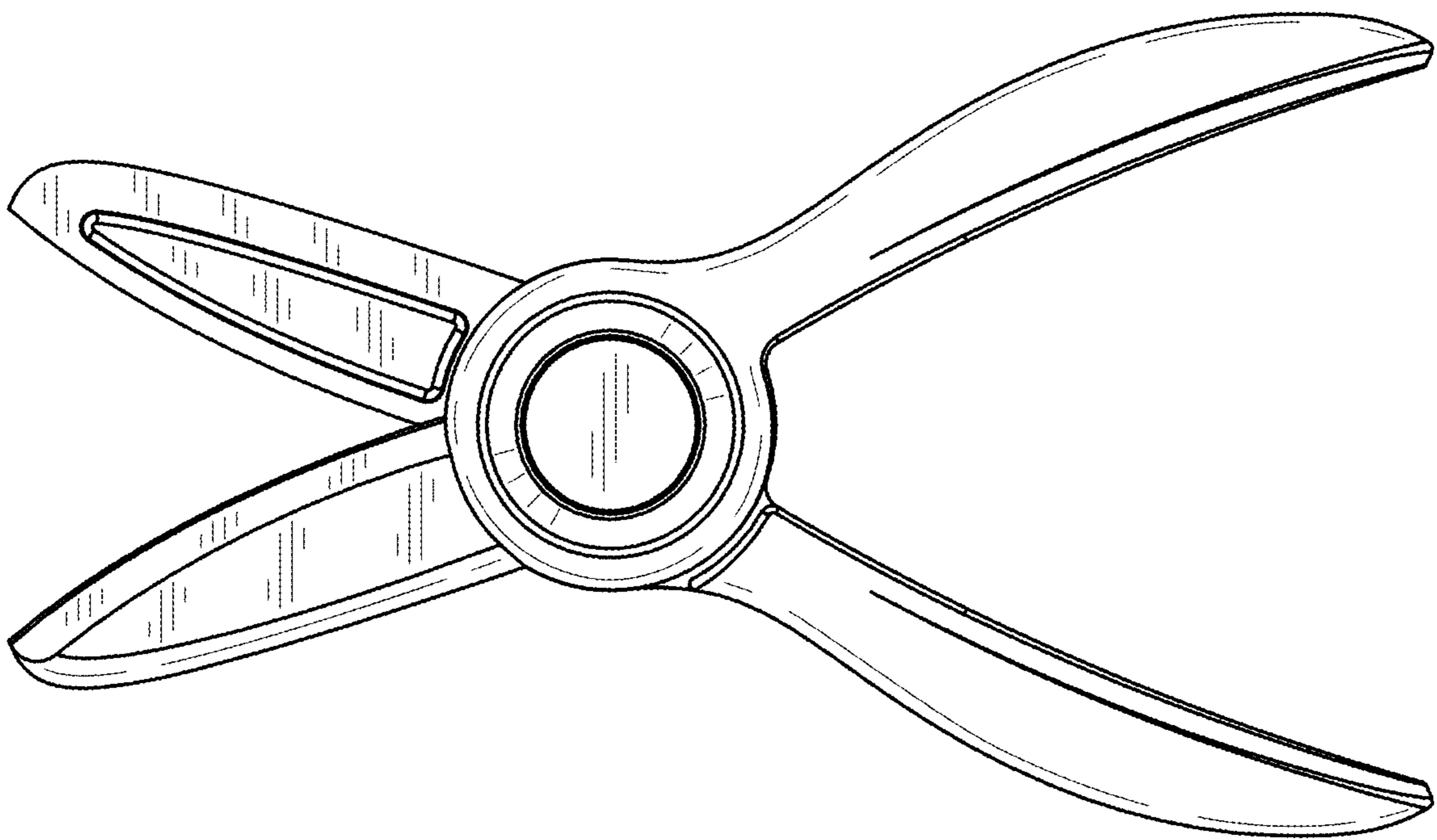
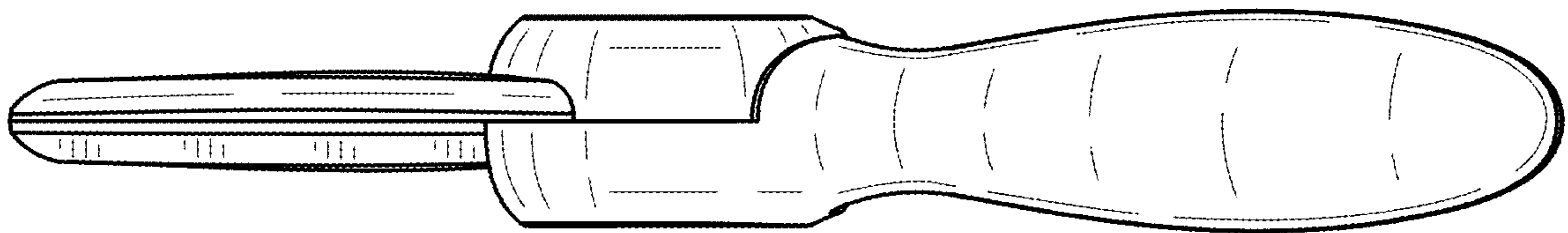


FIG. 10



UNITED STATES PATENT AND TRADEMARK OFFICE
CERTIFICATE OF CORRECTION

PATENT NO. : D893,275 S
APPLICATION NO. : 29/732089
DATED : August 18, 2020
INVENTOR(S) : Emery Weber and Rachel Belter

Page 1 of 1

It is certified that error appears in the above-identified patent and that said Letters Patent is hereby corrected as shown below:

On the Title Page

Item [72], “Emery Weber, Helsinki (FI)” should read “Emery Weber, Madison, WI (US)”

Item [72], “Rachel Belter, Helsinki (FI)” should read “Rachel Belter, Madison, WI (US)”

Signed and Sealed this
First Day of February, 2022



Drew Hirshfeld
*Performing the Functions and Duties of the
Under Secretary of Commerce for Intellectual Property and
Director of the United States Patent and Trademark Office*