



US00D893273S

(12) **United States Design Patent**  
**Scimone**

(10) **Patent No.:** **US D893,273 S**

(45) **Date of Patent:** **\*\* Aug. 18, 2020**

- (54) **DOUBLE-SIDED NARROW CHISEL BLADE**
- (71) Applicant: **SLICE, INC.**, San Jose, CA (US)
- (72) Inventor: **Thomas John Scimone**, San Jose, CA (US)
- (\*\*) Term: **15 Years**
- (21) Appl. No.: **29/686,257**
- (22) Filed: **Apr. 3, 2019**
- (51) **LOC (12) Cl.** ..... **08-05**
- (52) **U.S. Cl.**  
USPC ..... **D8/47**
- (58) **Field of Classification Search**  
USPC ..... D8/14, 17, 20, 70, 98, 99; D22/118;  
D15/17  
CPC ..... B25D 3/00; B25D 2250/115; B25D  
2250/111; B25D 2250/051; B25D  
2222/75; D28D 1/26  
See application file for complete search history.

|              |      |         |         |       |             |         |
|--------------|------|---------|---------|-------|-------------|---------|
| 7,257,896    | B2 * | 8/2007  | Kurtz   | ..... | B25D 3/00   | 30/167  |
| 7,543,431    | B2 * | 6/2009  | Igl     | ..... | A01D 34/733 | 56/17.5 |
| D658,955     | S *  | 5/2012  | Nikkel  | ..... | D8/20       |         |
| D663,595     | S *  | 7/2012  | Nikkel  | ..... | D8/20       |         |
| D695,790     | S *  | 12/2013 | Carra   | ..... | D15/17      |         |
| 9,095,967    | B2 * | 8/2015  | Derivaz | ..... | B23B 31/117 |         |
| 9,468,144    | B2 * | 10/2016 | Kurioka | ..... | A01D 34/68  |         |
| D873,866     | S *  | 1/2020  | Jensen  | ..... | D15/17      |         |
| 2008/0189957 | A1 * | 8/2008  | Kasper  | ..... | B25D 3/00   | 30/167  |
| 2011/0041346 | A1 * | 2/2011  | Chen    | ..... | B25D 3/00   | 30/167  |

\* cited by examiner

*Primary Examiner* — Philip S Hyder

(74) *Attorney, Agent, or Firm* — Ellenoff Grossman & Schole LLP; James M. Smedley; Alex Korona

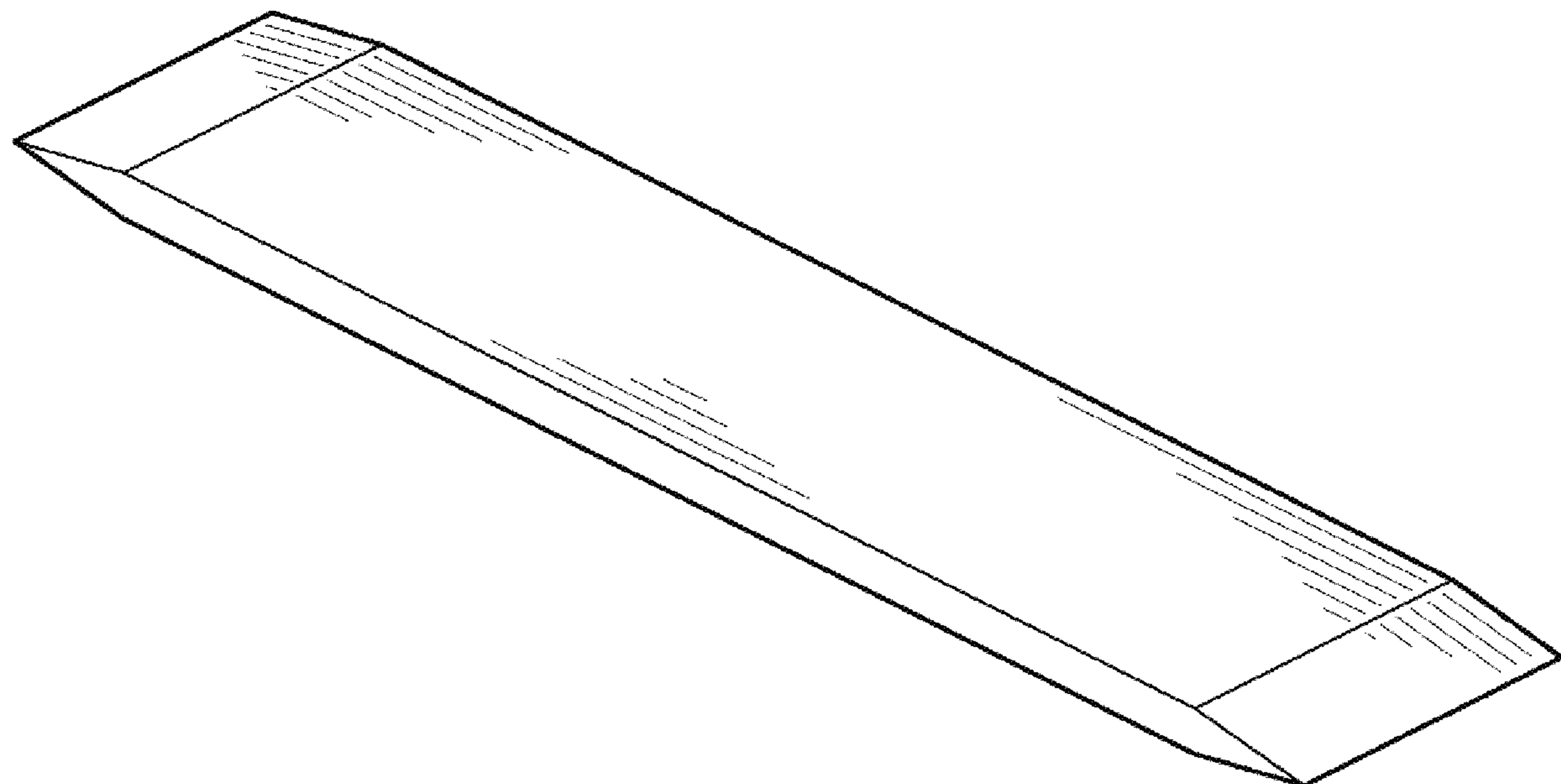
(57) **CLAIM**

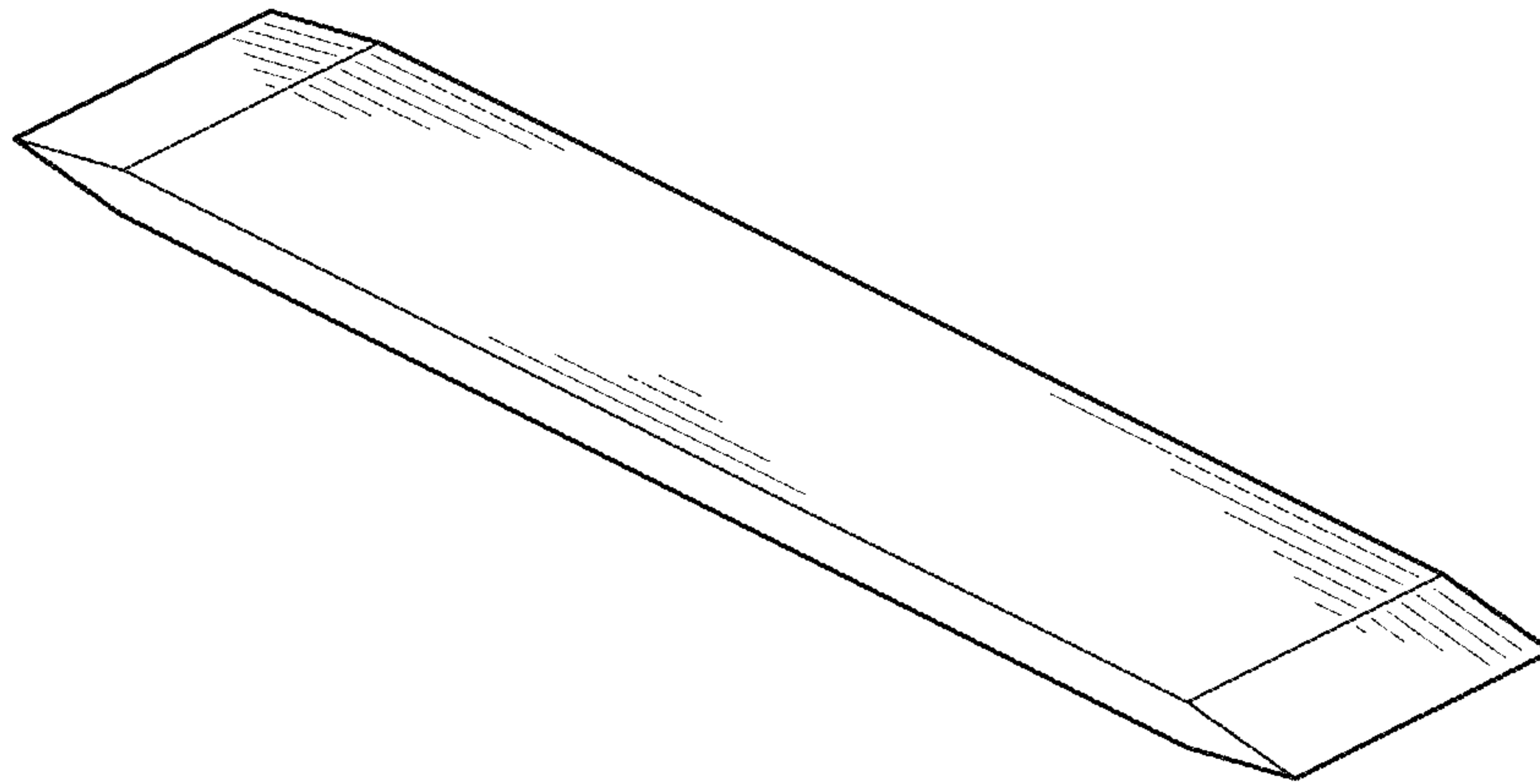
I claim the ornamental design for a double-sided narrow chisel blade, as shown and described.

**DESCRIPTION**

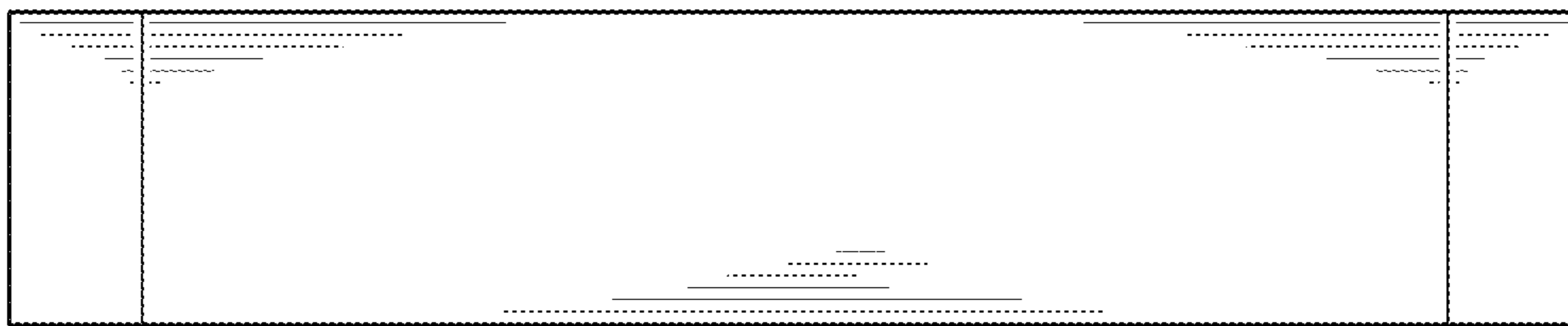
FIG. 1 is a perspective view showing the new design. FIG. 2 is a top view showing the new design, which is a mirror image of the bottom view showing the new design. FIG. 3 is a side view showing the new design, which is a mirror image of the opposite side view showing the new design; and, FIG. 4 is a front view showing the new design, which is a mirror image of the rear view showing the new design. The shading lines shown in the drawings represent the approximate three-dimensional contour of the design, and are not intended to indicate surface decoration.

**1 Claim, 1 Drawing Sheet**





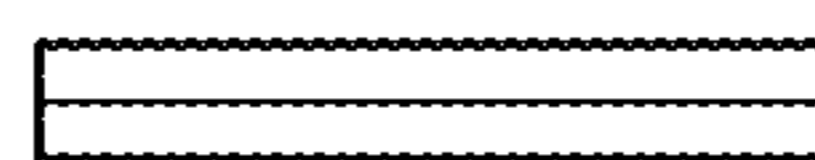
**FIG. 1**



**FIG. 2**



**FIG. 3**



**FIG. 4**