



US00D893270S

(12) **United States Design Patent**
Hsu et al.

(10) **Patent No.:** **US D893,270 S**

(45) **Date of Patent:** **** Aug. 18, 2020**

(54) **POWERED HAND-HELD SPREADER**

(56) **References Cited**

(71) Applicant: **OMS Investments, Inc.**, Los Angeles, CA (US)

U.S. PATENT DOCUMENTS

(72) Inventors: **Paul E. Hsu**, Lewis Center, OH (US);
Paul M. Havlovitz, Dublin, OH (US);
Ryan R. Berger, Columbus, OH (US);
Chris W. Cicenas, Etna, OH (US);
Daniel Wisniewski, Columbus, OH (US);
Johannes Hertrich, Columbus, OH (US)

3,157,402 A * 11/1964 Love, Jr. A01C 17/00
239/686
3,227,461 A * 1/1966 Love, Jr. A01C 17/00
239/686
D232,802 S * 9/1974 Steinkamp et al. D32/17
3,993,225 A * 11/1976 Manni B65G 65/4827
222/324
4,071,170 A * 1/1978 Gunzel, Jr. A01M 9/0046
222/199

(Continued)

(73) Assignee: **OMS Investments, Inc.**, Los Angeles, CA (US)

Primary Examiner — Mark A Goodwin

(74) *Attorney, Agent, or Firm* — Ulmer & Berne LLP

(**) Term: **15 Years**

(57) **CLAIM**

(21) Appl. No.: **29/700,683**

The ornamental design for a powered hand-held spreader, as shown and described.

(22) Filed: **Aug. 5, 2019**

Related U.S. Application Data

DESCRIPTION

(63) Continuation of application No. 29/613,646, filed on Aug. 11, 2017, now Pat. No. Des. 855,421, which is a continuation of application No. 29/536,927, filed on Aug. 20, 2015, now Pat. No. Des. 796,922.

(51) **LOC (12) Cl.** **08-01**

(52) **U.S. Cl.**
USPC **D8/2; D15/13**

(58) **Field of Classification Search**

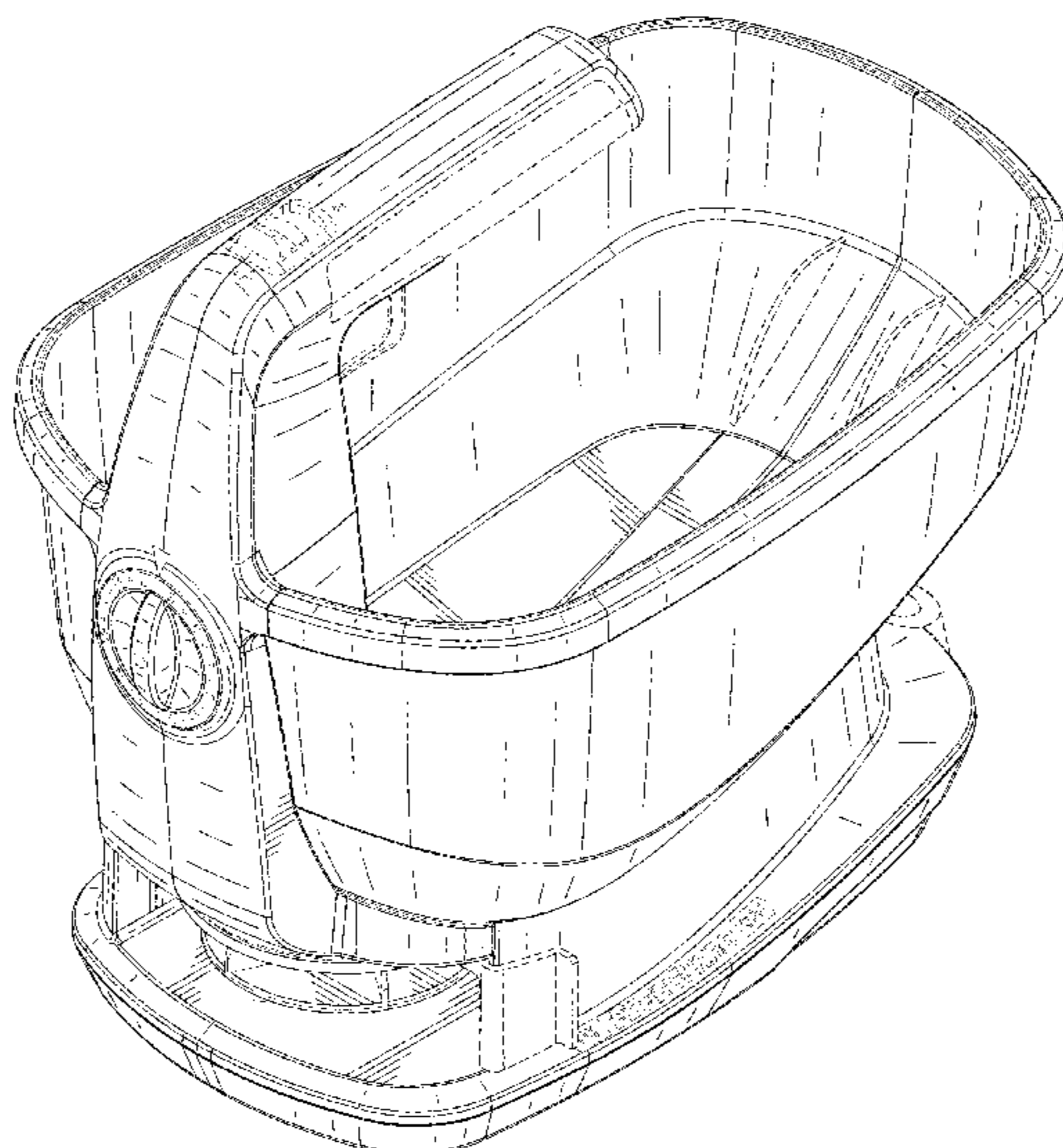
USPC D15/13; D8/2; D32/17; 239/654, 663, 239/686, 526, 375, 379, 652, 653, 683, 239/154, 687, 668, 681; 406/102, 98, 406/135; 222/75, 324, 473, 175
CPC A01C 15/02; A01C 15/00; A01C 15/04; A01C 15/006; A01C 7/00; A01C 7/02; E01C 19/203; E01C 19/205; E01C 2019/206; E01H 10/007; A01M 9/003; A01M 9/0007; A01M 9/038; A01M 9/0046

FIG. 1 depicts a front perspective view of a powered hand-held spreader;
FIG. 2 is a rear perspective view thereof;
FIG. 3 is a front bottom perspective view thereof;
FIG. 4 is a rear bottom perspective view thereof;
FIG. 5 is top plan view thereof;
FIG. 6 is a bottom plan view of thereof;
FIG. 7 is a right side elevational view thereof;
FIG. 8 is a left side elevational view thereof;
FIG. 9 is a front elevational view thereof;
FIG. 10 is a rear elevational view thereof;
FIG. 11 is a side perspective view thereof;
FIG. 12 is a top perspective view thereof; and
FIG. 13 is a second front perspective view thereof.

The broken line showing of the powered hand-held spreader is included for the purpose of illustrating portions of the article and forms no part of the claimed design.

See application file for complete search history.

1 Claim, 13 Drawing Sheets



(56)

References Cited

U.S. PATENT DOCUMENTS

4,089,441 A * 5/1978 Cole A01C 15/02
222/631
4,140,280 A * 2/1979 Allen A01C 15/02
239/654
4,387,852 A * 6/1983 Mattson A01C 15/04
222/630
4,492,341 A * 1/1985 Allen A01C 15/02
222/317
4,678,377 A * 7/1987 Bouchard B05B 7/1413
222/630
5,119,993 A * 6/1992 Gunzel, Jr. A01C 15/02
239/600
5,123,598 A * 6/1992 Courtney A01C 15/02
222/473
D327,823 S * 7/1992 Demarest D15/13
D333,951 S * 3/1993 Courtney D8/2
5,285,971 A * 2/1994 Havlovitz A01C 15/02
222/43
5,409,166 A * 4/1995 Gunzel, Jr. A01C 15/02
239/142
5,429,278 A * 7/1995 Sansalone A01M 9/0046
222/195
D387,638 S * 12/1997 DeLaby D8/2
6,024,294 A * 2/2000 Dillon A01C 15/02
239/687
6,092,746 A * 7/2000 Dillon A01C 7/02
239/142

6,425,500 B2 * 7/2002 McNally E01C 19/2025
222/175
6,616,074 B2 * 9/2003 Courtney A01C 15/008
239/666
6,729,557 B2 * 5/2004 Dillon A01M 9/0053
239/142
6,840,468 B2 * 1/2005 Barnett A01C 7/02
239/152
D534,044 S * 12/2006 Zak D8/2
7,281,675 B2 * 10/2007 Elrod B05B 3/087
239/663
7,328,861 B2 * 2/2008 Sagol A01C 15/02
222/333
8,272,584 B2 * 9/2012 Barnett A01C 15/02
239/687
D744,303 S * 12/2015 Marconi D15/13
D796,922 S * 9/2017 Hsu D15/13
D834,901 S * 12/2018 Dubiel D8/2
D855,421 S * 8/2019 Hsu D8/2
2007/0194155 A1 * 8/2007 Kendall A01C 17/006
239/650
2013/0001332 A1 * 1/2013 Marconi, Jr. A01C 15/02
239/657
2014/0166785 A1 * 6/2014 Barnett E01C 19/2005
239/683
2014/0263484 A1 * 9/2014 Marconi A01C 15/02
222/637
2017/0049042 A1 * 2/2017 Hsu A01C 15/02
2017/0202133 A1 * 7/2017 Rosenbaum B05B 12/002

* cited by examiner

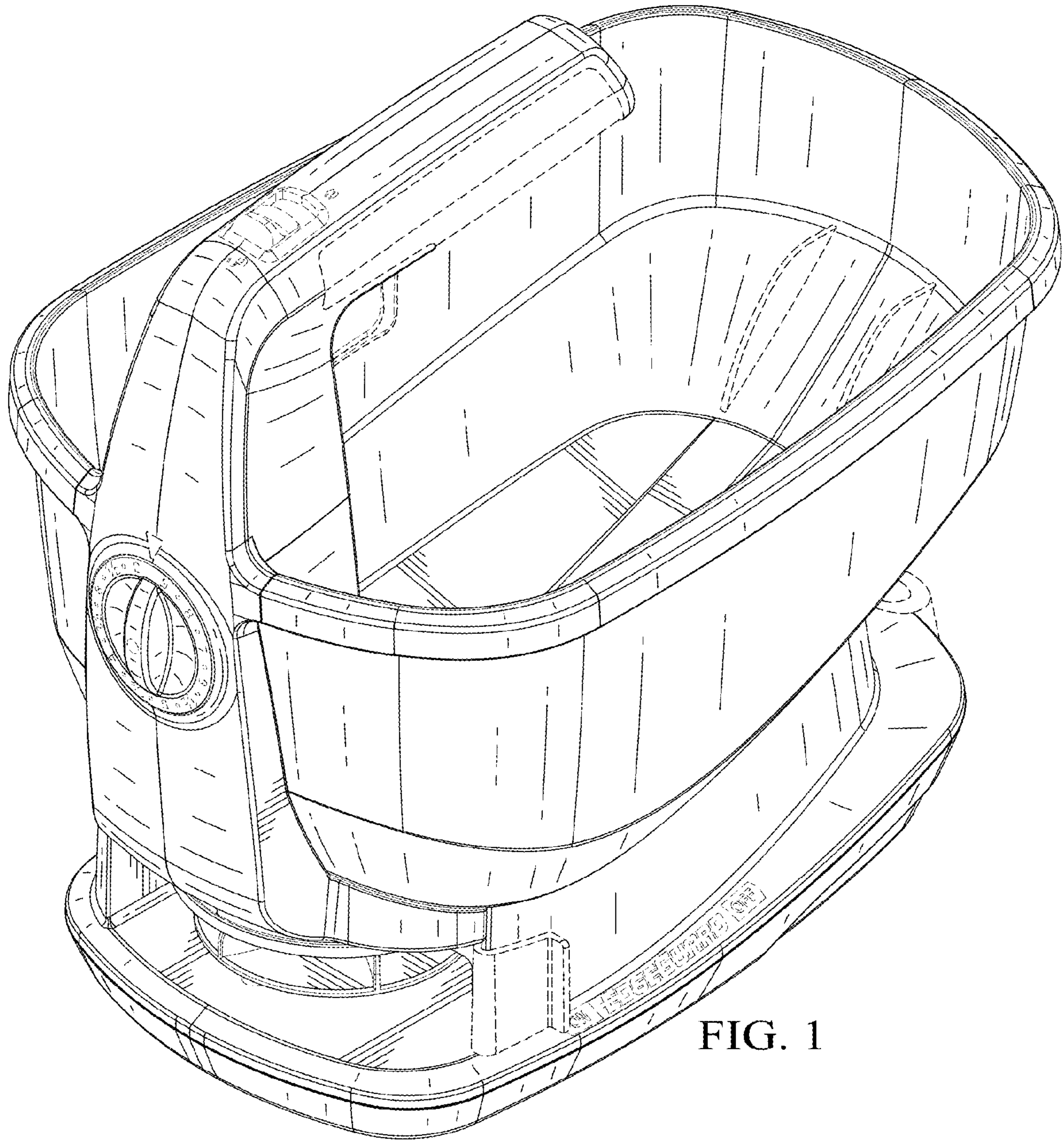


FIG. 1

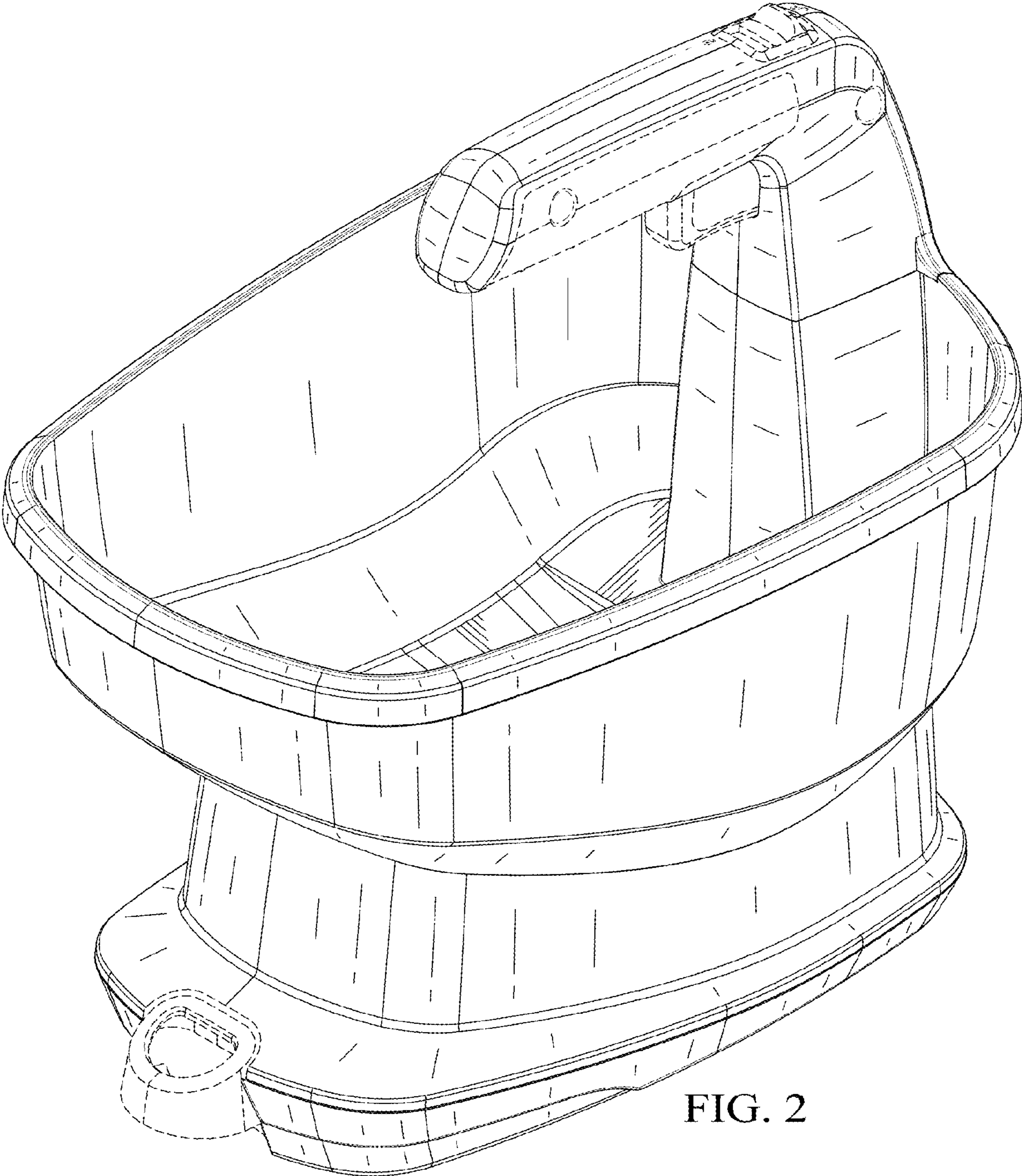


FIG. 2

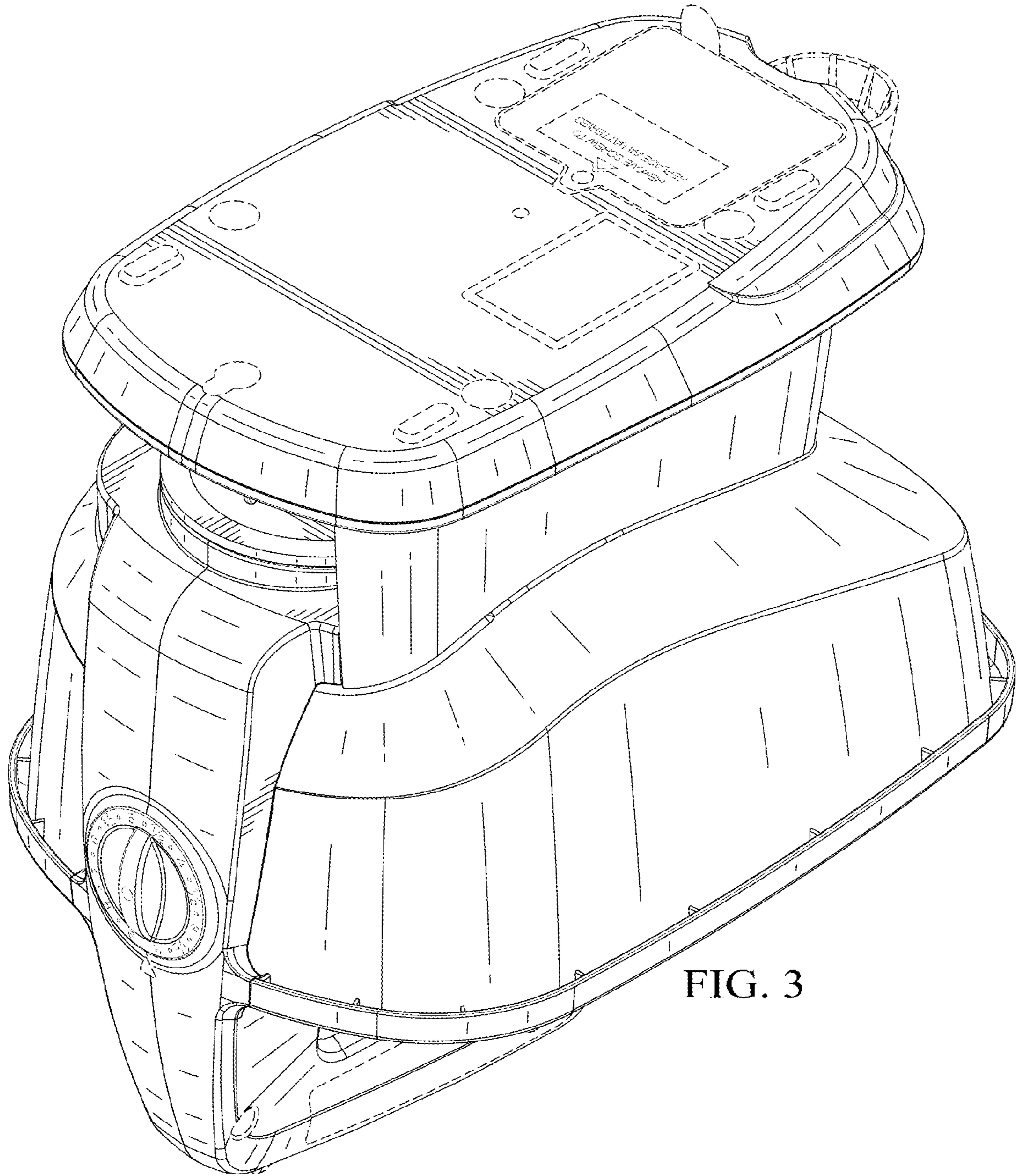


FIG. 3

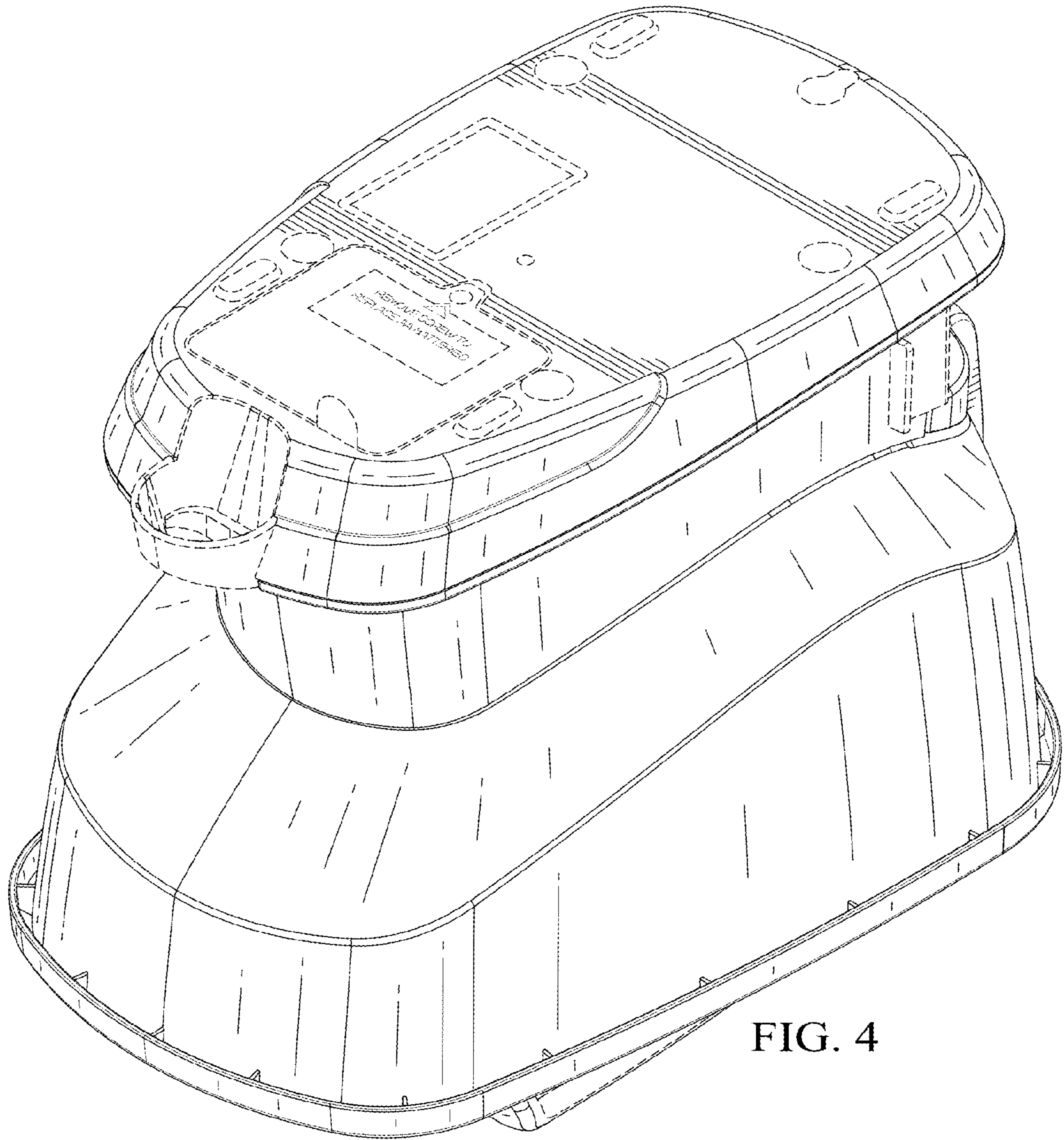


FIG. 4

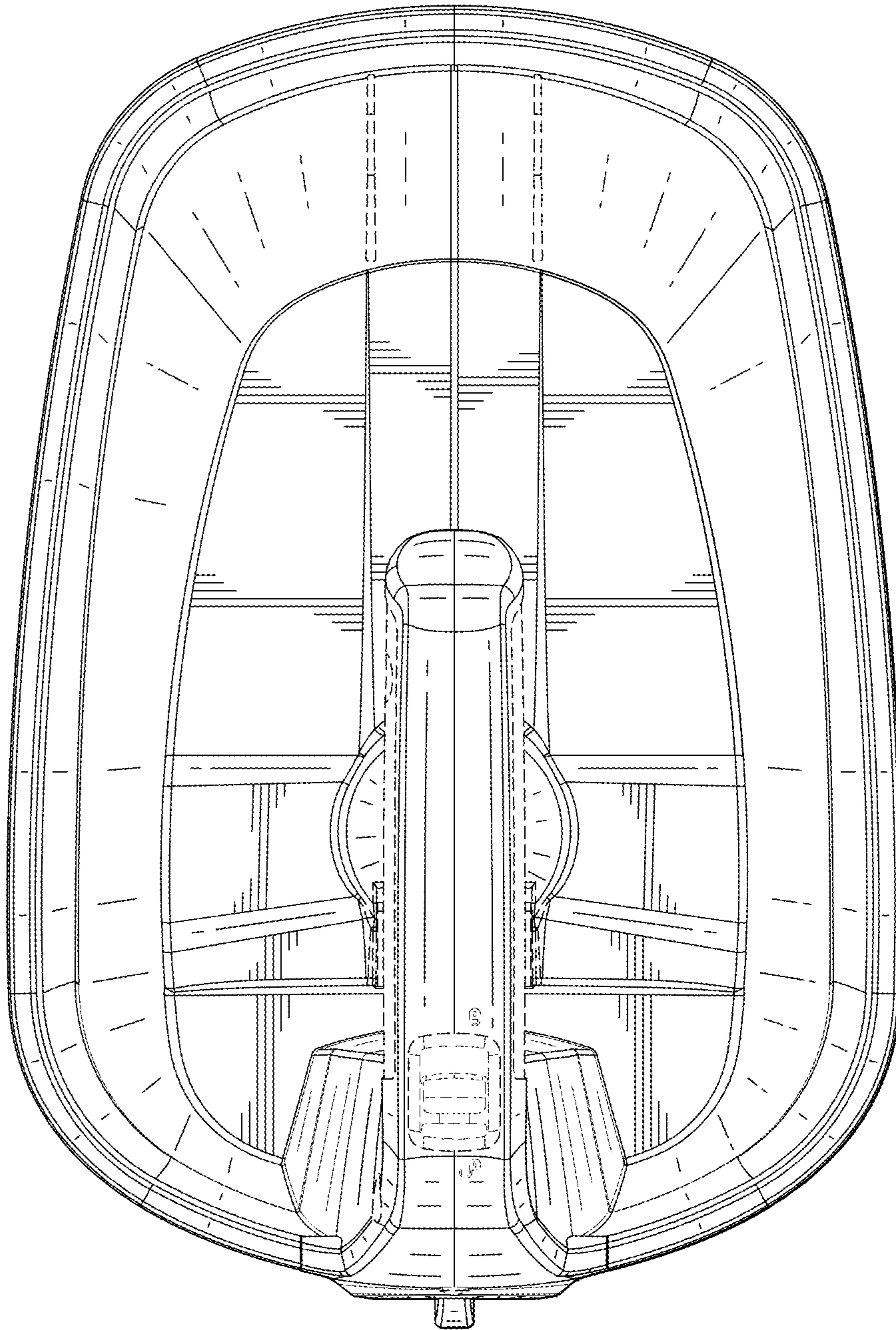


FIG. 5

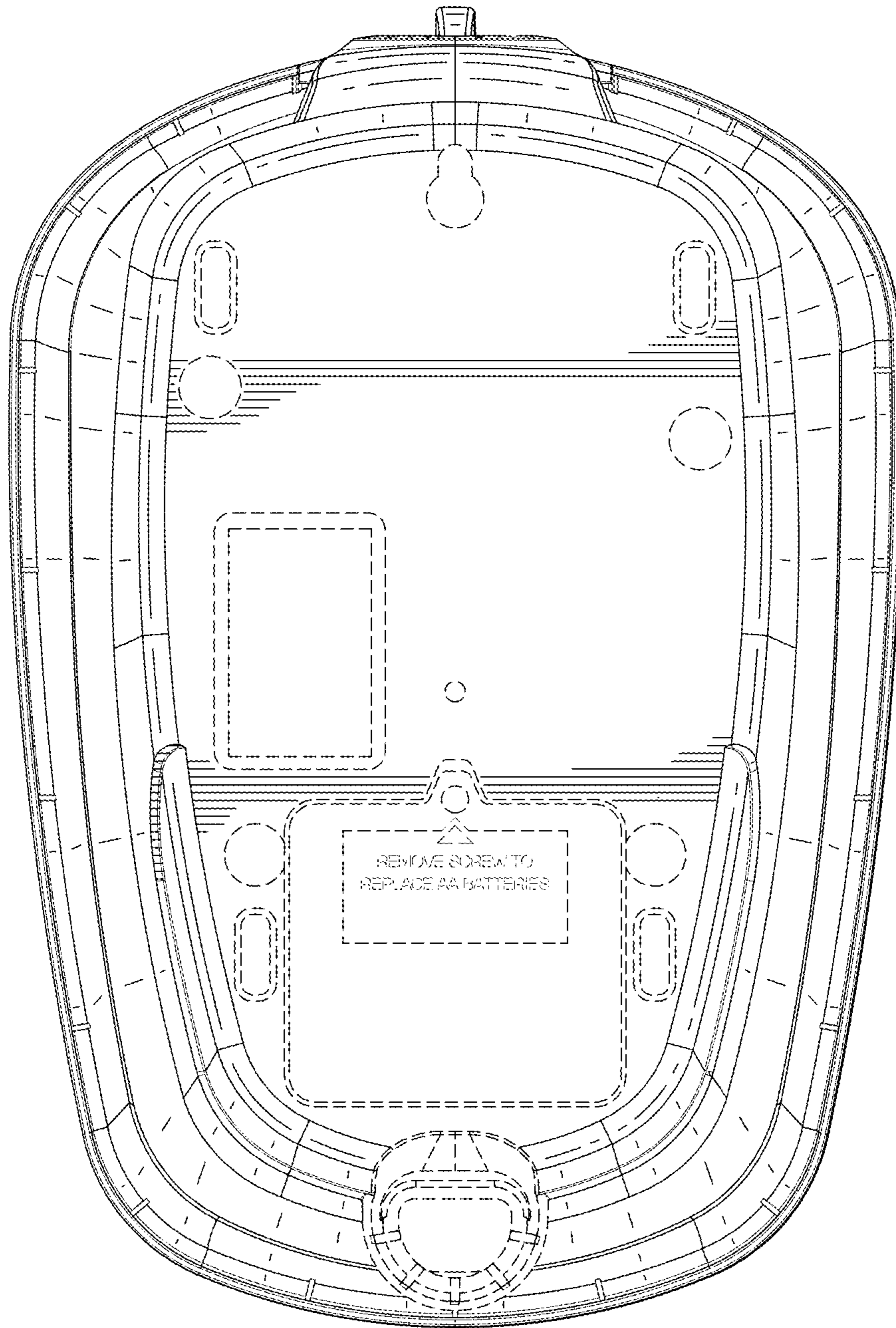


FIG. 6

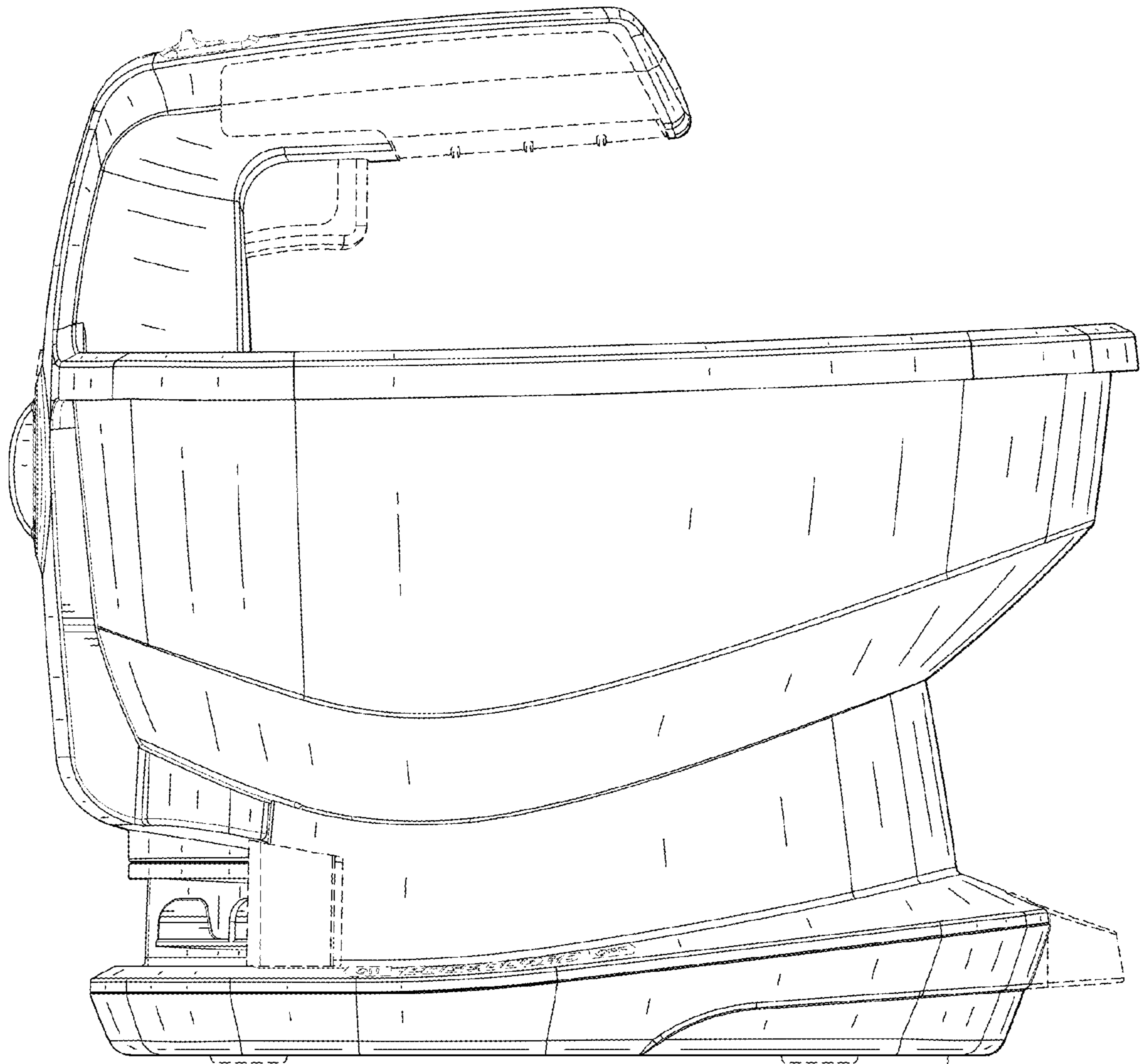


FIG. 7

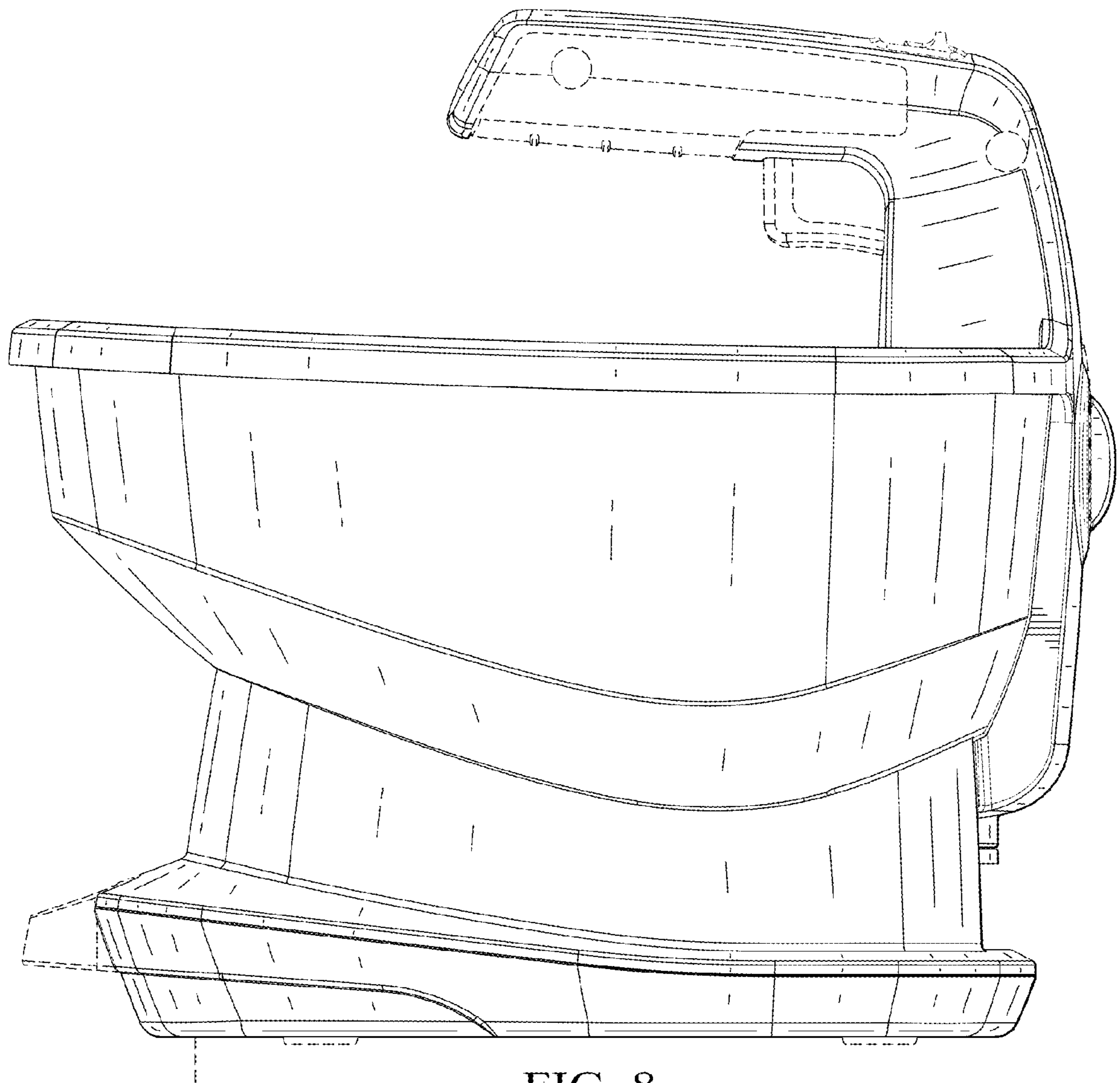


FIG. 8

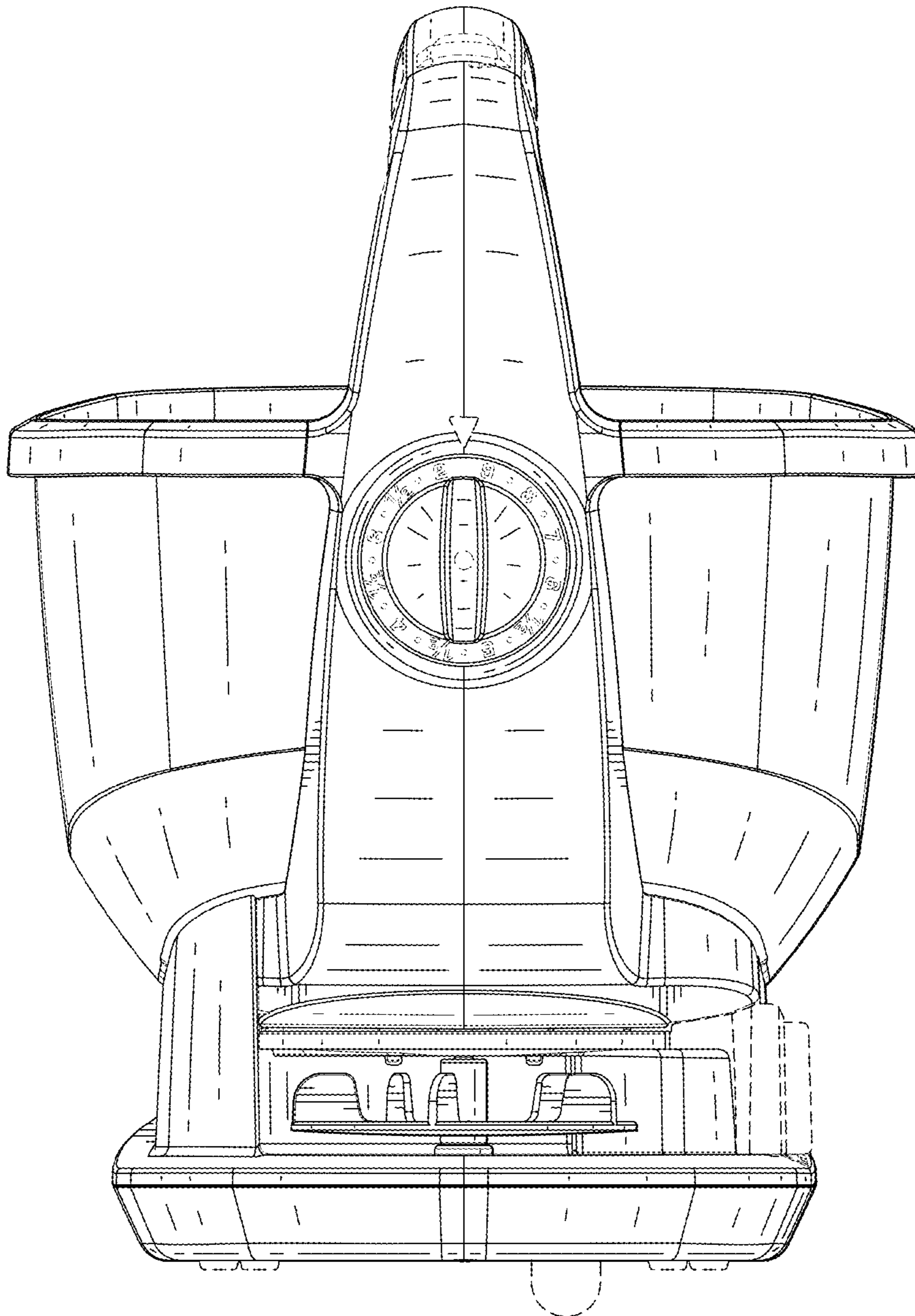


FIG. 9

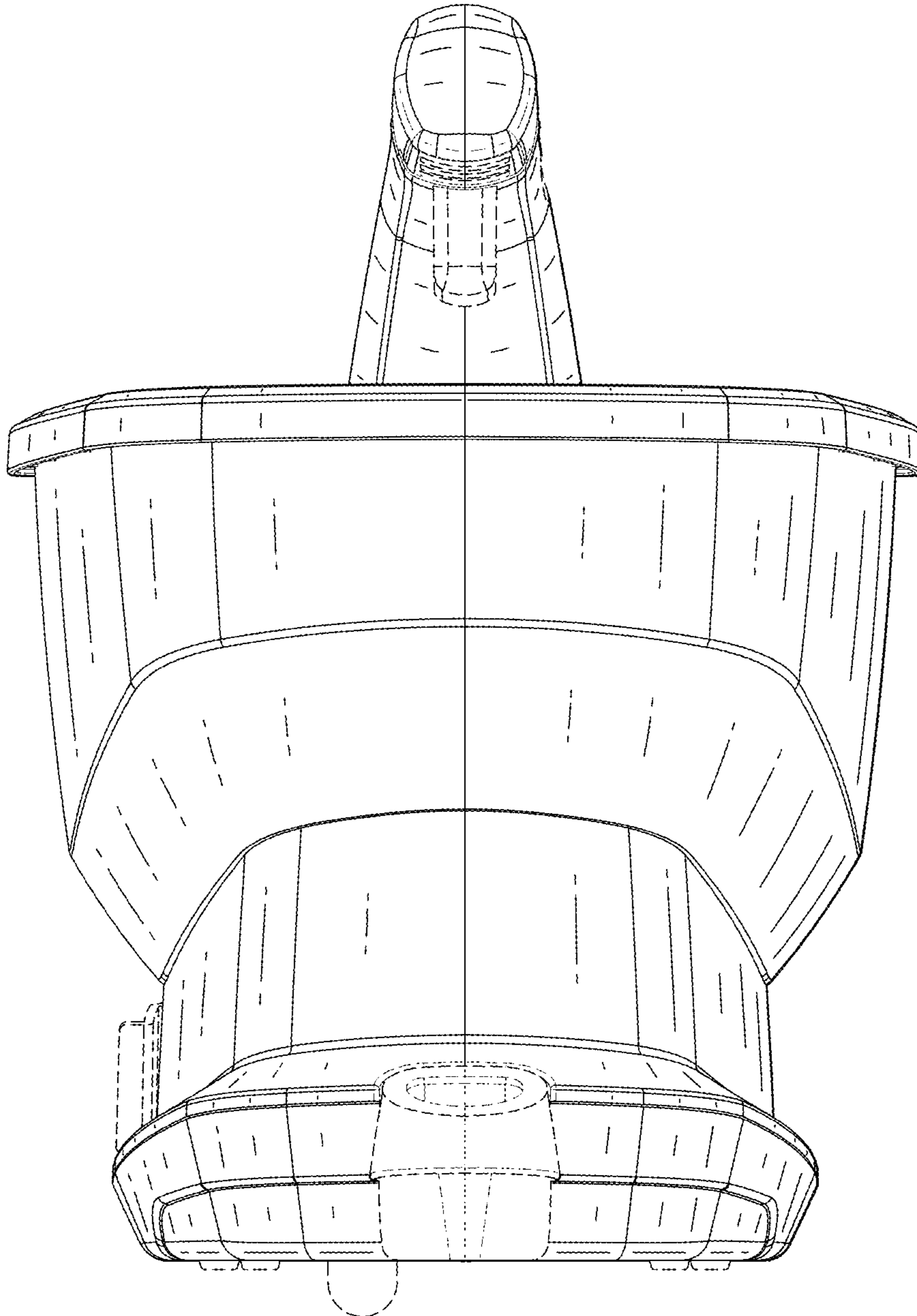


FIG. 10

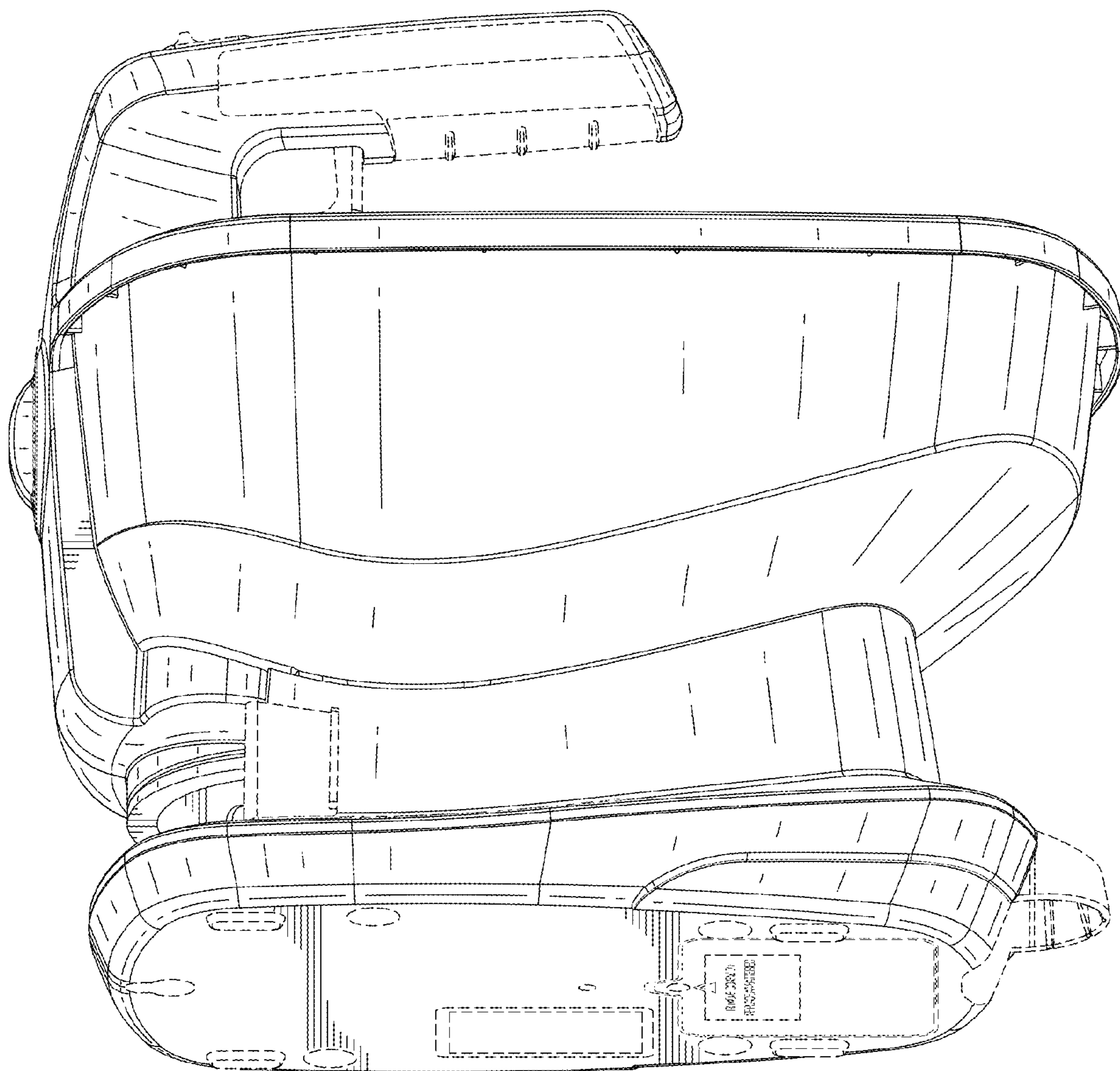


FIG. 11

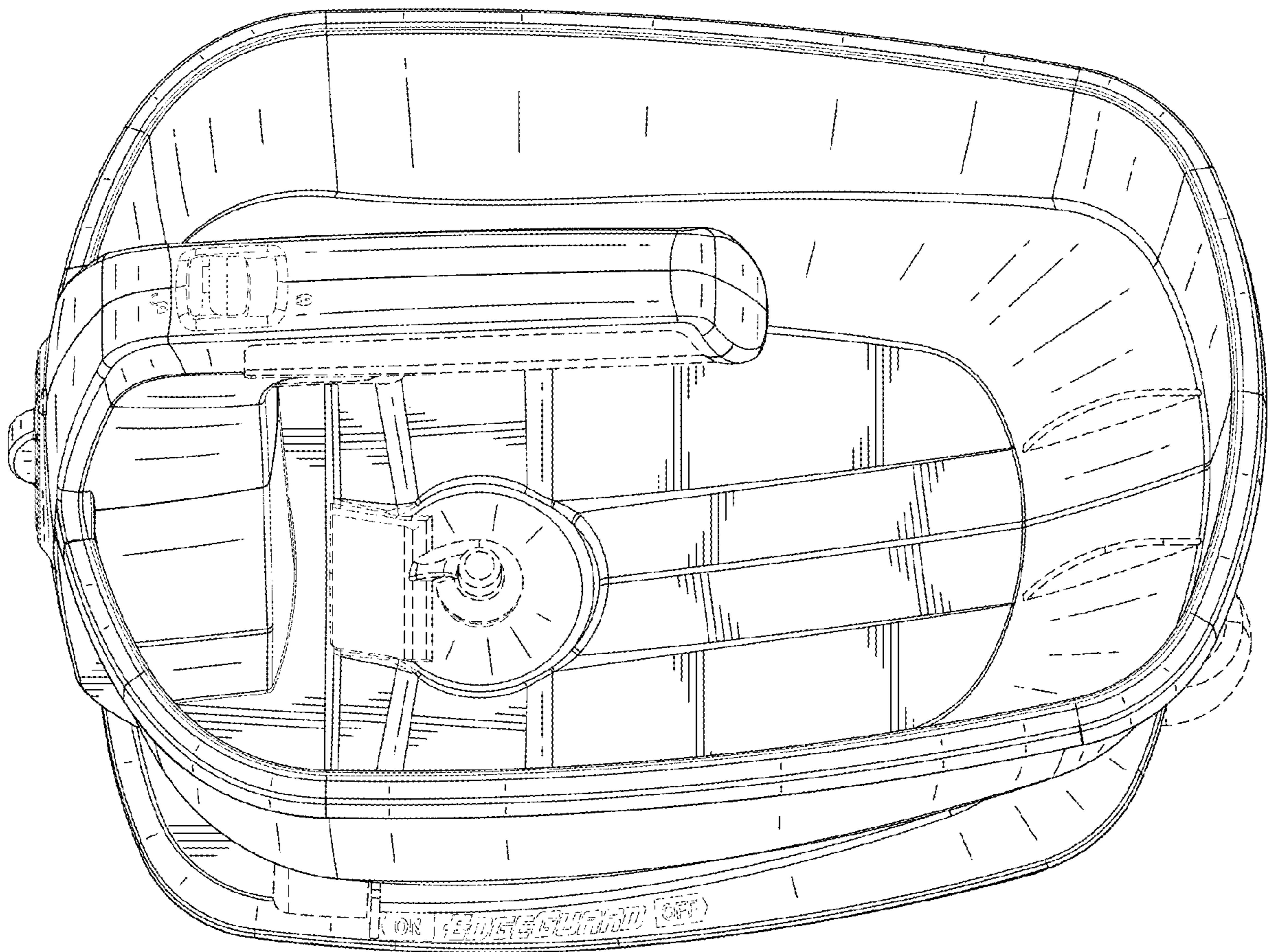


FIG. 12

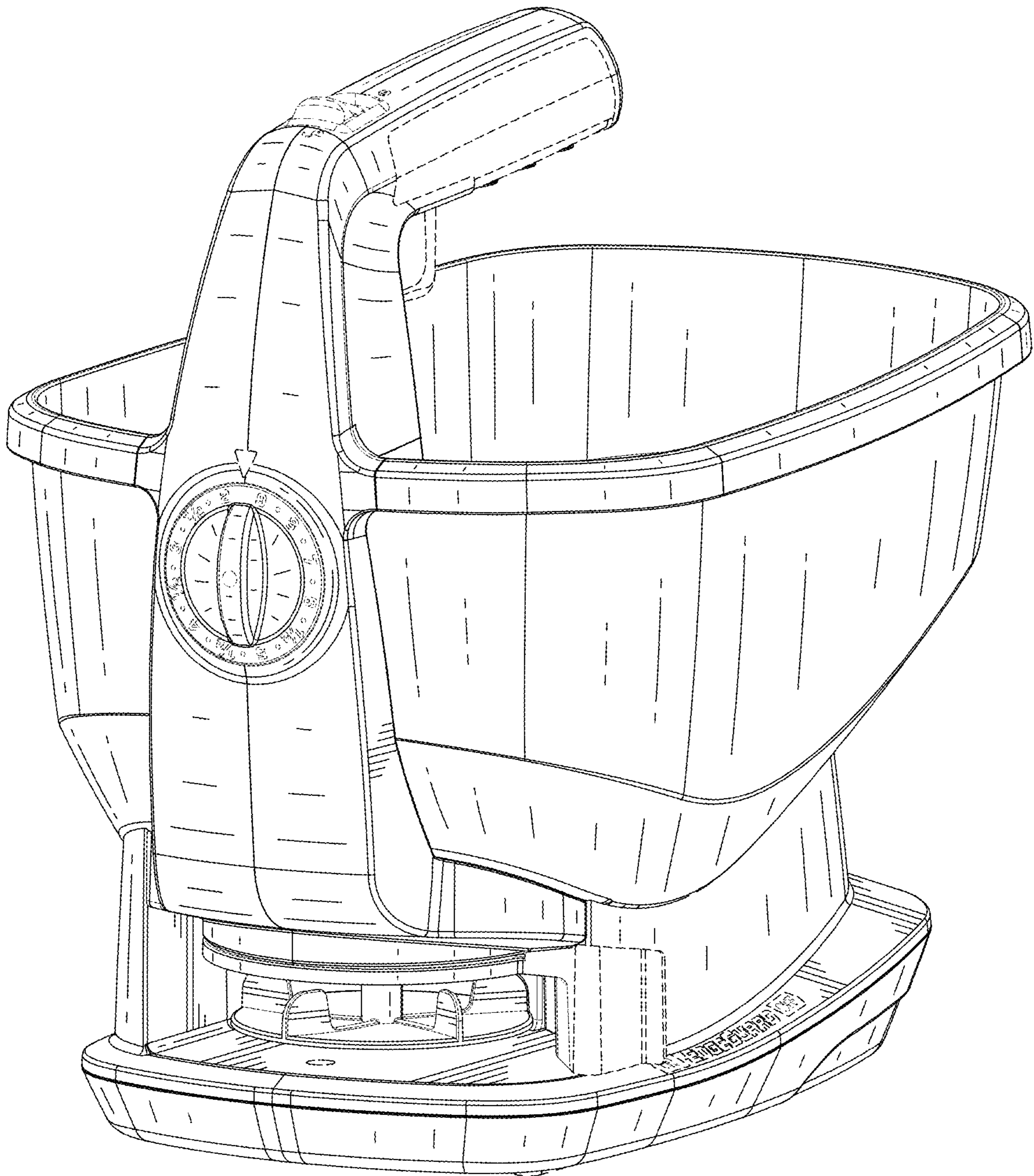


FIG. 13