



US00D893269S

(12) **United States Design Patent Booth** (10) **Patent No.: US D893,269 S**
(45) **Date of Patent: ** Aug. 18, 2020**

(54) **CUTTING BOARD WITH DETACHABLE EASEL**
(71) Applicant: **Michael Harrison Booth**, Martinez, CA (US)
(72) Inventor: **Michael Harrison Booth**, Martinez, CA (US)
(**) Term: **15 Years**
(21) Appl. No.: **29/691,825**
(22) Filed: **May 20, 2019**
(51) **LOC (12) Cl.** **07-04**
(52) **U.S. Cl.**
USPC **D7/698**
(58) **Field of Classification Search**
USPC D6/300, 406.6, 635; D7/388, 543, 549, D7/550.1, 586, 698-699; D13/107; D14/447; D32/55-57
CPC A22C 25/06; A47J 47/00; A47J 47/005; A47J 47/20; B26D 1/25; B26D 7/0006; B26D 7/018; B26D 7/20; B23D 21/00; B23K 37/04; B23K 37/053; B23Q 16/001; B28D 1/047
See application file for complete search history.

5,386,978 A * 2/1995 Ladwig A47J 47/005
269/289 R
6,722,241 B1 * 4/2004 Anayas A47J 47/005
83/449
D505,803 S * 6/2005 Mason D6/406.6
D517,328 S * 3/2006 Thrall D6/300
D616,700 S * 6/2010 Pourounidis D7/388
D632,122 S * 2/2011 Foster D6/635
D655,140 S * 3/2012 Saunders D7/698
D737,829 S * 9/2015 Lee D14/447
D805,471 S * 12/2017 Fluckiger D13/107

* cited by examiner

Primary Examiner — Ricky Pham
(74) *Attorney, Agent, or Firm* — Dunlap Bennett & Ludwig, PLLC; Brendan E. Squire

(57) **CLAIM**

The ornamental design for a cutting board with detachable easel, as shown and described.

DESCRIPTION

FIG. 1 is a perspective view of the cutting board with detachable easel showing my new design;
FIG. 2 is a perspective view thereof in-use;
FIG. 3 is an exploded perspective view thereof;
FIG. 4 is another exploded perspective view thereof;
FIG. 5 is a perspective thereof in a stacked configuration;
FIG. 6 is a right side elevation view thereof;
FIG. 7 is a left elevation view thereof;
FIG. 8 is a front elevation view thereof;
FIG. 9 is a back elevation view thereof;
FIG. 10 is a top plan view thereof; and,
FIG. 11 is a bottom plan view thereof.

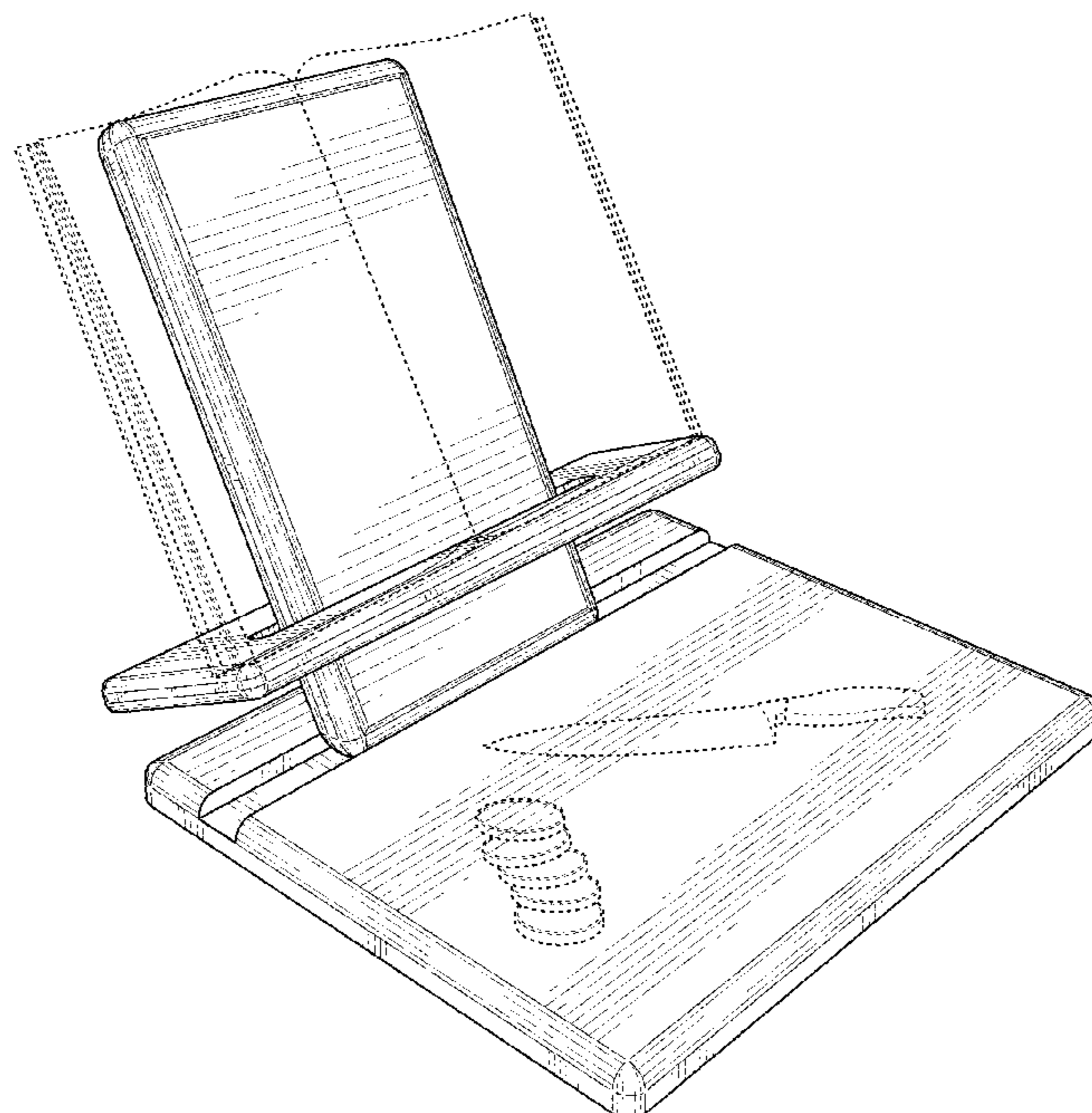
The broken lines in the drawings showing the cutting board with detachable easel in use illustrate environment and forms no part of the claim.

1 Claim, 9 Drawing Sheets

(56) **References Cited**

U.S. PATENT DOCUMENTS

3,971,273 A * 7/1976 Peters B26D 1/25
83/42
4,924,843 A * 5/1990 Waren B28D 1/047
125/35
4,977,644 A * 12/1990 Evans A22C 25/06
269/258
D348,591 S * 7/1994 Willis D7/673



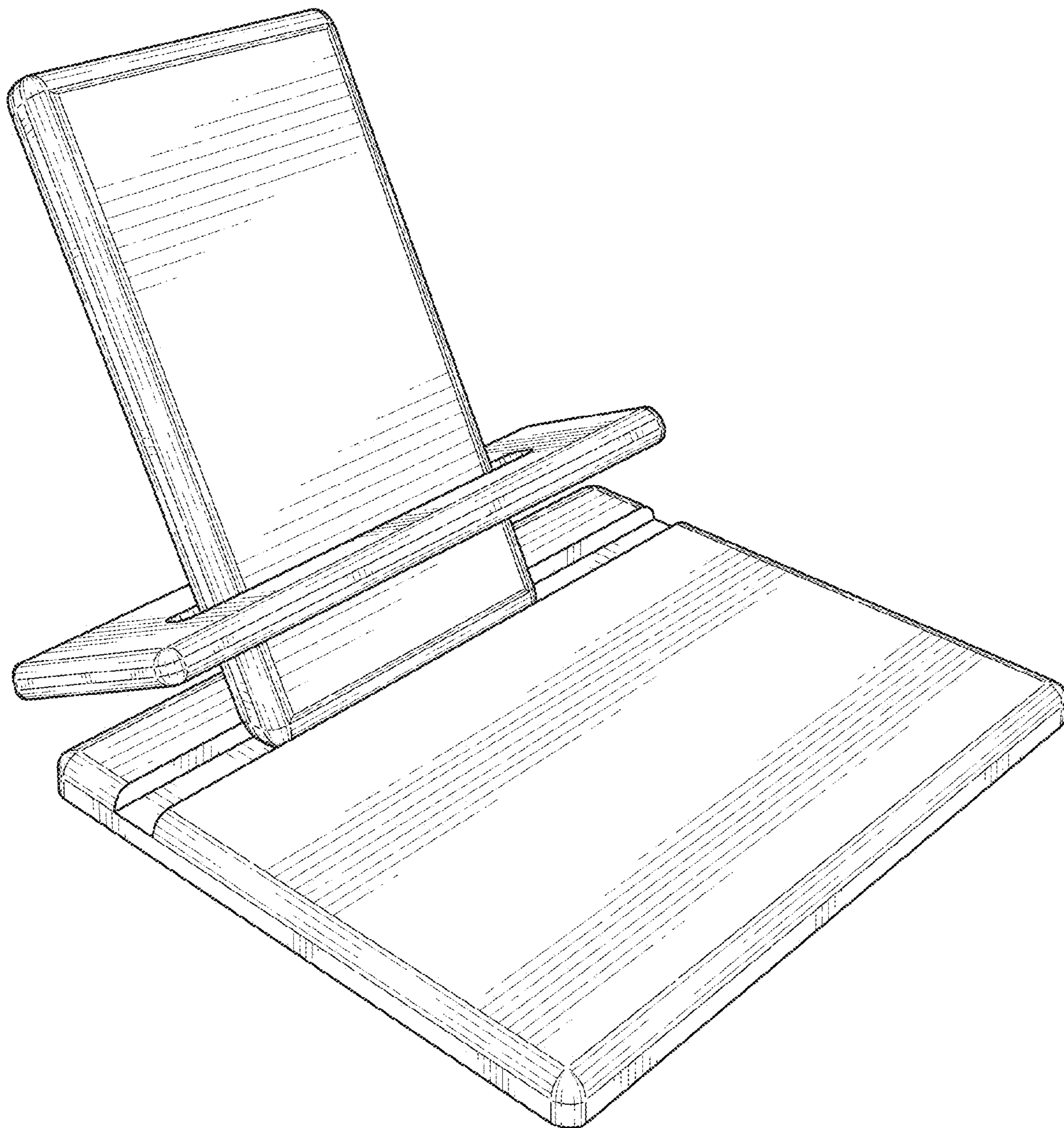


FIG. 1

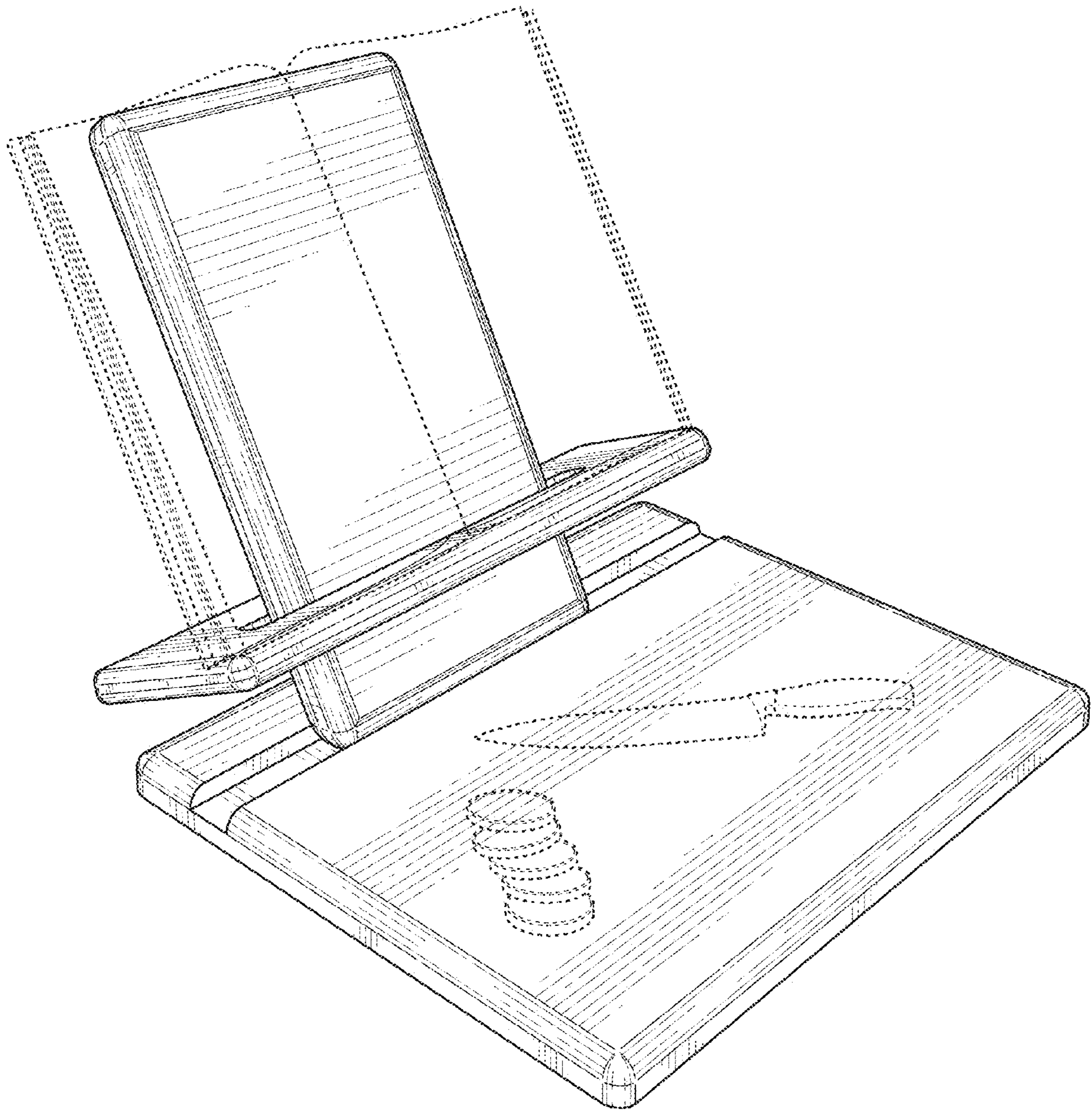


FIG. 2

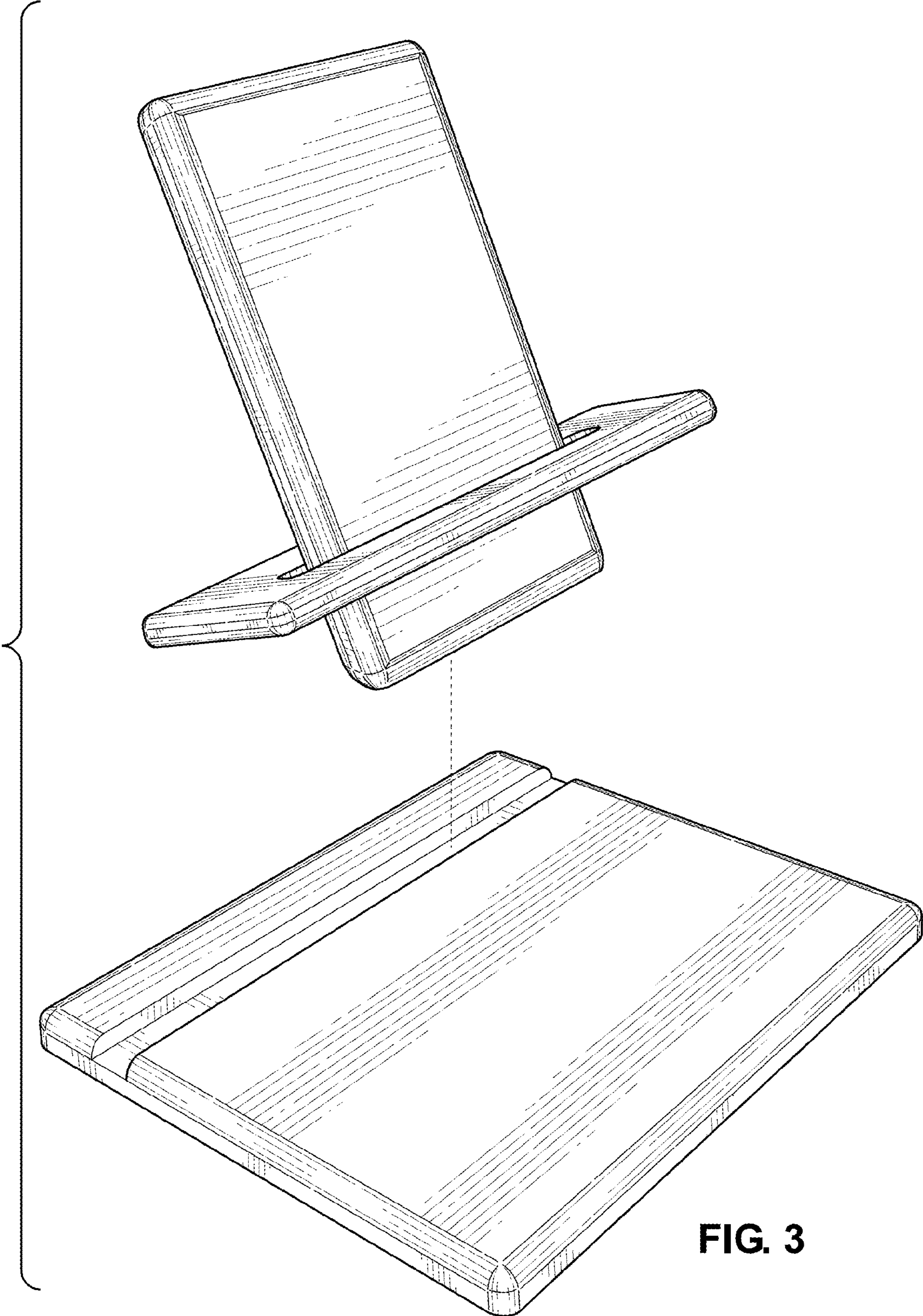


FIG. 3

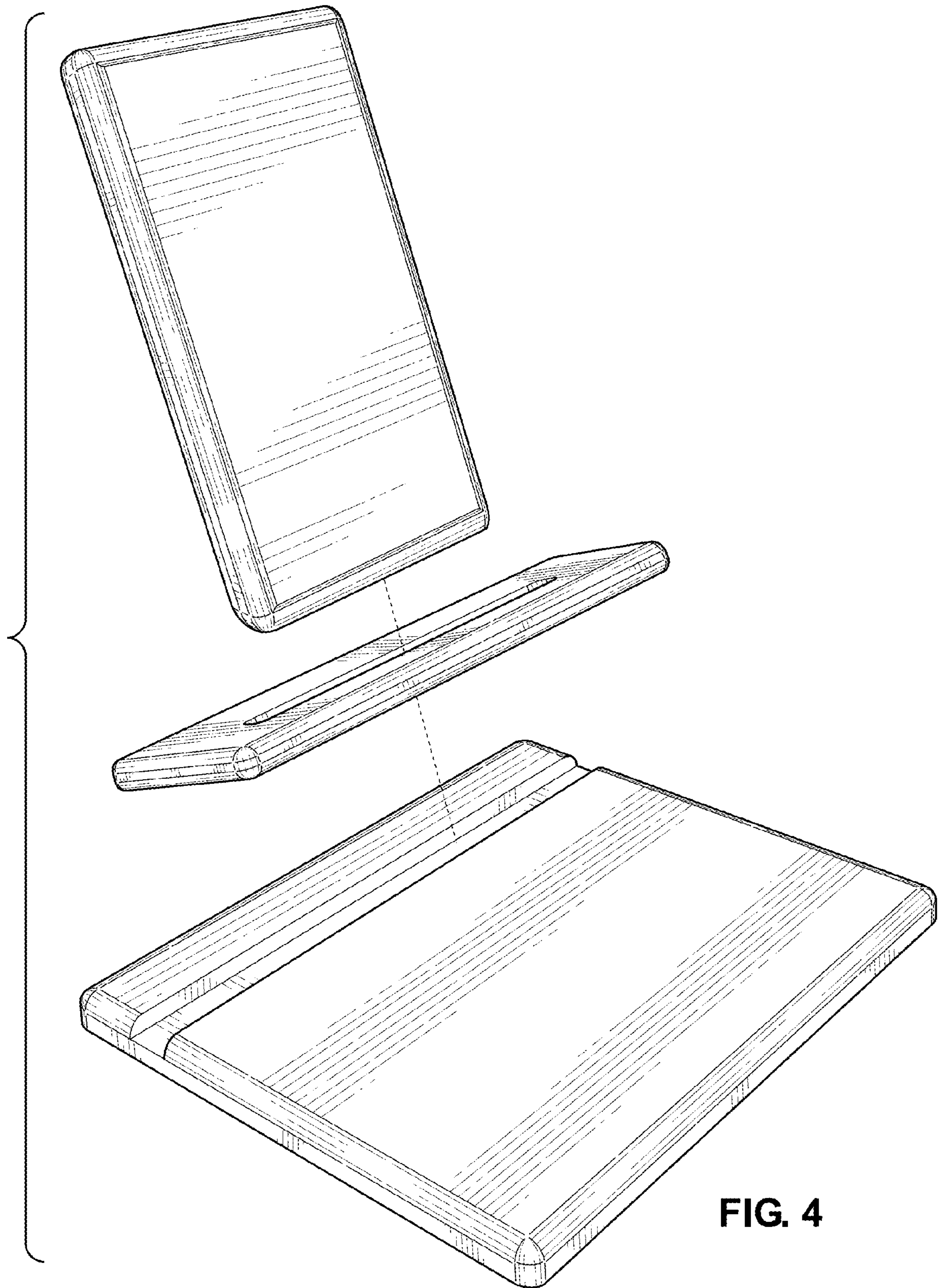


FIG. 4

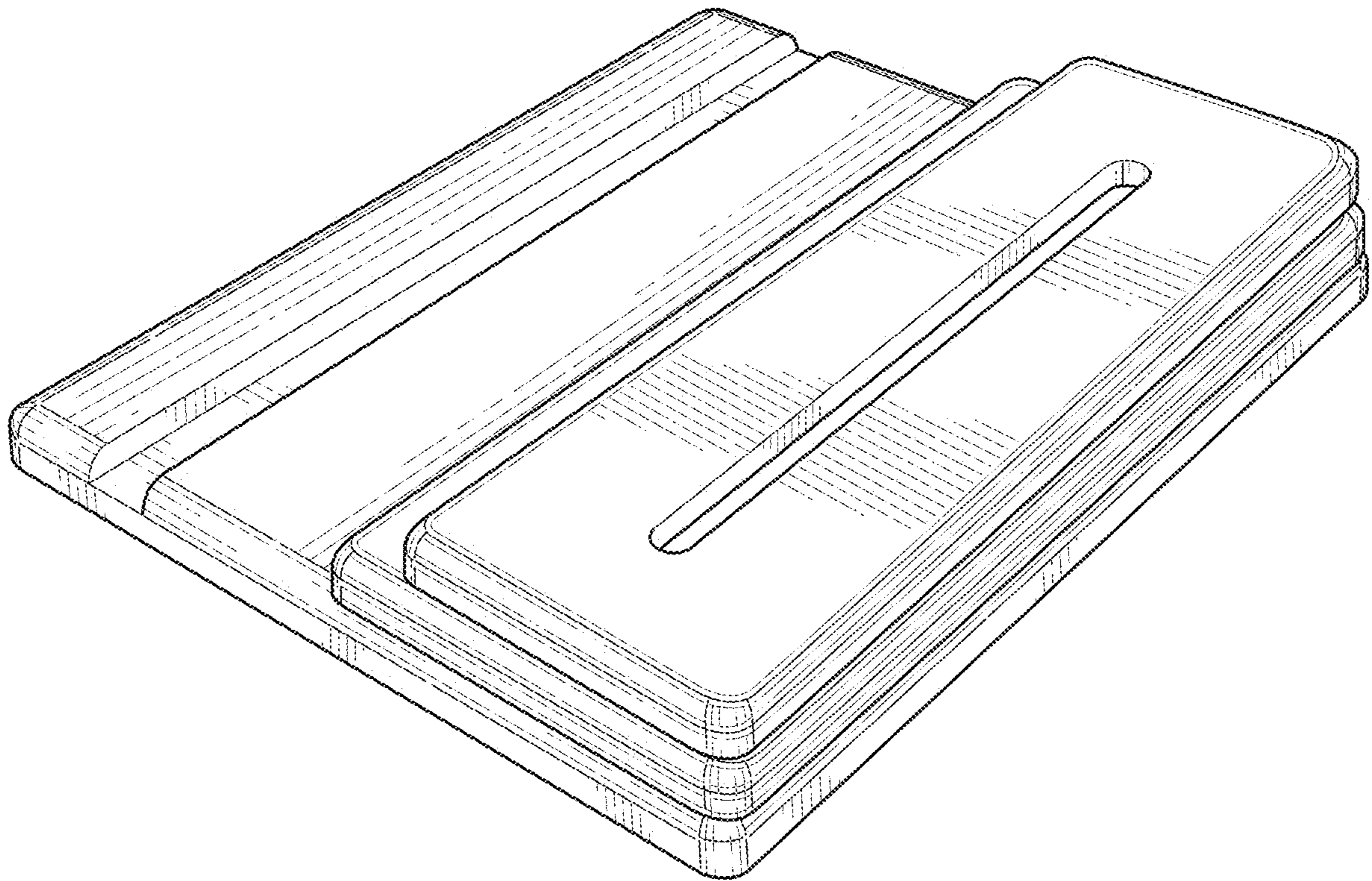


FIG. 5

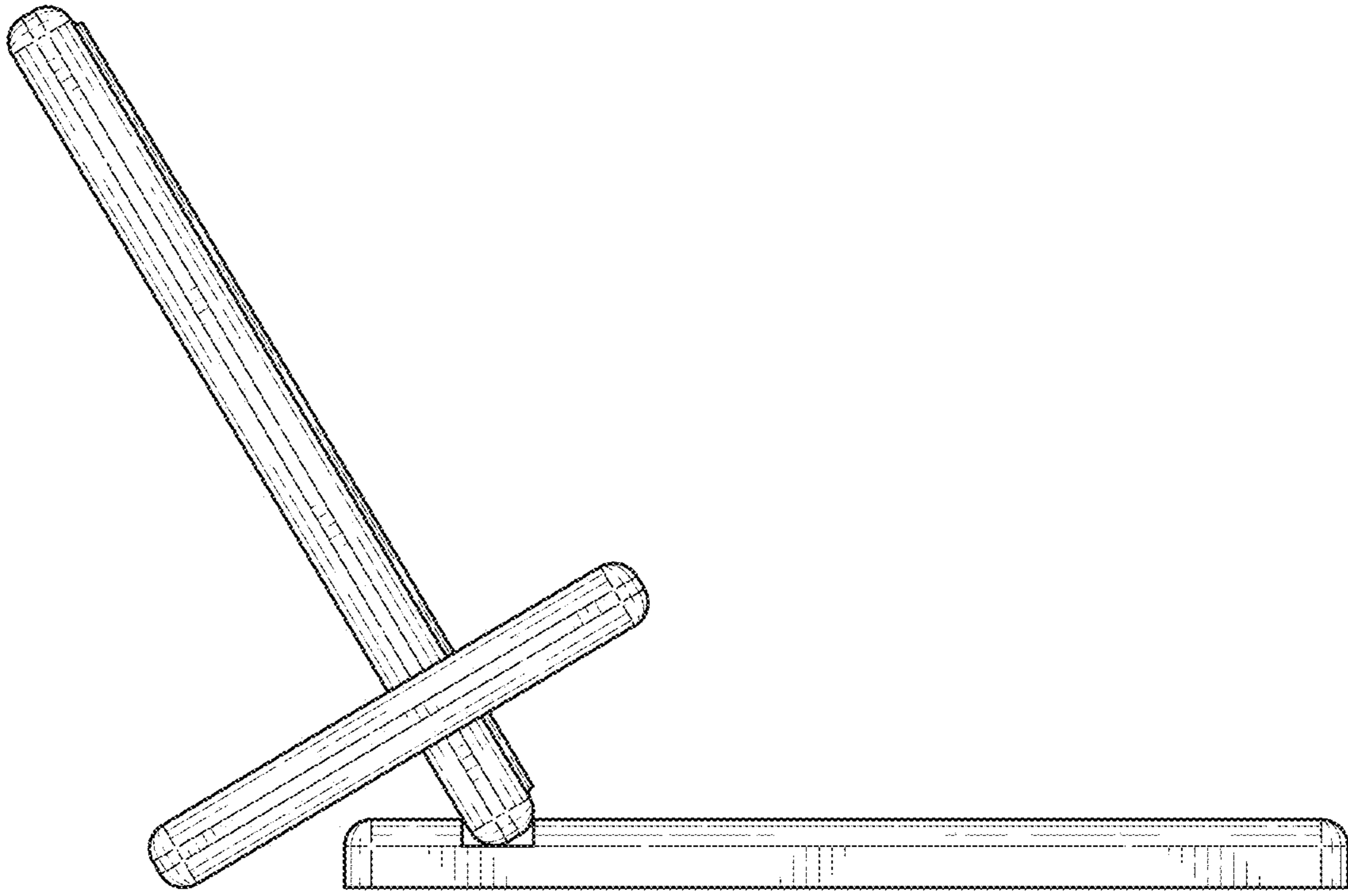


FIG. 6

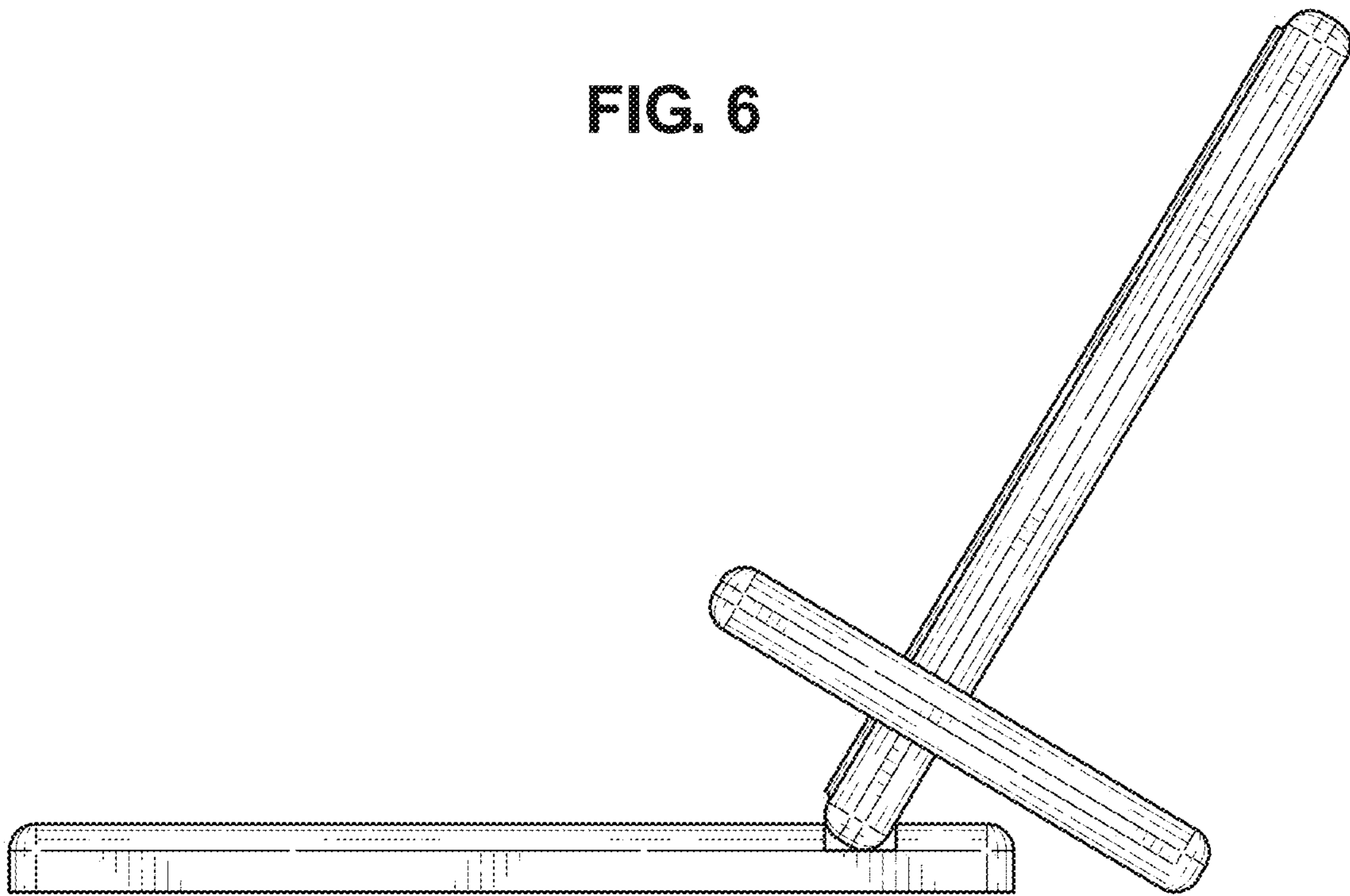


FIG. 7

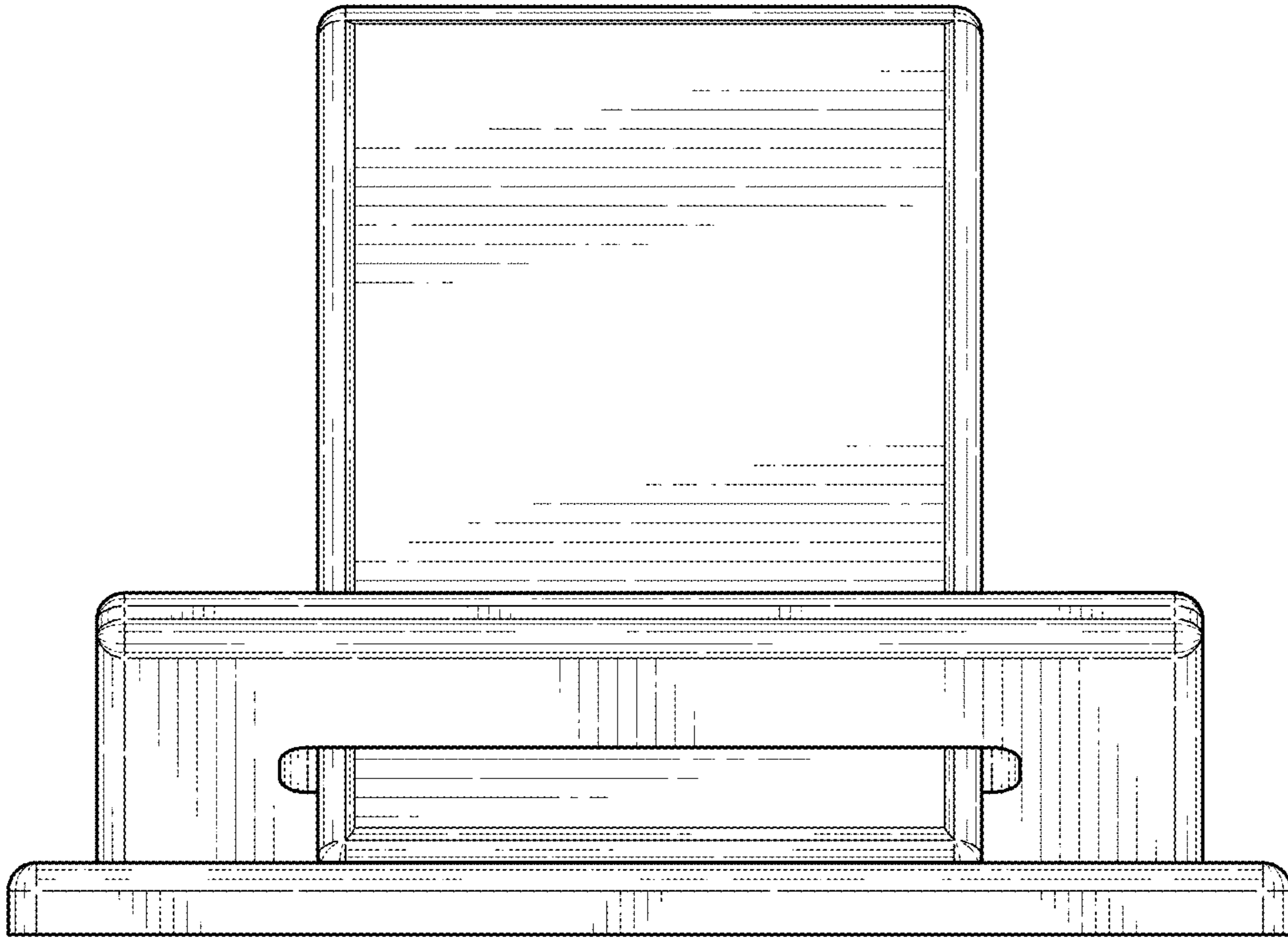


FIG. 8

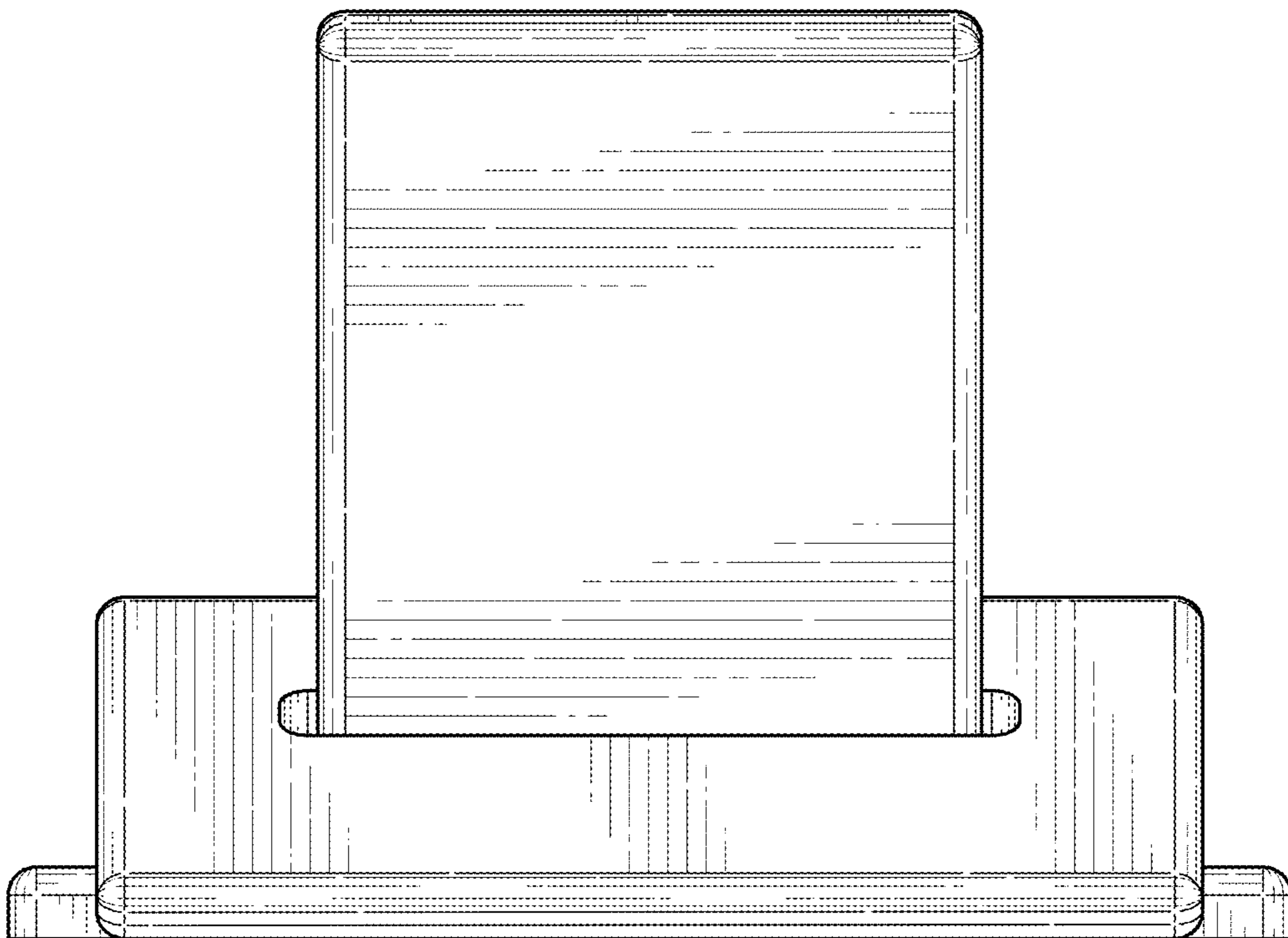


FIG. 9

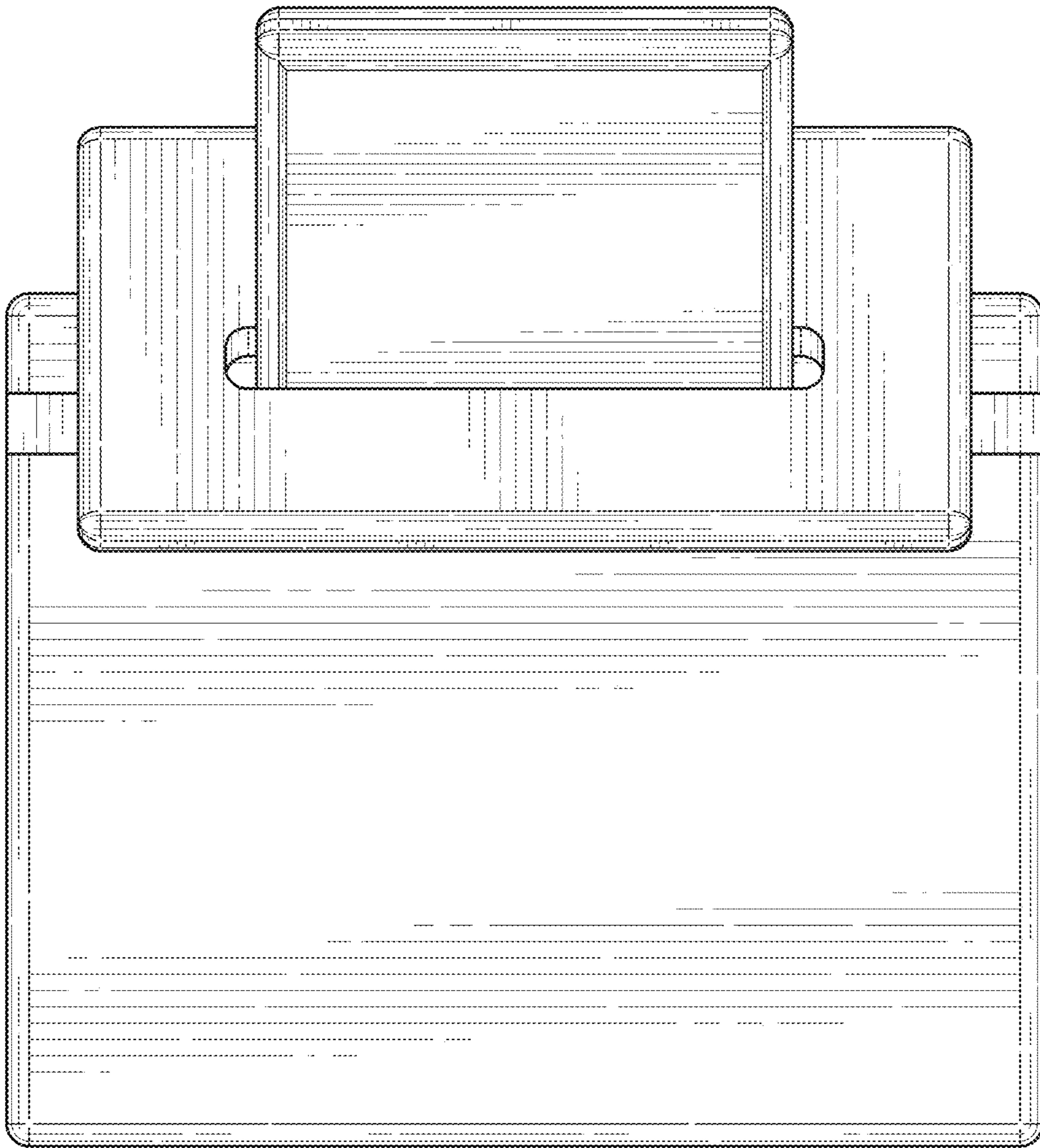


FIG. 10

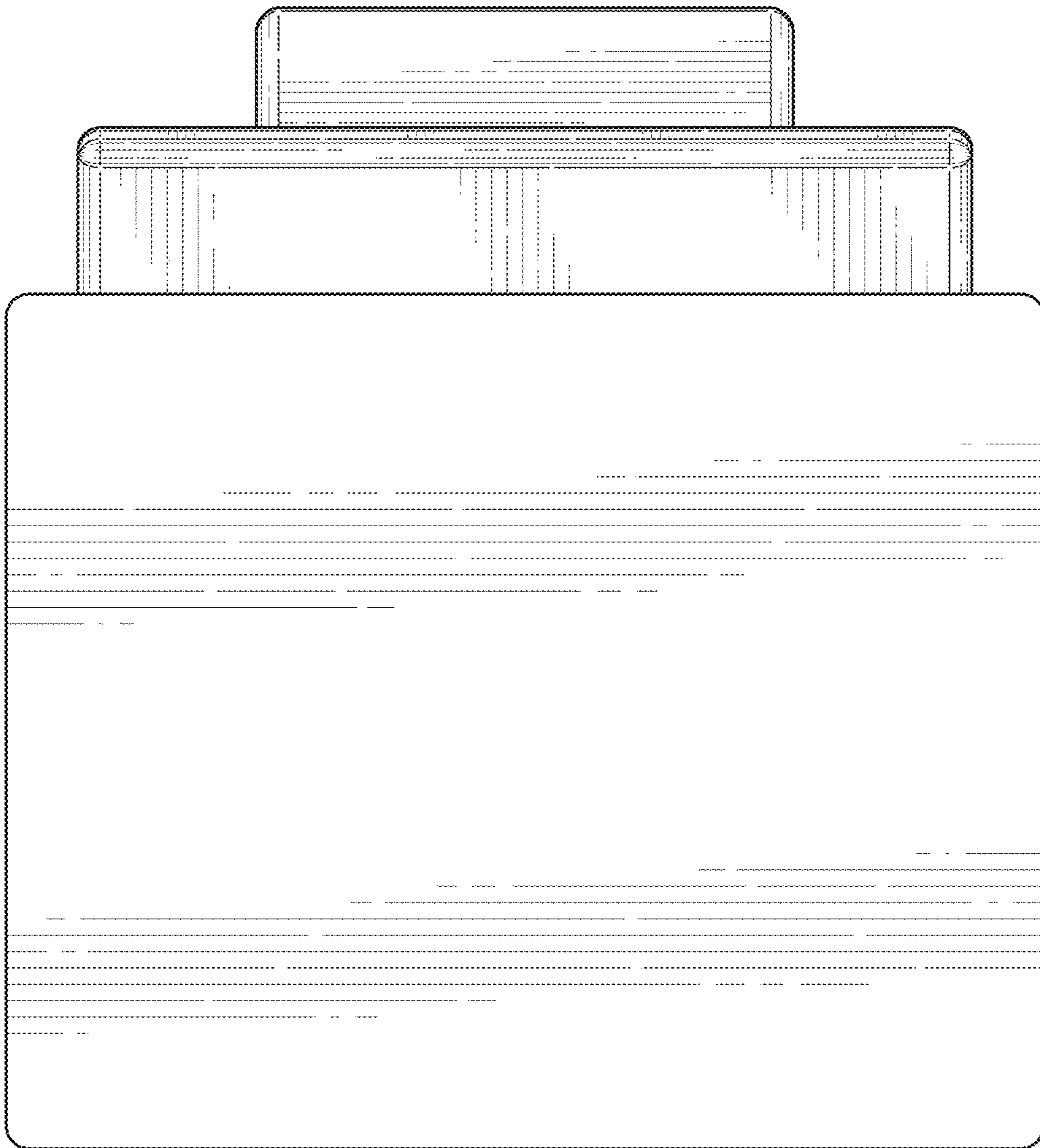


FIG. 11