



US00D893268S

(12) **United States Design Patent**
Hansen

(10) **Patent No.:** **US D893,268 S**

(45) **Date of Patent:** **** Aug. 18, 2020**

(54) **ELECTRICALLY HEATED ICE CREAM SCOOP**

(71) Applicant: **David L. Hansen**, Riverton, UT (US)

(72) Inventor: **David L. Hansen**, Riverton, UT (US)

(**) Term: **15 Years**

(21) Appl. No.: **29/673,764**

(22) Filed: **Dec. 18, 2018**

(51) **LOC (12) Cl.** **07-99**

(52) **U.S. Cl.**
USPC **D7/681**

(58) **Field of Classification Search**
USPC D7/680-696, 393, 395
CPC F24B 15/06; A23P 1/105; A47J 43/282;
A21C 5/00; A23G 9/287; A23G 9/283;
A47F 13/08

See application file for complete search history.

(56) **References Cited**

U.S. PATENT DOCUMENTS

2,351,568	A *	6/1944	Wheaton	C25D 1/00 205/73
3,299,838	A *	1/1967	Thietje	A47J 43/282 425/279
3,476,059	A *	11/1969	Anderson	H05B 3/00 425/144
3,598,062	A *	8/1971	Weinstein	A47J 43/282 425/187
4,386,900	A *	6/1983	Sultan	A47J 43/282 219/227
5,000,672	A *	3/1991	Halimi	A47J 43/282 219/227

D332,378	S *	1/1993	Thomas, Jr.	D7/681
D342,867	S *	1/1994	Wong	D7/681
D371,284	S *	7/1996	Reinier, Jr.	D7/681
D391,811	S *	3/1998	Molo	D7/681
D395,986	S *	7/1998	Jones	D7/681
D472,111	S *	3/2003	Shoup	D7/681
6,846,171	B2 *	1/2005	Herbert	A47J 43/282 425/277
D578,840	S *	10/2008	Hansen	D7/681

* cited by examiner

Primary Examiner — Terry A Wallace

(74) *Attorney, Agent, or Firm* — Parsons Behle & Latimer

(57) **CLAIM**

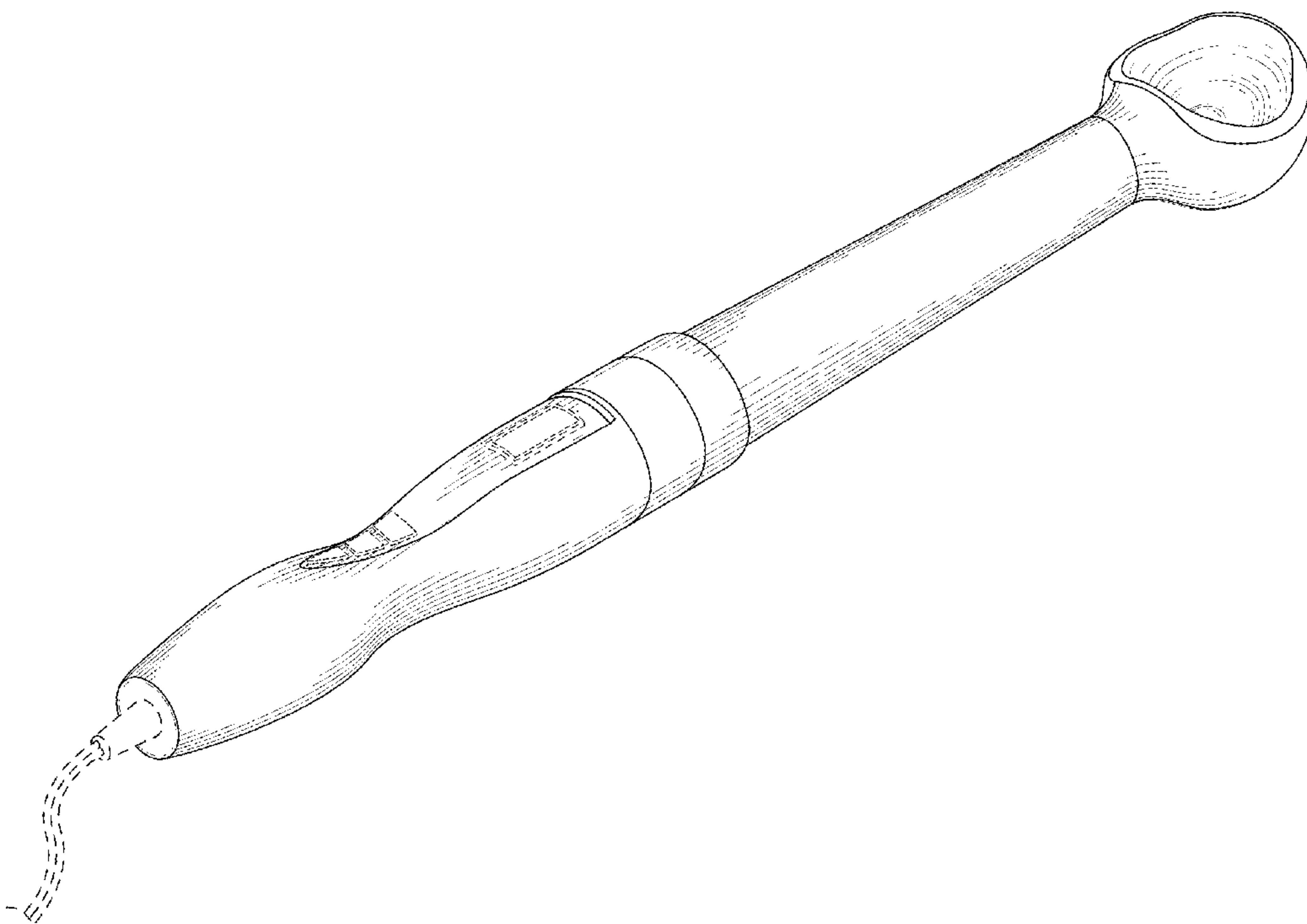
The ornamental design for an electrically heated ice cream scoop, as shown and described.

DESCRIPTION

FIG. 1 is a front perspective view of an electrically heated ice cream scoop embodying the new design; FIG. 2 is a front elevation view thereof; FIG. 3 is a rear elevational view thereof; FIG. 4 is a right side elevational view thereof; FIG. 5 is a left side elevational view thereof; FIG. 6 is a bottom plan view thereof; and, FIG. 7 is a top plan view thereof.

The broken line shown in the drawings are for the purpose of illustrating unclaimed portions of the electrically heated ice cream scoop design and form no part of the claimed design.

1 Claim, 3 Drawing Sheets



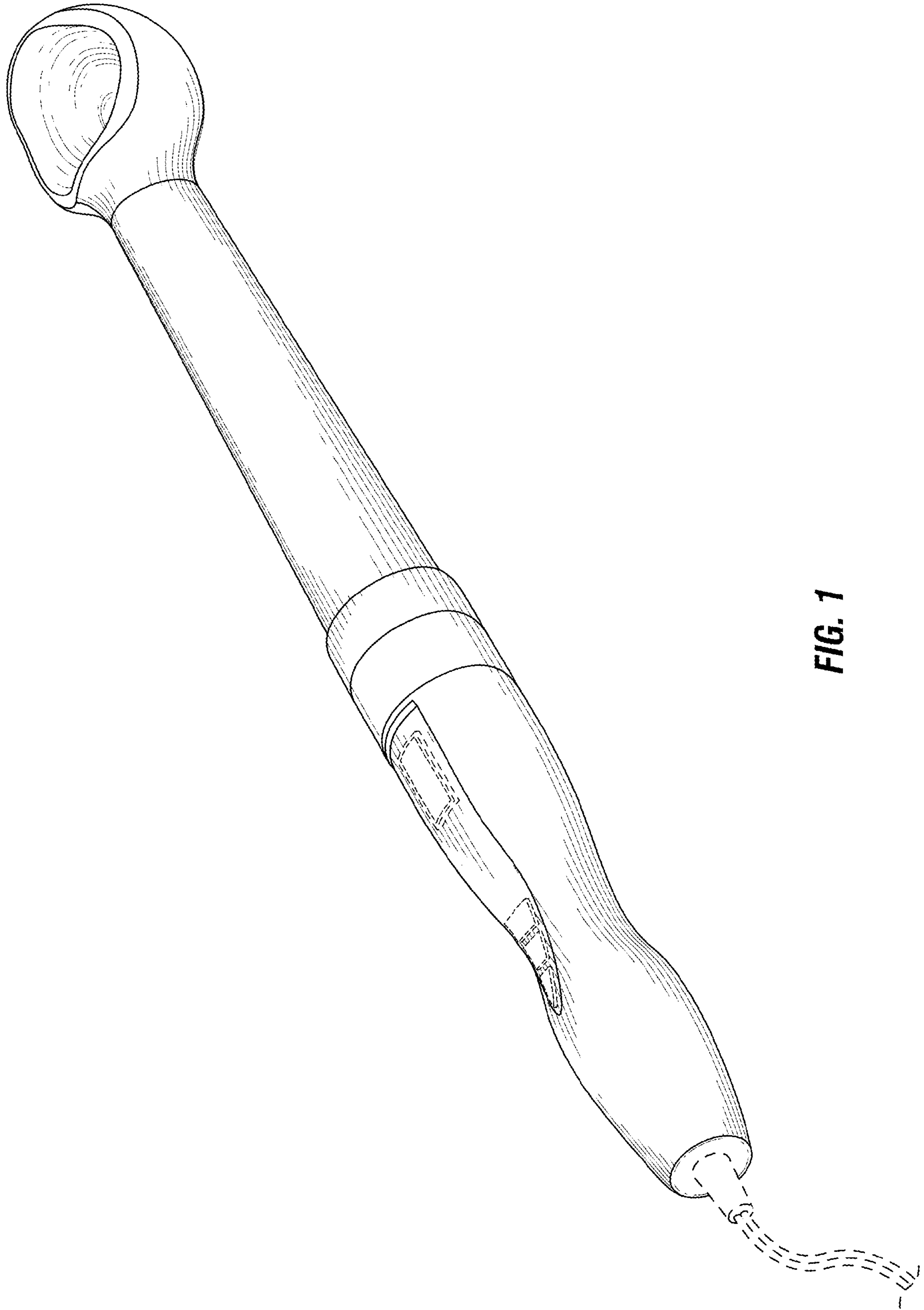


FIG. 1

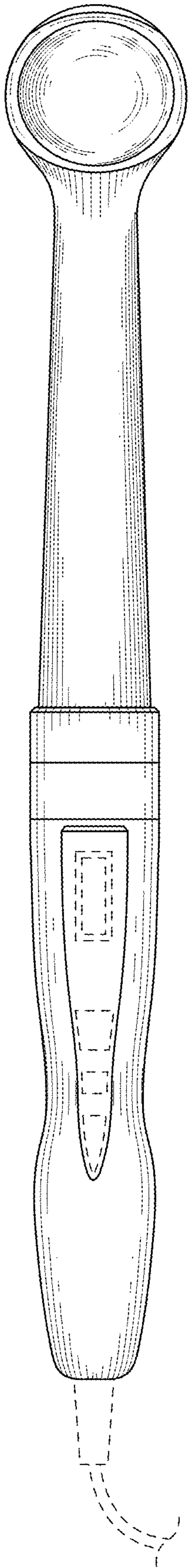


FIG. 2

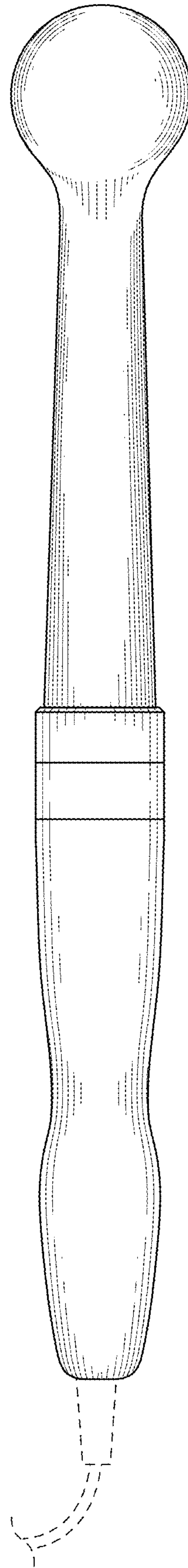


FIG. 3

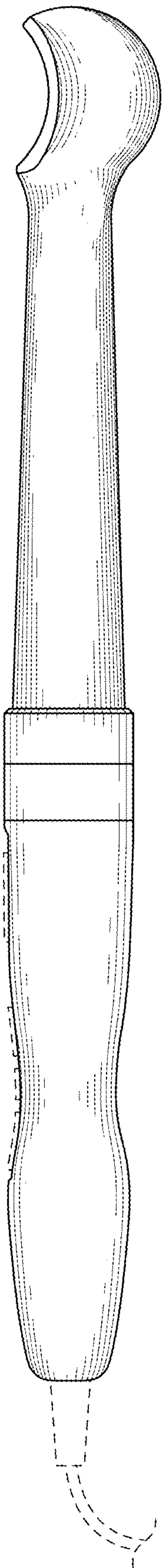


FIG. 4

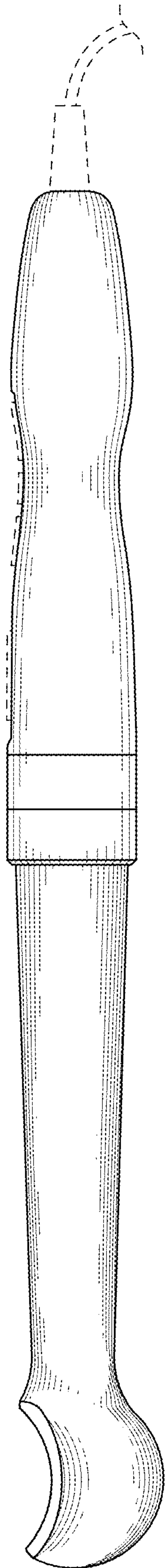


FIG. 5

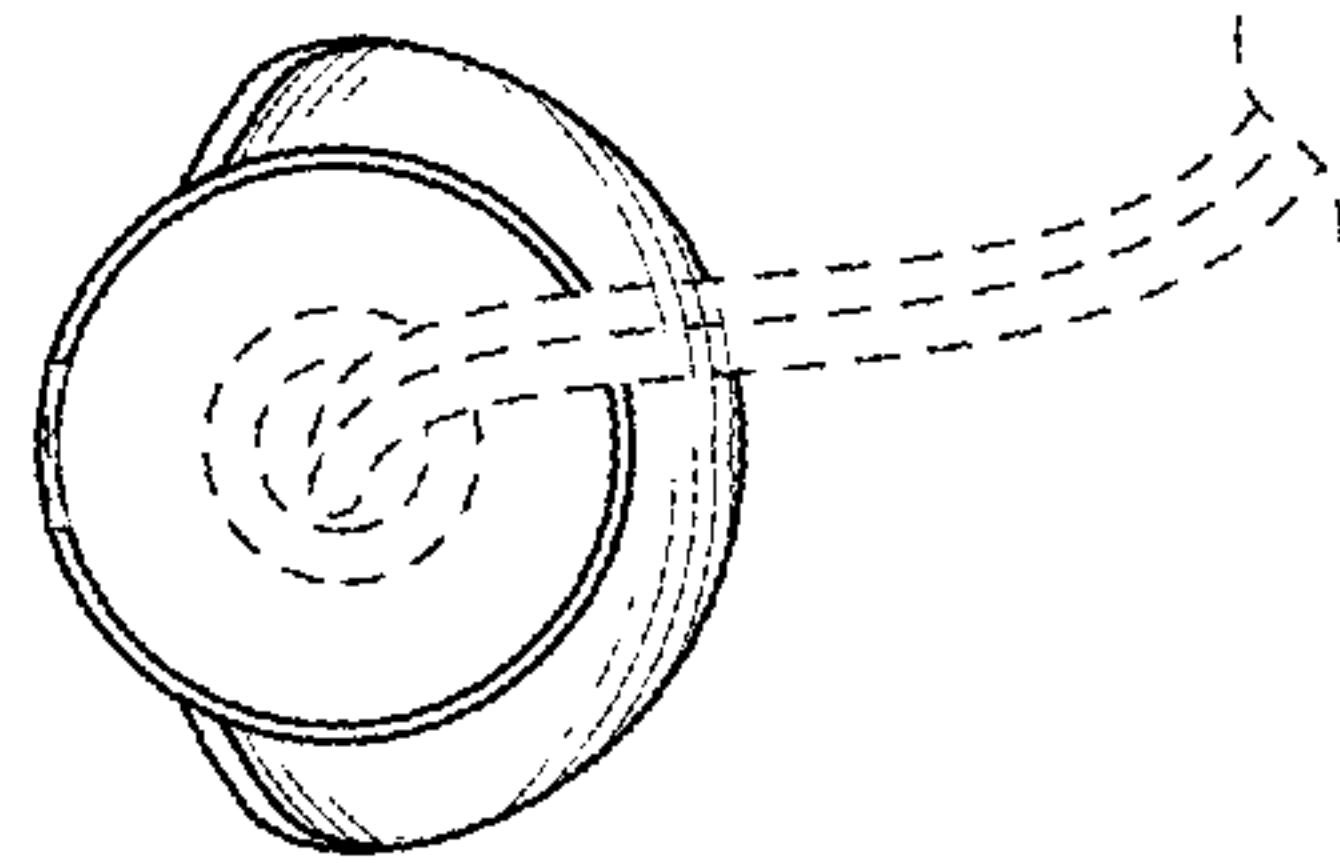


FIG. 6

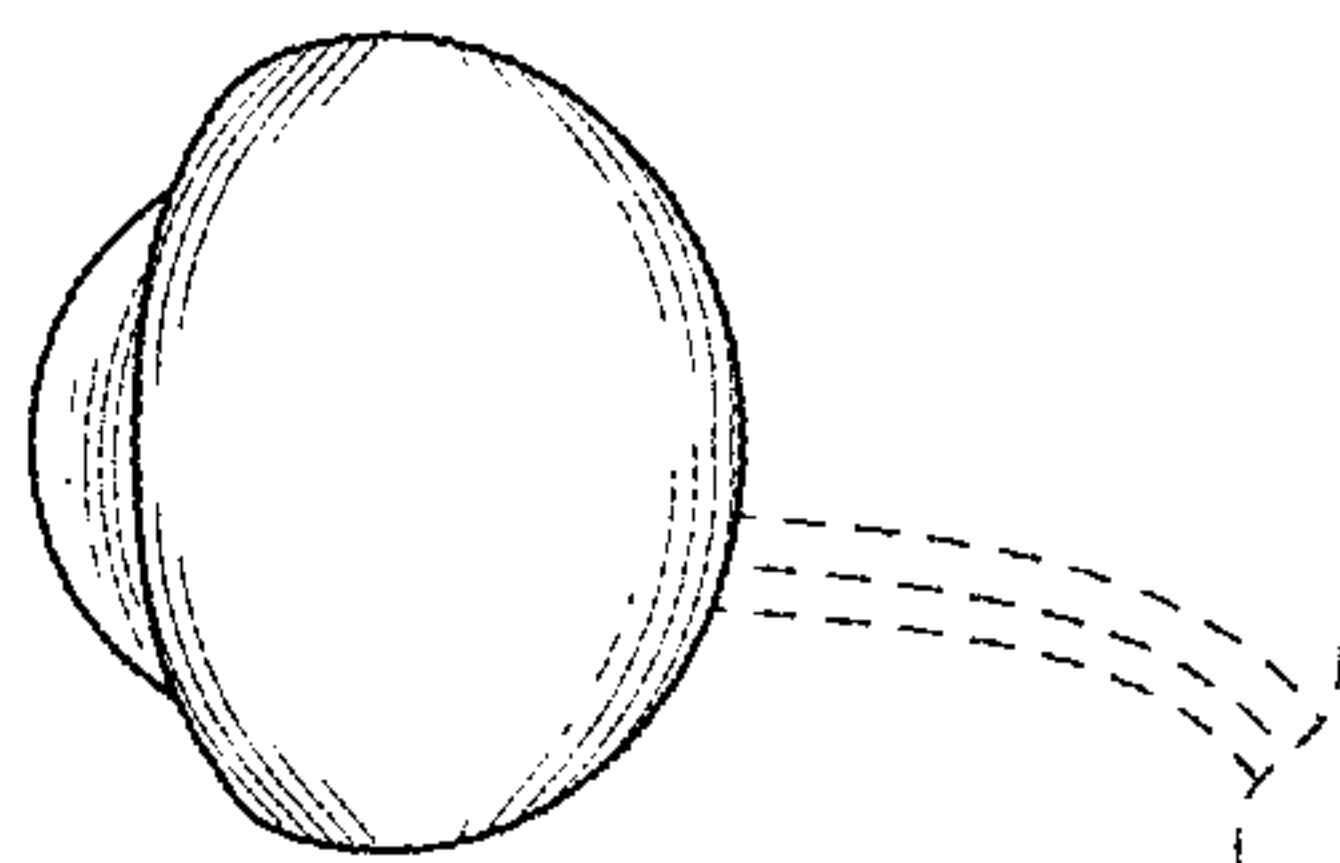


FIG. 7