



US00D893267S

(12) **United States Design Patent** (10) **Patent No.:** **US D893,267 S**
Goodman et al. (45) **Date of Patent:** **** Aug. 18, 2020**

(54) **UTENSIL CADDY**
(71) Applicant: **Spectrum Diversified Designs, LLC**,
Streetsboro, OH (US)
(72) Inventors: **Aaron Goodman**, Beachwood, OH
(US); **Megan Dittrich**, Twinsburg, OH
(US)

D667,632 S * 9/2012 Goodman D3/306
D697,376 S * 1/2014 Goodman D7/631
D716,106 S * 10/2014 Goodman D7/601
D720,575 S * 1/2015 Goodman D7/600
D744,297 S * 12/2015 Goodman D7/637
2010/0006524 A1* 1/2010 Roach A47B 49/00
211/78

(73) Assignee: **SPECTRUM DIVERSIFIED
DESIGNS, LLC**, Streetsboro, OH (US)

(**) Term: **15 Years**

(21) Appl. No.: **29/669,302**

(22) Filed: **Nov. 7, 2018**

(51) **LOC (12) Cl.** **07-07**

(52) **U.S. Cl.**
USPC **D7/637**

(58) **Field of Classification Search**
USPC D7/637-641; 30/298.4; 211/60.1, 70.6,
211/70.7; 248/37.3, 37.6; D3/273, 274;
D19/77, 81-86
CPC A47B 88/20; A47F 7/00; A47G 21/00;
A47G 21/14; B26B 3/00
See application file for complete search history.

(56) **References Cited**

U.S. PATENT DOCUMENTS

D341,463 S * 11/1993 Booth D3/306
D517,870 S * 3/2006 Perkins D7/637

OTHER PUBLICATIONS

Euro Utensil Holder | Spectrum Diversified web page, <https://www.spectrumdiversified.com/products/Euro-Utensil-Holder>, dated Oct. 19, 2018, 1 page.

* cited by examiner

Primary Examiner — Janice Patyk

(74) *Attorney, Agent, or Firm* — Tucker Ellis LLP

(57) **CLAIM**

The ornamental design for a utensil caddy, as shown and described.

DESCRIPTION

FIG. 1 is a perspective view of a utensil caddy showing our new design.

FIG. 2 is a front view thereof.

FIG. 3 is a rear view thereof.

FIG. 4 is a right side view thereof.

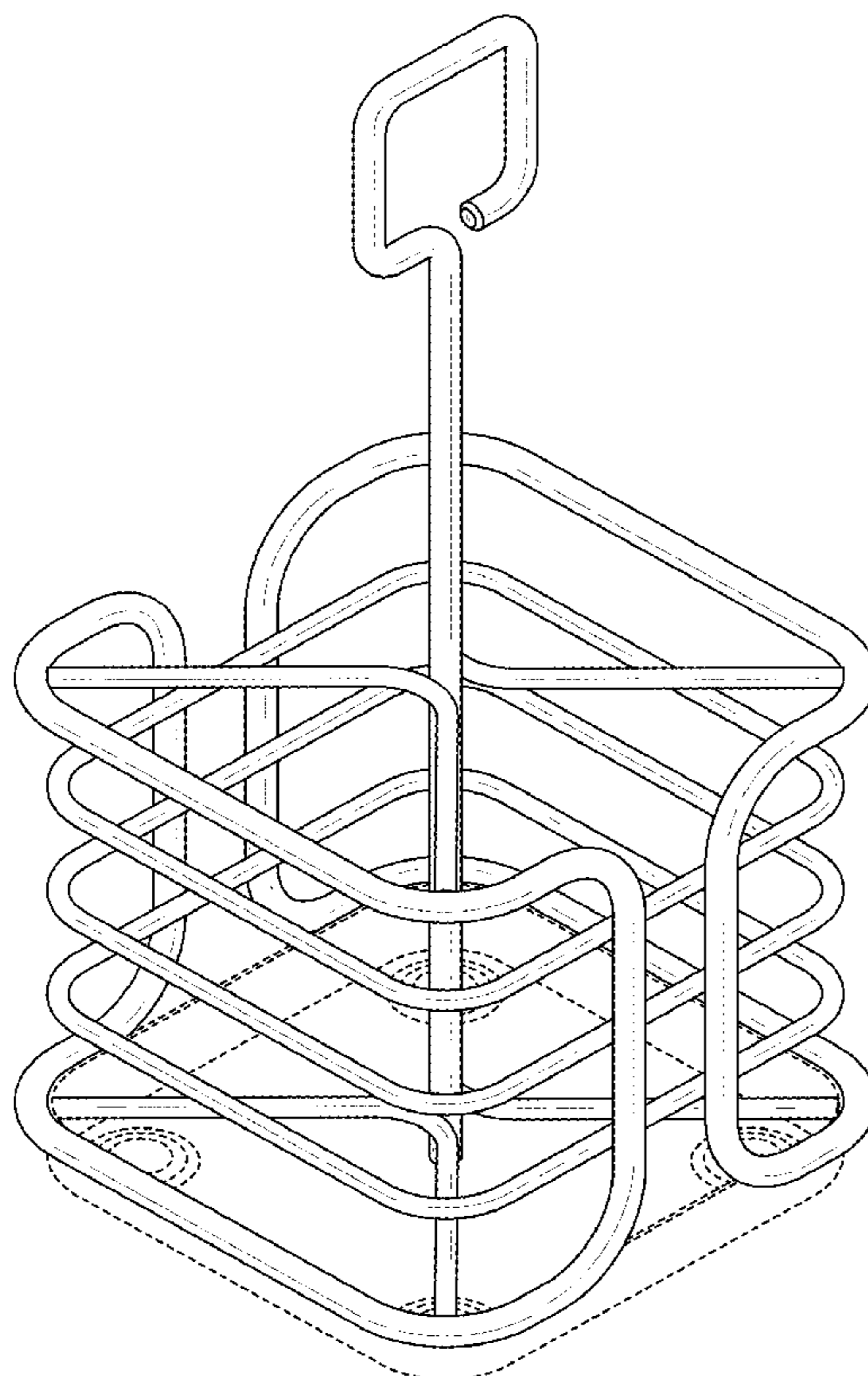
FIG. 5 is a left side view thereof.

FIG. 6 is a top view thereof; and,

FIG. 7 is a bottom view thereof.

The broken lines show portions of the design that form no part of the claimed design.

1 Claim, 4 Drawing Sheets



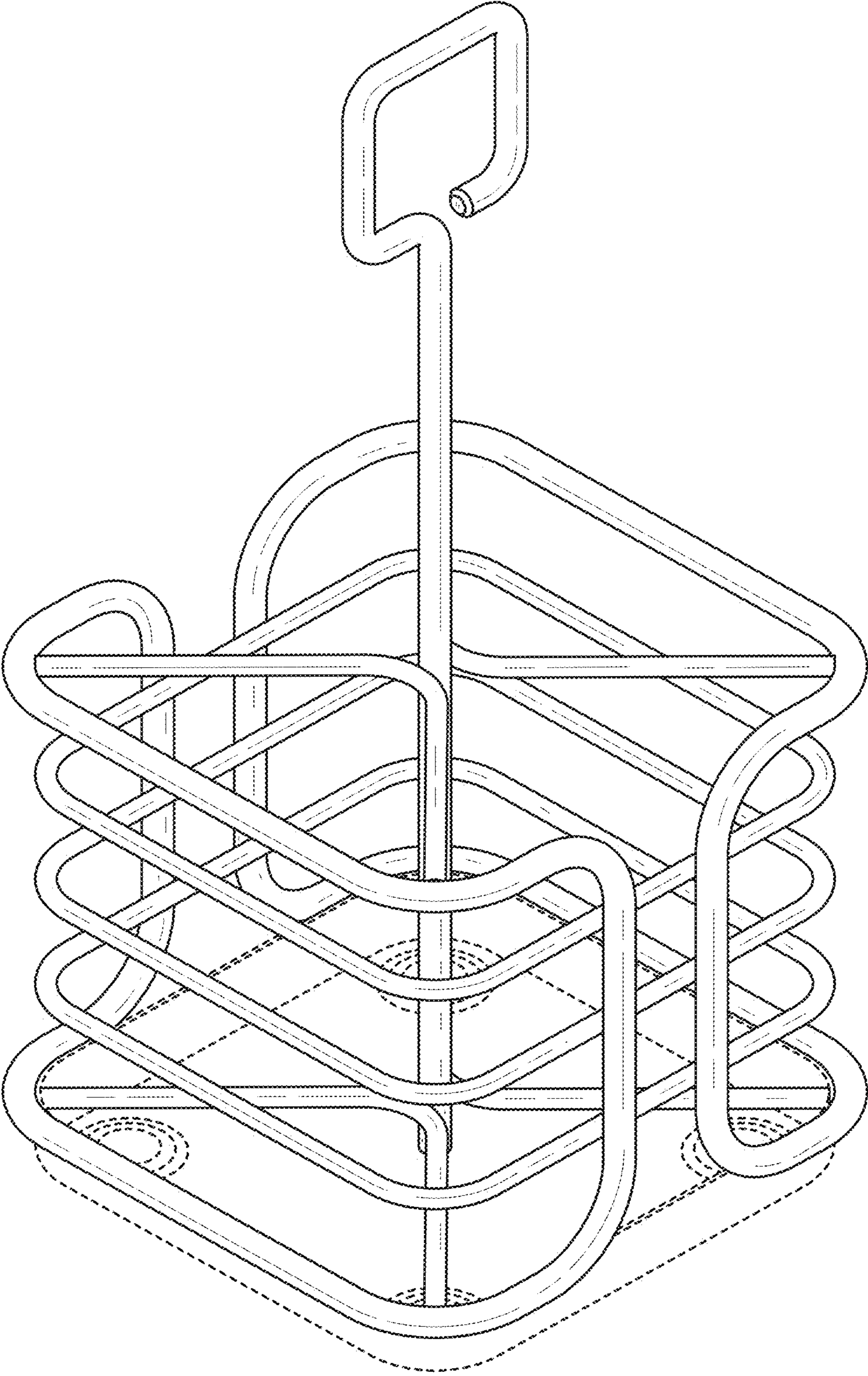


FIG. 1

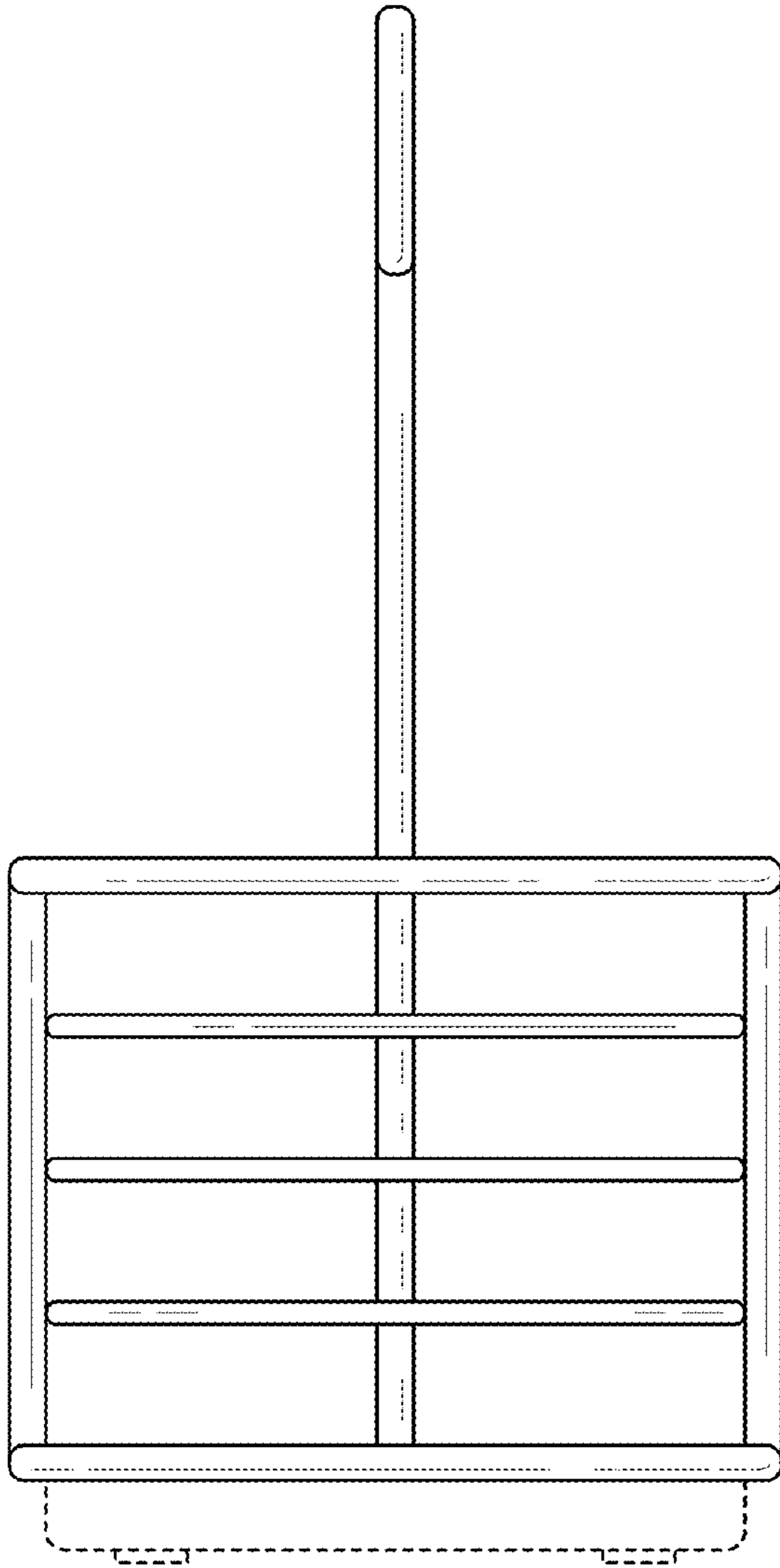


FIG. 2

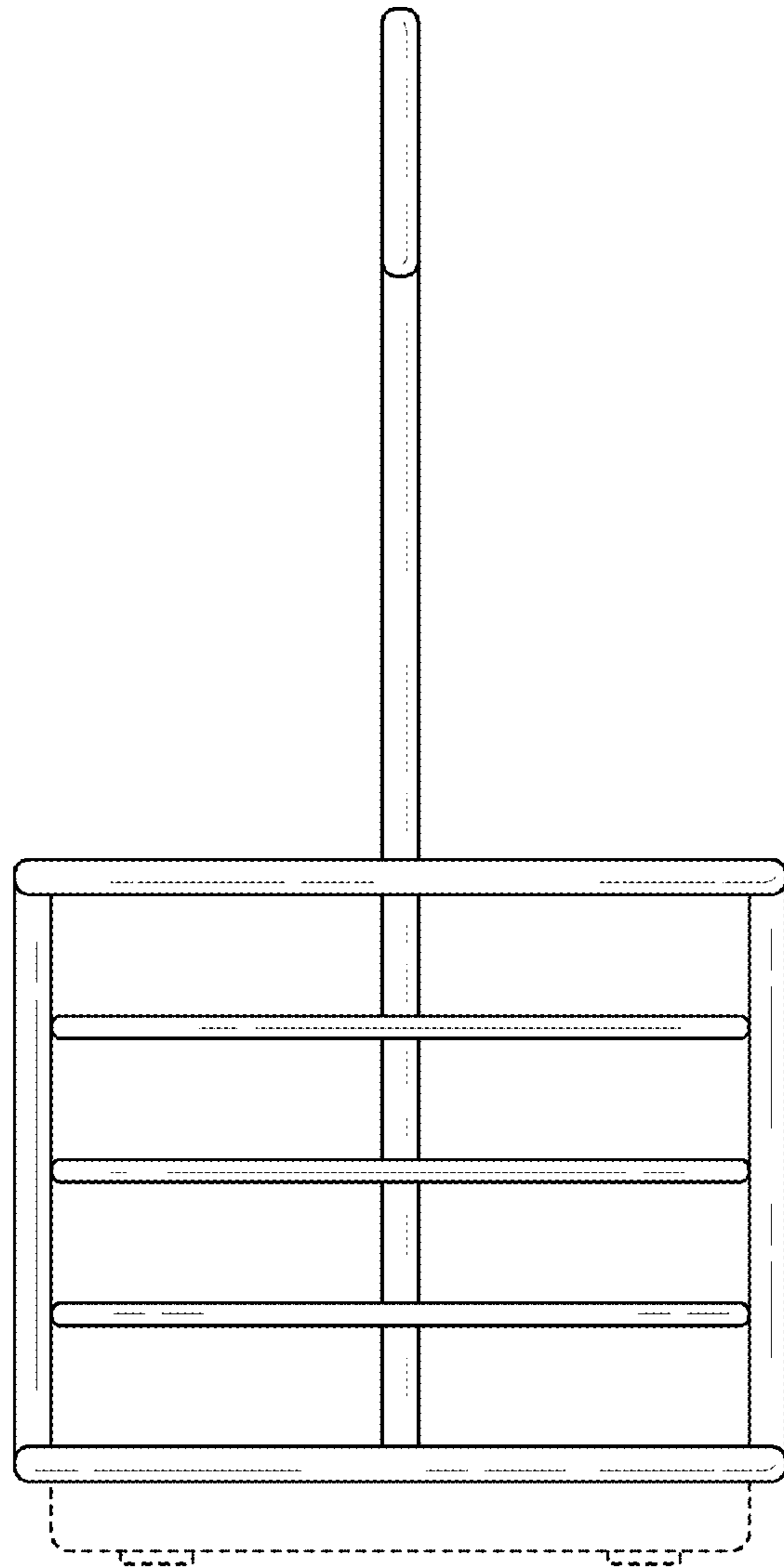


FIG. 3

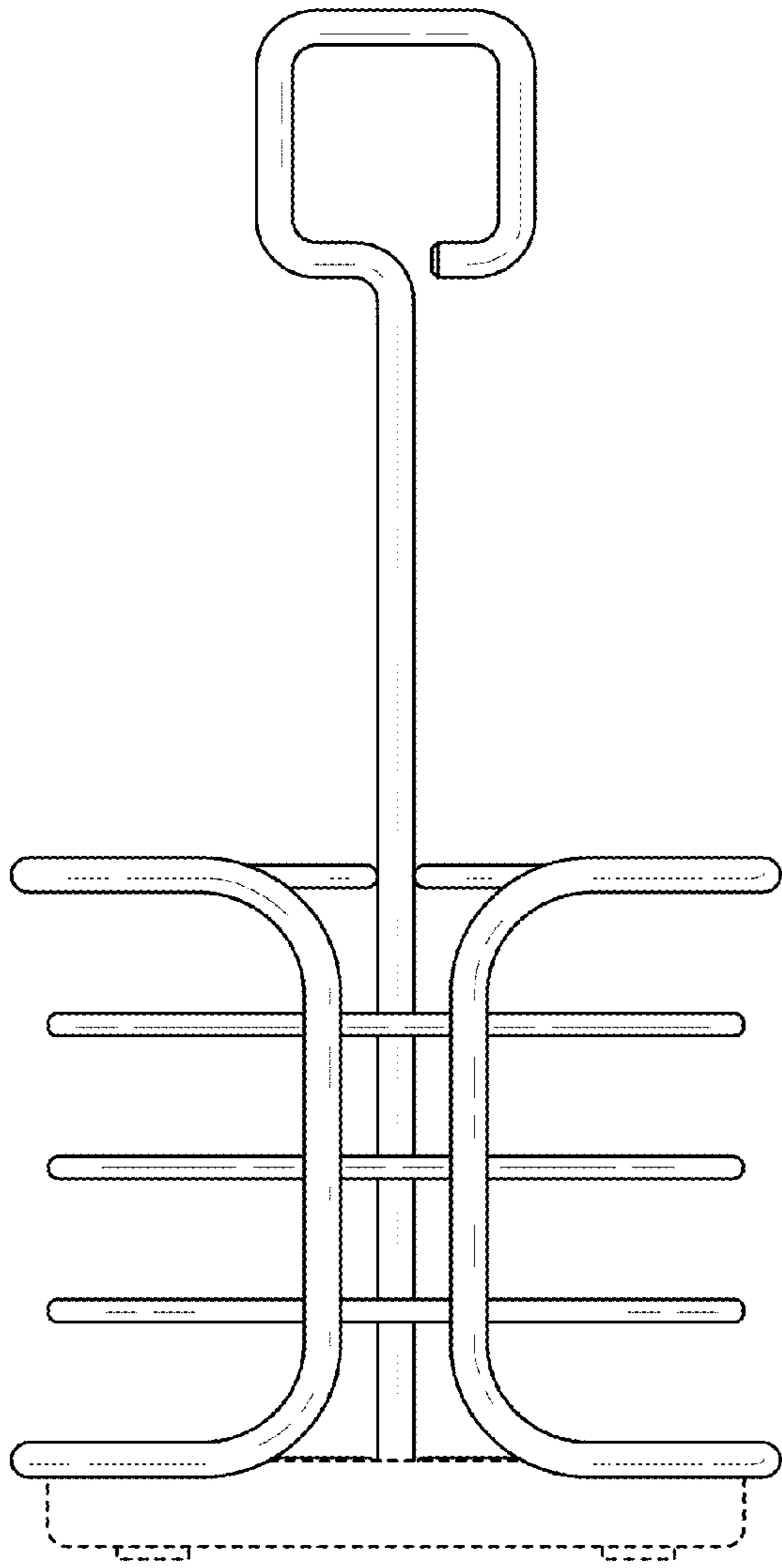


FIG. 4

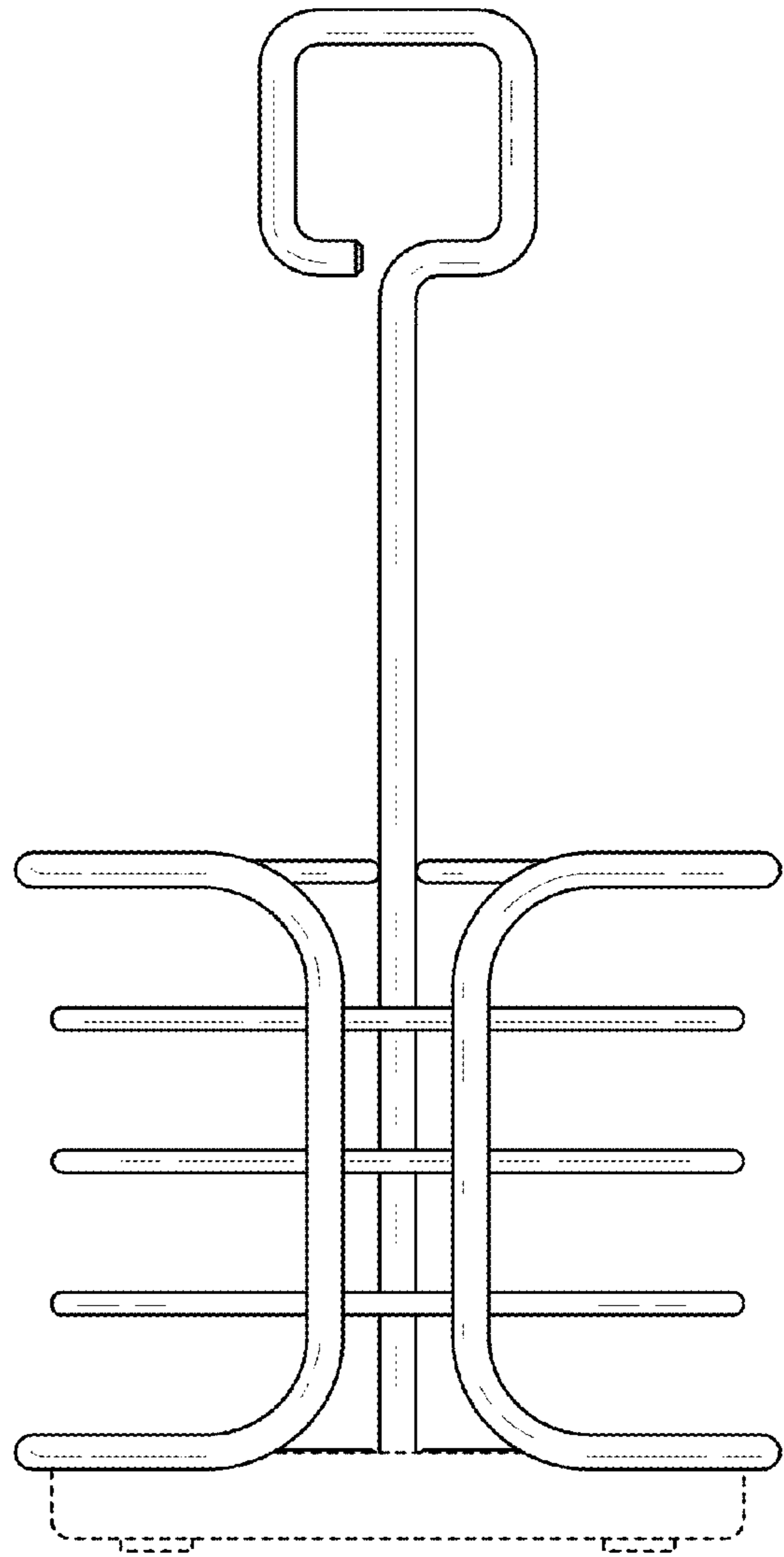


FIG. 5

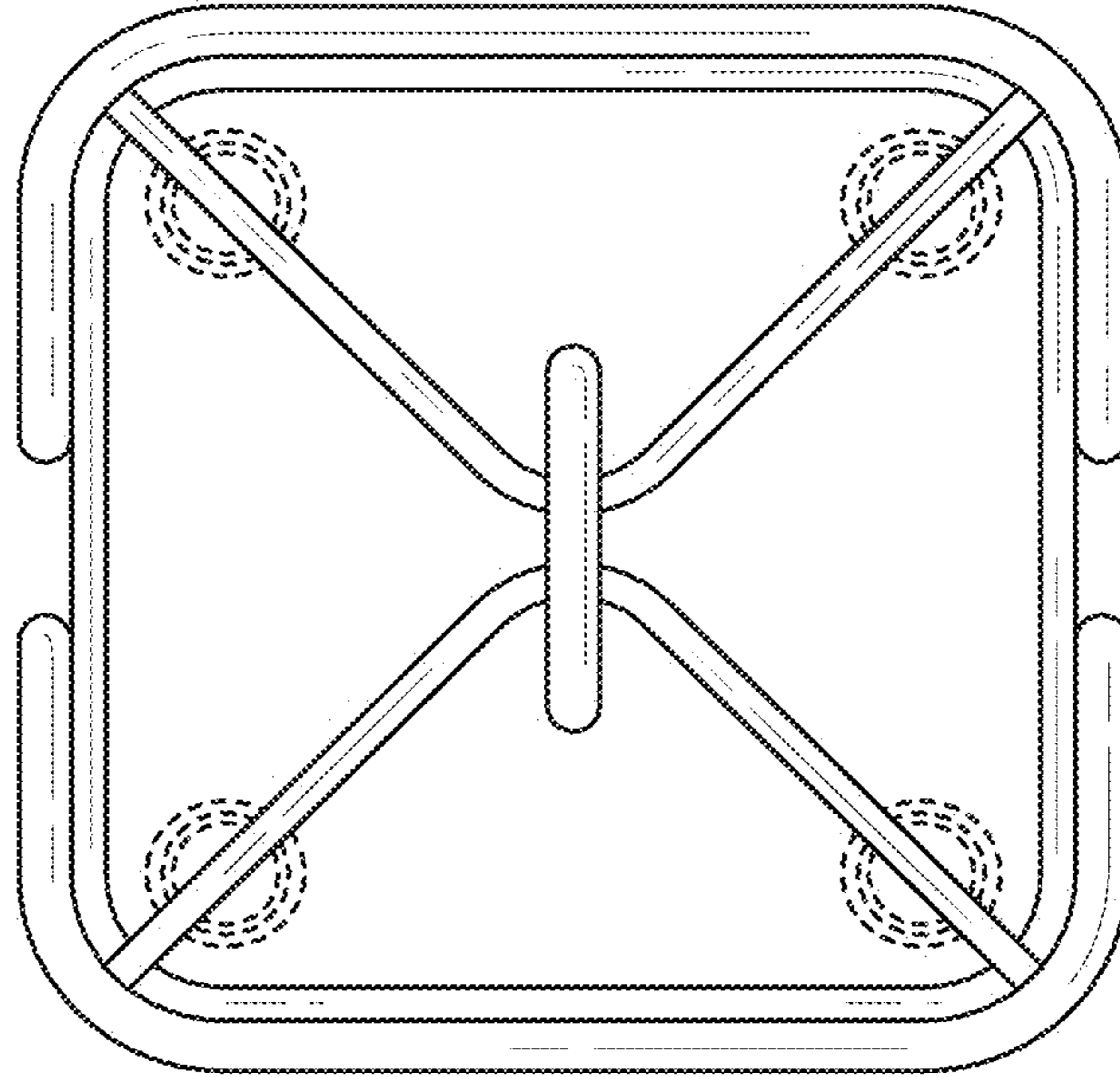


FIG. 6

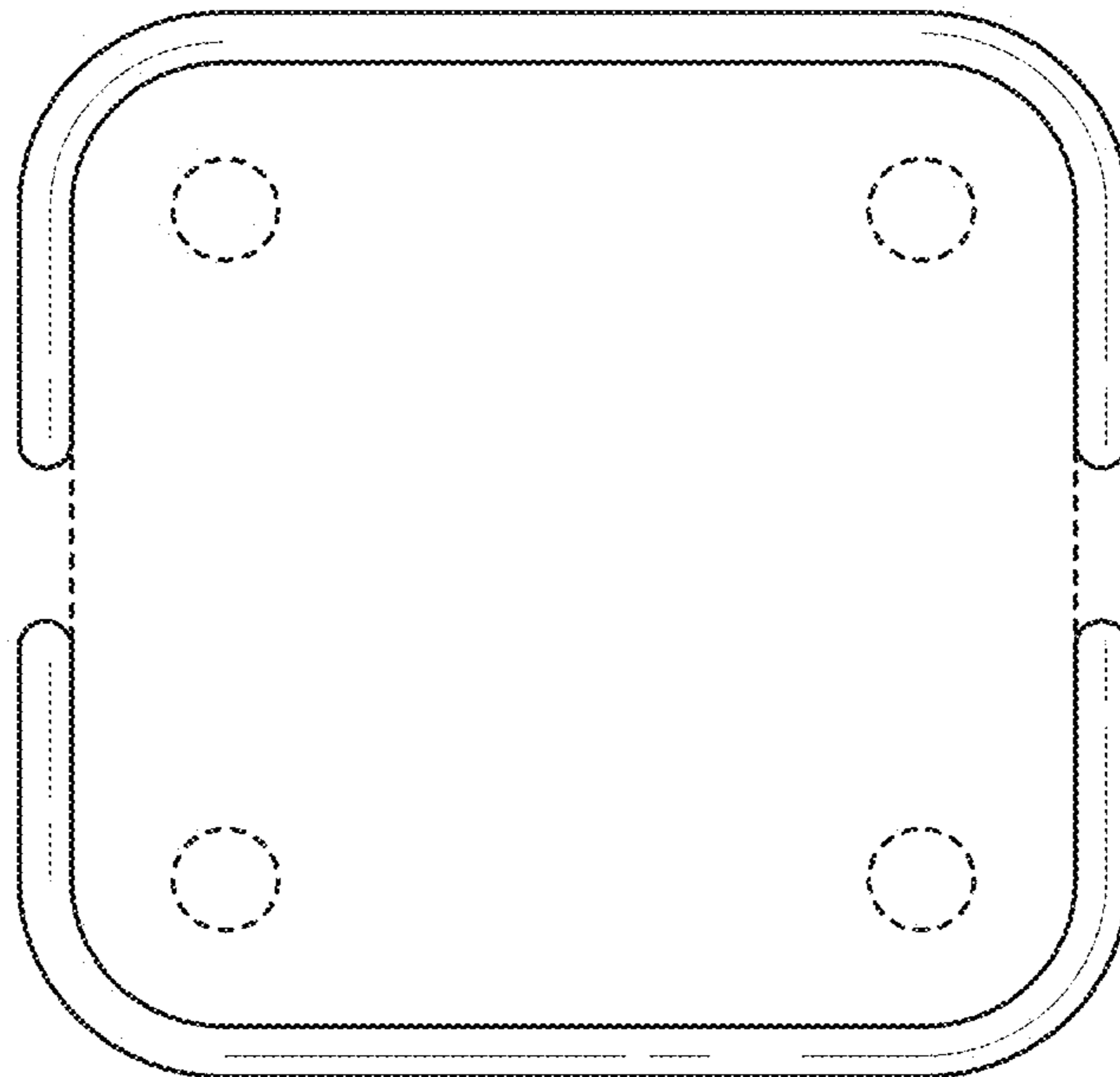


FIG. 7