



US00D893261S

(12) **United States Design Patent** (10) **Patent No.:** **US D893,261 S**  
**Lown** (45) **Date of Patent:** **\*\* Aug. 18, 2020**

(54) **LIQUID CONTAINER**  
(71) Applicant: **Takeya USA Corporation**, Huntington Beach, CA (US)  
(72) Inventor: **John M. Lown**, Huntington Beach, CA (US)  
(73) Assignee: **Takeya USA Corporation**, Costa Mesa, CA (US)  
(\*\*) Term: **15 Years**

D774,357 S \* 12/2016 Palin ..... D7/510  
D795,012 S \* 8/2017 Rummel ..... D7/510  
D795,647 S \* 8/2017 Heiberger ..... D7/511  
D808,219 S \* 1/2018 Heiberger ..... D7/510  
D843,784 S \* 3/2019 Black ..... D7/507  
2016/0316896 A1\* 11/2016 Breit ..... A45F 3/16

\* cited by examiner  
*Primary Examiner* — Susan E Krakower  
*Assistant Examiner* — Andrew Kerr  
(74) *Attorney, Agent, or Firm* — Klein, O'Neil & Singh, LLP

(21) Appl. No.: **29/665,345**  
(22) Filed: **Oct. 2, 2018**  
(51) **LOC (12) Cl.** ..... **07-01**  
(52) **U.S. Cl.**  
USPC ..... **D7/511**; D7/396.1; D9/516; D9/549  
(58) **Field of Classification Search**  
USPC ..... D7/510, 511, 608, 300.1, 591, 392.1,  
D7/396.2, 529, 533–536; D9/516, 523,  
D9/525, 527, 528  
CPC ..... A47G 19/22; A47G 19/2205; A47G  
19/2222; A45F 3/16; B65D 41/04; B65D  
43/02; B65D 47/066; B65D 47/08  
See application file for complete search history.

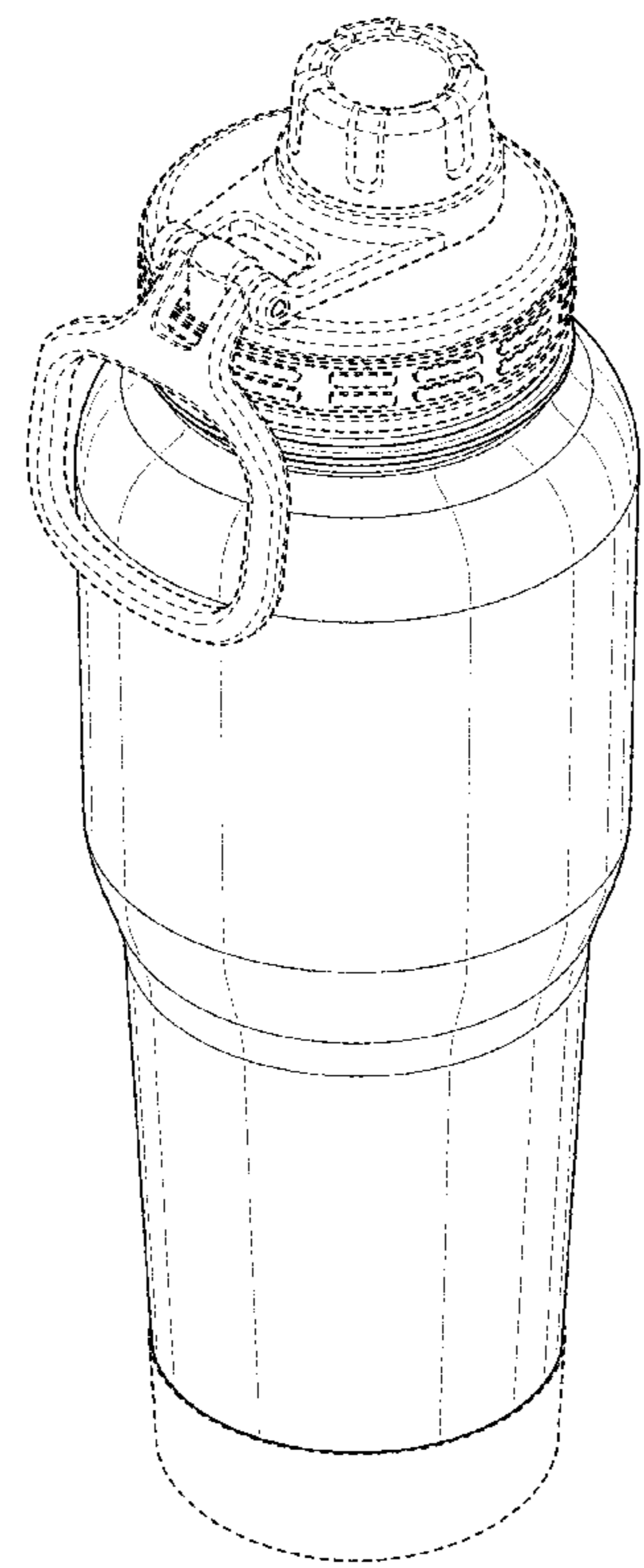
(57) **CLAIM**  
The ornamental design for a liquid container, as shown and described.

**DESCRIPTION**

FIG. 1 is a top perspective view of an embodiment of a liquid container embodying the new design; FIG. 2 is a rear elevation view thereof; FIG. 3 is a front elevation view thereof; FIG. 4 is a left side elevation view thereof; FIG. 5 is a right side elevation view thereof; FIG. 6 is a top plan view thereof; FIG. 7 is a bottom plan view thereof; and, FIG. 8 is a bottom perspective view thereof. The broken lines in the drawings depict portions of the liquid container that form no part of the claimed design. The shading lines only help to show the shape and do not depict any surface decoration.

(56) **References Cited**  
U.S. PATENT DOCUMENTS  
D339,503 S \* 9/1993 Callaway ..... D7/510  
D391,448 S \* 3/1998 Winer ..... D7/510  
D549,048 S \* 8/2007 Duke ..... D7/510

**1 Claim, 8 Drawing Sheets**



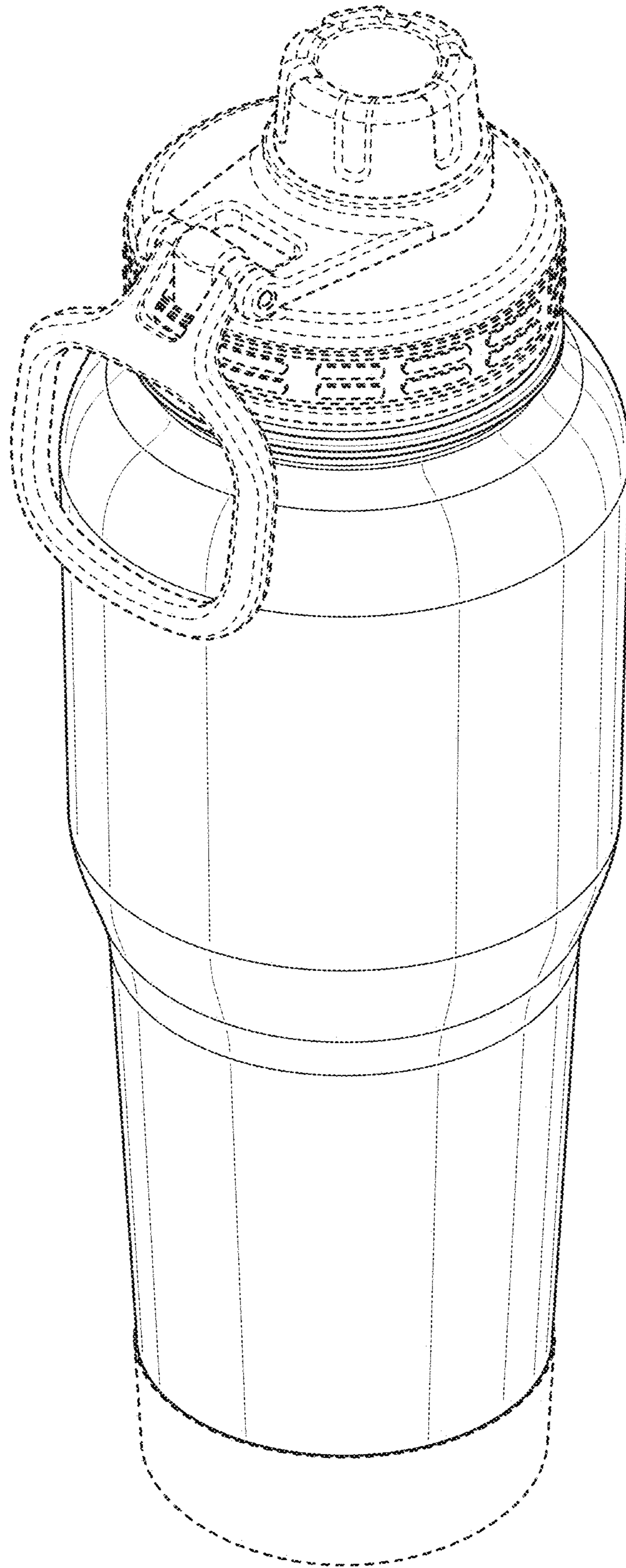


FIG. 1

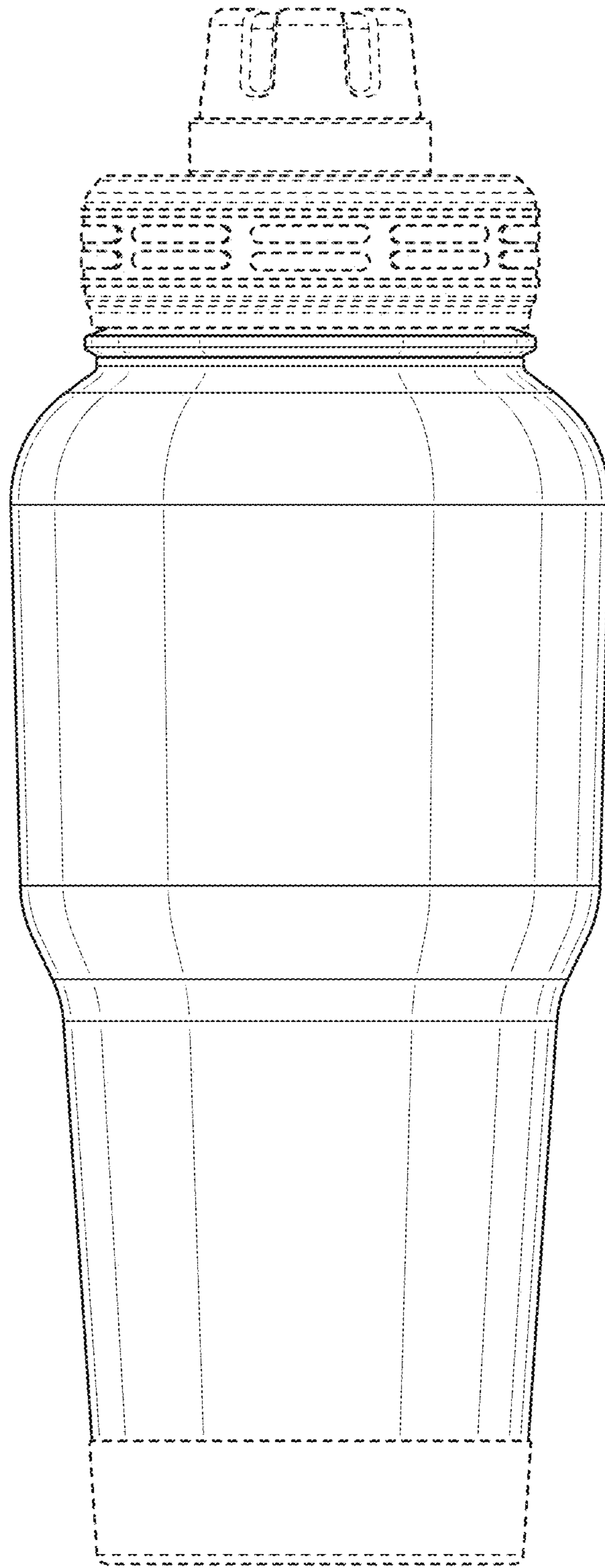


FIG. 2

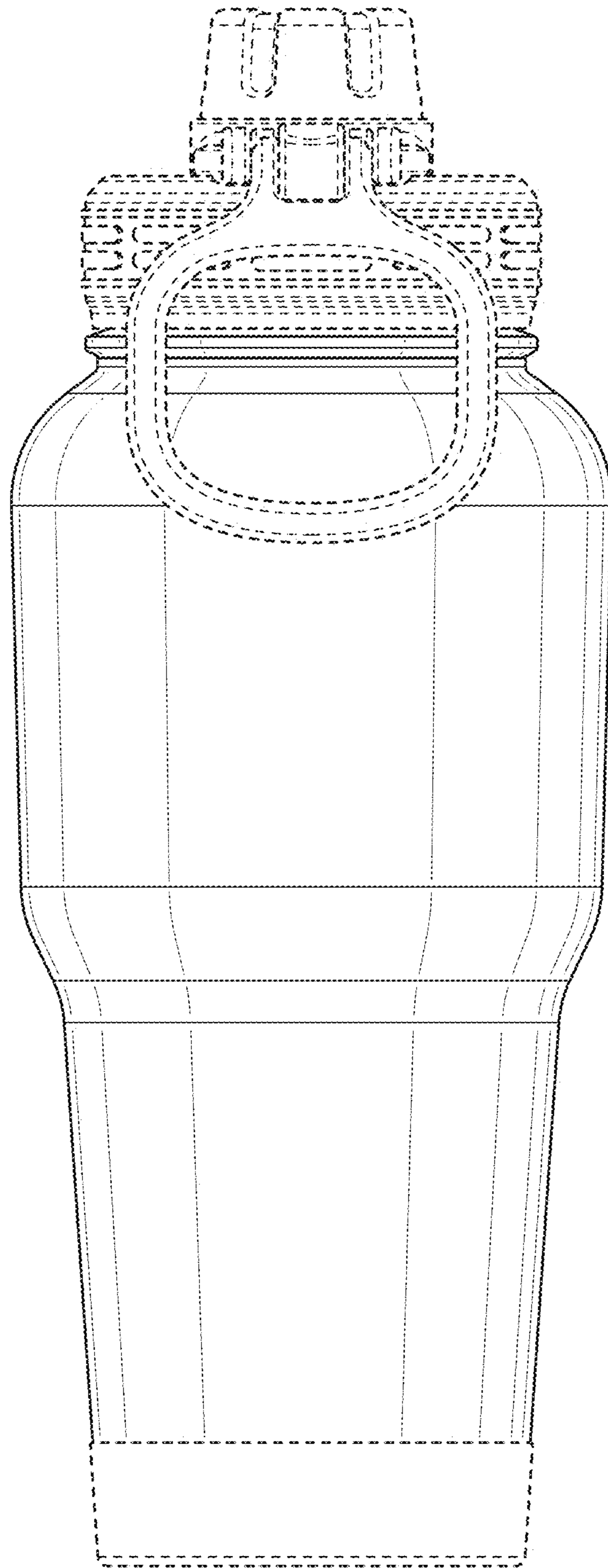


FIG. 3

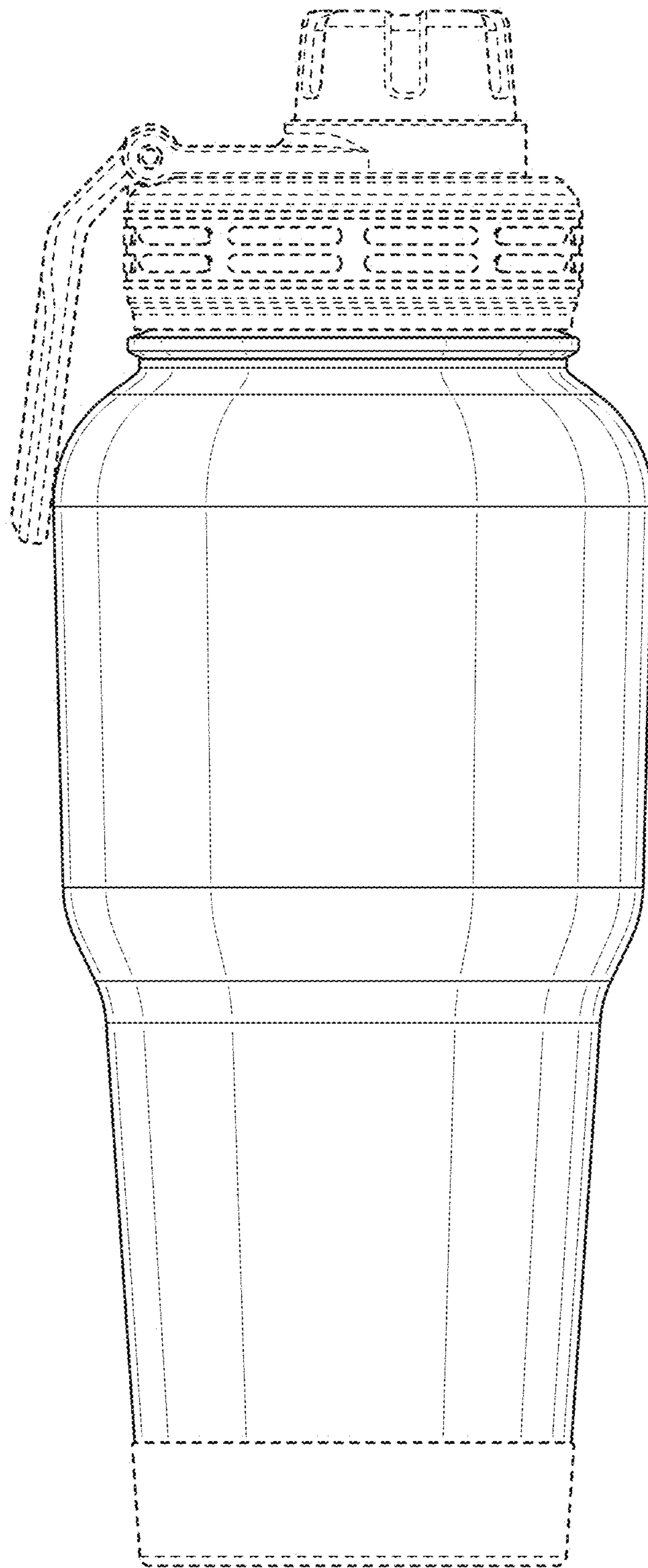


FIG. 4

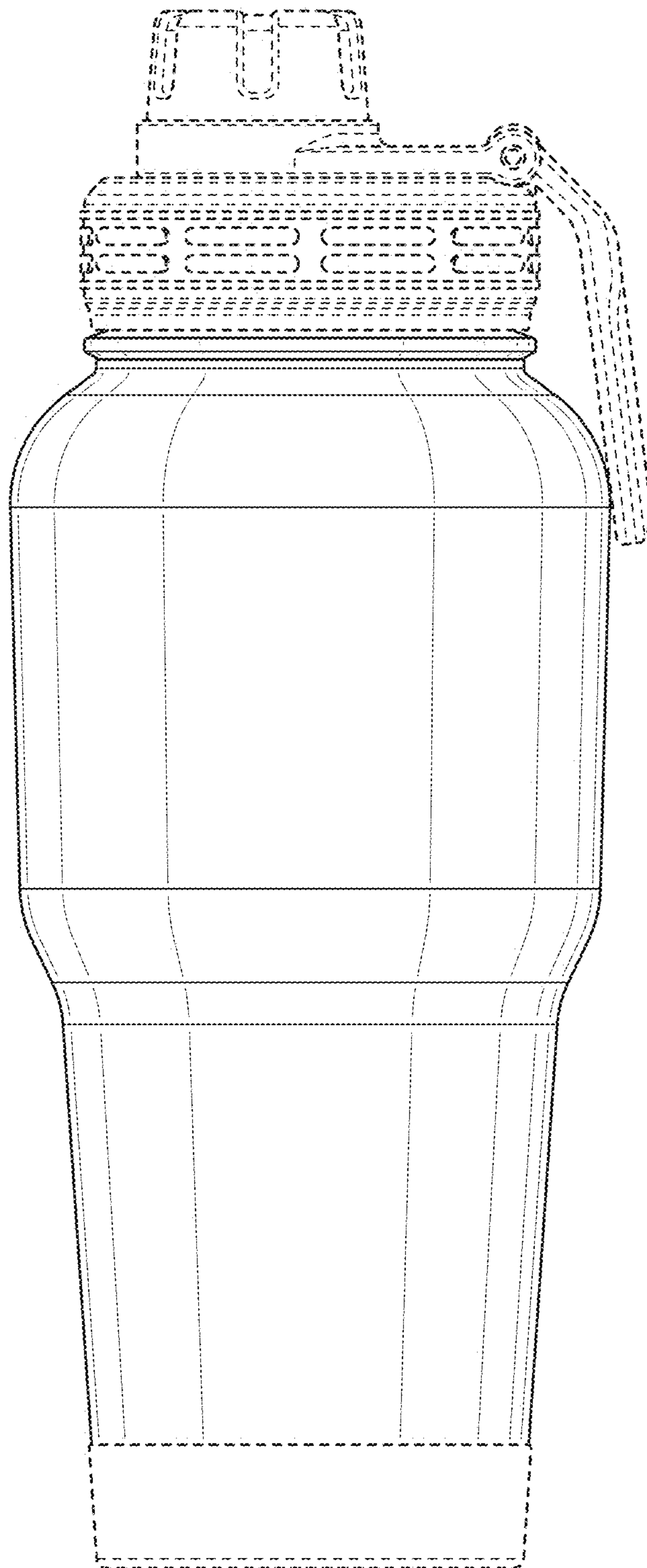


FIG. 5

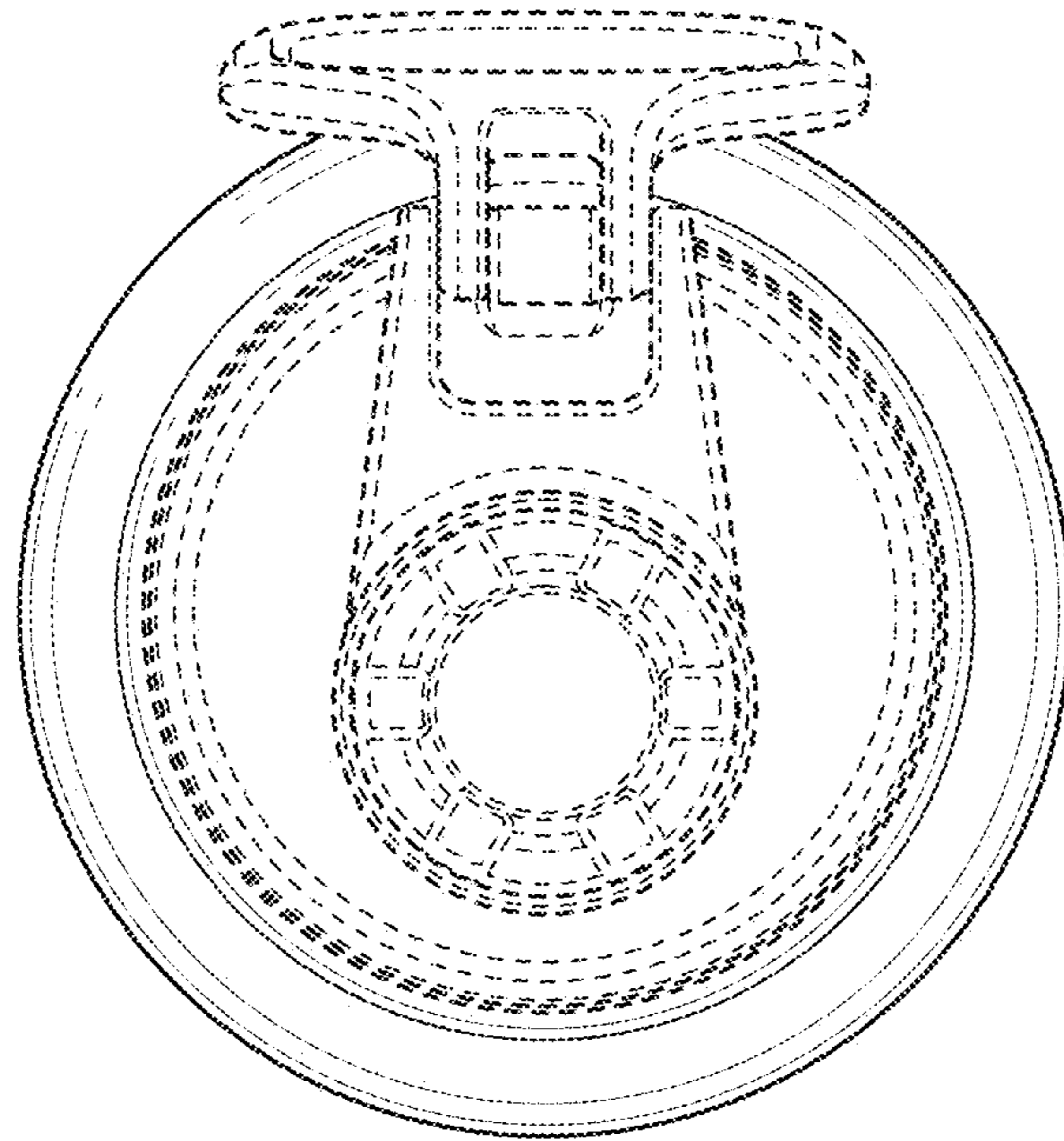


FIG. 6

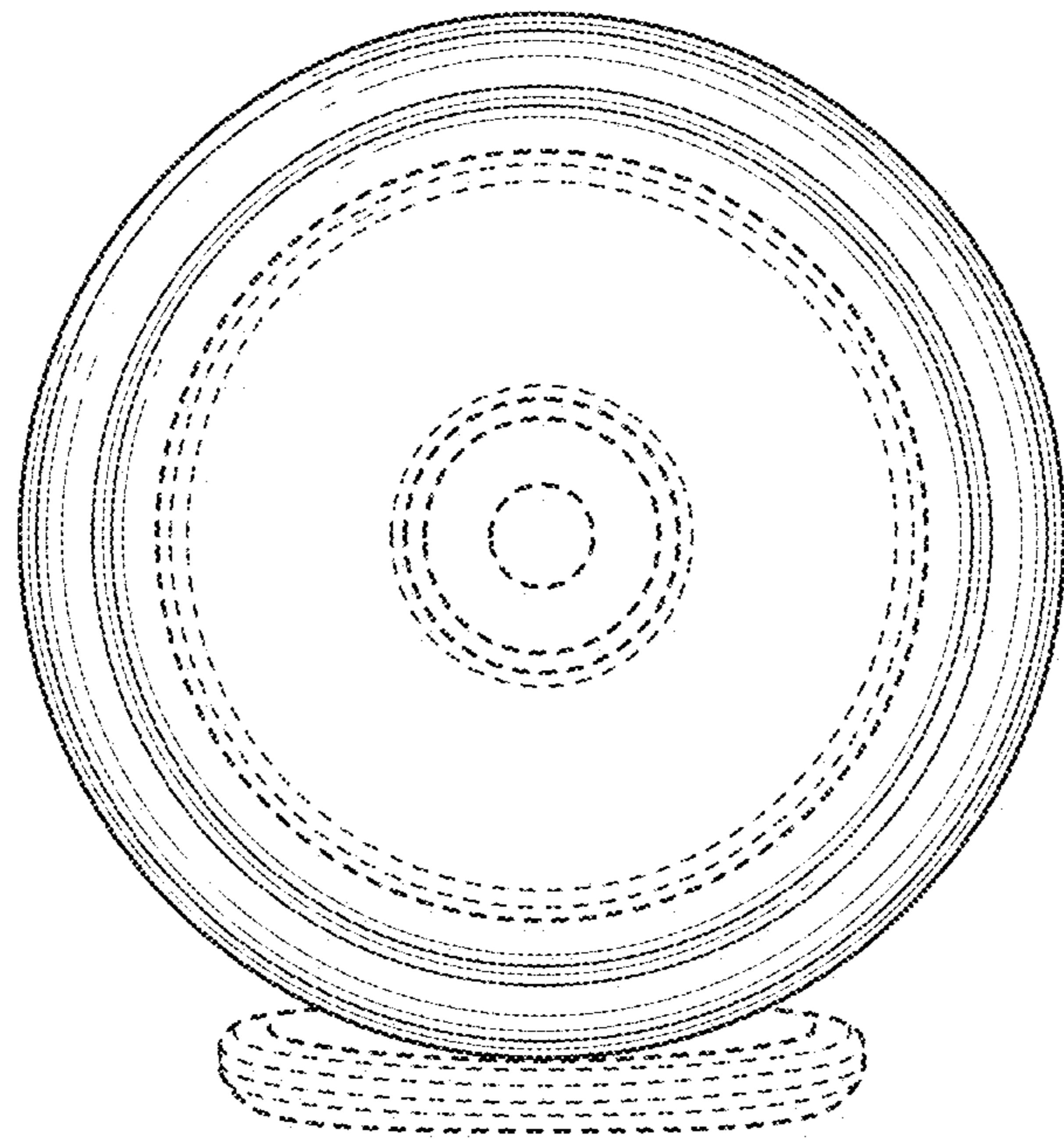


FIG. 7



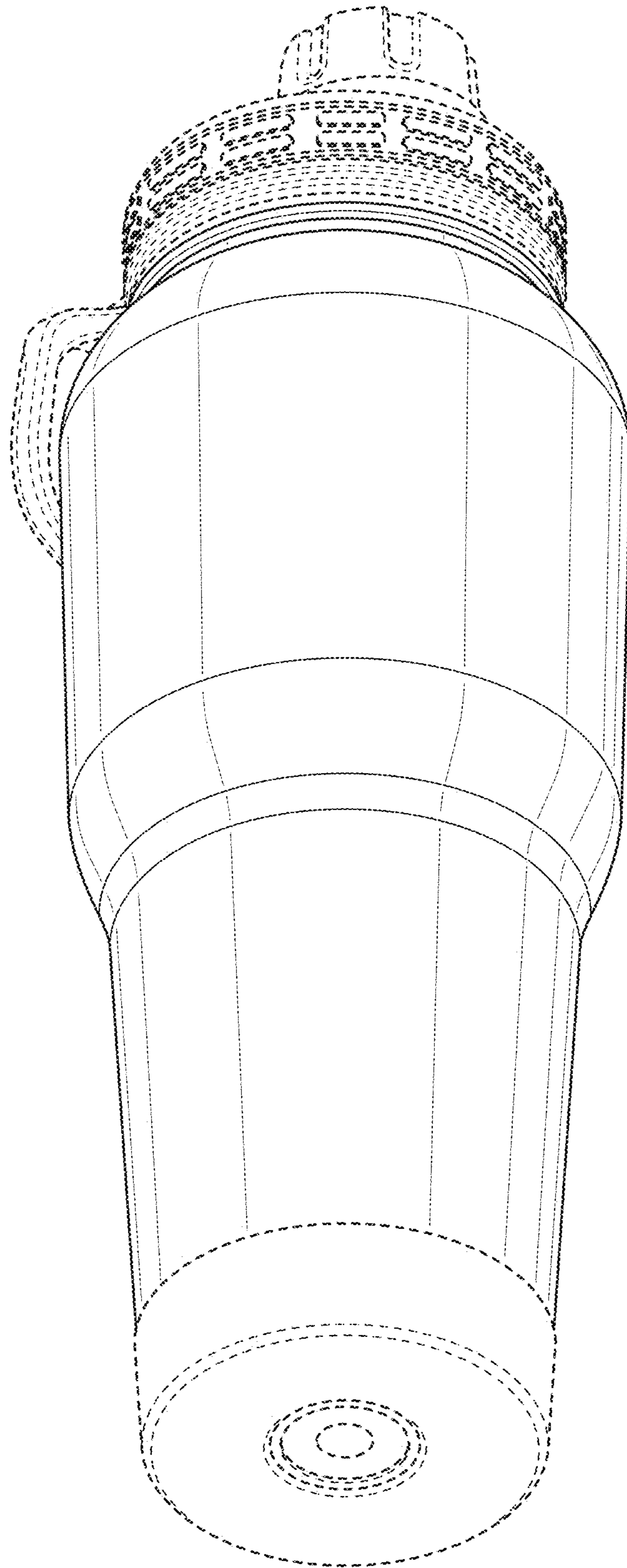


FIG. 8