



US00D893258S

(12) **United States Design Patent** (10) **Patent No.:** **US D893,258 S**
Lane et al. (45) **Date of Patent:** **** *Aug. 18, 2020**

(54) **TUMBLER** 8,899,440 B2 * 12/2014 Arnold B65D 47/265
220/253
(71) Applicant: **Thermos L.L.C.**, Schaumburg, IL (US) D804,902 S * 12/2017 Weernink D7/510
D814,240 S * 4/2018 Kabalin D7/510
(72) Inventors: **Marvin Lane**, Wheeling, IL (US); D814,870 S * 4/2018 Spivey D7/533
Dwayne Boroski, Lake in the Hills, IL D844,382 S * 4/2019 Seiders D7/510
(US); **Ryan Stuart Biery**, Chicago, IL D846,354 S * 4/2019 Omdahl, II D7/510
(US); **Kelly Tina Lin**, Plainfield, IL 2010/0288782 A1 * 11/2010 Lin A47G 19/22
(US) 220/752
2017/0273484 A1 * 9/2017 Spivey B65D 43/16

(73) Assignee: **Thermos L.L.C.**, Schaumburg, IL (US)
(*) Notice: This patent is subject to a terminal disclaimer.
(**) Term: **15 Years**

(21) Appl. No.: **29/660,310**
(22) Filed: **Aug. 20, 2018**
(51) **LOC (12) Cl.** **07-01**
(52) **U.S. Cl.**
USPC **D7/510**
(58) **Field of Classification Search**
USPC D7/393, 396.1, 396.2, 397, 509, 510,
D7/511, 533, 543; D9/763, 767, 772,
D9/516, 530, 531, 537, 549, 564
CPC A45F 3/16; A45F 3/18; A47G 19/2266;
A47G 19/2205; A47G 19/2227; B65D
41/04; B65D 41/0414; B65D 51/18;
B65D 1/265; A47J 31/18; A47J 41/0072
See application file for complete search history.

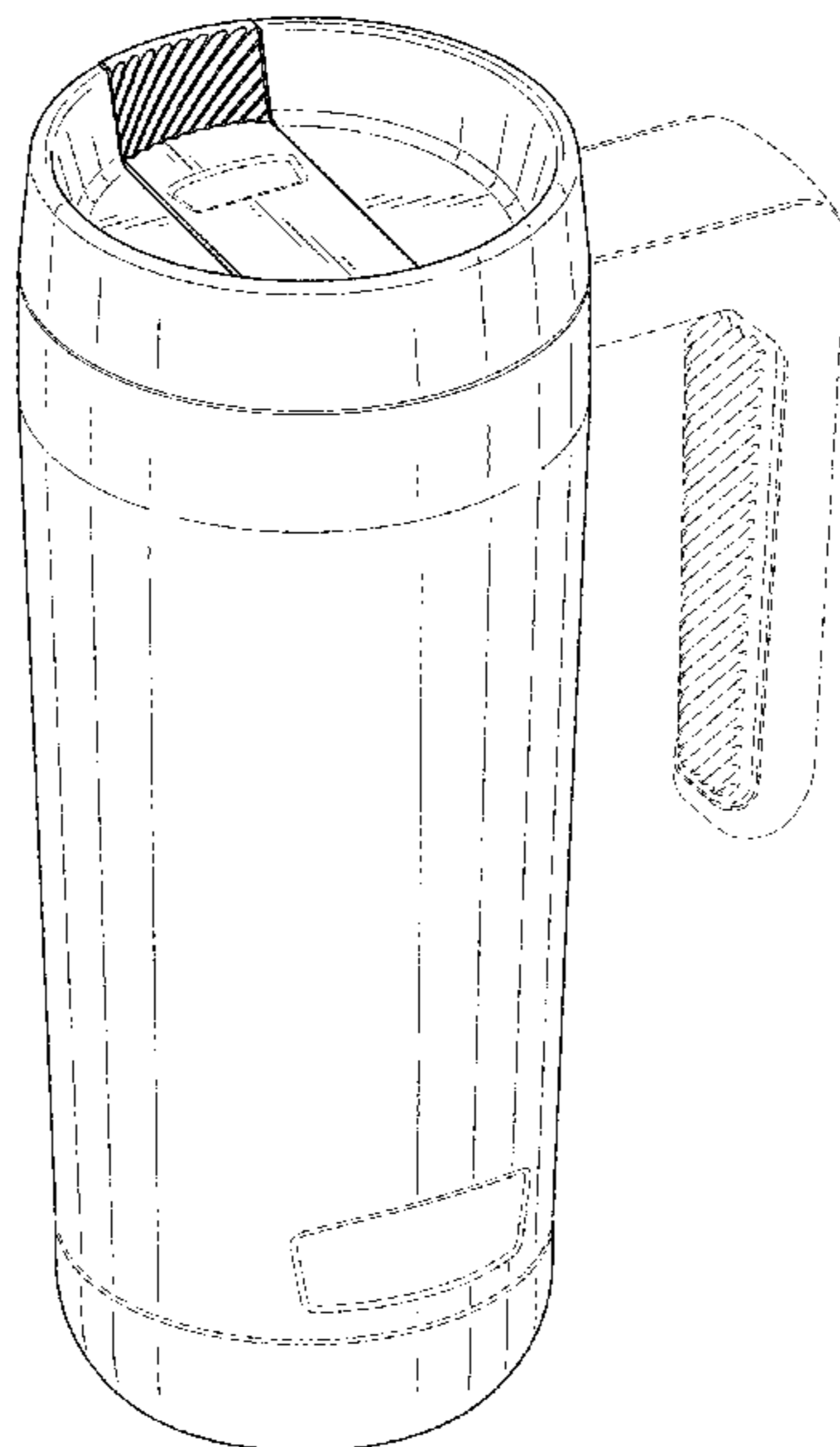
(56) **References Cited**
U.S. PATENT DOCUMENTS
6,098,834 A * 8/2000 Hatsumoto B65D 47/249
220/212.5
D544,300 S * 6/2007 Tien D7/510
D545,129 S * 6/2007 Tien D7/510
D712,701 S * 9/2014 Boroski D7/533

OTHER PUBLICATIONS
Design U.S. Appl. No. 29/660,272, filed Aug. 20, 2018; 19 pgs.
* cited by examiner
Primary Examiner — Susan E Krakower
Assistant Examiner — Andrew Kerr
(74) *Attorney, Agent, or Firm* — Polsinelli PC

(57) **CLAIM**
The ornamental design for a tumbler, as shown and described.

DESCRIPTION
FIG. 1 is a perspective view of a tumbler, showing our new design;
FIG. 2 is a front view of the tumbler;
FIG. 3 is a rear view of the tumbler;
FIG. 4 is a left side view of the tumbler;
FIG. 5 is a right side view of the tumbler;
FIG. 6 is a top view of the tumbler; and,
FIG. 7 is a bottom view of the tumbler.
The broken lines showing in the figures are included for the purpose of illustrating portions of the tumbler that form no part of the claimed design. The dash-dot lines showing in the figures are included for defining the bounds of the claimed design that form no part thereof.

1 Claim, 6 Drawing Sheets



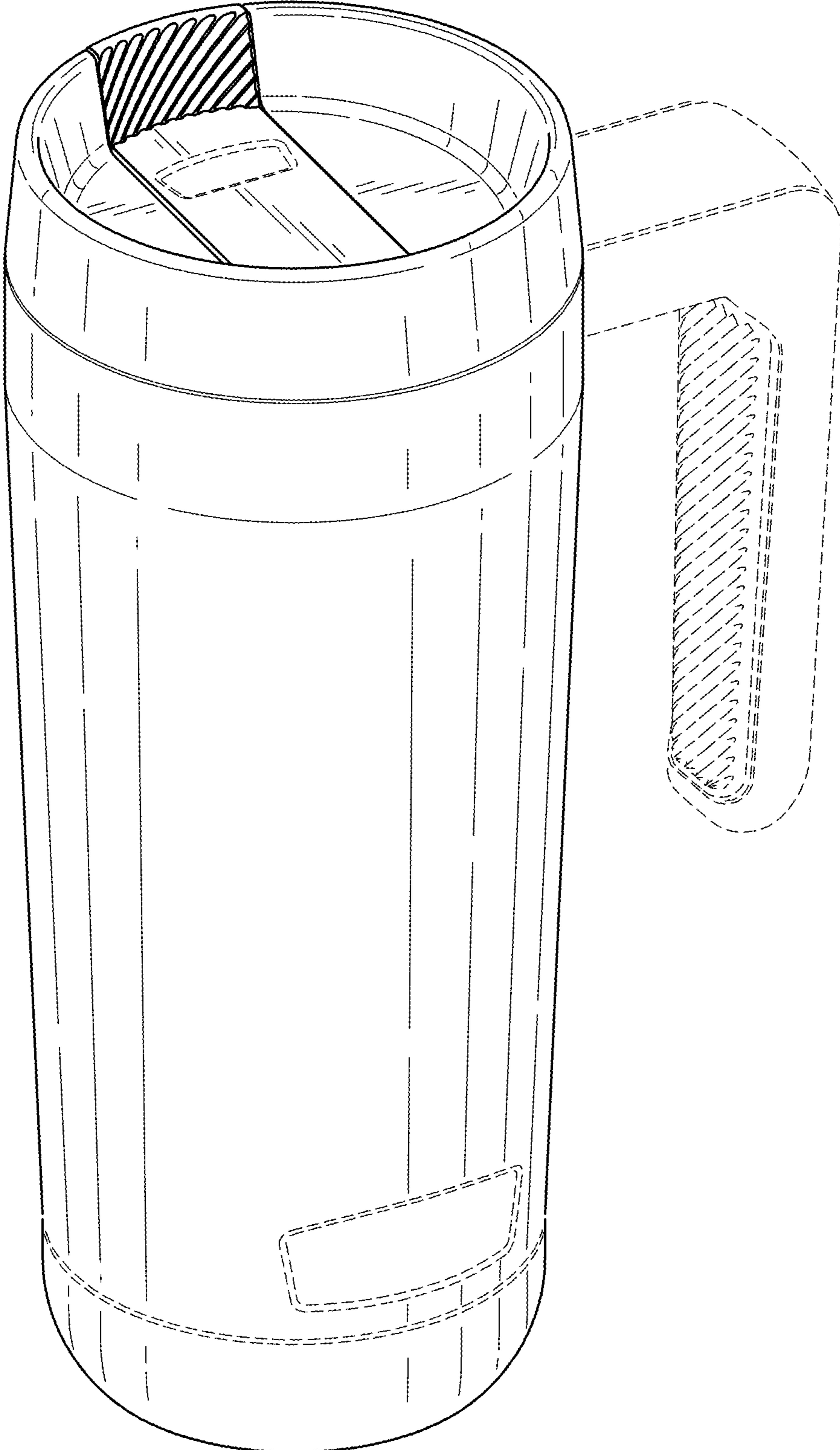


FIG. 1

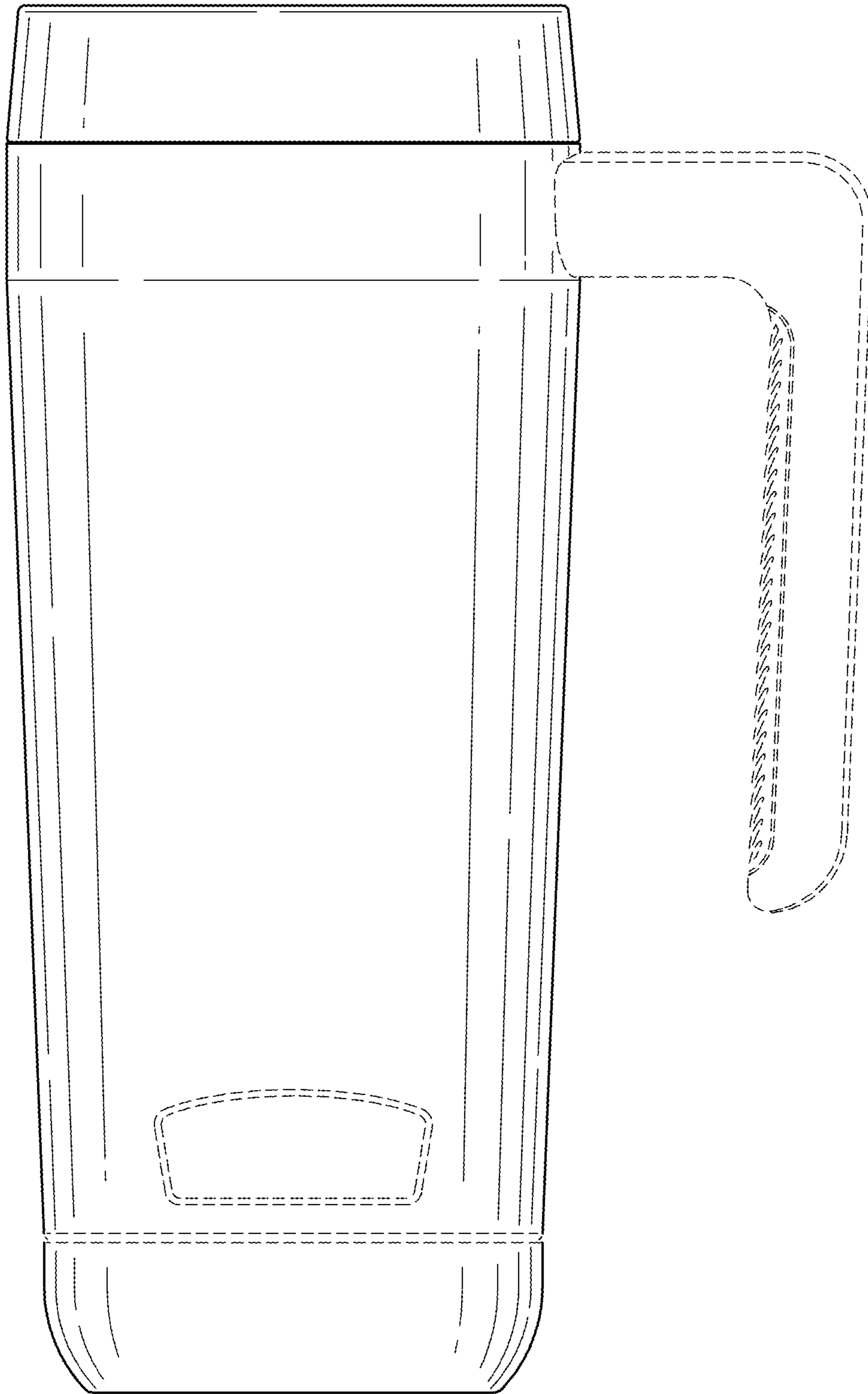


FIG. 2

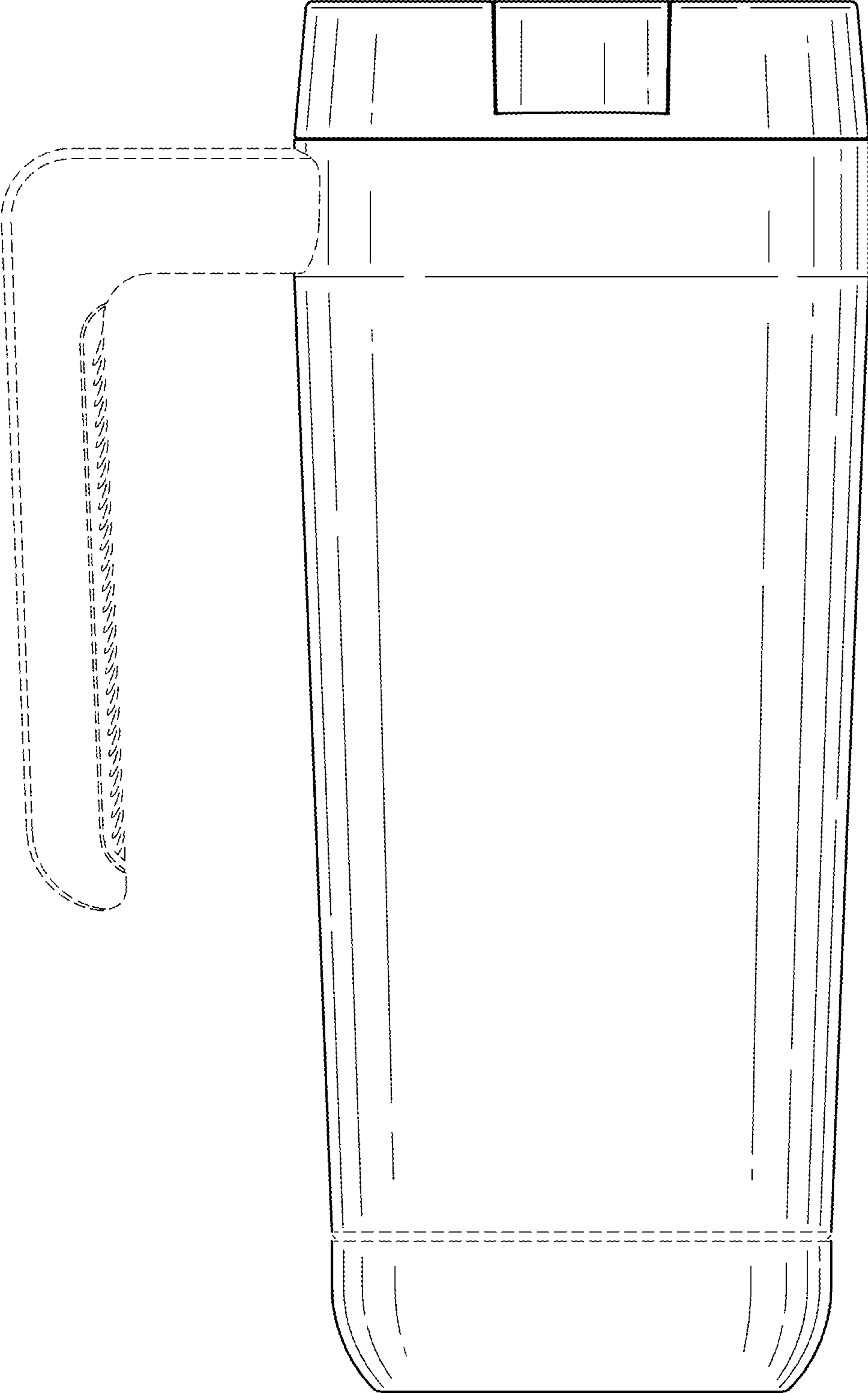


FIG. 3

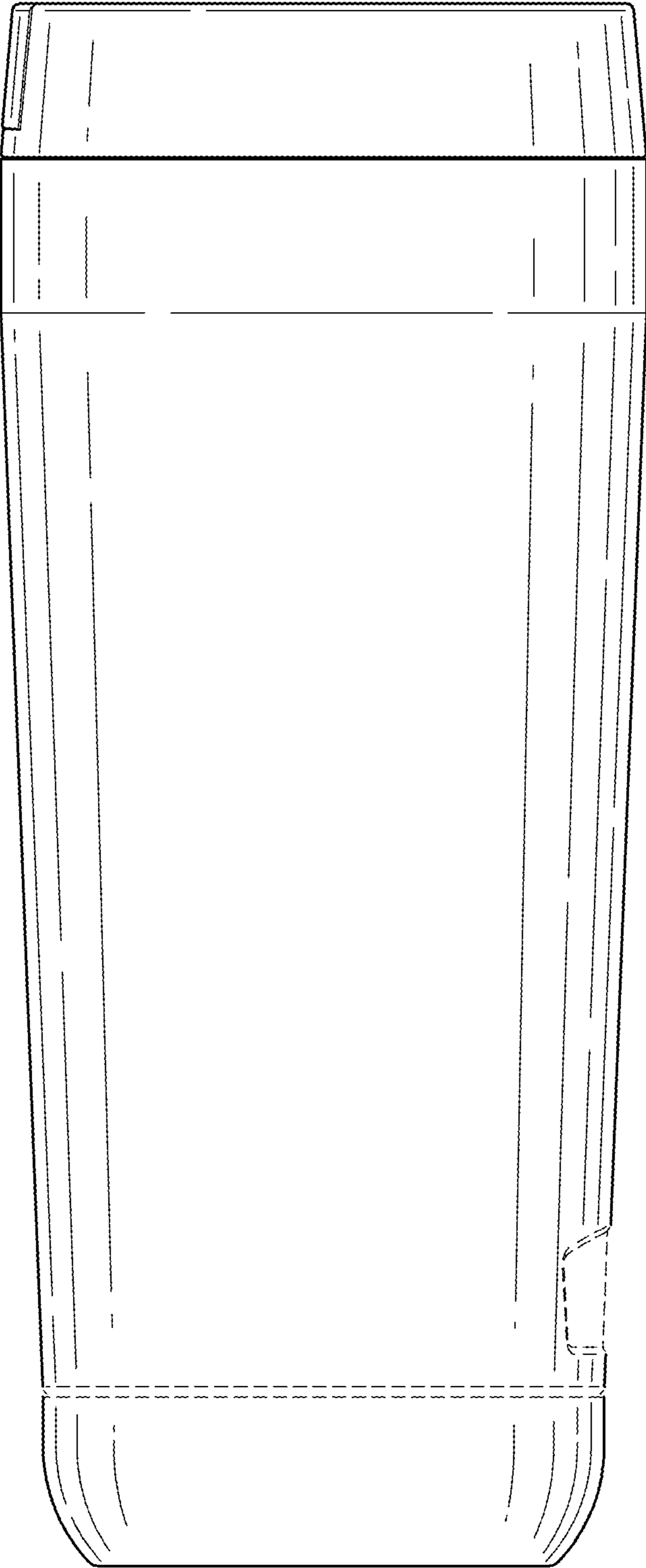


FIG. 4

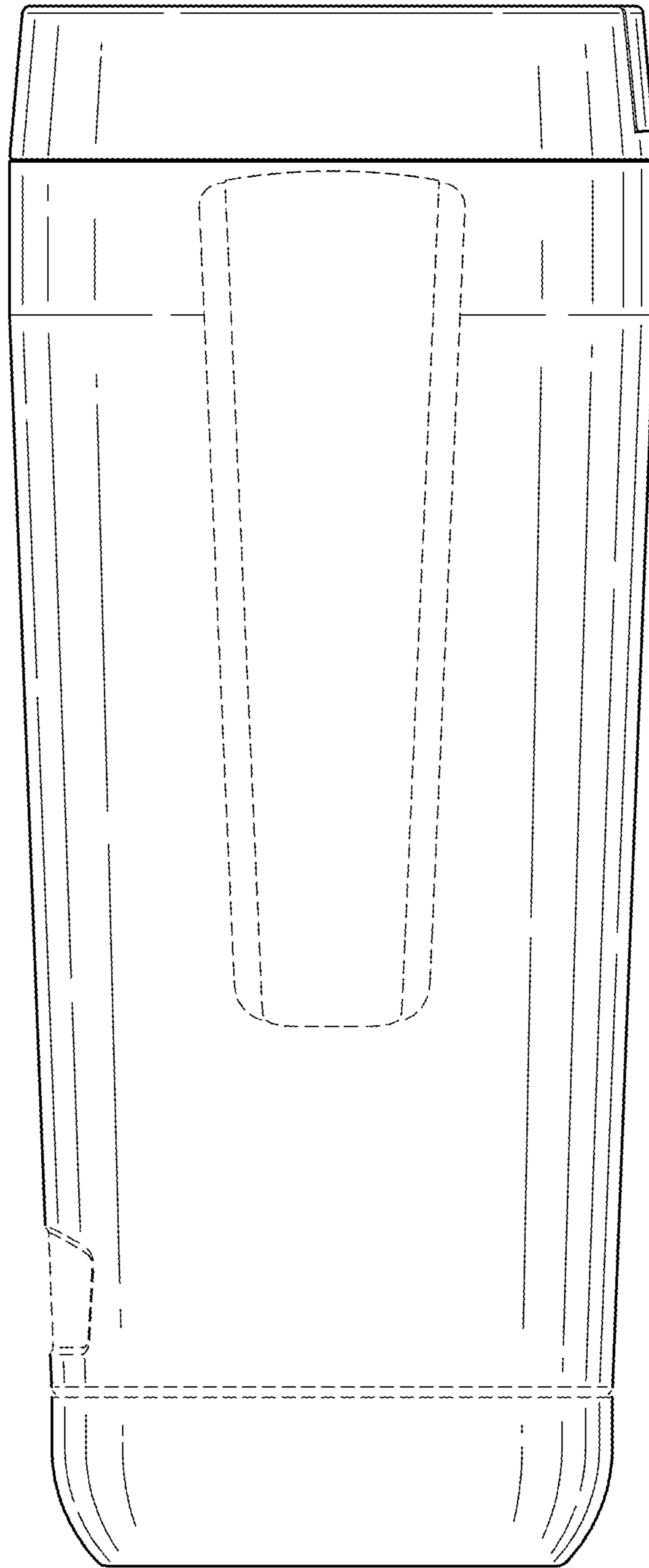


FIG. 5

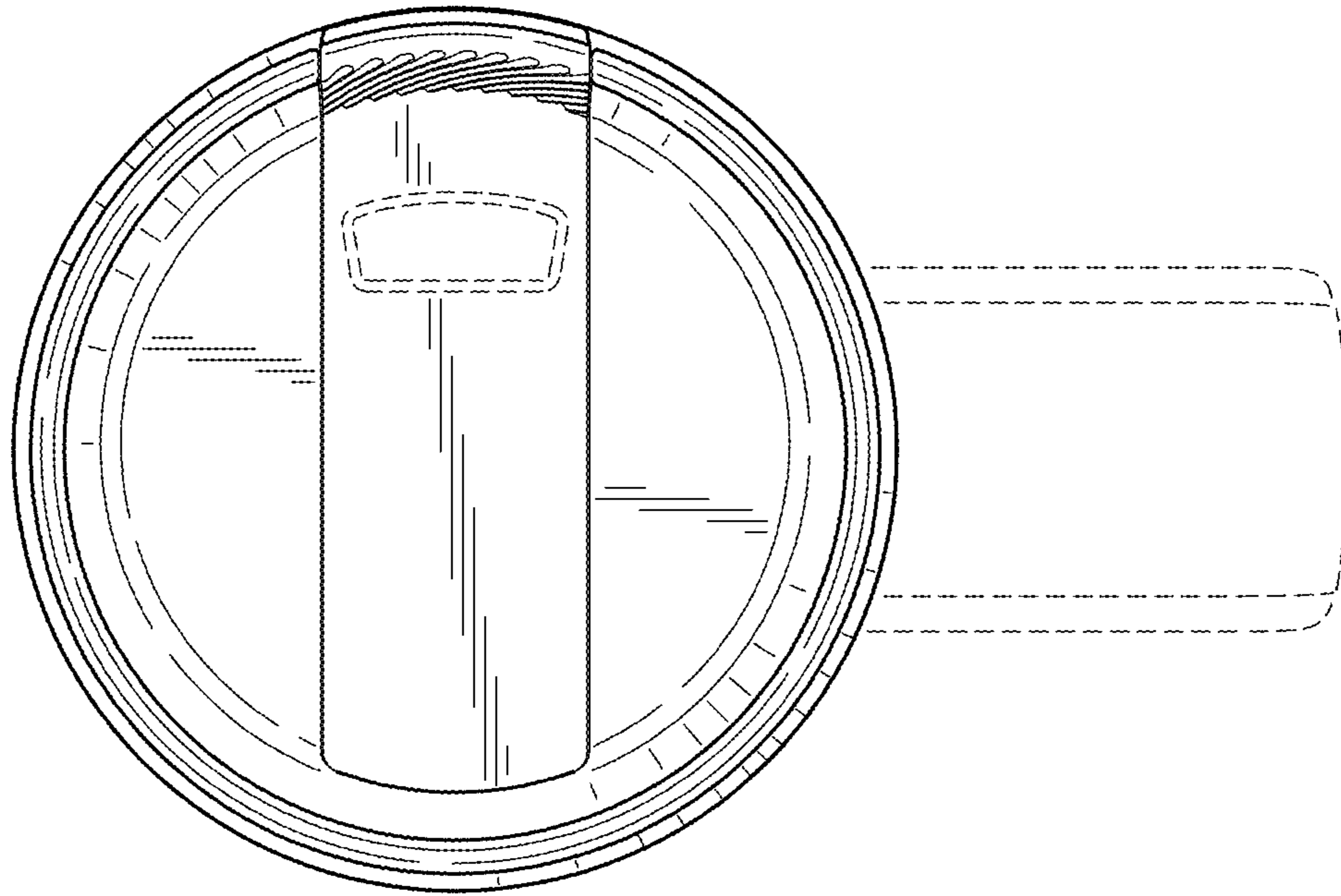


FIG. 6

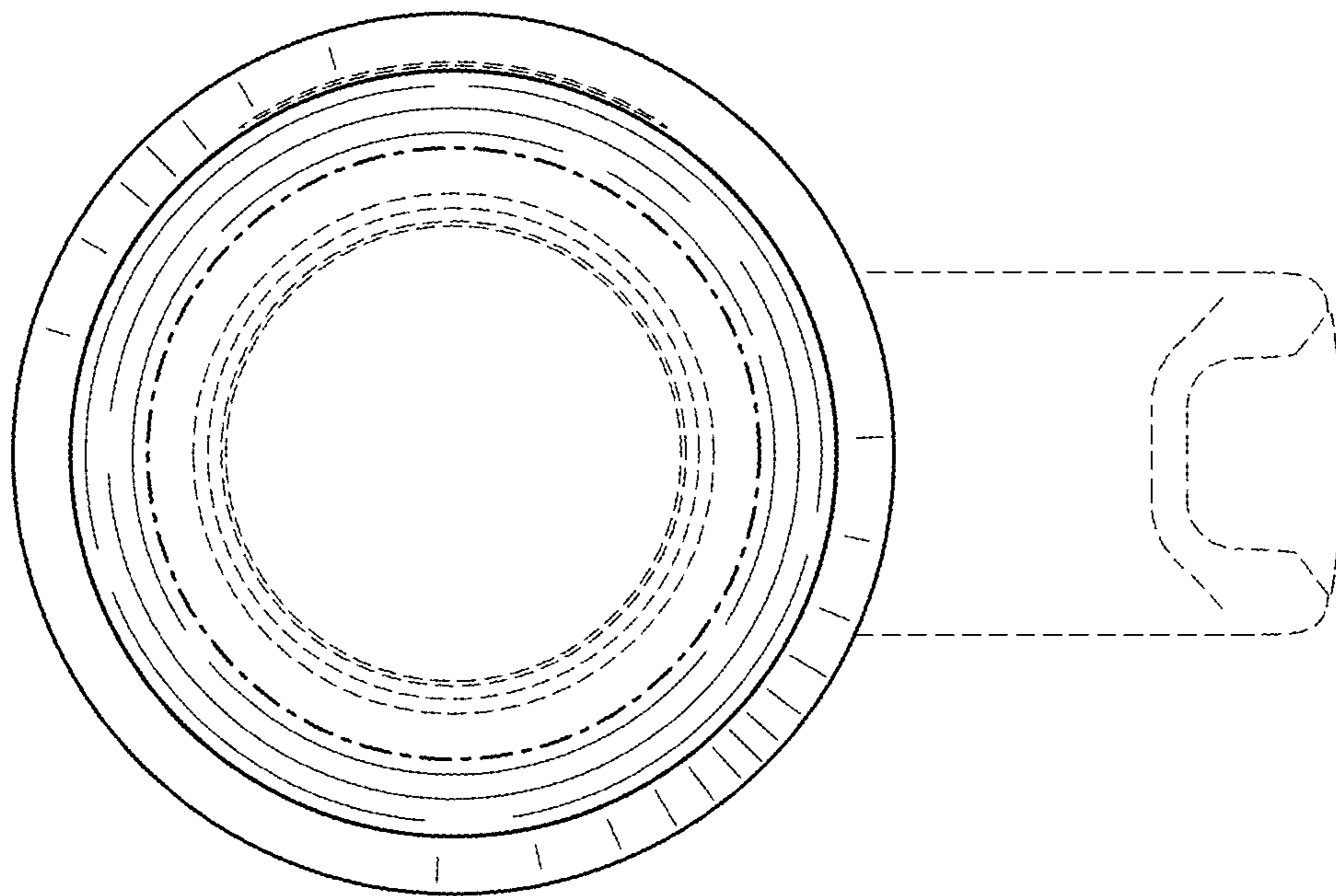


FIG. 7