

US00D893257S

(12) **United States Design Patent**
Tan

(10) **Patent No.:** **US D893,257 S**

(45) **Date of Patent:** **** Aug. 18, 2020**

(54) **KETTLE**

(71) Applicant: **Jingtao Tan**, Hunan (CN)

(72) Inventor: **Jingtao Tan**, Hunan (CN)

(73) Assignee: **Jingtao Tan**, Loudi (CN)

(**) Term: **15 Years**

(21) Appl. No.: **29/650,167**

(22) Filed: **Jun. 5, 2018**

(51) **LOC (12) Cl.** **07-01**

(52) **U.S. Cl.**
USPC **D7/510; D7/511; D7/531**

(58) **Field of Classification Search**
USPC D7/507, 509, 510, 511, 523, 532, 529,
D7/530, 531, 536, 514, 515, 392.1, 396.2;
D28/85, 87; D3/202
CPC A47G 19/22; A47G 19/2205; A47G
19/2272; A47J 41/02; A45F 3/16
See application file for complete search history.

(56) **References Cited**

U.S. PATENT DOCUMENTS

5,626,255	A *	5/1997	Myers	A47G 19/2266	220/705
D505,593	S *	5/2005	Chen	D7/319	
D669,734	S *	10/2012	Lemieux	D7/510	
D718,044	S *	11/2014	Vargo	D3/202	
D723,373	S *	3/2015	Wahl	D9/449	
D736,517	S *	8/2015	Lee	D3/202	
D749,363	S *	2/2016	Tacker	D7/510	

D812,894	S *	3/2018	Hume	D3/202	
D821,737	S *	7/2018	Hering	D3/202	
D826,548	S *	8/2018	Hume	D3/202	
D836,904	S *	1/2019	Arman	D3/202	
D838,472	S *	1/2019	Gauss	D3/202	
D862,238	S *	10/2019	Jack	D9/563	
2005/0247732	A1 *	11/2005	Duke	B65D 75/5883	222/183
2018/0050847	A1 *	2/2018	Herling	B65D 47/066	

* cited by examiner

Primary Examiner — Jae Liang

(74) *Attorney, Agent, or Firm* — Wayne & Ken, LLC;
Tony Hom

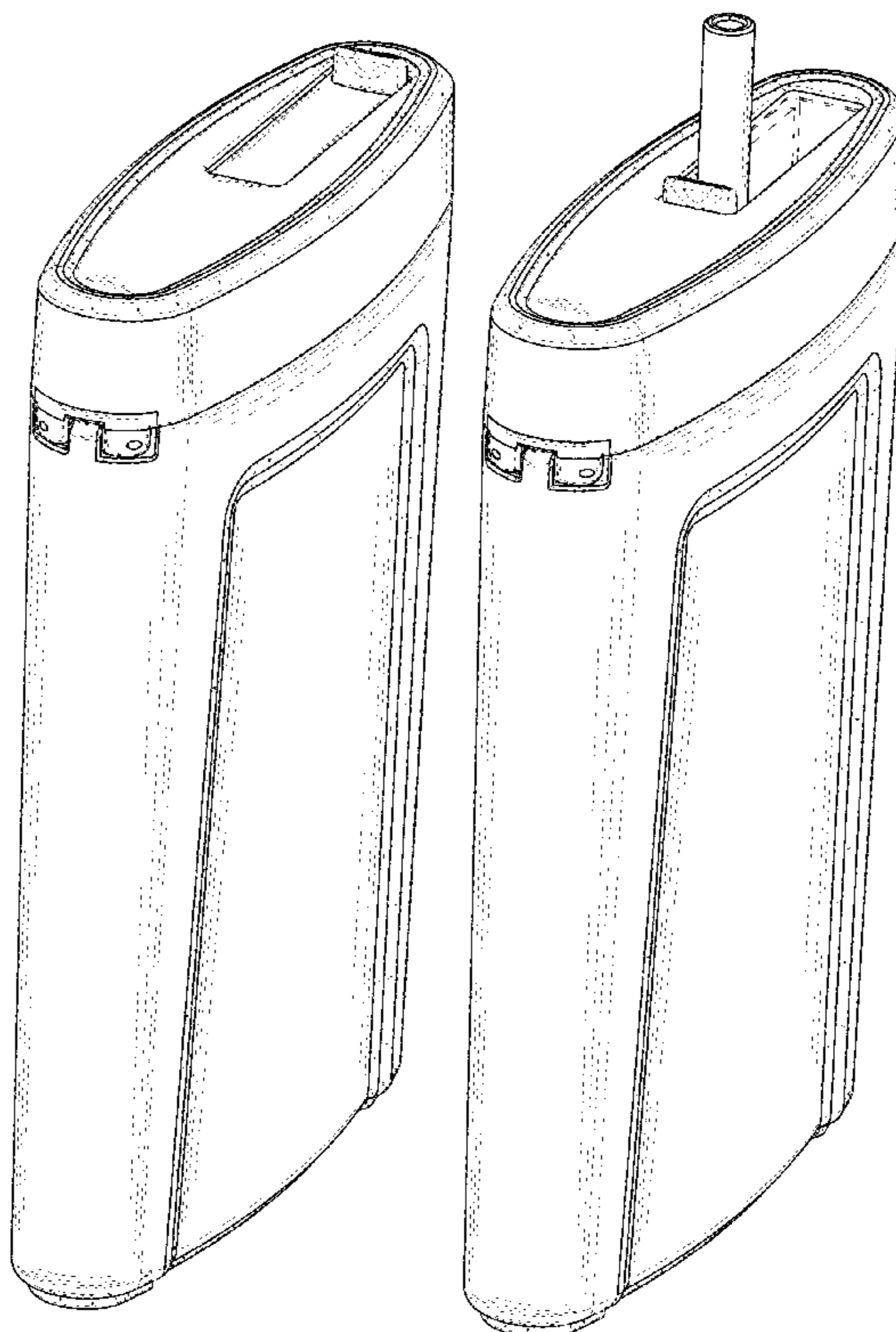
(57) **CLAIM**

A new, original, ornamental design for a kettle, as shown and described.

DESCRIPTION

FIG. 1 is a front view of a kettle showing my new design; FIG. 2 is a left view thereof; FIG. 3 is a right view thereof; FIG. 4 is a top view thereof; FIG. 5 is a bottom view thereof; FIG. 6 is a perspective view thereof; and, FIG. 7 is another perspective view thereof. A back view is completely mirrored with the front view, which is thus omitted in the drawings. The broken lines in the drawing depict environmental subject matter only and form no part of the claimed design.

1 Claim, 7 Drawing Sheets



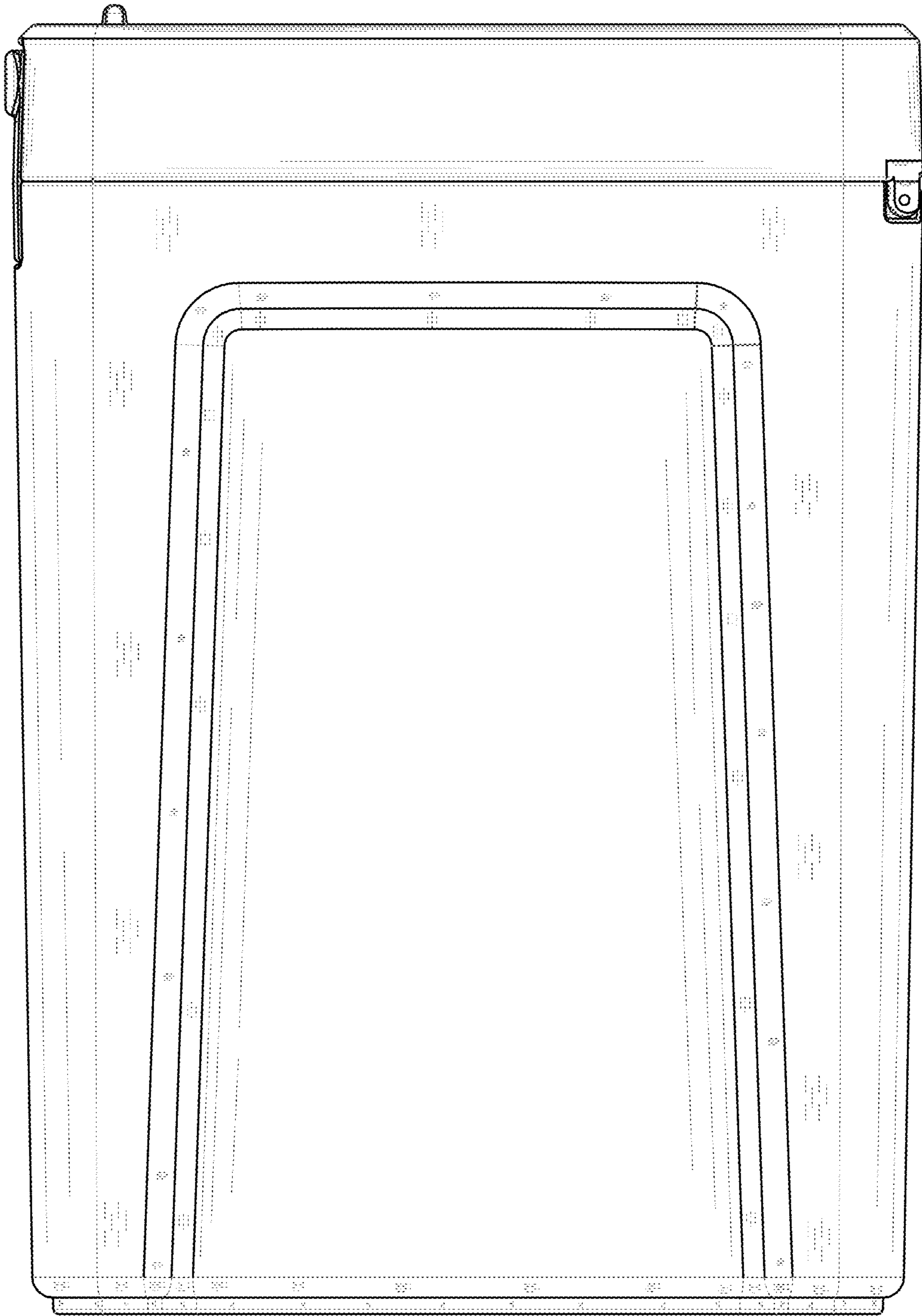


FIG. 1

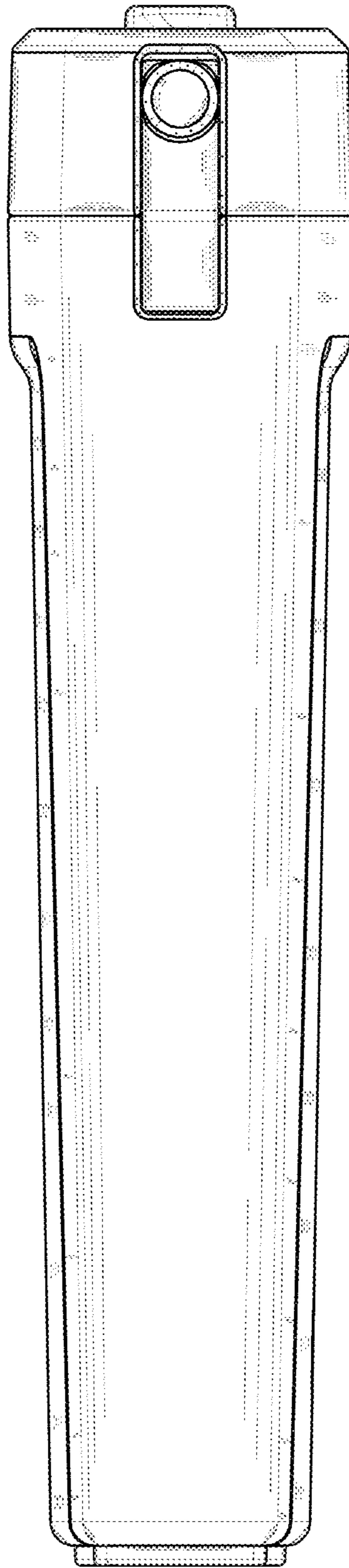


FIG. 2

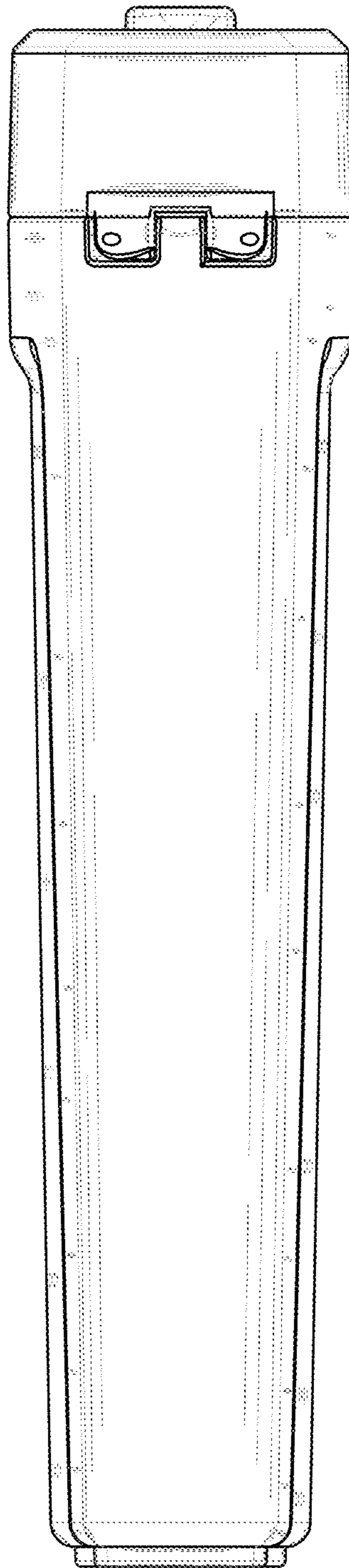


FIG. 3

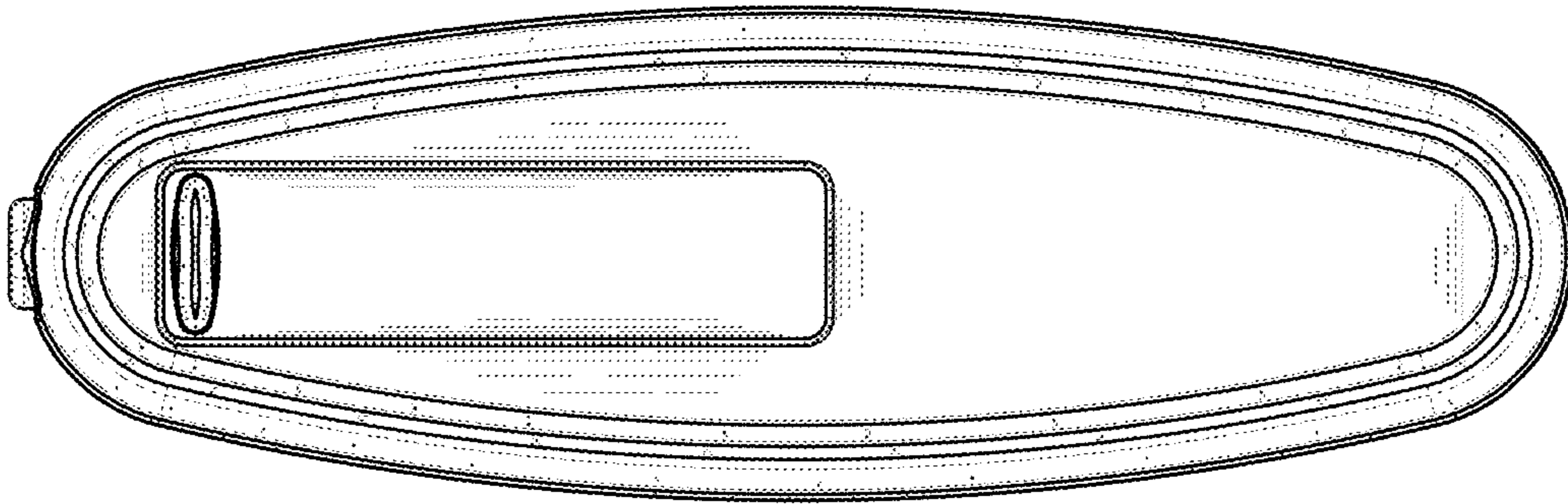


FIG. 4

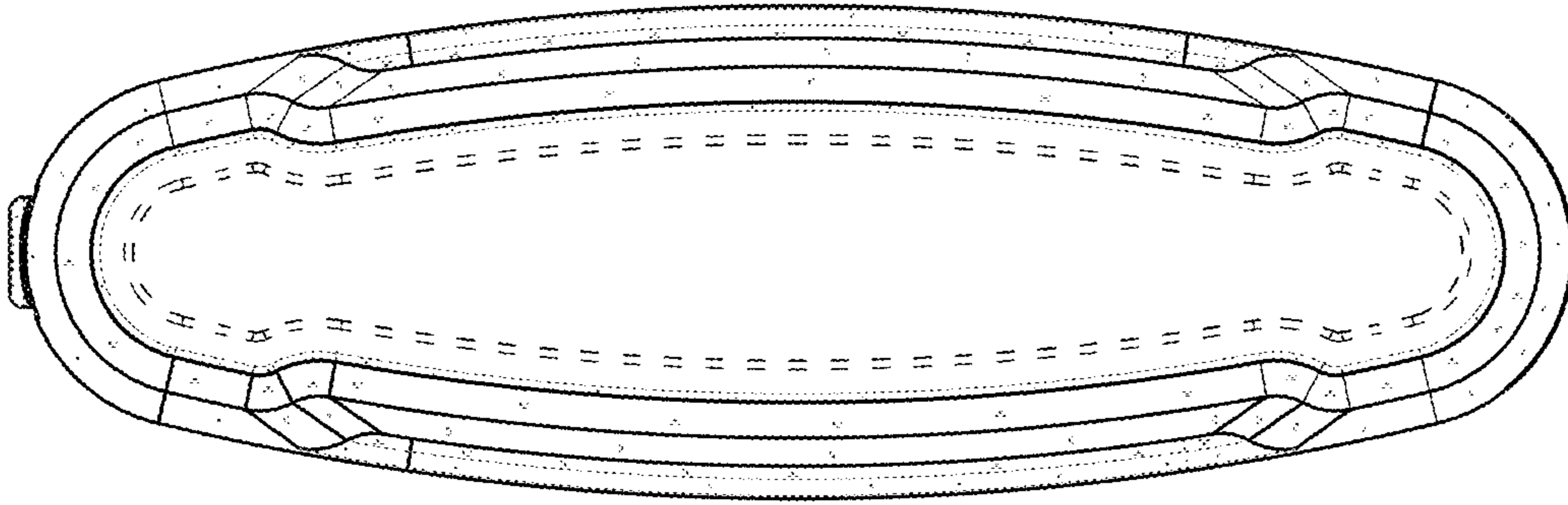


FIG. 5

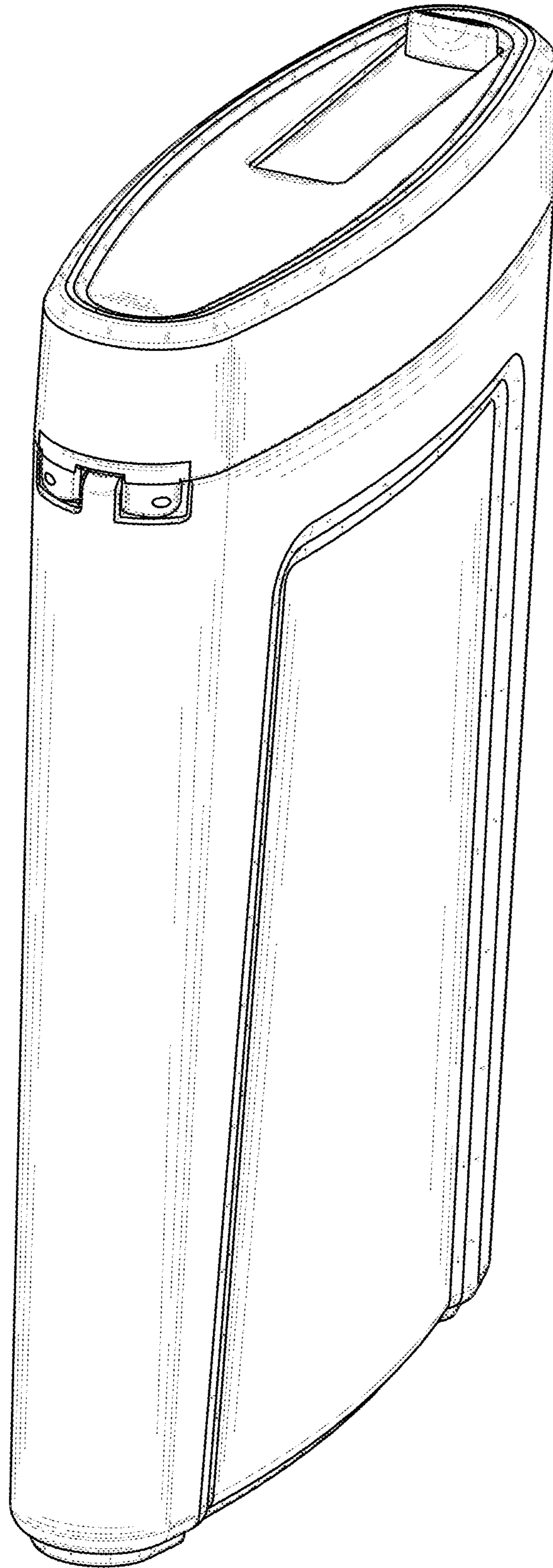


FIG. 6

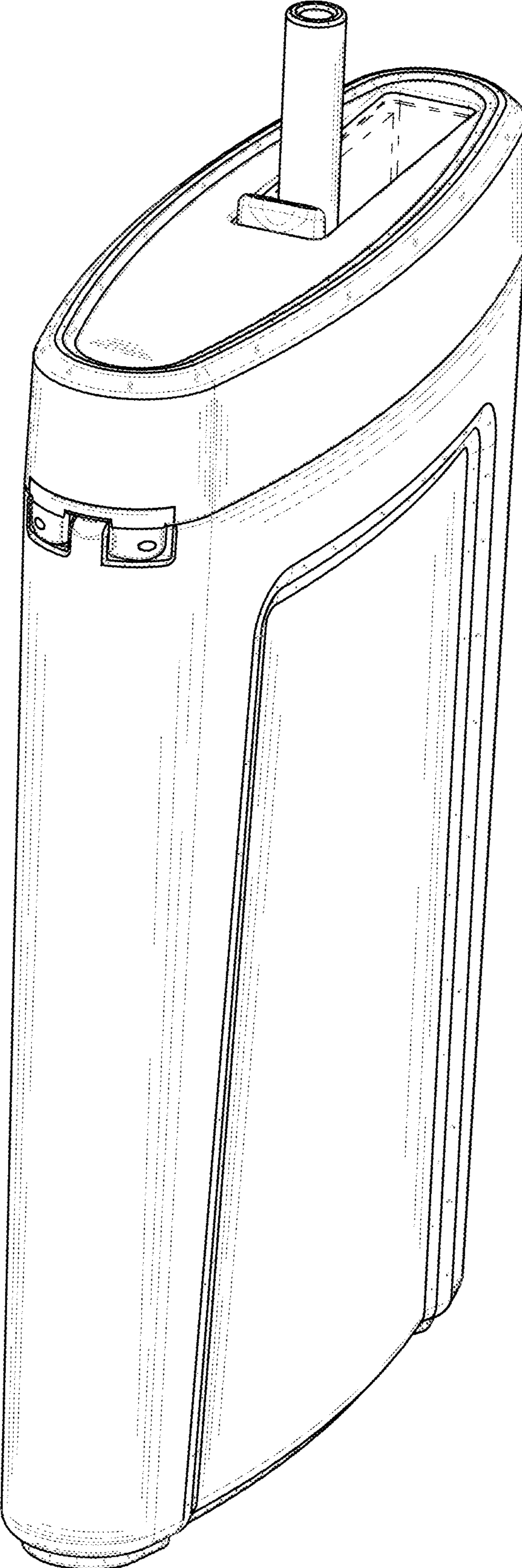


FIG. 7