



US00D893256S

(12) **United States Design Patent**
Pruitt et al.

(10) **Patent No.:** **US D893,256 S**
(45) **Date of Patent:** **** Aug. 18, 2020**

(54) **DEVICE FOR CONVERSION OF A KAMADO COOKER TO A PIZZA OVEN**

(71) Applicant: **Align Machine Works, LLC**, Athens, GA (US)

(72) Inventors: **Joseph Pruitt**, Athens, GA (US);
Jeffrey Broadrick, Athens, GA (US);
David Matthew Williams Hemming, Surprise, AZ (US)

(73) Assignee: **Align Machine Works, LLC**, Athens, GA (US)

(**) Term: **15 Years**

(21) Appl. No.: **29/679,114**

(22) Filed: **Feb. 1, 2019**

(51) **LOC (12) Cl.** **07-02**

(52) **U.S. Cl.**
USPC **D7/409**

(58) **Field of Classification Search**
USPC D7/323, 332, 335-337, 354-355,
D7/359-364, 387-388, 402, 407-409
CPC A21B 2/00; A21B 3/00; A21B 3/13; A21B
3/15; A21B 5/00; A21B 5/02; A23N
12/06; A23N 12/08; A23N 12/10; A47J
37/00; A47J 37/04; A47J 37/041; A47J
37/042; A47J 37/06; A47J 37/0688; A47J
37/0694; A47J 37/07; A47J 37/0704;
A47J 37/10; A47J 47/20; A47J 2037/00;
A47J 2037/06; A47J 2037/0611; A47J
2037/07; A47J 2037/0786; A47J
2037/0795; F24C 15/10; F24C 15/12;
F24C 15/14; F24C 15/16; F24C 15/18;
F24C 15/107; F24C 15/164

See application file for complete search history.

(56) **References Cited**

U.S. PATENT DOCUMENTS

D262,178 S * 12/1981 Barber D7/335
D429,952 S * 8/2000 Cragg D7/332

D430,991 S * 9/2000 Cragg D7/334
6,929,001 B2 * 8/2005 Yoon A47J 37/0704
126/25 AA
D545,124 S * 6/2007 Hawkins D7/409
9,237,828 B2 * 1/2016 Walters A47J 37/0704
D766,037 S * 9/2016 Johnston D7/409
D781,647 S * 3/2017 Bogazzi D7/402
D822,435 S * 7/2018 George D7/409
D832,045 S * 10/2018 Nadal D7/402

(Continued)

Primary Examiner — Ricky Pham

(74) *Attorney, Agent, or Firm* — Smith Tempel Blaha
LLC; Matthew T. Hoots

(57) **CLAIM**

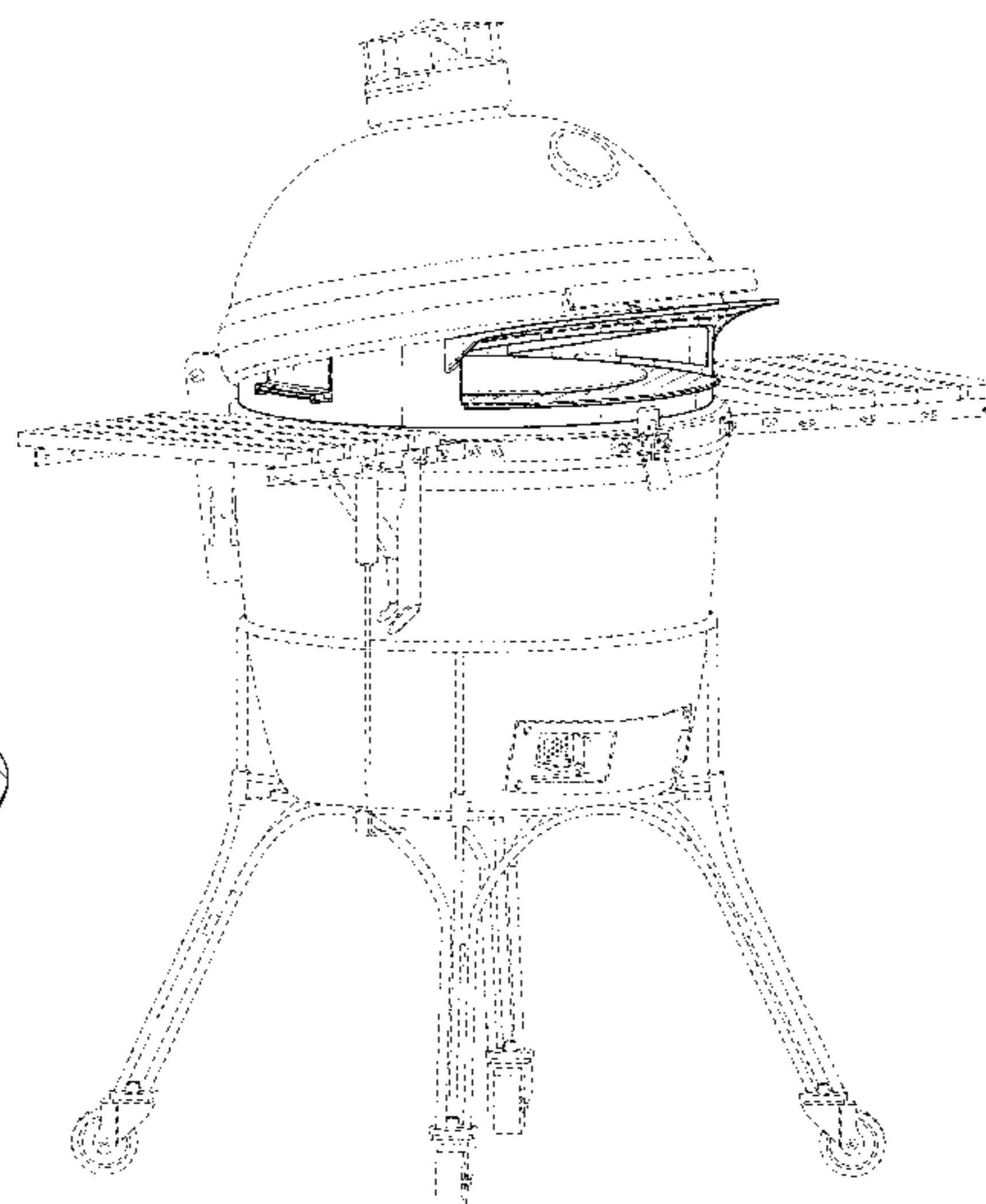
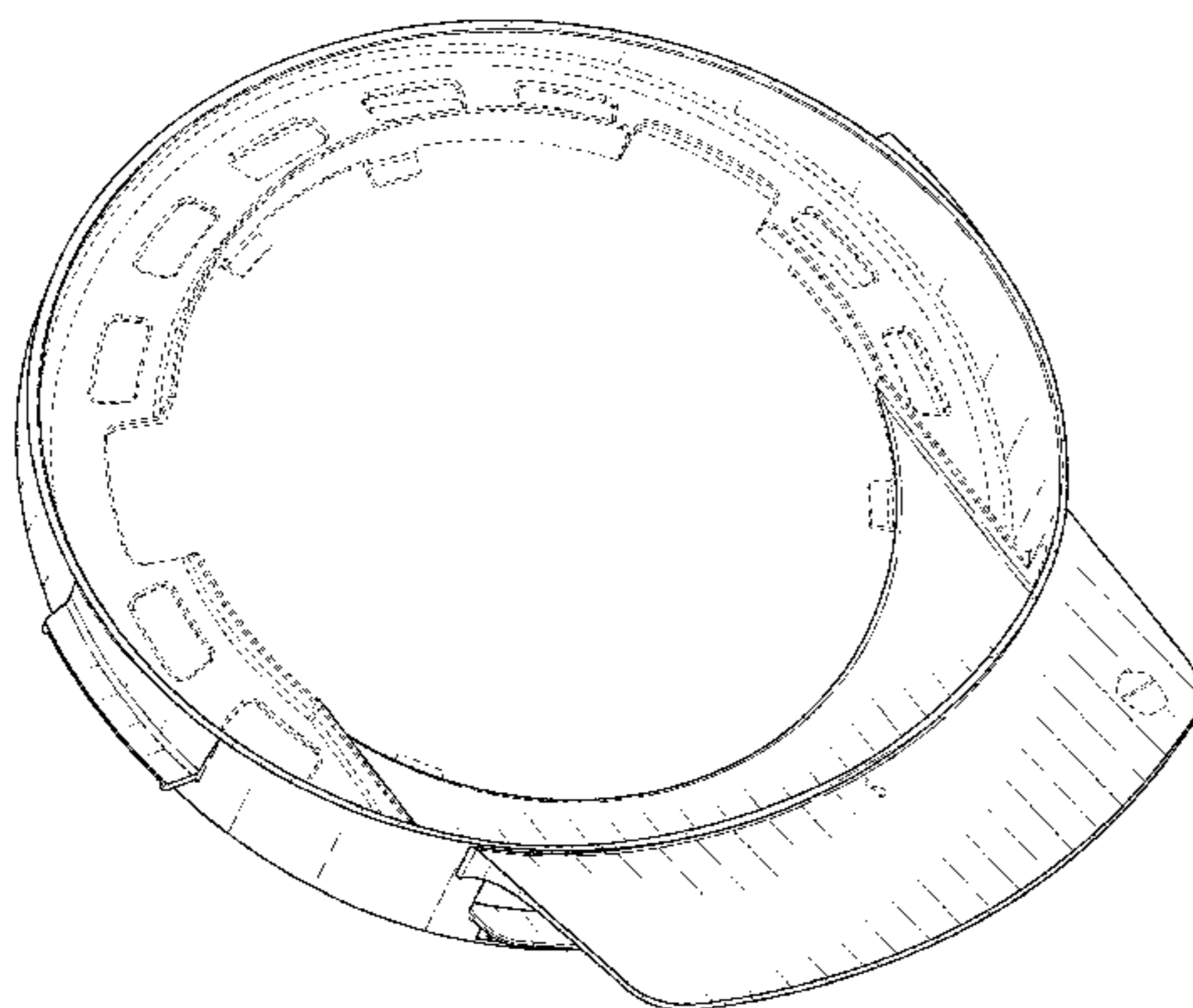
The ornamental design for a device for conversion of a kamado cooker to a pizza oven, as shown and described.

DESCRIPTION

FIG. 1 is a top perspective view of a device for conversion of a kamado cooker to a pizza oven showing our new design; FIG. 2 is a bottom perspective view thereof; FIG. 3 is a front view thereof; FIG. 4 is a rear view thereof; FIG. 5 is a left-side view thereof; FIG. 6 is a right-side view thereof; FIG. 7 is a top view thereof; FIG. 8 is a bottom view thereof; and, FIG. 9 is an illustration of the device for conversion of a kamado cooker to a pizza oven of FIG. 1 deployed within a kamado cooker.

The broken line showing of the kamado cooker in FIG. 9 depicts environment; the remaining broken lines in the drawings depict portions of the device for conversion of a kamado cooker to a pizza oven. The broken lines form no part of the claimed design.

1 Claim, 7 Drawing Sheets



(56)

References Cited

U.S. PATENT DOCUMENTS

10,159,381 B2 * 12/2018 Walters A47J 37/0704
2017/0164784 A1 * 6/2017 Rummel A47J 37/041

* cited by examiner

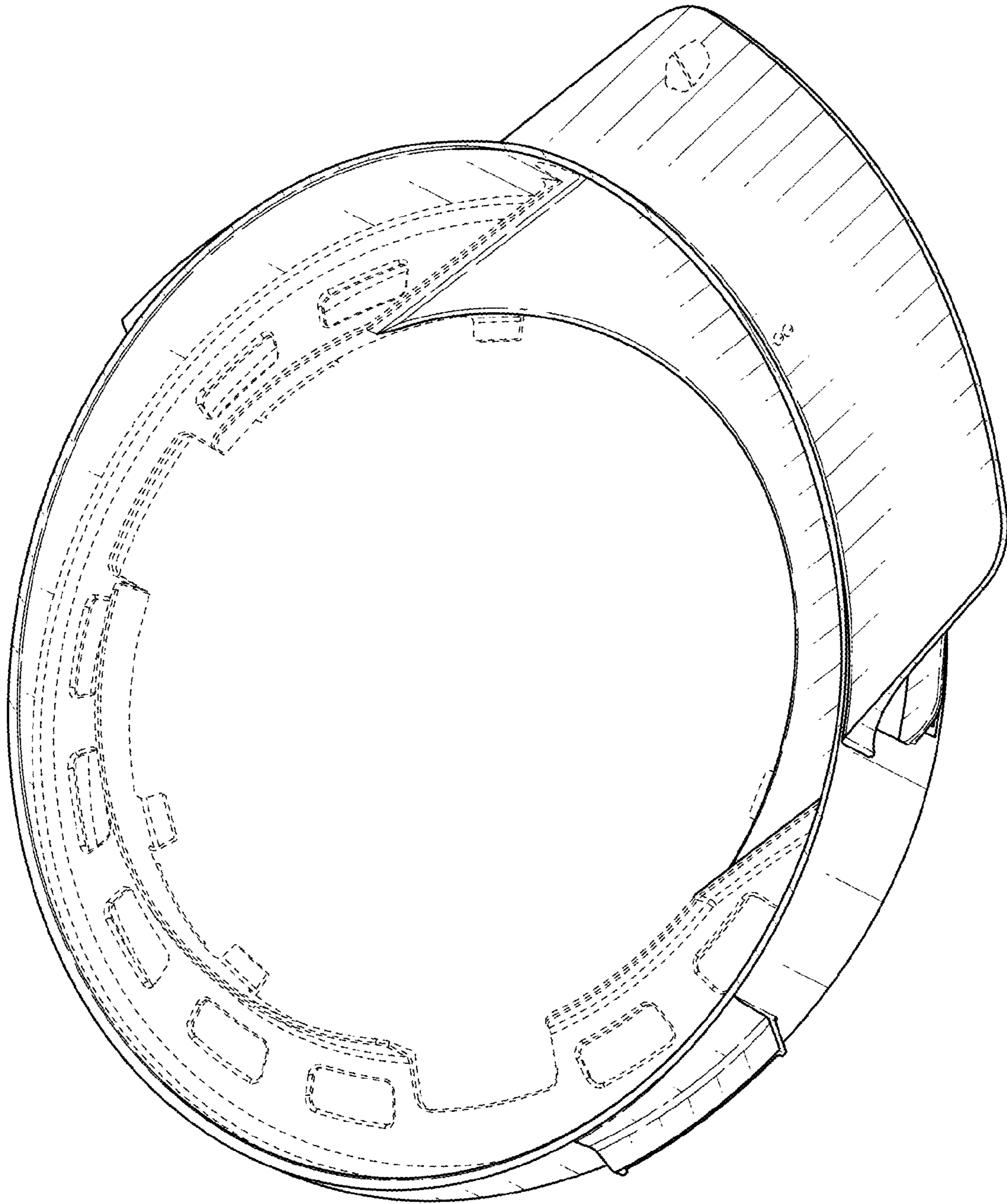


FIG. 1

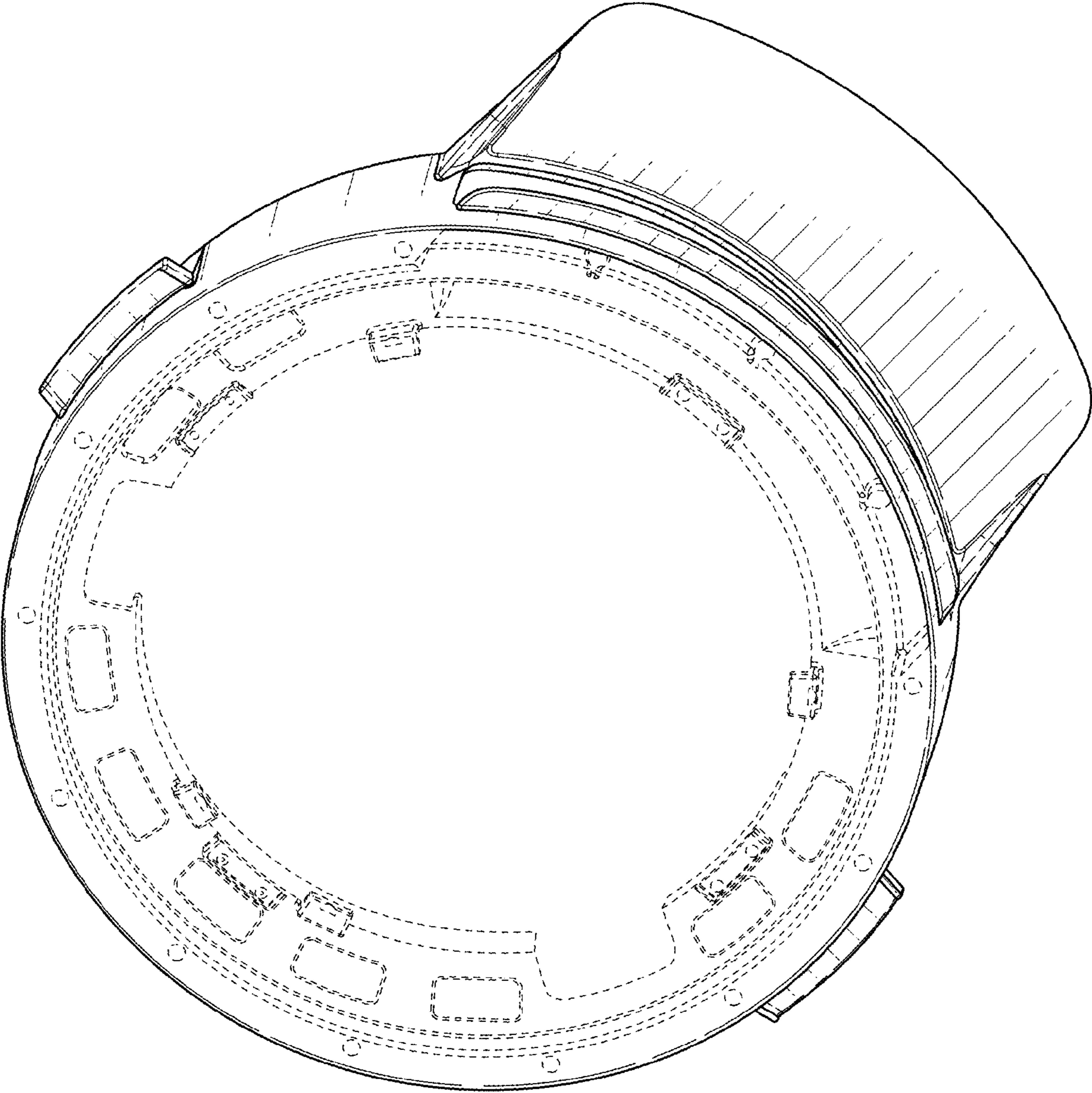


FIG. 2

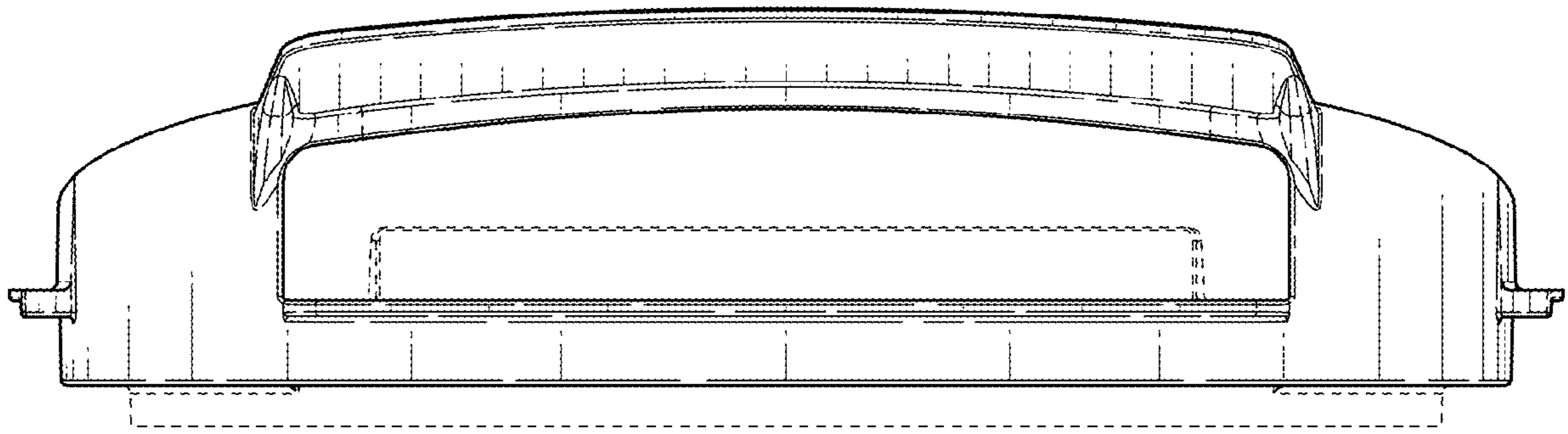


FIG. 3

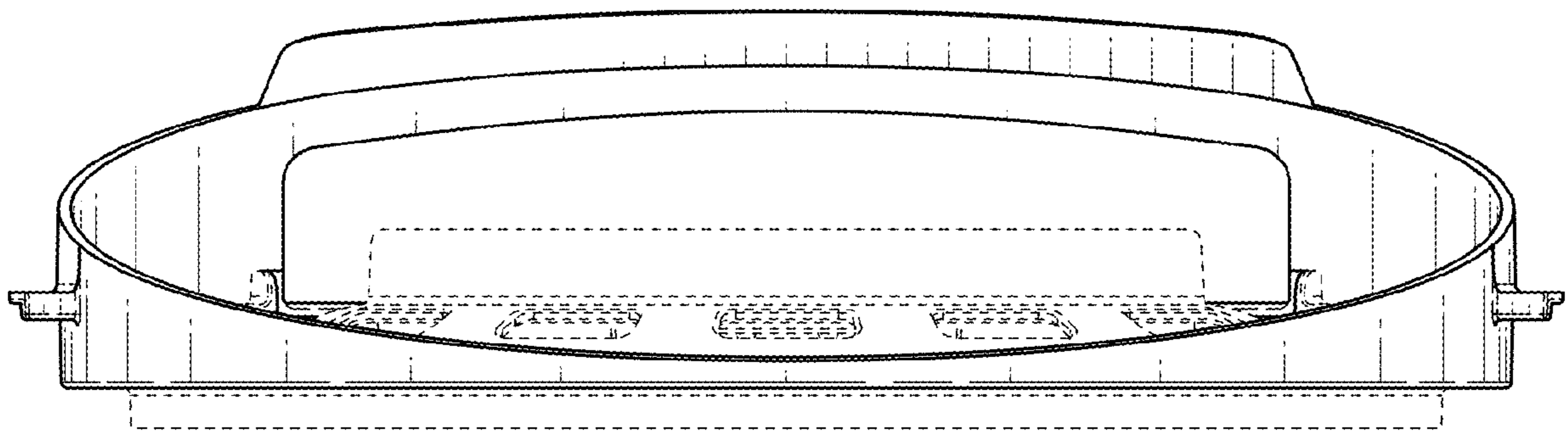


FIG. 4

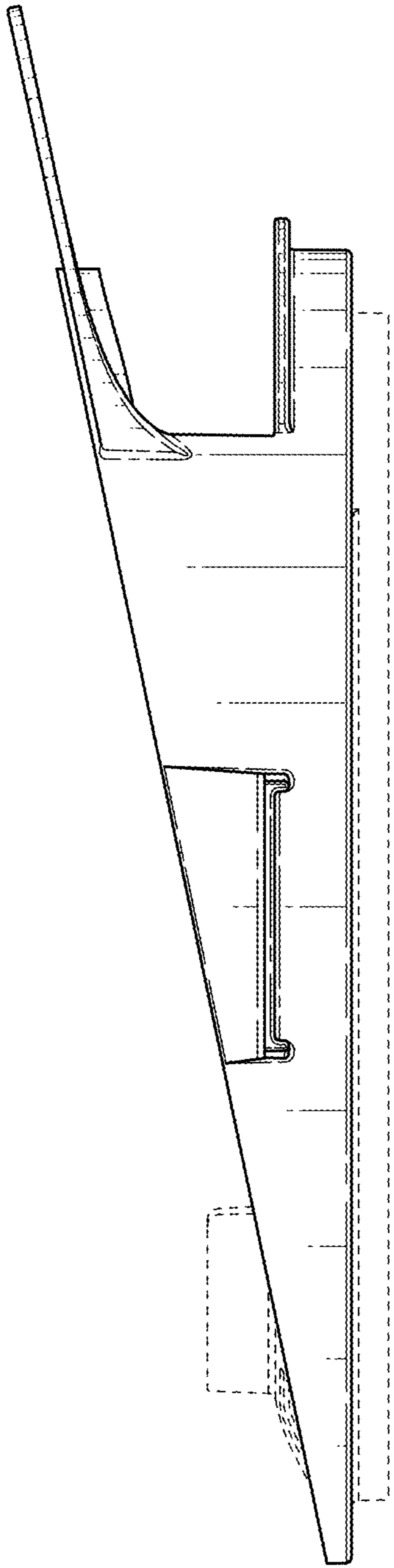


FIG. 5

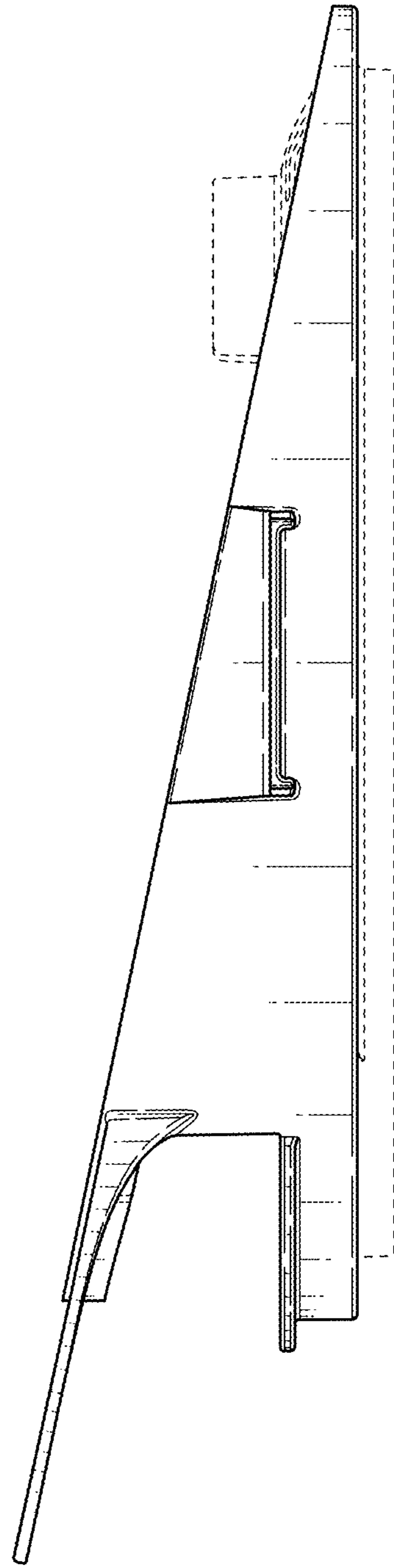


FIG. 6

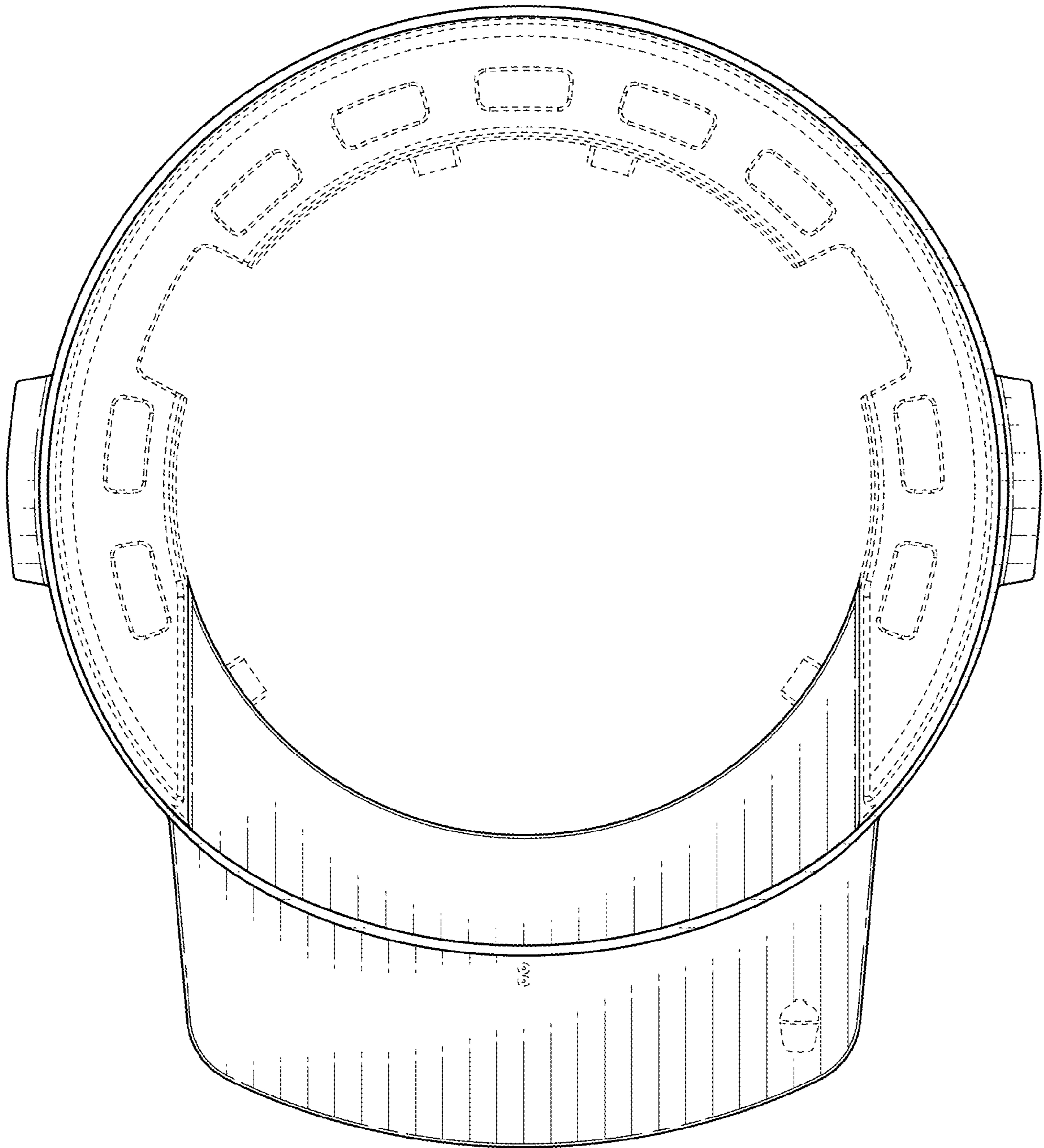


FIG. 7

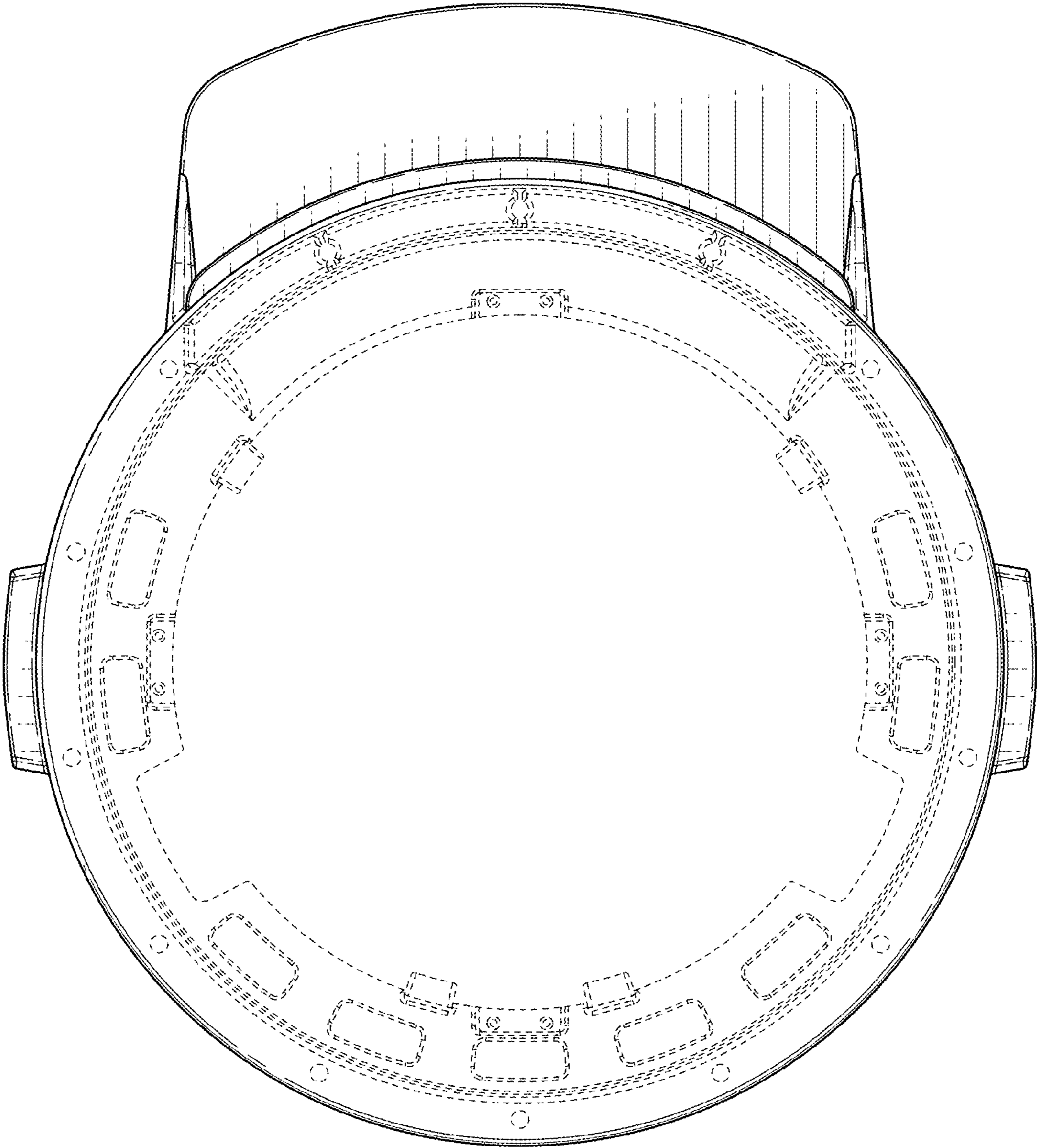


FIG. 8

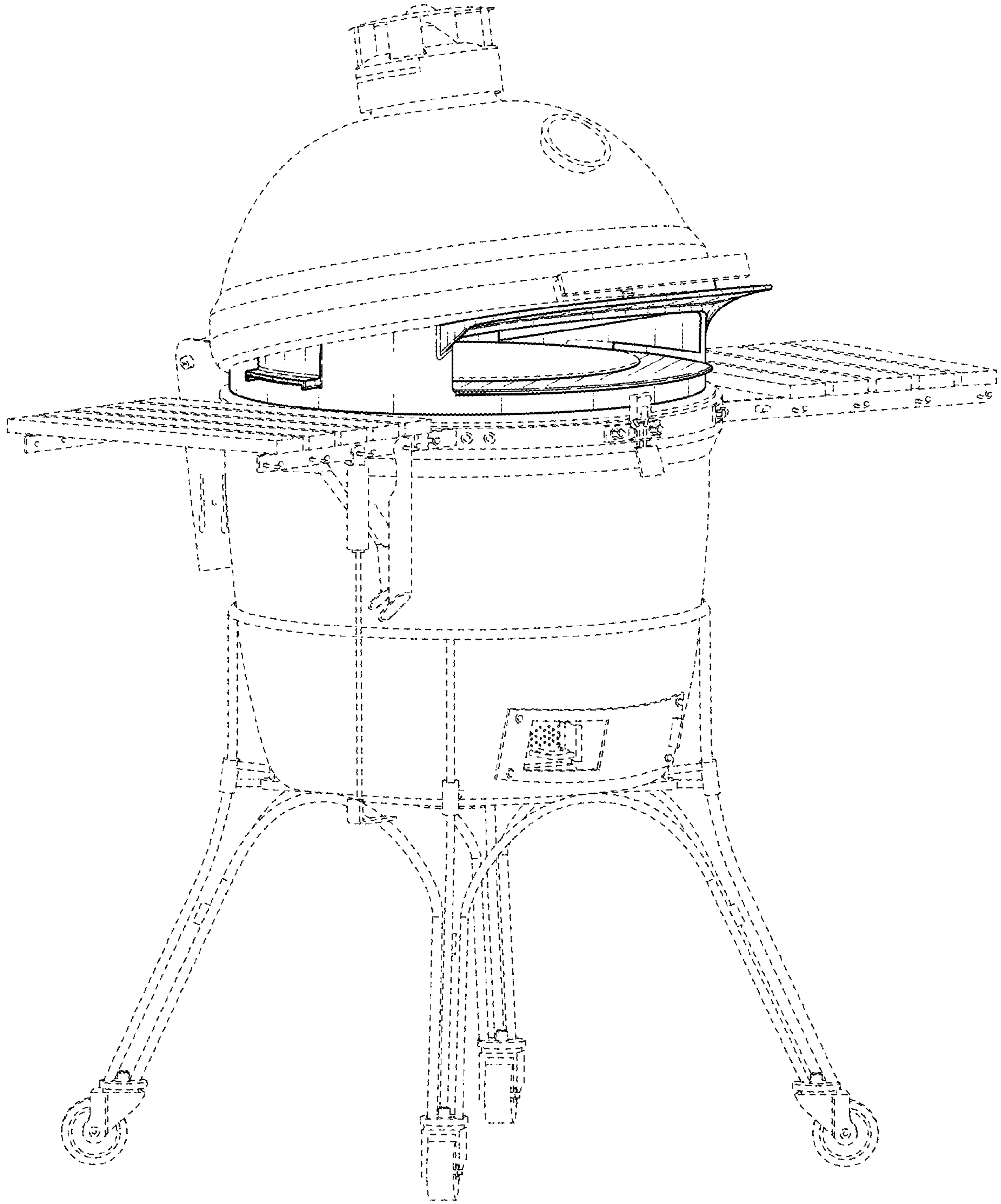


FIG. 9