

US00D893253S

(12) **United States Design Patent** (10) **Patent No.:** **US D893,253 S**
Kwon et al. (45) **Date of Patent:** **** Aug. 18, 2020**

(54) **MICROWAVE OVEN**
 (71) Applicant: **LG ELECTRONICS INC.**, Seoul (KR)
 (72) Inventors: **Hongsik Kwon**, Seoul (KR); **Inhwan Ryu**, Seoul (KR); **Suhyeon Son**, Seoul (KR); **Sooyeon Kim**, Seoul (KR); **Songyi Han**, Seoul (KR)
 (73) Assignee: **LG Electronics Inc.**, Seoul (KR)
 (**) Term: **15 Years**

D527,948 S * 9/2006 Bengtson D7/349
 D592,009 S * 5/2009 Crookshanks D7/405
 D612,206 S * 3/2010 Baker D7/402
 D612,207 S * 3/2010 Baker D7/402
 D626,782 S * 11/2010 Busalt D7/349
 D651,460 S * 1/2012 Sadtler D7/405
 D678,721 S * 3/2013 Roberson D7/405
 D690,158 S * 9/2013 Baek D7/405
 D696,069 S * 12/2013 Roberson D7/405
 D728,300 S * 5/2015 Borjesson D7/349
 D728,309 S * 5/2015 Borjesson D7/405
 D773,880 S * 12/2016 McConnell D7/339
 D805,831 S * 12/2017 Sadtler D7/309
 D861,426 S * 10/2019 Kang D7/405

(Continued)

(21) Appl. No.: **35/507,108**

(22) Filed: **Jan. 15, 2019**

(80) **Hague Agreement Data**

Int. Filing Date: **Jan. 15, 2019**
 Int. Reg. No.: **DM/201064**
 Int. Reg. Date: **Jan. 15, 2019**
 Int. Reg. Pub. Date: **Jul. 19, 2019**

(51) **LOC (12) Cl.** **07-99**

(52) **U.S. Cl.**
USPC **D7/405**

(58) **Field of Classification Search**
 USPC D7/323, 338, 339, 347, 348, 350.1,
 D7/350.2, 350.3, 351, 405
 CPC .. H05B 1/0261; H05B 1/0263; H05B 1/0266;
 F24C 3/00; F24C 3/002; F24C 3/008;
 F24C 5/00; F24C 7/00; F24C 15/02;
 F24C 15/024

See application file for complete search history.

(56) **References Cited**

U.S. PATENT DOCUMENTS

D70,886 S * 8/1926 Moore D7/405
 D247,948 S * 5/1978 Takeuchi D7/351
 D275,724 S * 10/1984 Kenichi D7/351
 D379,734 S * 6/1997 Baldwin D7/405

OTHER PUBLICATIONS

Screenshot: Mattradition Microwave Oven. Undated; one page.
 Found online Apr. 23, 2020 at: <https://www.ikea.com/gb/en/p/mattradition-microwave-oven-stainless-steel-40368789/> (Year: 2020).*

(Continued)

Primary Examiner — Robert M. Spear
 (74) *Attorney, Agent, or Firm* — Birch, Stewart, Kolasch & Birch, LLP

(57) **CLAIM**

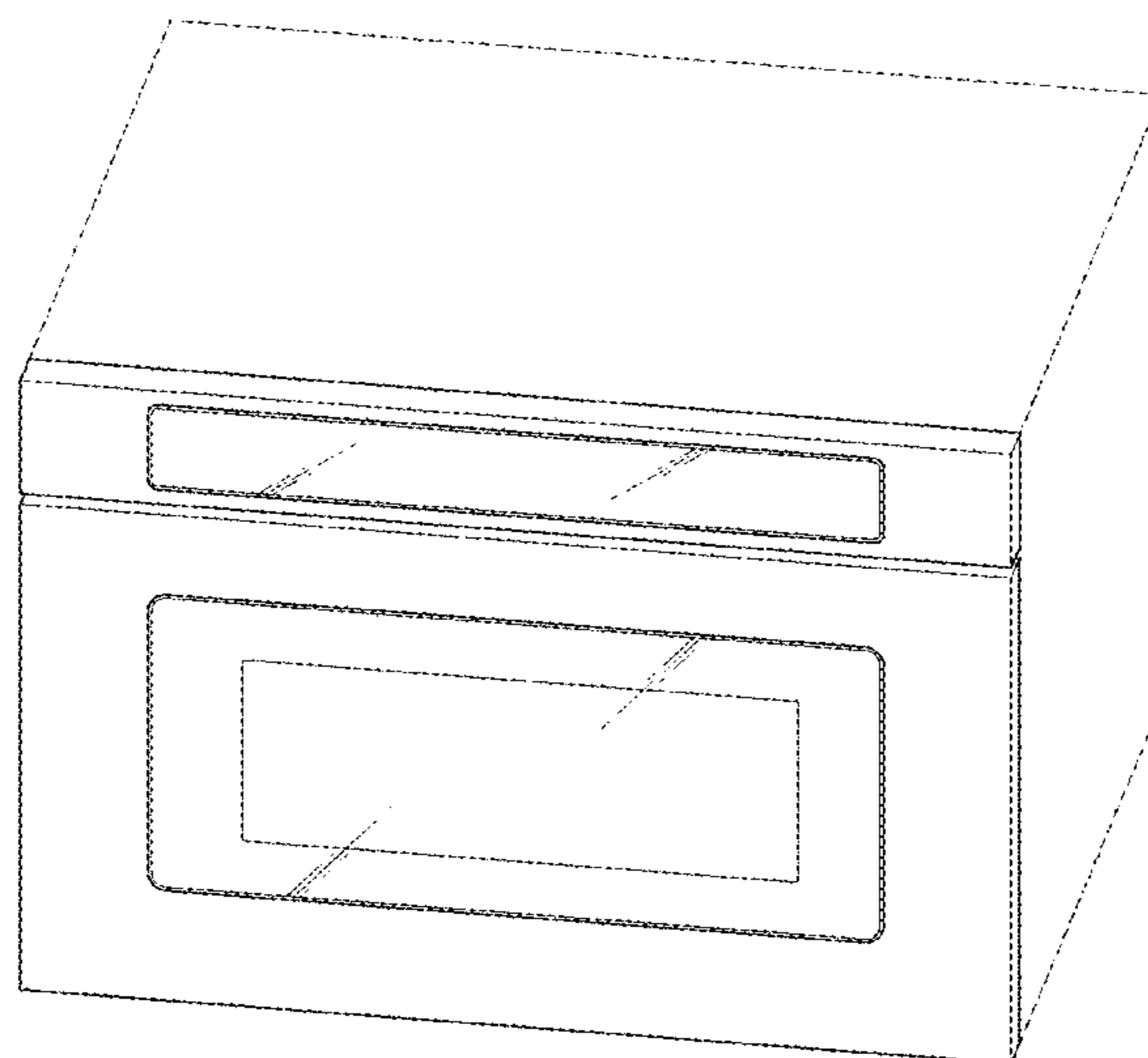
The ornamental design for a microwave oven, as shown and described.

DESCRIPTION

1. Microwave oven
- 1.1 : Perspective
- 1.2 : Front
- 1.3 : Back
- 1.4 : Left
- 1.5 : Right
- 1.6 : Top
- 1.7 : Bottom

The broken lines in the reproductions depict environment and form no part of the claim.

1 Claim, 7 Drawing Sheets



(56)

References Cited

U.S. PATENT DOCUMENTS

D871,135 S * 12/2019 Sadtler D7/399
2018/0168007 A1 * 6/2018 Hall H05B 6/6402

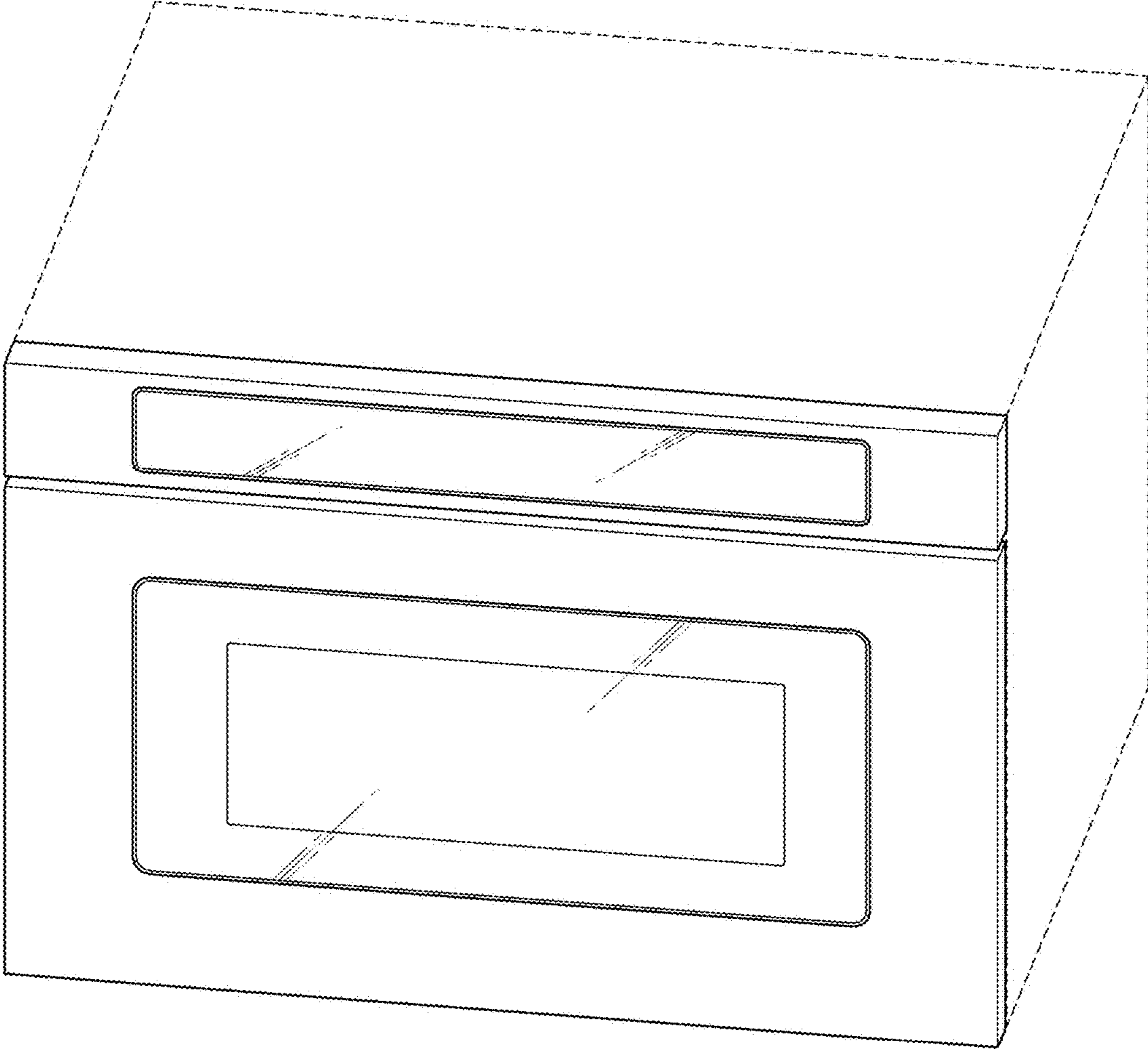
OTHER PUBLICATIONS

Screenshot: Viking 24 Inch Wide 1.2 Cu. Ft. 1000 Watt Undercounter Drawer Microwave with 12 Sensor Cook Settings. Undated; one page. Found online Apr. 23, 2020 at <https://www.build.com/viking-vmod5240/s1247380?uid=2982139#reviews> (Year: 2020).*

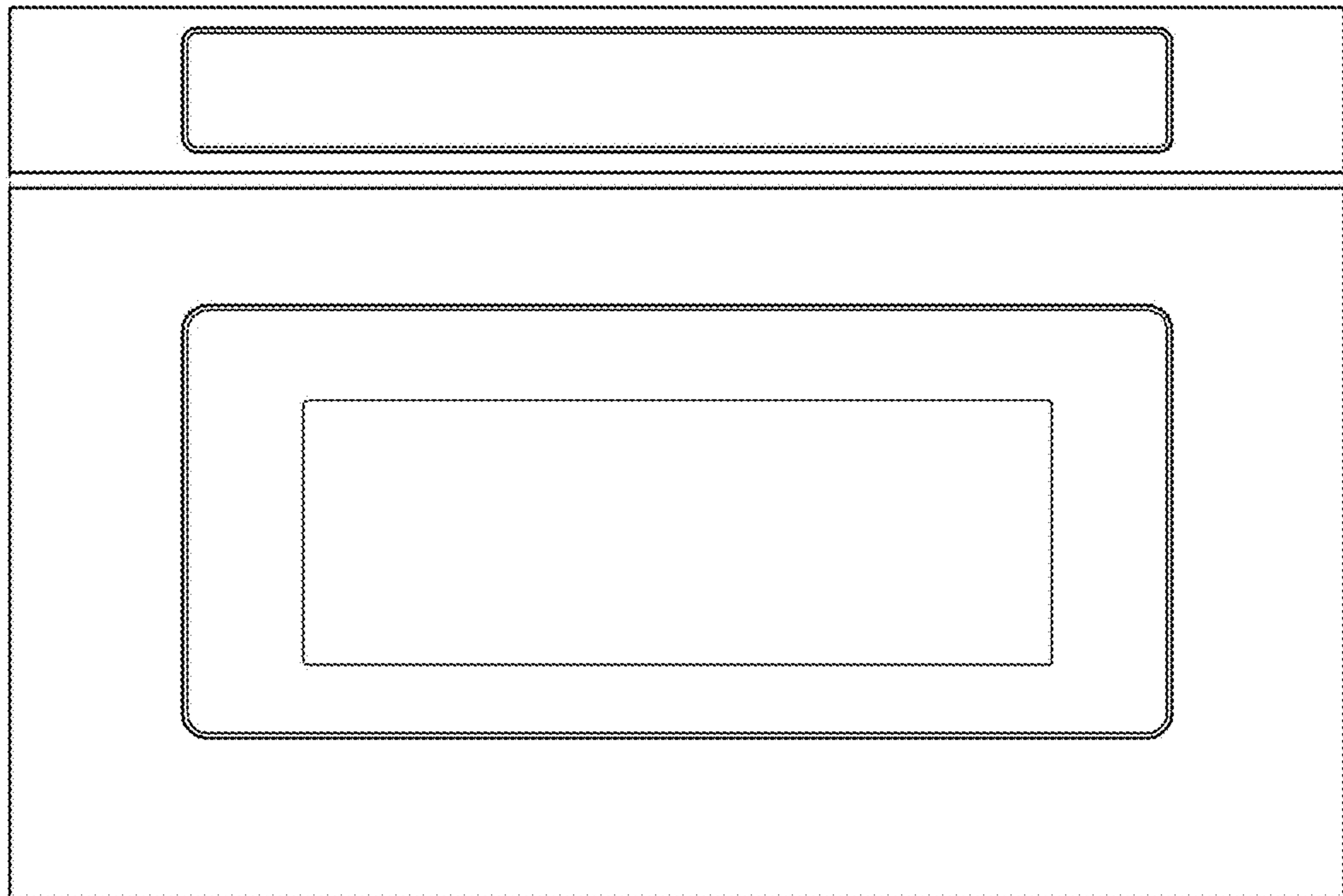
Screenshot: Sharp 24 Inch Wide 1.2 Cu. Ft. Microwave Drawer with Push Button Opening. Undated; 3 pages. Found online Apr. 23, 2020 at: <https://www.build.com/sharp-smd2470a/s1202771?uid=2878075> (Year: 2020).*

* cited by examiner

1.1



1.2



1.3



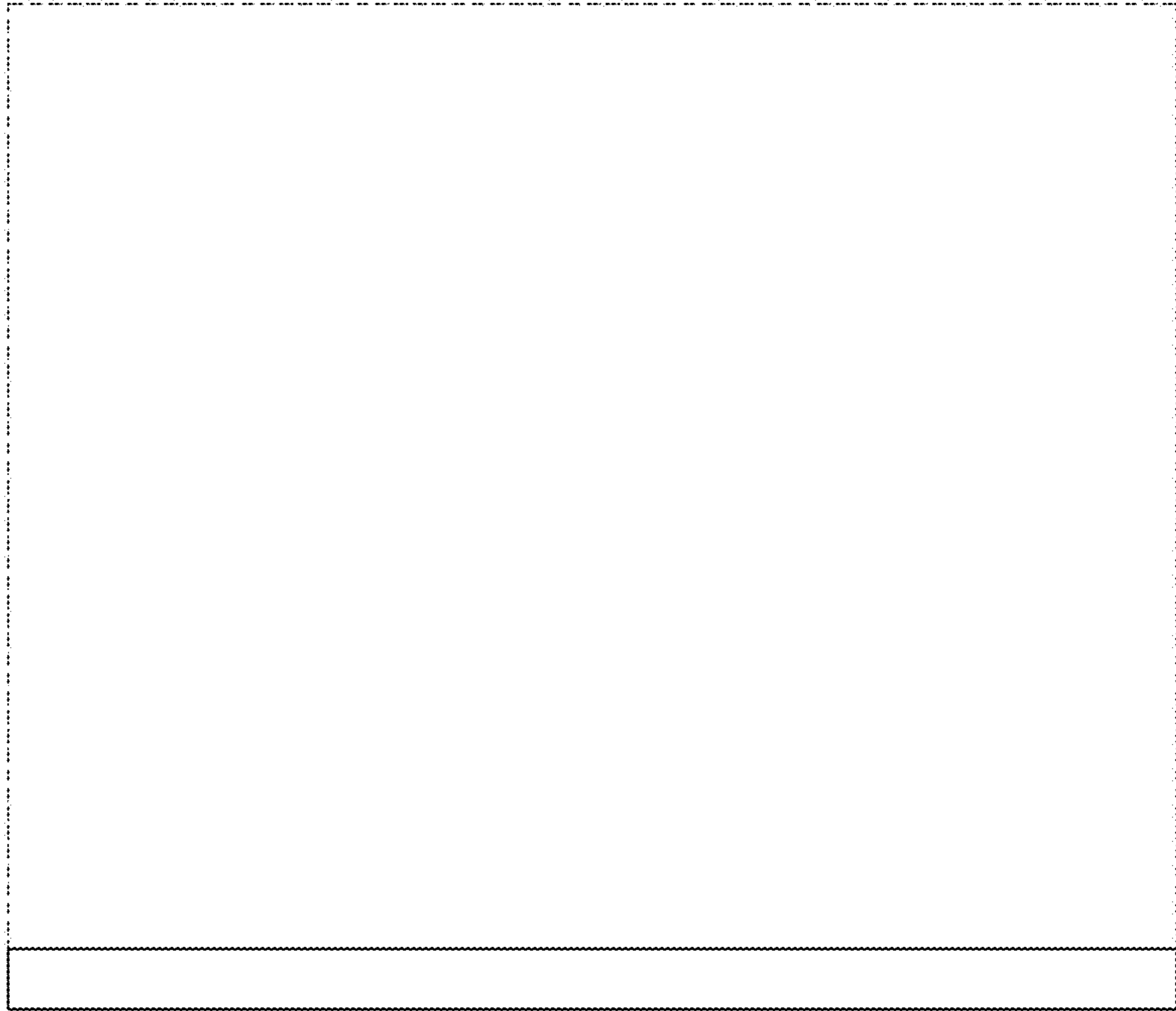
1.4



1.5



1.6



1.7

