



US00D893252S

(12) **United States Design Patent** (10) **Patent No.:** **US D893,252 S**
Hundley et al. (45) **Date of Patent:** **** Aug. 18, 2020**

(54) **COUNTERTOP APPLIANCE**

- (71) Applicant: **The Vollrath Company, L.L.C.**, Sheboygan, WI (US)
- (72) Inventors: **Jill Hundley**, Sheboygan, WI (US); **Rebecca Neils**, Sheboygan, WI (US)
- (73) Assignee: **The Vollrath Company, L.L.C.**, Sheboygan, WI (US)
- (**) Term: **15 Years**

(21) Appl. No.: **29/678,997**

(22) Filed: **Jan. 31, 2019**

(51) **LOC (12) Cl.** **07-99**

(52) **U.S. Cl.**
USPC **D7/403**

(58) **Field of Classification Search**
 USPC D7/402, 403, 407, 408, 409, 323, 332, D7/334, 337, 346, 362, 363, 367; D10/83, 87, 94, 103
 CPC G01G 19/40; G01G 21/28; A21B 2/00; A47J 37/00; A47J 37/06; F24C 7/00; F24C 15/12
 See application file for complete search history.

(56) **References Cited**

U.S. PATENT DOCUMENTS

D613,117 S *	4/2010	Richburg	D7/409
D705,683 S *	5/2014	Lauer	D10/91
D775,540 S *	1/2017	Marmier	D10/91
D818,770 S *	5/2018	Boyd	D7/407
D831,404 S *	10/2018	Glucksman	A47J 27/002 D7/347
D843,866 S *	3/2019	Mutch	D10/87
D865,452 S *	11/2019	Hertaus	D7/554.3
D870,579 S *	12/2019	Zong	D10/91
2008/0245580 A1 *	10/2008	Aby-Eva	G01G 23/3728 177/238

OTHER PUBLICATIONS

New 2019 Smallwares Countertop Equipment Catalogue, Induction Ranges, pp. 29-33, https://vollrath.com/Vollrath-Files/Price-Lists/New_2019_Smallwares_Countertop_Equipment_Catalog_Web.pdf, accessed Jun. 3, 2019.

* cited by examiner

Primary Examiner — Susan E Krakower

Assistant Examiner — Andrew Kerr

(74) *Attorney, Agent, or Firm* — Foley & Lardner LLP

(57) **CLAIM**

We claim the ornamental design for a countertop appliance, as shown and described.

DESCRIPTION

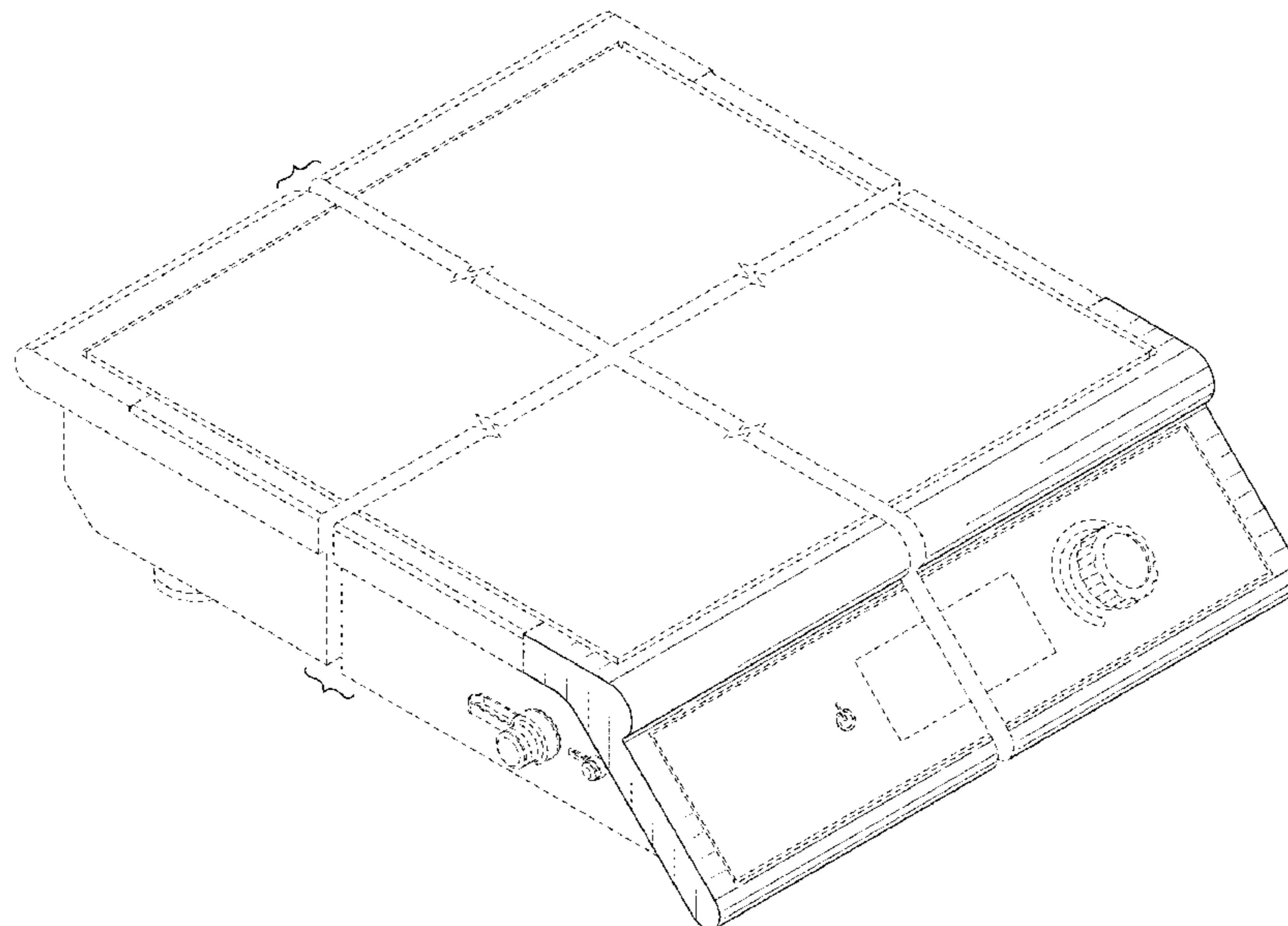
FIG. 1 is a front perspective view of a countertop appliance, showing our new design;
 FIG. 2 is a front elevation view thereof;
 FIG. 3 is a rear elevation view thereof;
 FIG. 4 is a right side elevation view thereof;
 FIG. 5 is a left side elevation view thereof;
 FIG. 6 is a top plan view thereof; and,
 FIG. 7 is a bottom plan view thereof.

The even spaced broken lines in the figure drawings depict portions of the countertop appliance that form no part of the claimed design.

The dash-dot broken lines in the figure drawings define the bounds of the claimed design and form no part thereof.

The countertop appliance is shown with a symbolic break in its length. The appearance of any portion of the article between the break lines forms no part of the claimed design.

1 Claim, 5 Drawing Sheets



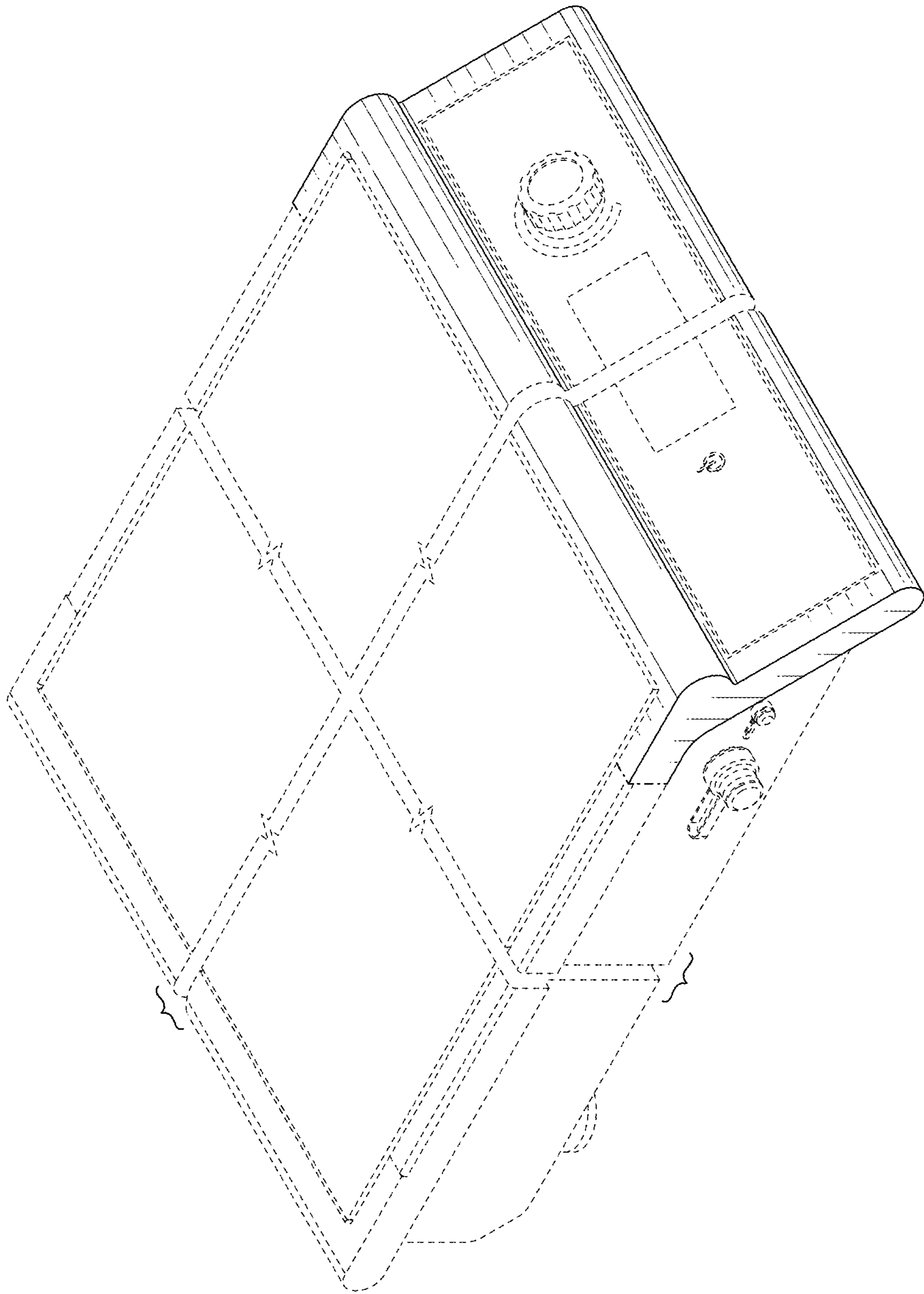


FIG. 1

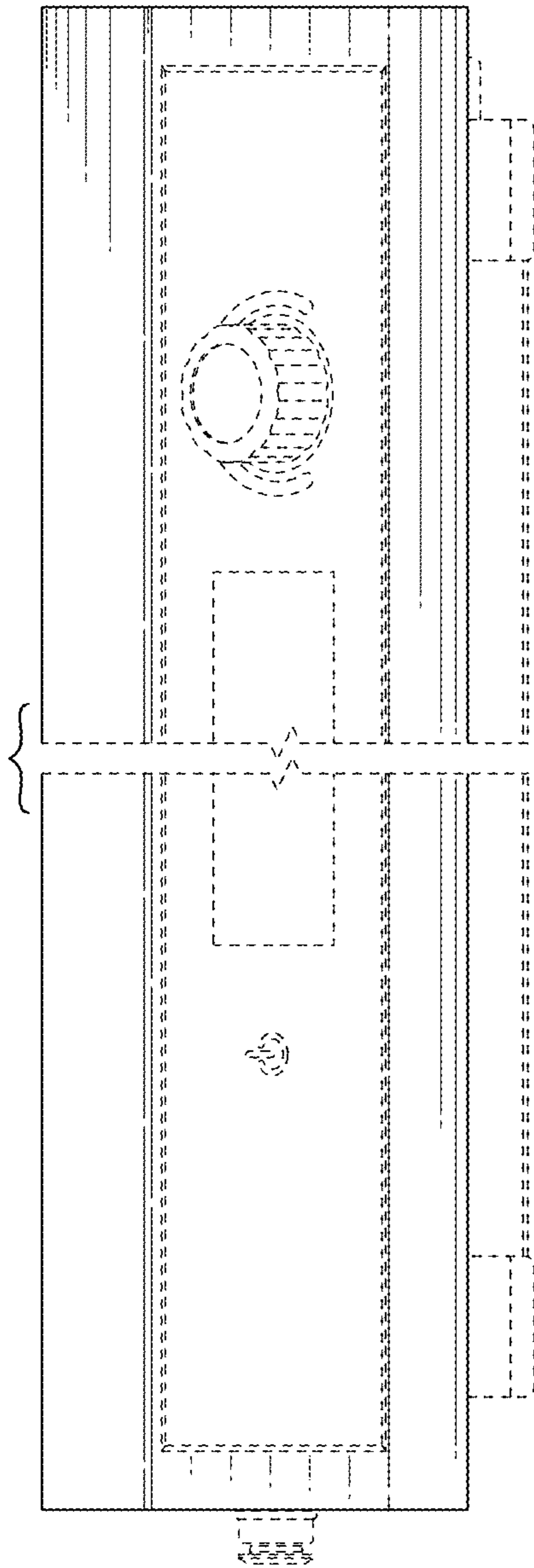


FIG. 2

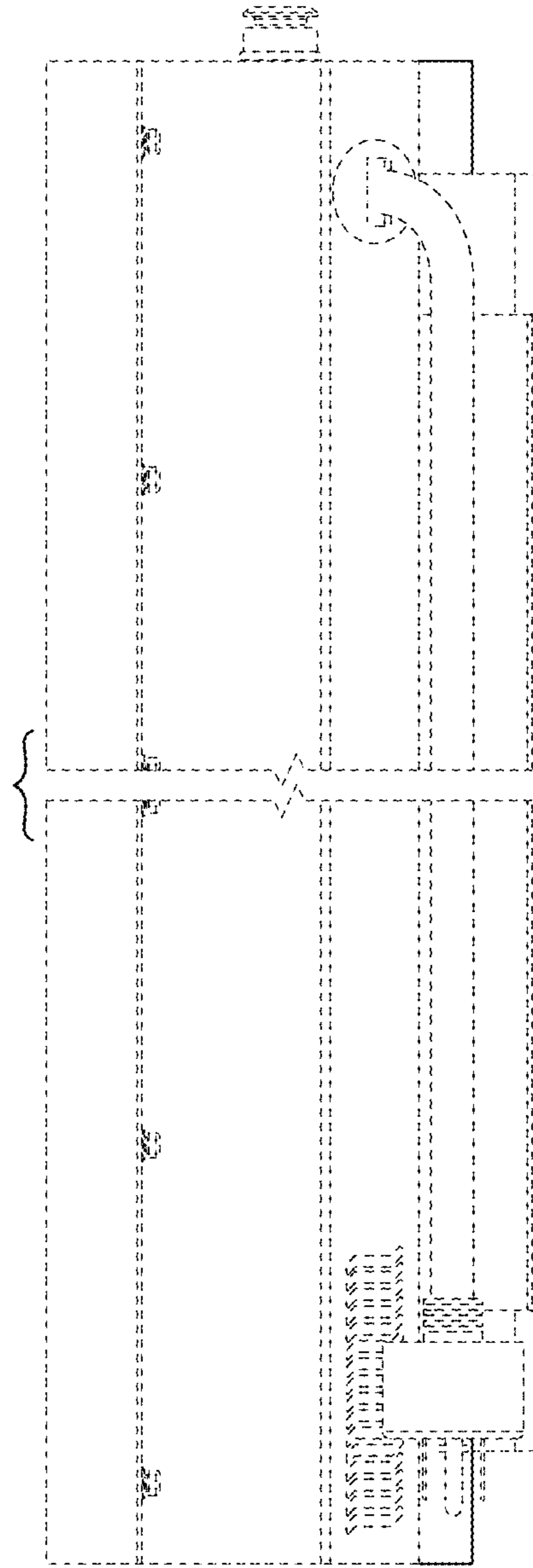


FIG. 3

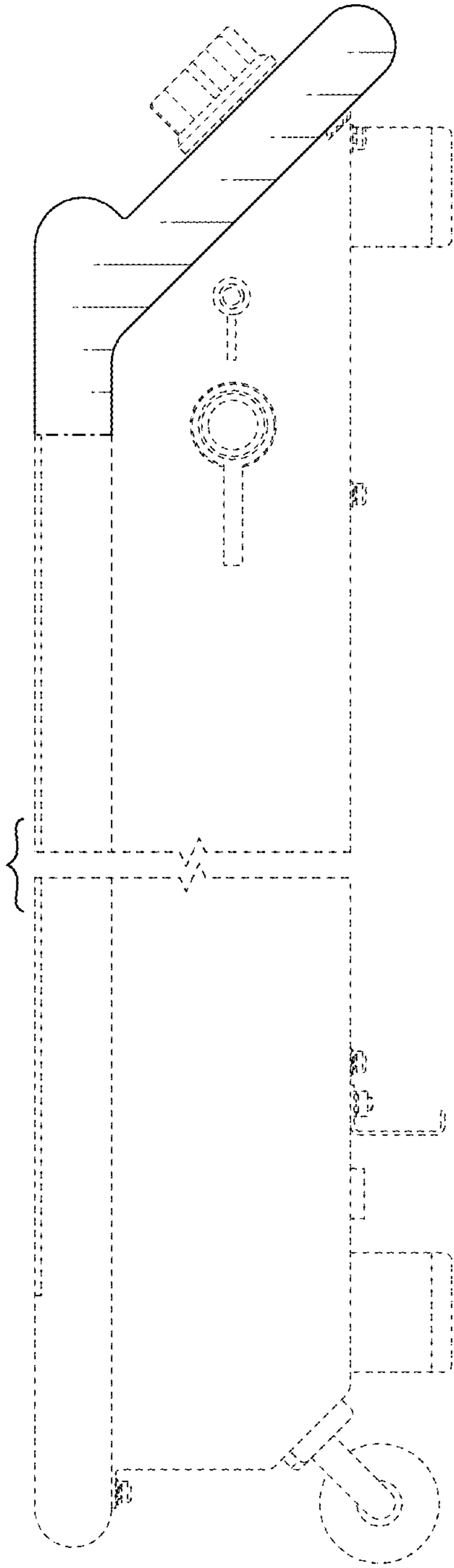


FIG. 4

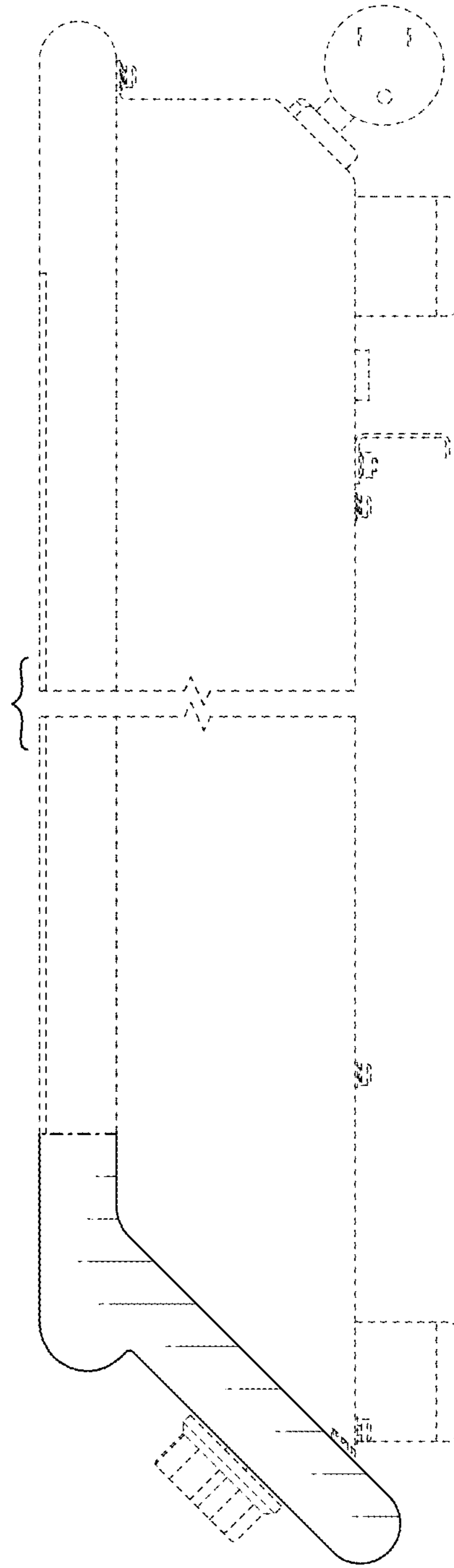


FIG. 5

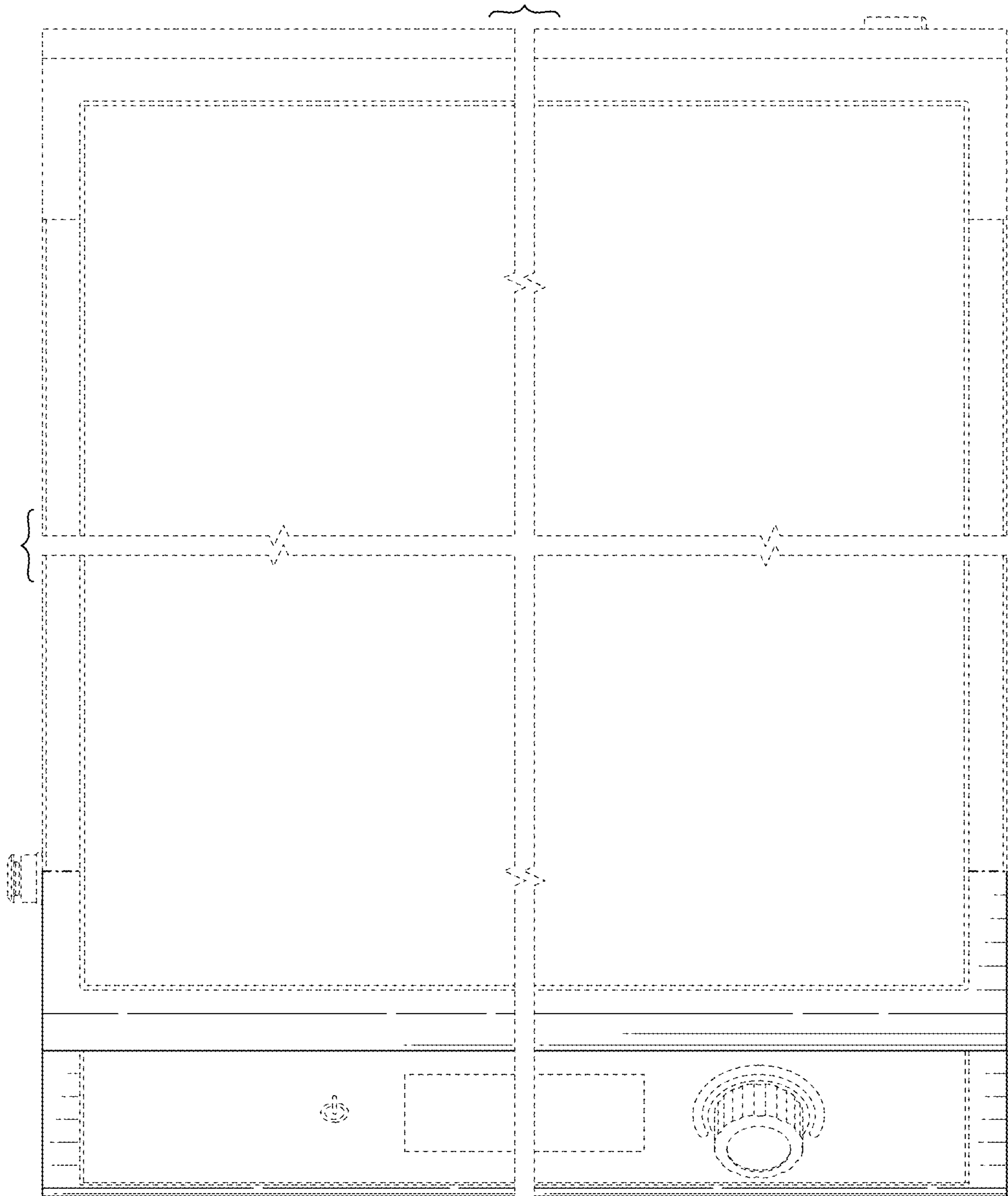


FIG. 6

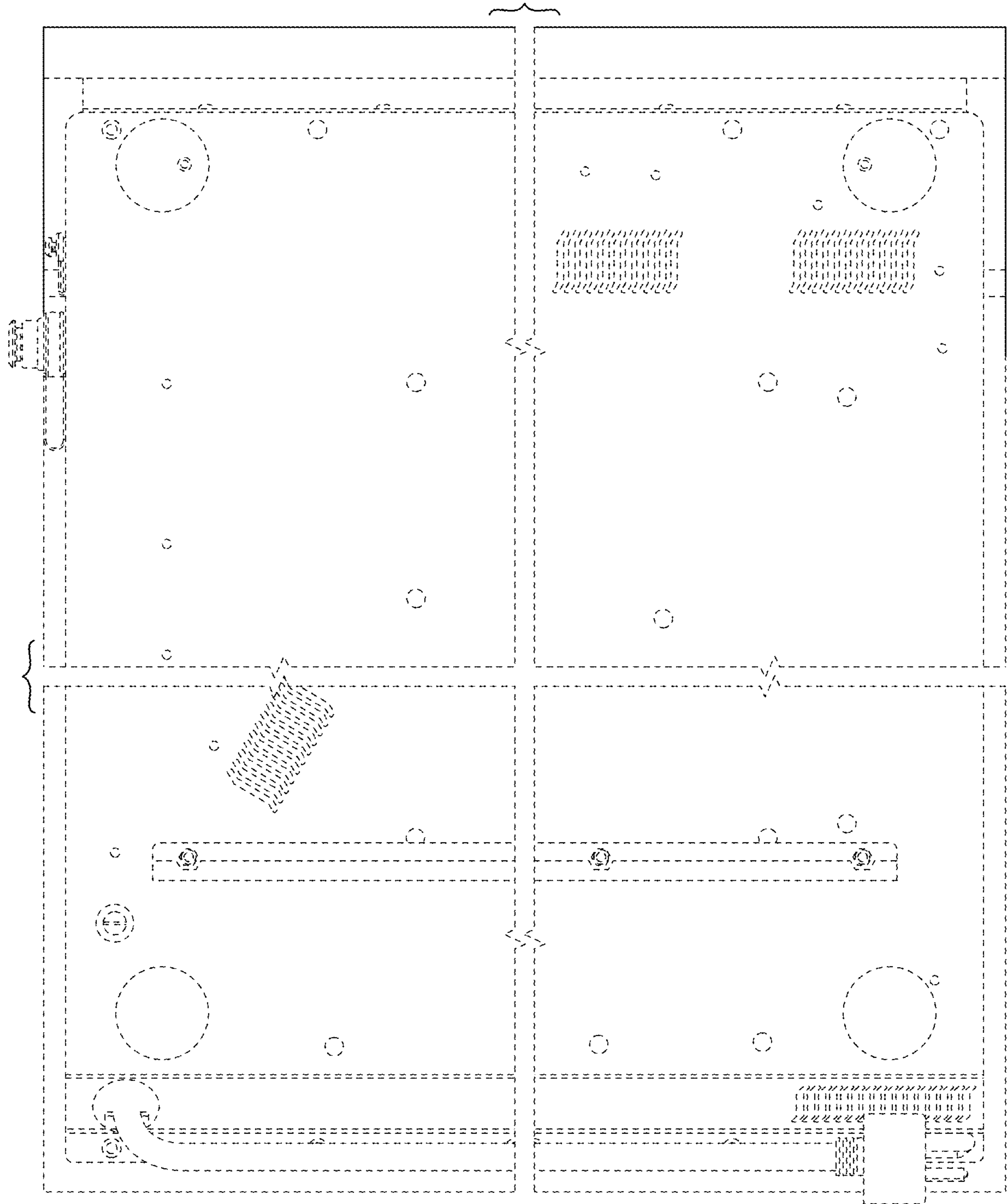


FIG. 7