



US00D893249S

(12) **United States Design Patent** (10) **Patent No.:** **US D893,249 S**  
**Liu** (45) **Date of Patent:** **\*\* Aug. 18, 2020**

(54) **WINE PRESERVATION SYSTEM**  
(71) Applicant: **Foshan Shunde Zhanke Trading Co., Ltd.**, Foshan (CN)  
(72) Inventor: **Haitao Liu**, Foshan (CN)  
(73) Assignee: **Foshan Shunde Zhanke Trading Co., Ltd.** (CN)  
(\*\*) Term: **15 Years**  
(21) Appl. No.: **29/645,322**  
(22) Filed: **Apr. 25, 2018**  
(51) **LOC (12) Cl.** ..... **31-00**  
(52) **U.S. Cl.**  
USPC ..... **D7/398**  
(58) **Field of Classification Search**  
USPC ..... D7/368, 669, 300, 397, 398  
CPC ..... B01F 3/04787; B01F 3/04262; B01F 3/04248; B01F 3/04794; B01F 3/04439; B01F 13/002; B01F 2215/0072; A47G 23/00; A47G 19/2205; B67D 1/0004; B67D 1/0412; B65B 31/042  
See application file for complete search history.

2011/0154994 A1\* 6/2011 Sabadicci ..... A47G 23/00 99/323.1  
2011/0204093 A1\* 8/2011 Lee ..... B67D 1/0004 222/152  
2011/0297006 A1\* 12/2011 Belcher ..... B01F 3/04262 99/323.1

**OTHER PUBLICATIONS**

I-Somm User Guide (2017), <https://www.i-somm.com/user-guides/> (publicly available on Sep. 15, 2017).  
Subject design publicly launched and available on Sep. 15, 2017 on <https://www.i-somm.com/> (No attachment provided).

\* cited by examiner

*Primary Examiner* — Terry A Wallace  
(74) *Attorney, Agent, or Firm* — Lerner, David, Littenberg, Krumholz & Mentlik, LLP

(57) **CLAIM**

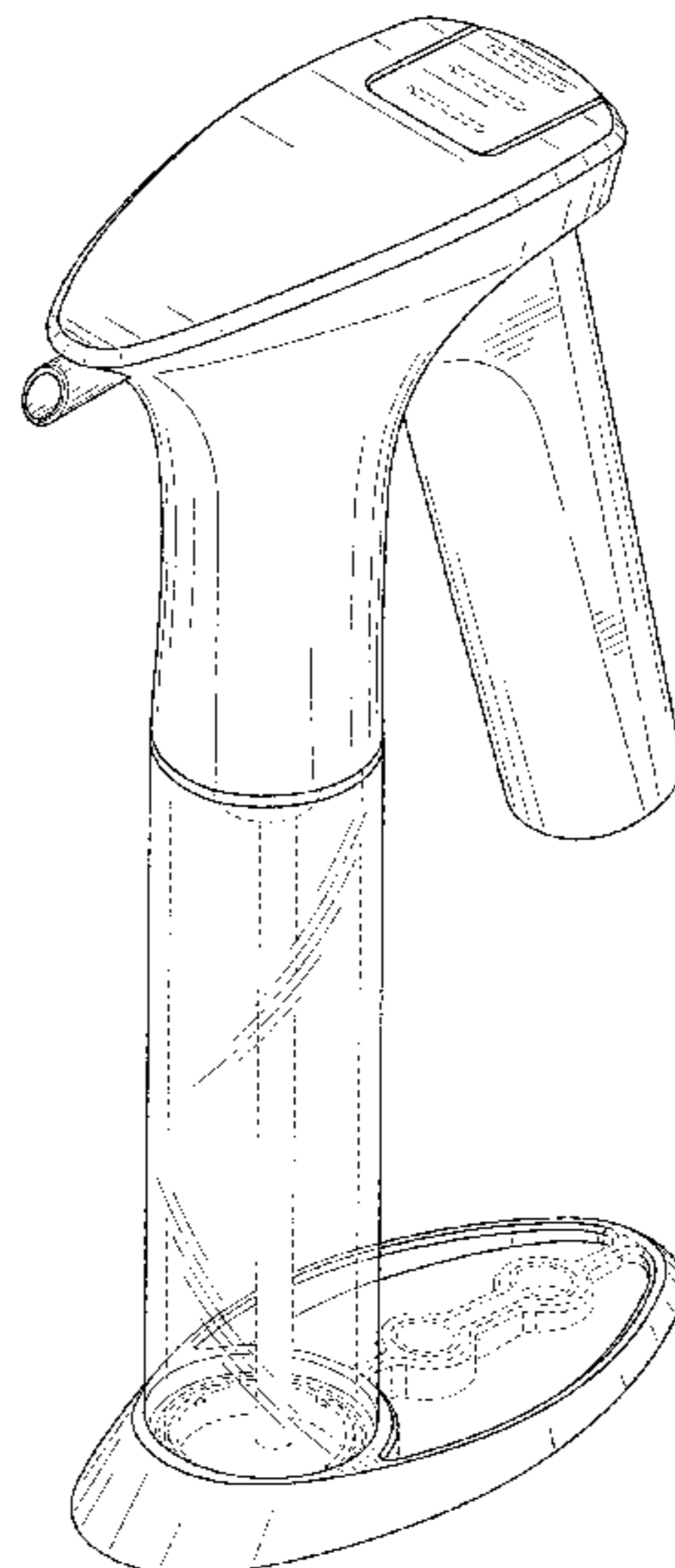
The ornamental design for a wine preservation system, as shown and described.

**DESCRIPTION**

FIG. 1 is a front perspective view of a wine preservation system showing my new design.  
FIG. 2 is a front elevation view thereof;  
FIG. 3 is a rear elevation view thereof;  
FIG. 4 is a right side elevation view thereof;  
FIG. 5 is a left side elevation view thereof;  
FIG. 6 is a top plan view thereof;  
FIG. 7 is a bottom plan view thereof;  
FIG. 8 is a rear perspective view thereof; and,  
FIG. 9 is an exploded view thereof.  
The broken lines shown in the drawings are for the purpose of illustrating environmental structure and form no part of the claimed design.

**1 Claim, 7 Drawing Sheets**

(56) **References Cited**  
U.S. PATENT DOCUMENTS  
4,494,452 A \* 1/1985 Barzso ..... B01F 3/04794 261/122.1  
5,458,165 A \* 10/1995 Liebmann, Jr. .... B65B 31/04 141/19  
7,712,637 B2 \* 5/2010 Lambrecht ..... B67D 1/0412 141/17  
9,010,588 B2 \* 4/2015 Lambrecht ..... B67D 1/0412 222/399  
D794,401 S \* 8/2017 Chen ..... D7/300  
2005/0142260 A1 \* 6/2005 Chen ..... C12H 1/14 426/392  
2010/0183788 A1 \* 7/2010 Dulst ..... B65B 31/042 426/404



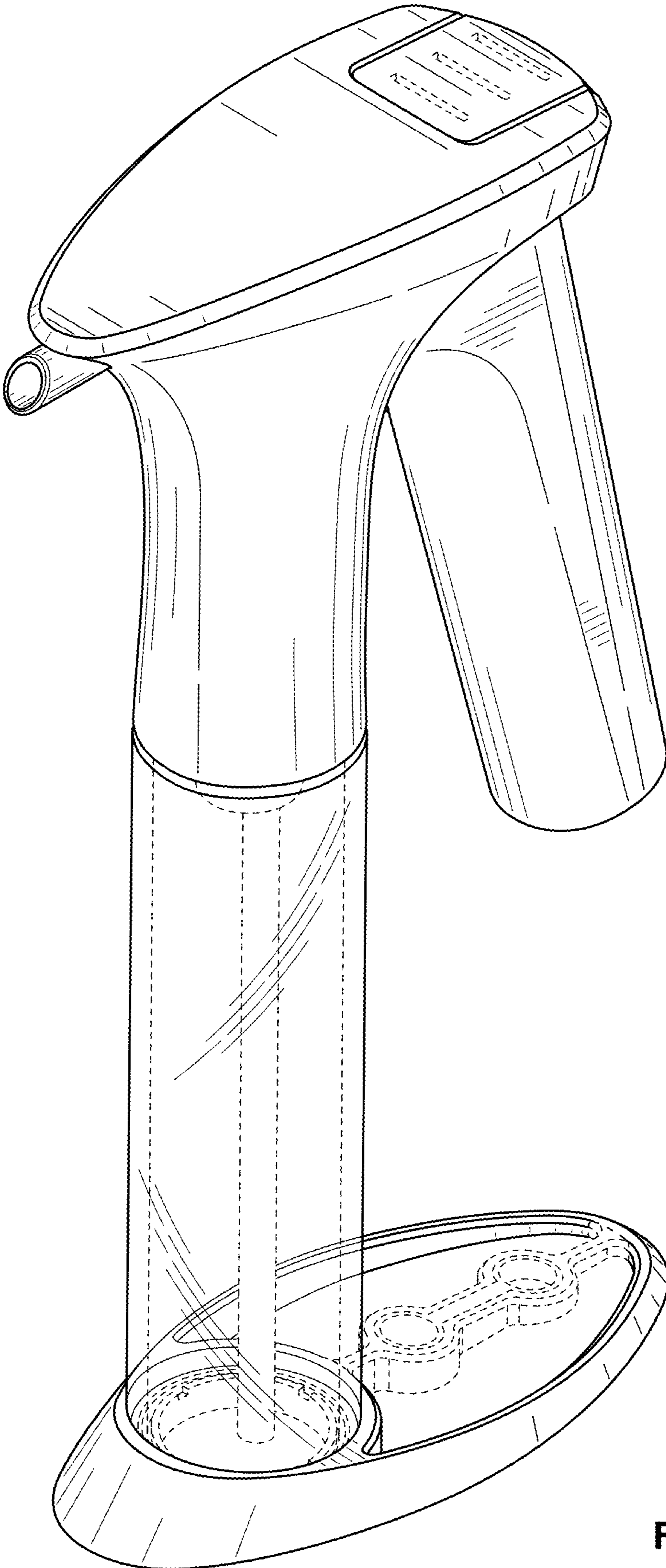


FIG. 1

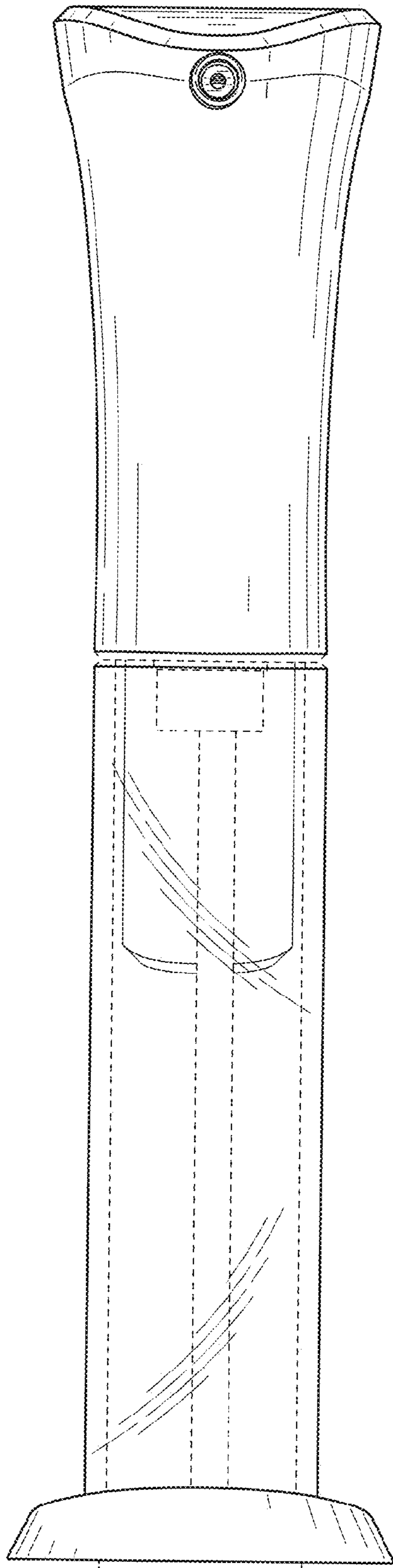


FIG. 2

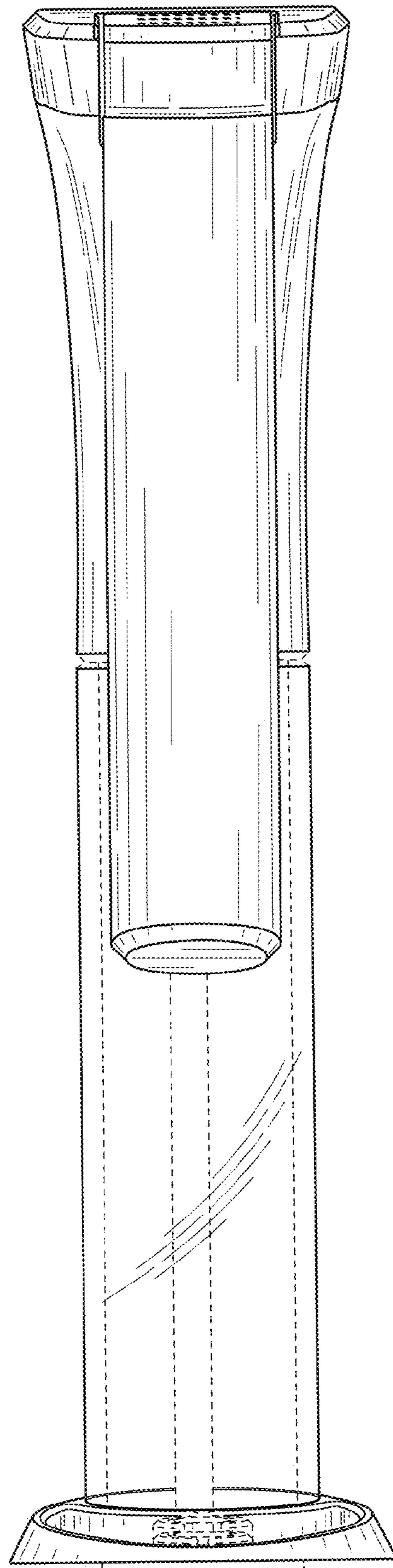


FIG. 3

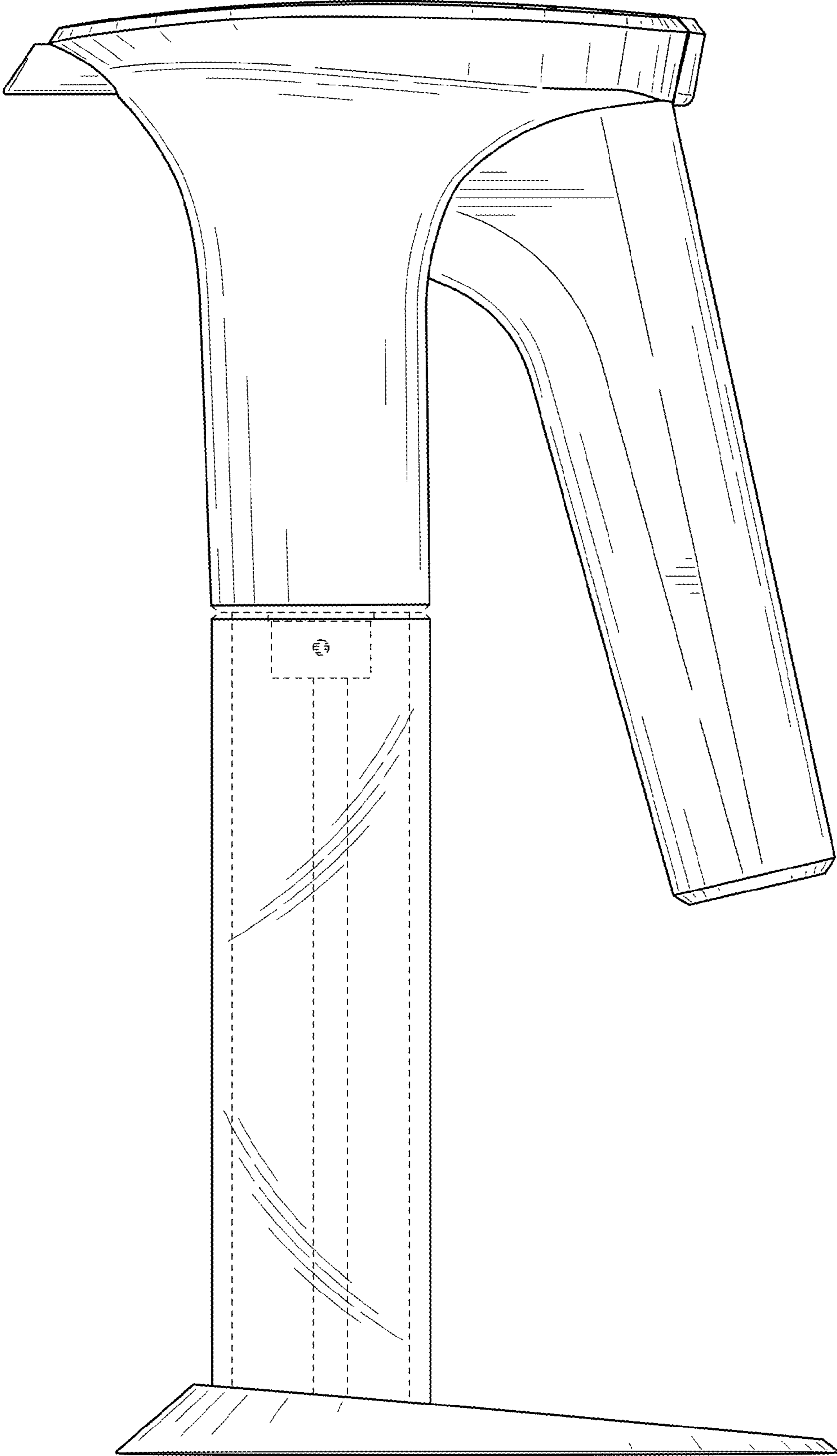


FIG. 4

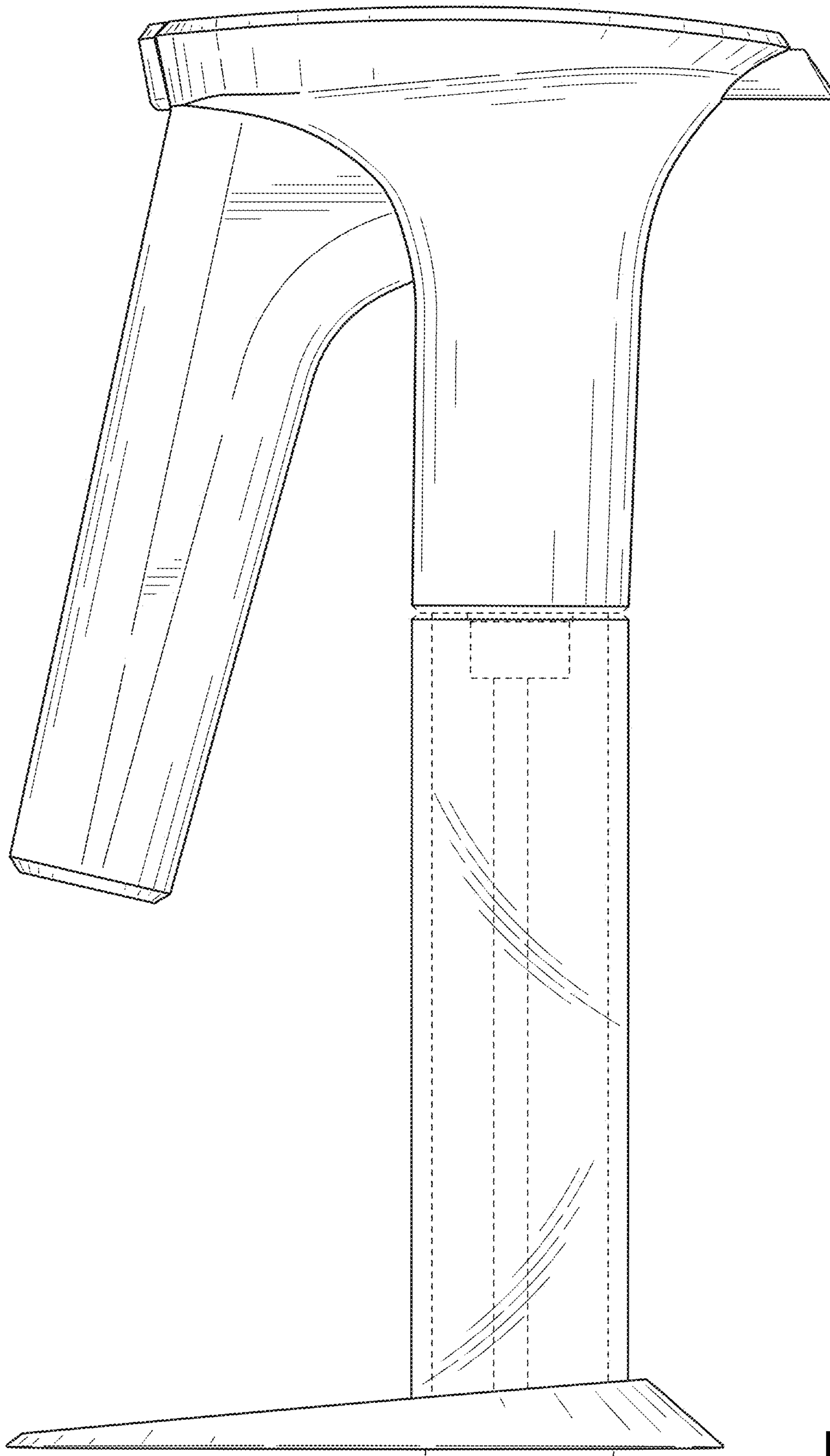


FIG. 5

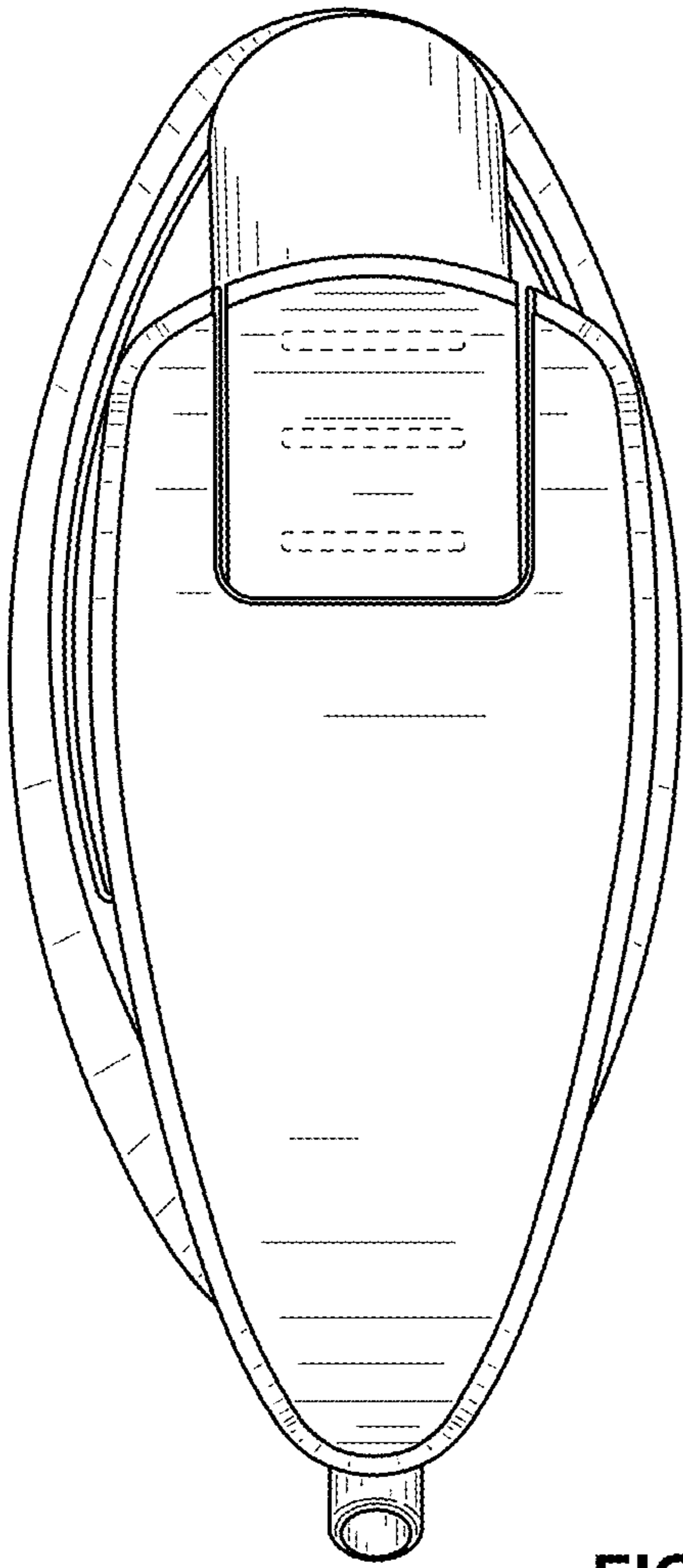


FIG. 6

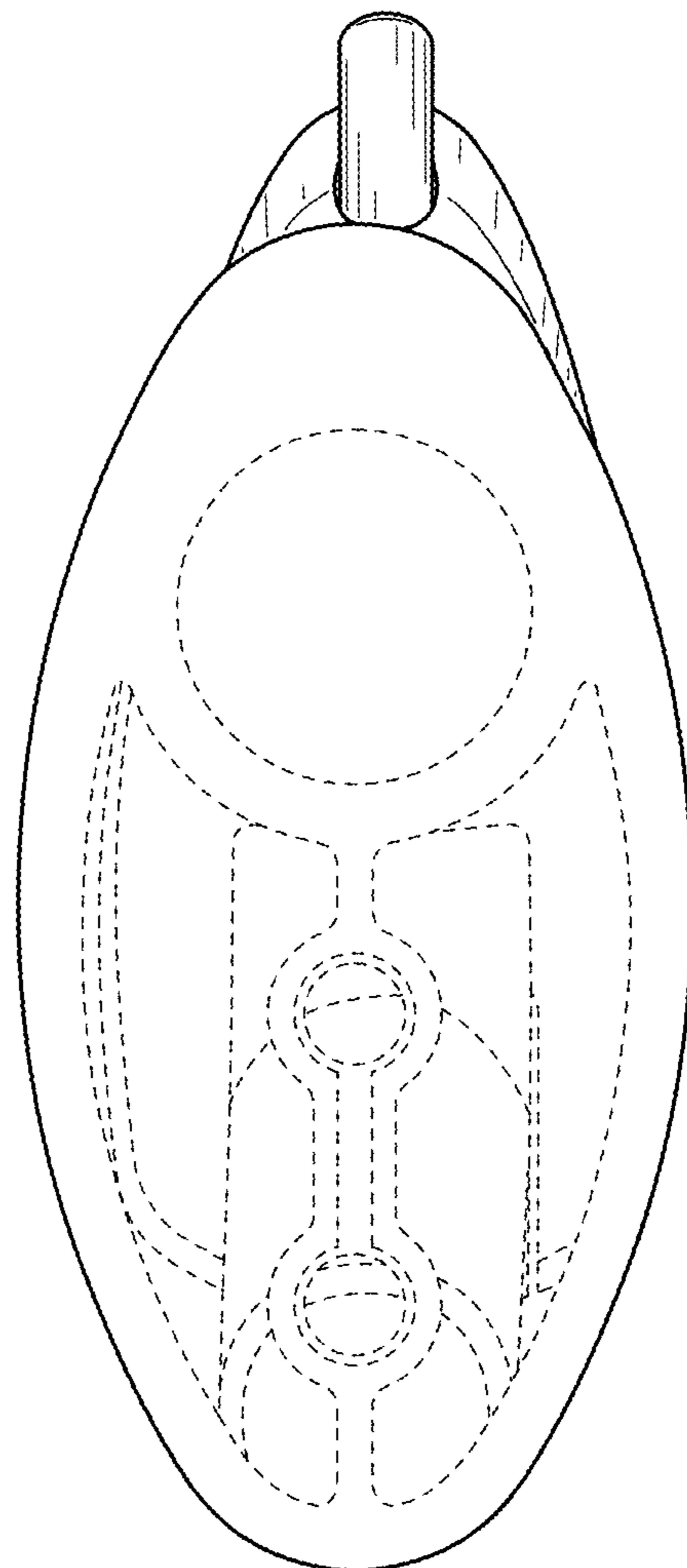


FIG. 7

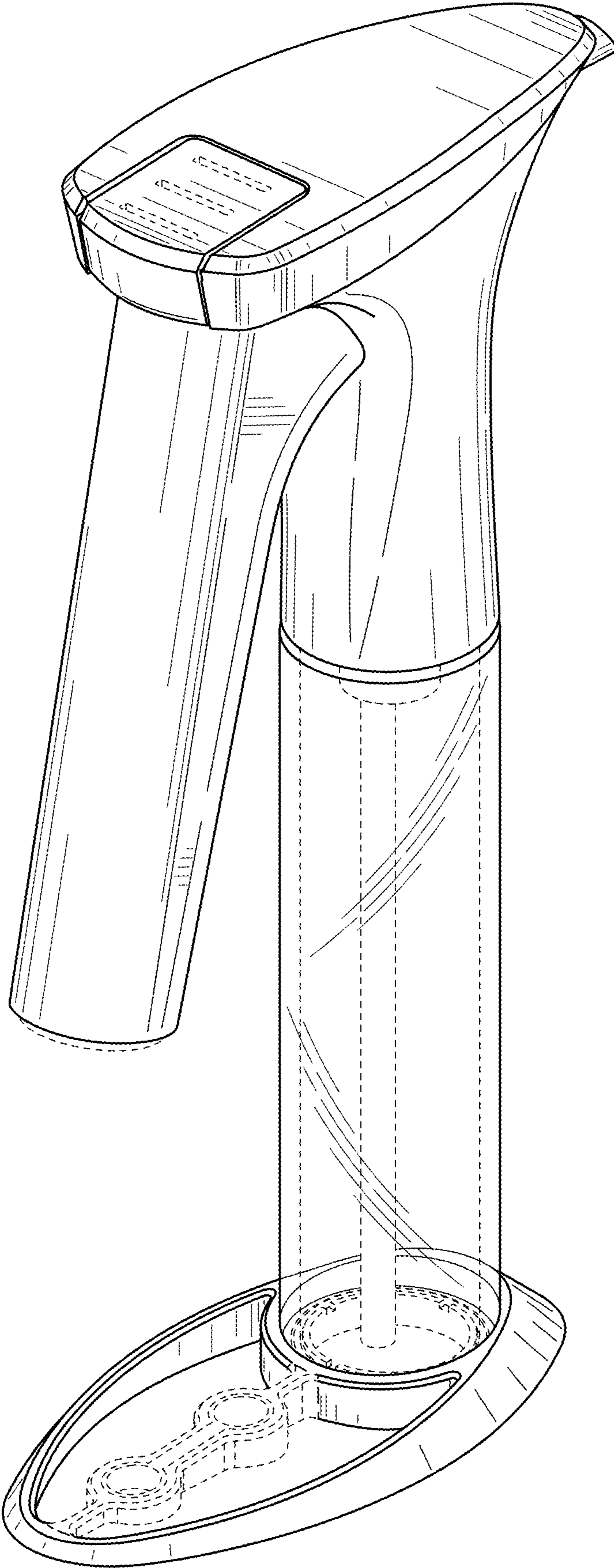


FIG. 8

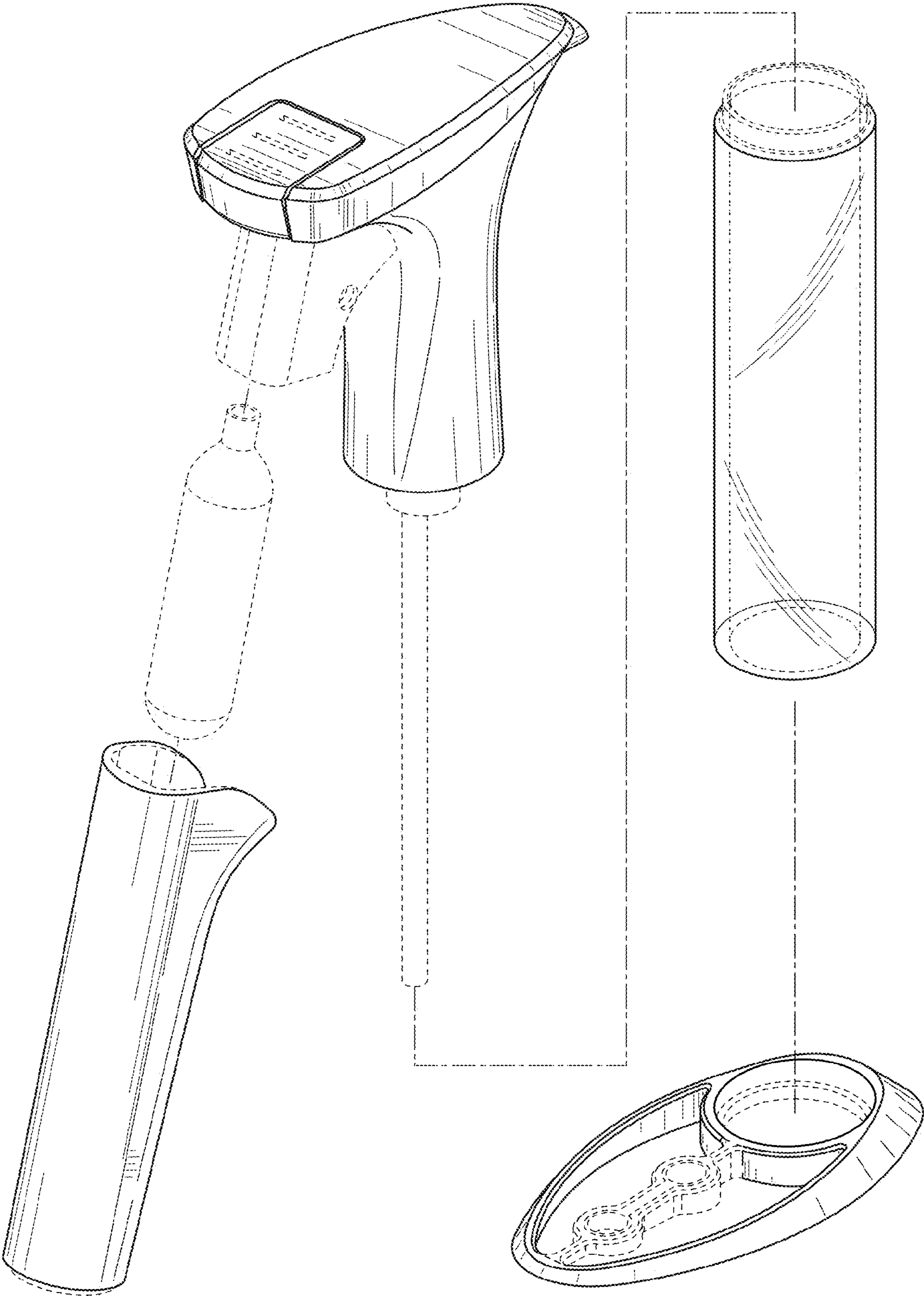


FIG. 9