



US00D893245S

(12) **United States Design Patent**
Zhang

(10) **Patent No.:** **US D893,245 S**

(45) **Date of Patent:** **** Aug. 18, 2020**

(54) **LID WITH FOLDING STRAW**

(71) Applicant: **Yongkang Qiqing Industry and Trade Co., Ltd.**, Jinhua (CN)

(72) Inventor: **Bo Zhang**, Gongxian (CN)

(**) Term: **15 Years**

(21) Appl. No.: **29/728,360**

(22) Filed: **Mar. 18, 2020**

(51) **LOC (12) Cl.** **07-01**

(52) **U.S. Cl.**
USPC **D7/392.1**

(58) **Field of Classification Search**

USPC D7/391, 392, 392.1, 397, 510, 511, 542,
D7/543, 602, 605, 629; D9/435, 443,
D9/447, 449, 454

CPC B65D 47/305; B65D 47/2037

See application file for complete search history.

(56) **References Cited**

U.S. PATENT DOCUMENTS

D632,176 S *	2/2011	McKinney	D9/450
D683,581 S *	6/2013	Archer	D7/392.1
D793,154 S *	8/2017	Sorensen	D7/392.1
D799,320 S *	10/2017	Goodwin	D9/449
D820,637 S *	6/2018	Davis	D7/392.1
D835,938 S *	12/2018	Zou	D9/436
D870,508 S *	12/2019	Palkon	D7/392.1
D872,522 S *	1/2020	Diener	D7/392.1
D872,524 S *	1/2020	Bo	D7/392.1
2008/0078787 A1 *	4/2008	Yelland	A45F 5/02 224/148.1
2016/0207672 A1 *	7/2016	Wong	B65D 43/0225
2016/0318693 A1 *	11/2016	Hein	B65D 81/3841
2019/0135506 A1 *	5/2019	Merrigan	B65D 41/04

OTHER PUBLICATIONS

“Avex Freestyle Autospout Water Bottle”. Found online Oct. 24, 2017 at amazon.com. Reference dated Jul. 15, 2014. Retrieved from

https://www.amazon.com/Freestyle-Autospout-Bottle-Orange-Superhero/dp/B00X0YTDCO/ref=sr_1_4?ie=UTF8&qid=1508879300&sr=8-4&keywords=avex.*

“Contigo Addison Waterbottle”. Found online May 15, 2020 at amazon.co.uk. Reference dated Jun. 24, 2011. Retrieved from https://www.amazon.co.uk/...53FFGHY/ref=sr_1_21?crd=3RSVDAKWD8BN7&dchild=1&keywords=contigo+addison&qid=1589570808&sprefix=contigo+add%2Caps%2C226&sr=8-21.*

(Continued)

Primary Examiner — Kendra Leslie Hamilton

(74) *Attorney, Agent, or Firm* — Wayne V. Harper; Flanigan, Cynthia

(57) **CLAIM**

I claim the ornamental design for a lid with folding straw, as shown and described.

DESCRIPTION

FIG. 1 is a top, front, right side perspective view of a lid with folding straw showing my new design in a first configuration for use, with the straw folded down and the handle vertically;

FIG. 2 is a top, front, right side perspective view of the lid with folding straw of FIG. 1, shown in a second configuration for use, with the straw unfolded and the handle horizontally;

FIG. 3 is a front elevation view of the lid with folding straw of FIG. 1;

FIG. 4 is a rear elevation view thereof;

FIG. 5 is a left side elevation view thereof;

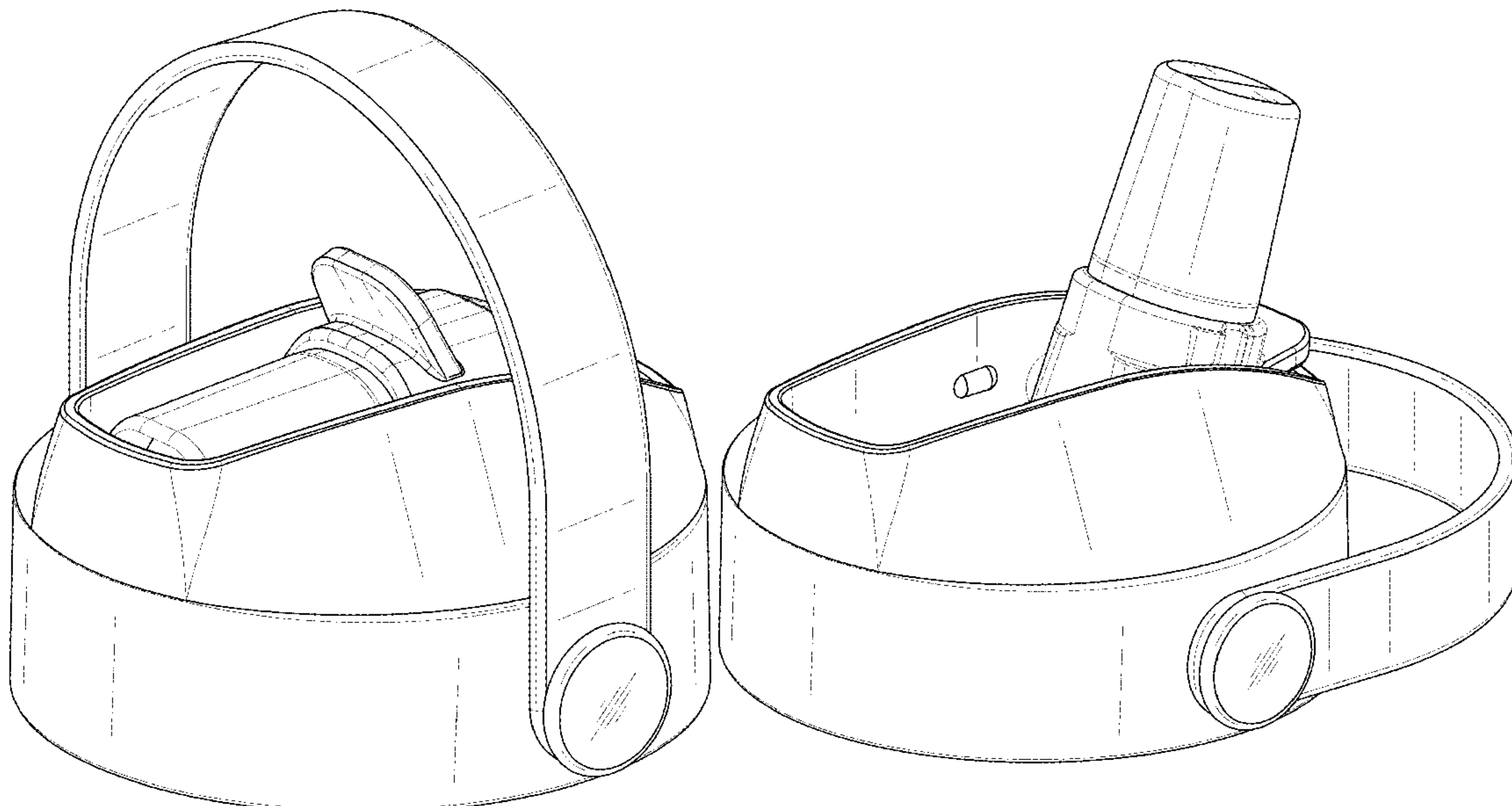
FIG. 6 is a right side elevation view thereof;

FIG. 7 is a top plan view thereof; and,

FIG. 8 is a bottom plan view thereof.

The broken lines in the drawings depict portions of the lid with folding straw that form no part of the claimed design.

1 Claim, 8 Drawing Sheets



(56)

References Cited

OTHER PUBLICATIONS

“Lifefactory Water Bottle with Straw Cap and Silicone Sleeve”.
Found online Jun. 28, 2017 at amazon.com. Reference dated Jul. 9,
2013. Retrieved from https://www.amazon.com/Lifefactory-22-Ounce-BPA-Free-Bottle-Silicone/dp/B00DUHFH6C/ref=sr_1_22?ie=UTF8&qid=1498675614&sr=8-22&keywords=life+factory.
*
Standard Size Straw Lid for Hydro Flask Standard Size Bottle &
Simple Modern Narrow Bottle, https://www.amazon.com/dp/B07PBRRM18?ref=myi_title_dp.
Zen beauty and health llc Standard Size Straw Lid for Hydro Flask
Standard Size Sports Water Bottle & Simple Modern Narrow
Bottle, https://www.amazon.com/Zen-beauty-health-llc-Standard/dp/B07JQKHFKN/ref=alp_dpwidget_a_w_?th=1&psc=1&smid=A3LBLNYWEKSNPN.

* cited by examiner

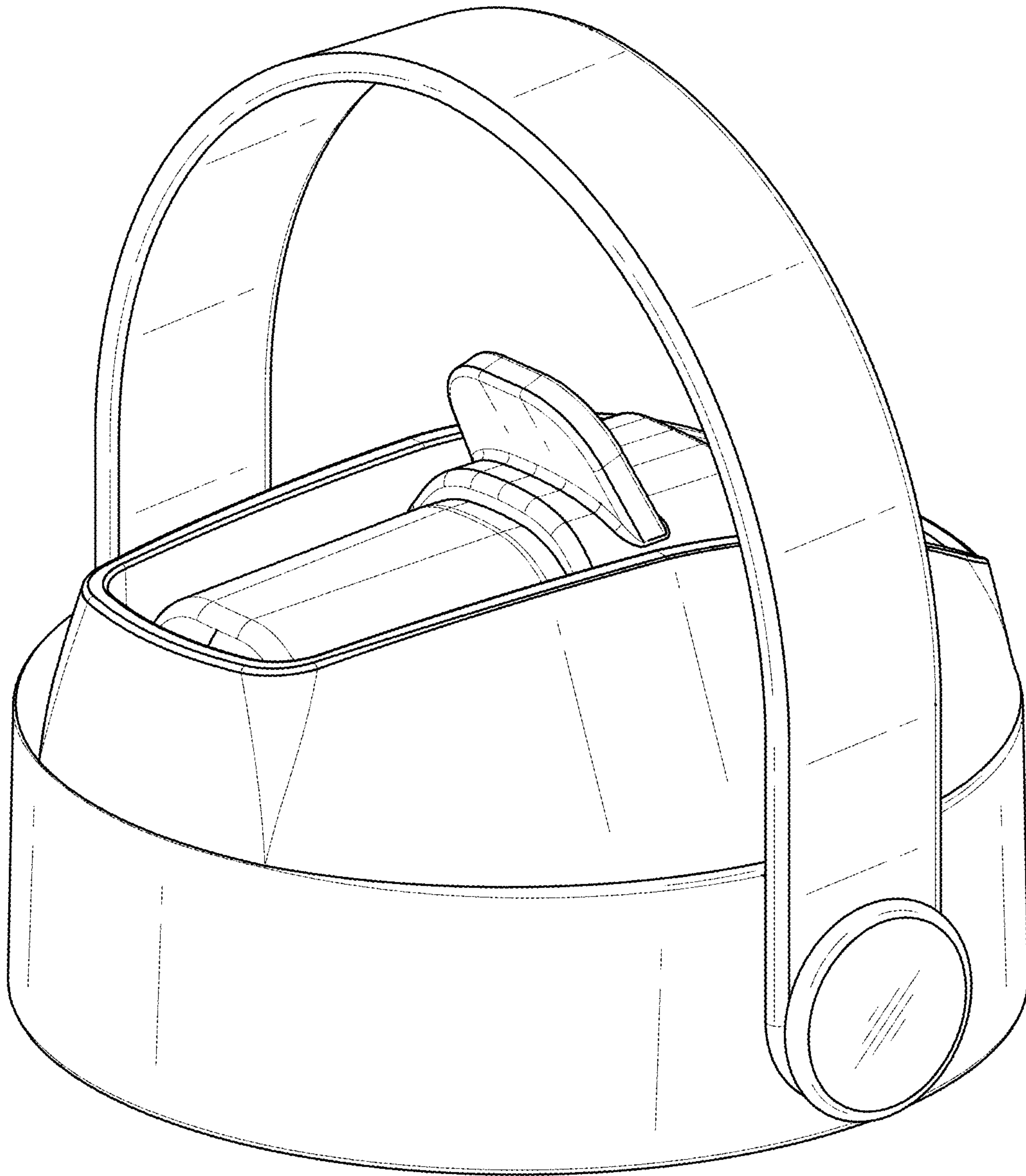


FIG. 1

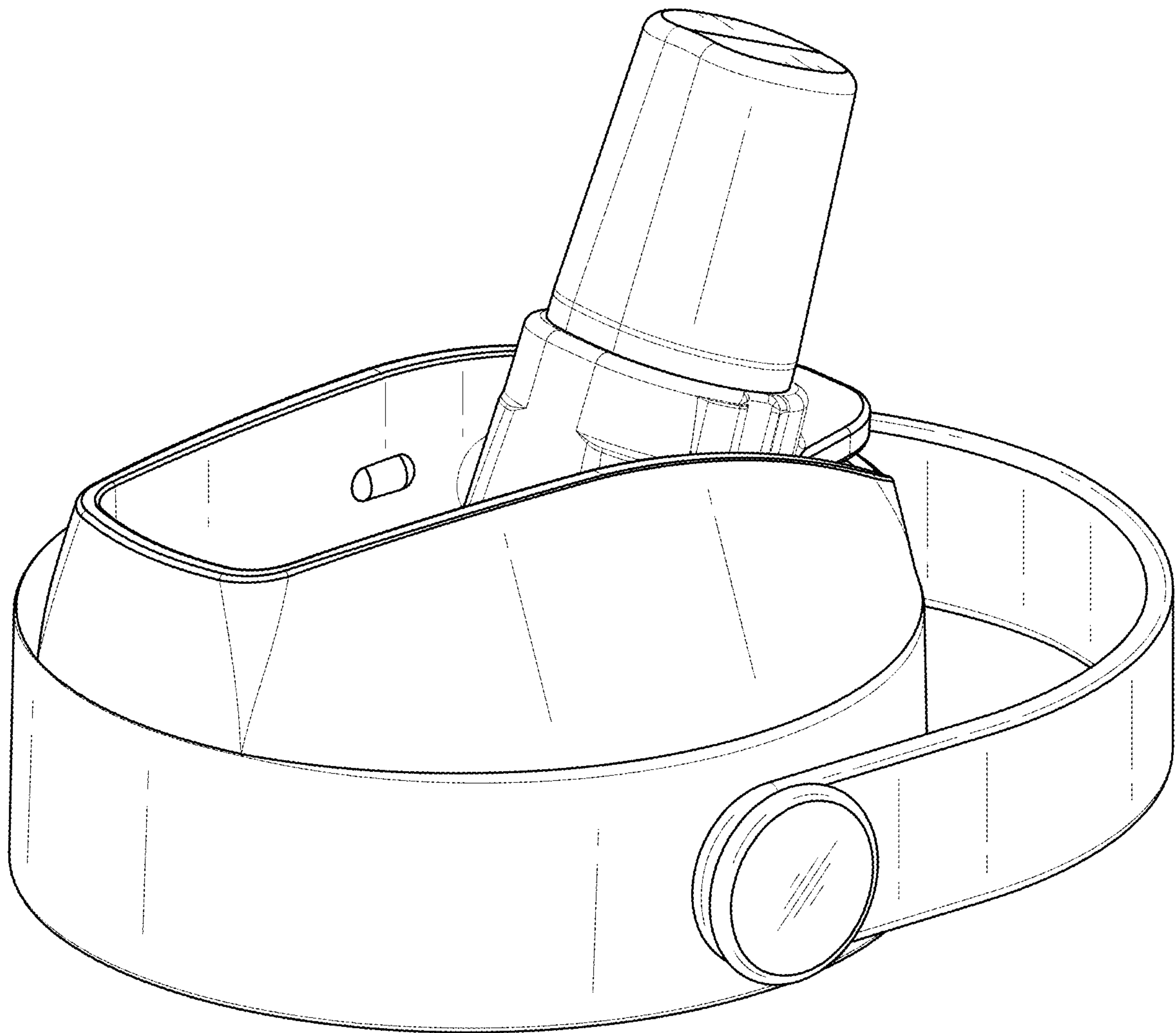


FIG. 2

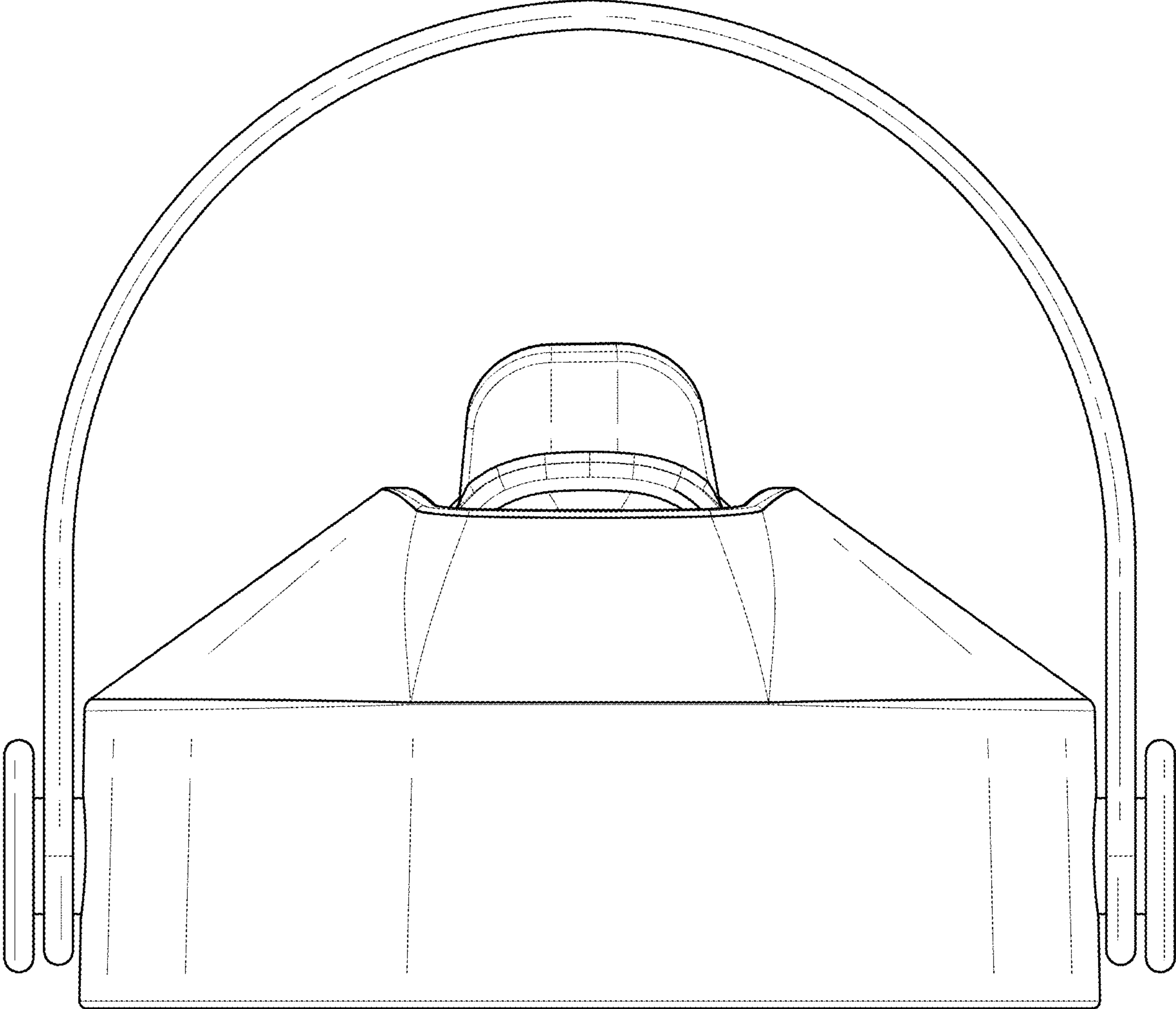


FIG. 3

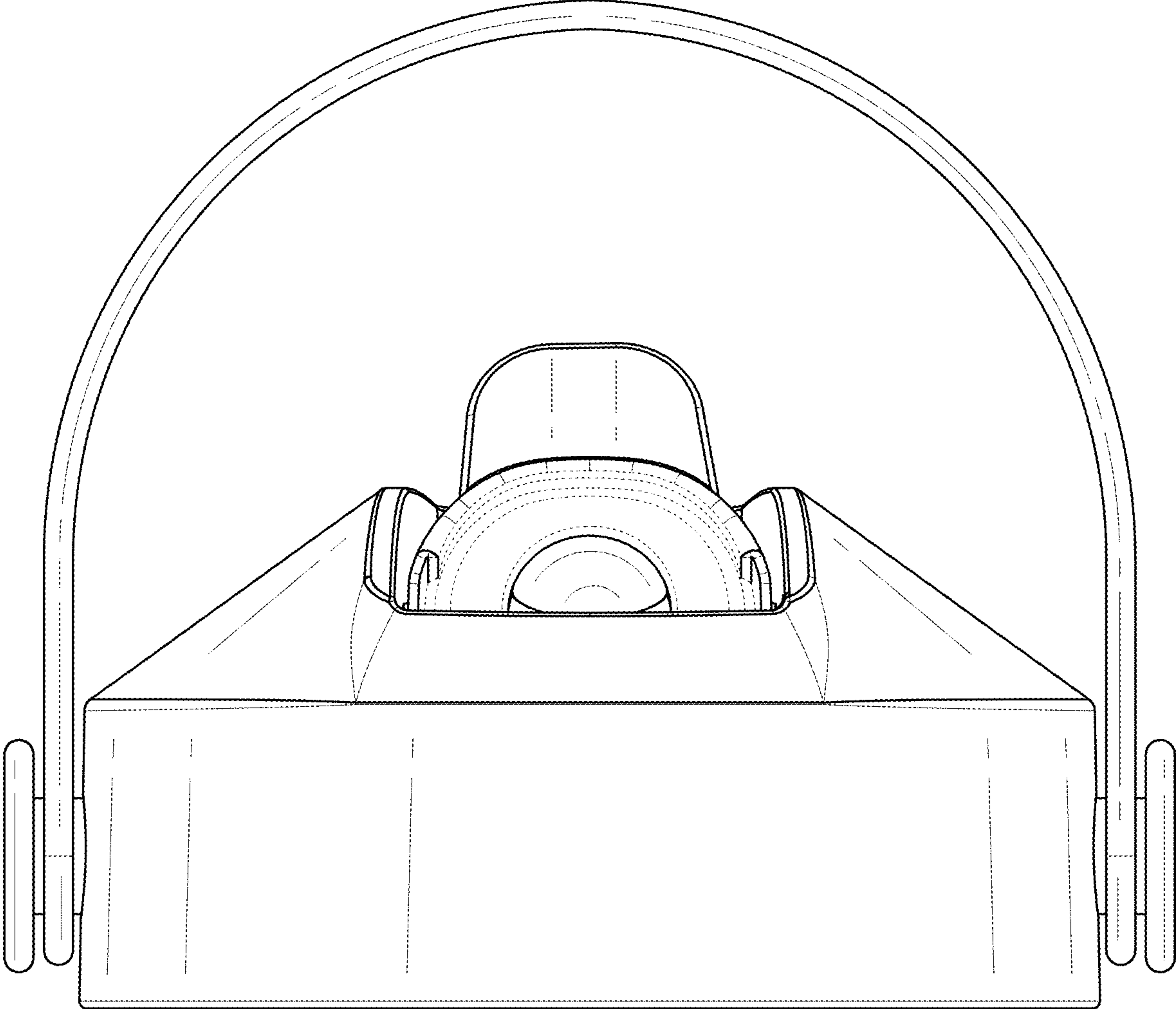


FIG. 4

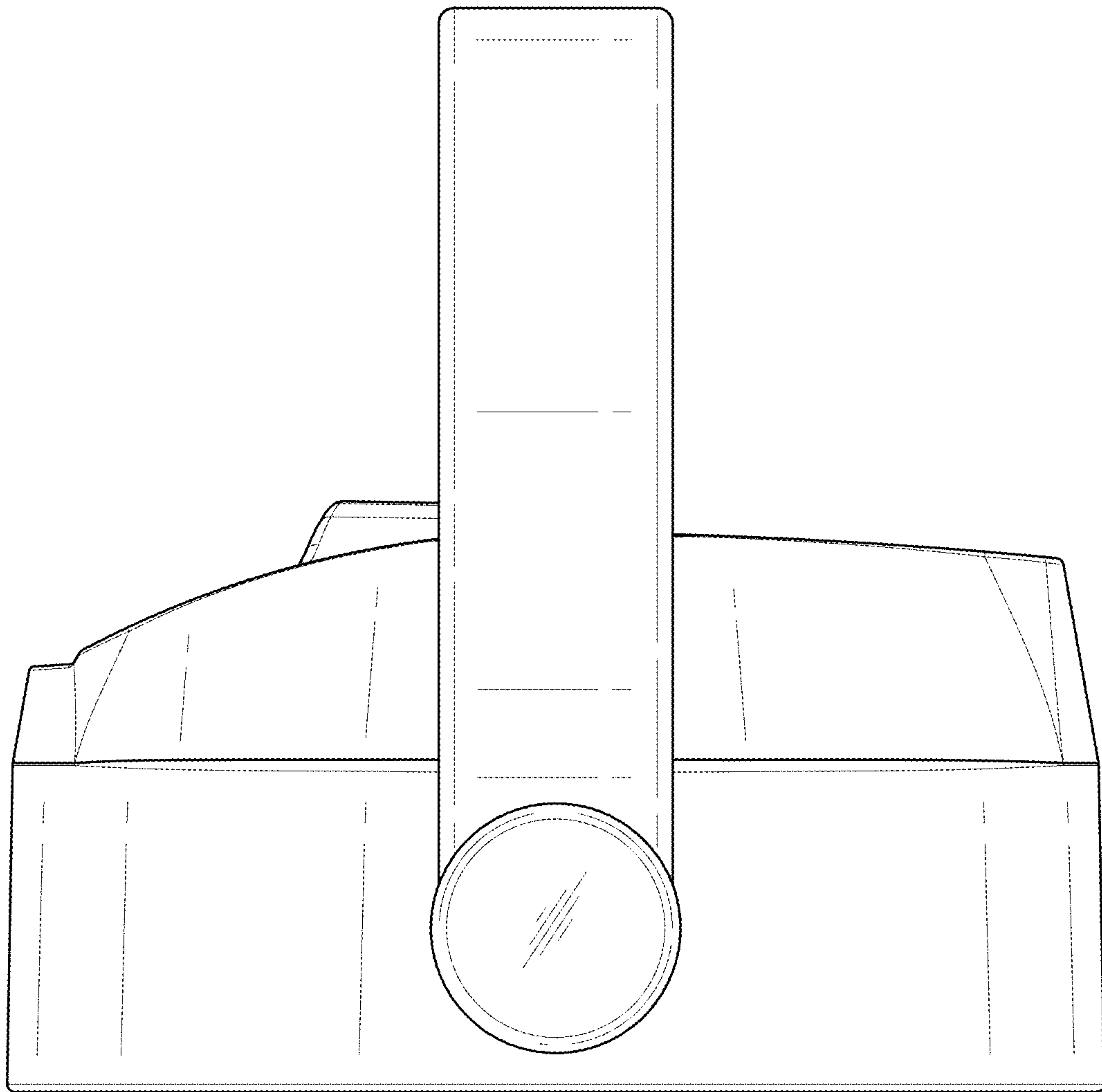


FIG. 5

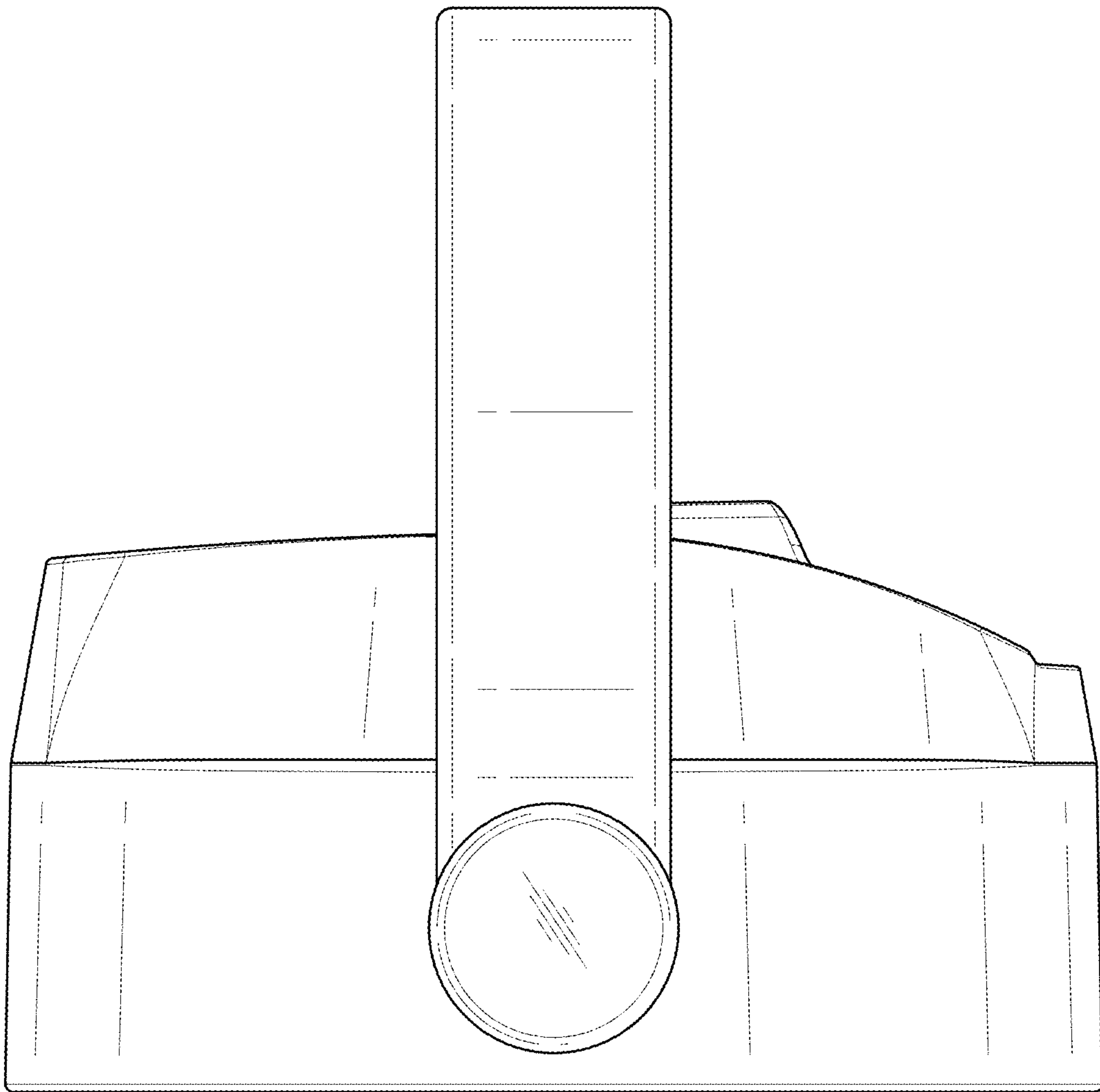


FIG. 6

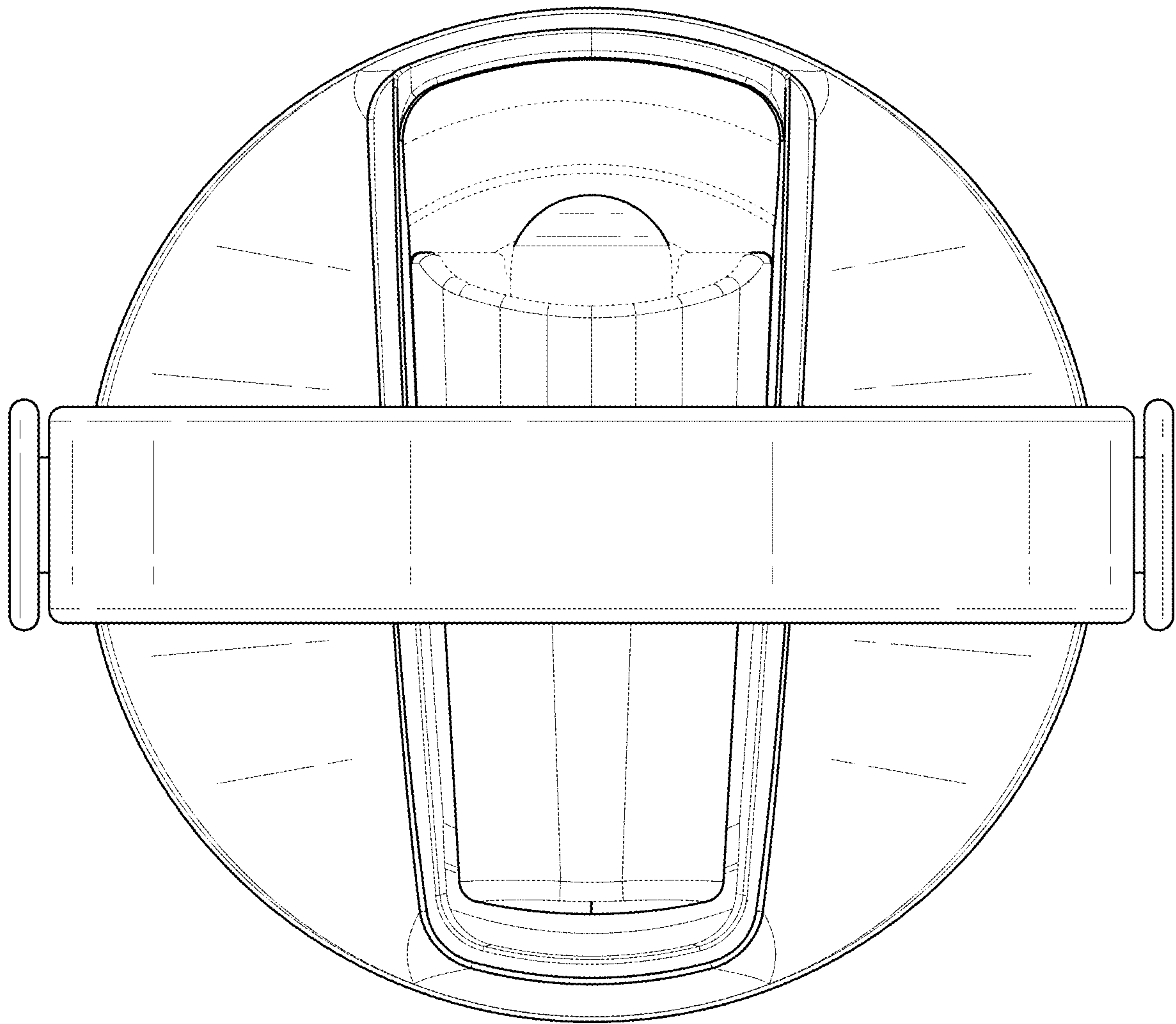


FIG. 7

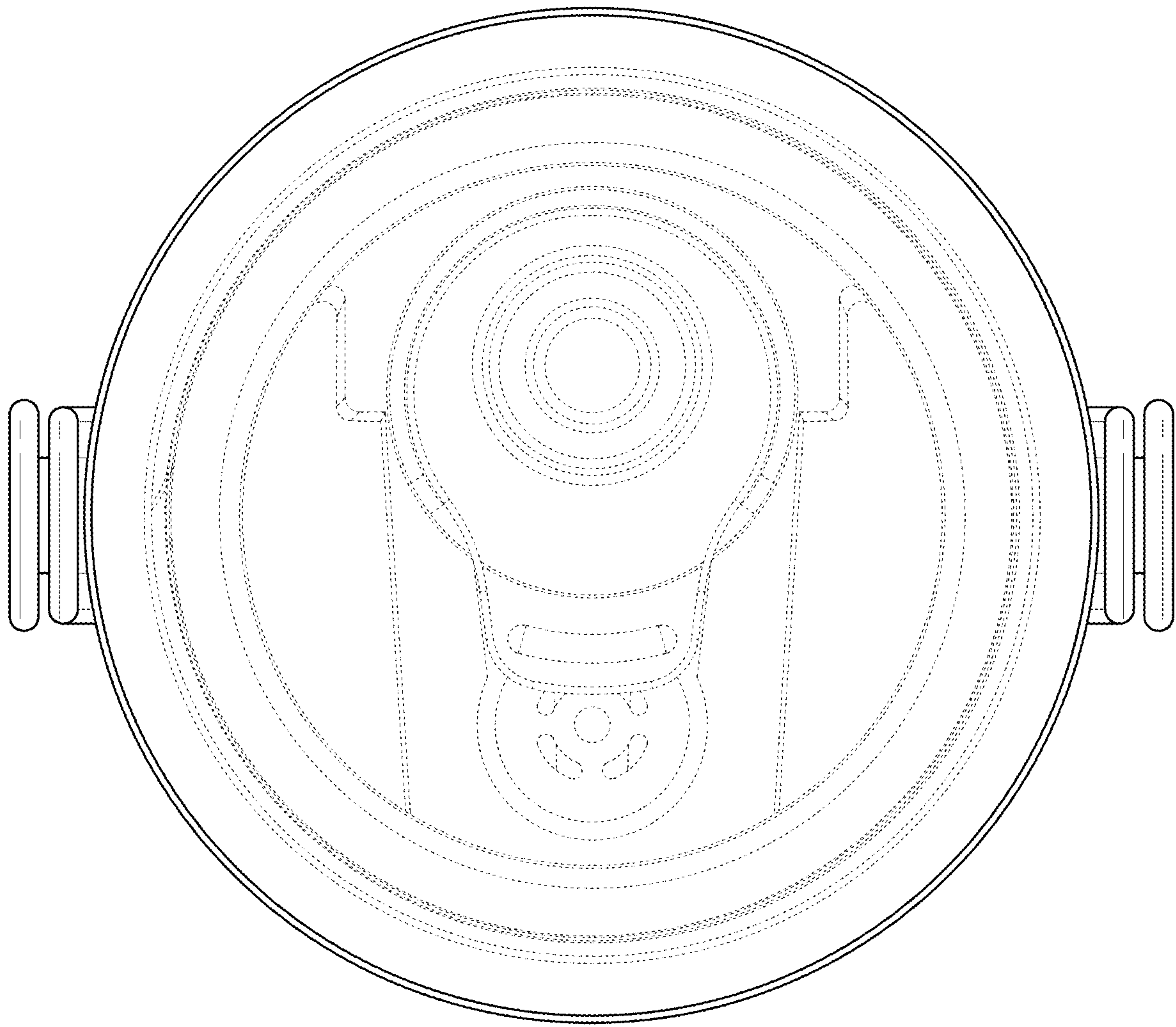


FIG. 8