



US00D893244S

(12) **United States Design Patent** (10) **Patent No.:** **US D893,244 S**  
**Marina et al.** (45) **Date of Patent:** **\*\* Aug. 18, 2020**

(54) **PIERCER**

(71) Applicant: **PepsiCo, Inc.**, Purchase, NY (US)

(72) Inventors: **Carlos Hernan Marina**, Key Biscayne, FL (US); **Dario Federico Stanziano**, Buenos Aires (AR); **Hernán Javier Giorgi**, Buenos Aires (AR); **Tomás Águila**, Buenos Aires (AR)

(73) Assignee: **PepsiCo, Inc.**, Purchase, NY (US)

(\*\*) Term: **15 Years**

(21) Appl. No.: **29/698,829**

(22) Filed: **Jul. 19, 2019**

**Related U.S. Application Data**

(63) Continuation of application No. 29/623,503, filed on Oct. 25, 2017, now Pat. No. Des. 871,832, which is a continuation of application No. 29/567,996, filed on Jun. 14, 2016, now Pat. No. Des. 803,064.

(51) **LOC (12) Cl.** ..... **07-01**

(52) **U.S. Cl.**  
USPC ..... **D7/392.1; D7/396.2; D9/437**

(58) **Field of Classification Search**  
USPC ..... D7/387, 392.1, 396.2, 393, 394, 397, D7/398, 213, 900, 507, 523, 532, 510, D7/511, 529, 533, 536, 534, 524, 537, D7/514, 515, 522, 412, 376, 309, 317, D7/305, 665, 375; D9/435, 436, 443, D9/442, 444, 449, 450, 437; D24/197  
CPC ..... A47G 19/2205; A47G 19/22; A47J 43/27; A47J 41/02; A47J 41/0077; A47J 41/0088; A47J 41/028; A47J 31/407; A47J 31/40; A45F 3/16; B65D 85/804; B65D 41/04

See application file for complete search history.

(56) **References Cited**

**U.S. PATENT DOCUMENTS**

D85,279 S	10/1931	Brooke	
2,073,636 A	3/1937	Holoubek	
D164,965 S *	10/1951	Sewell	D7/387
2,930,408 A	3/1960	Stevens	
3,369,691 A	2/1968	Wei	
D217,899 S	6/1970	Lawton	
D232,915 S	9/1974	Becker	
D262,192 S	12/1981	Wedge	
4,346,495 A	8/1982	Lin	
D278,033 S	3/1985	Borkan et al.	
D286,508 S	11/1986	Tilden	
D313,176 S	12/1990	Okuda et al.	
D316,035 S	4/1991	Pepitone	

(Continued)

**FOREIGN PATENT DOCUMENTS**

AR 81577 10/2010

*Primary Examiner* — Jae Liang

(74) *Attorney, Agent, or Firm* — Sterne, Kessler, Goldstein & Fox P.L.L.C.

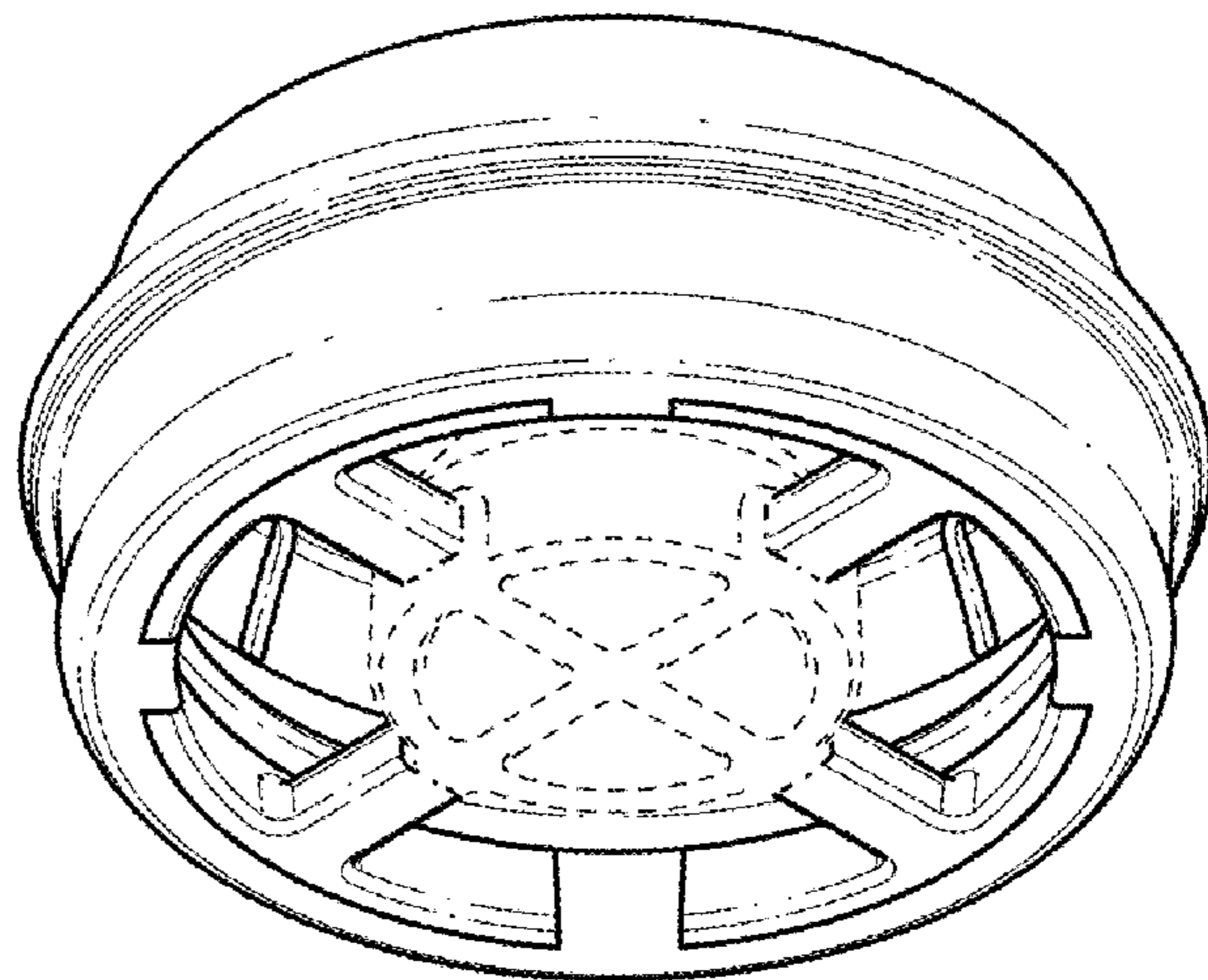
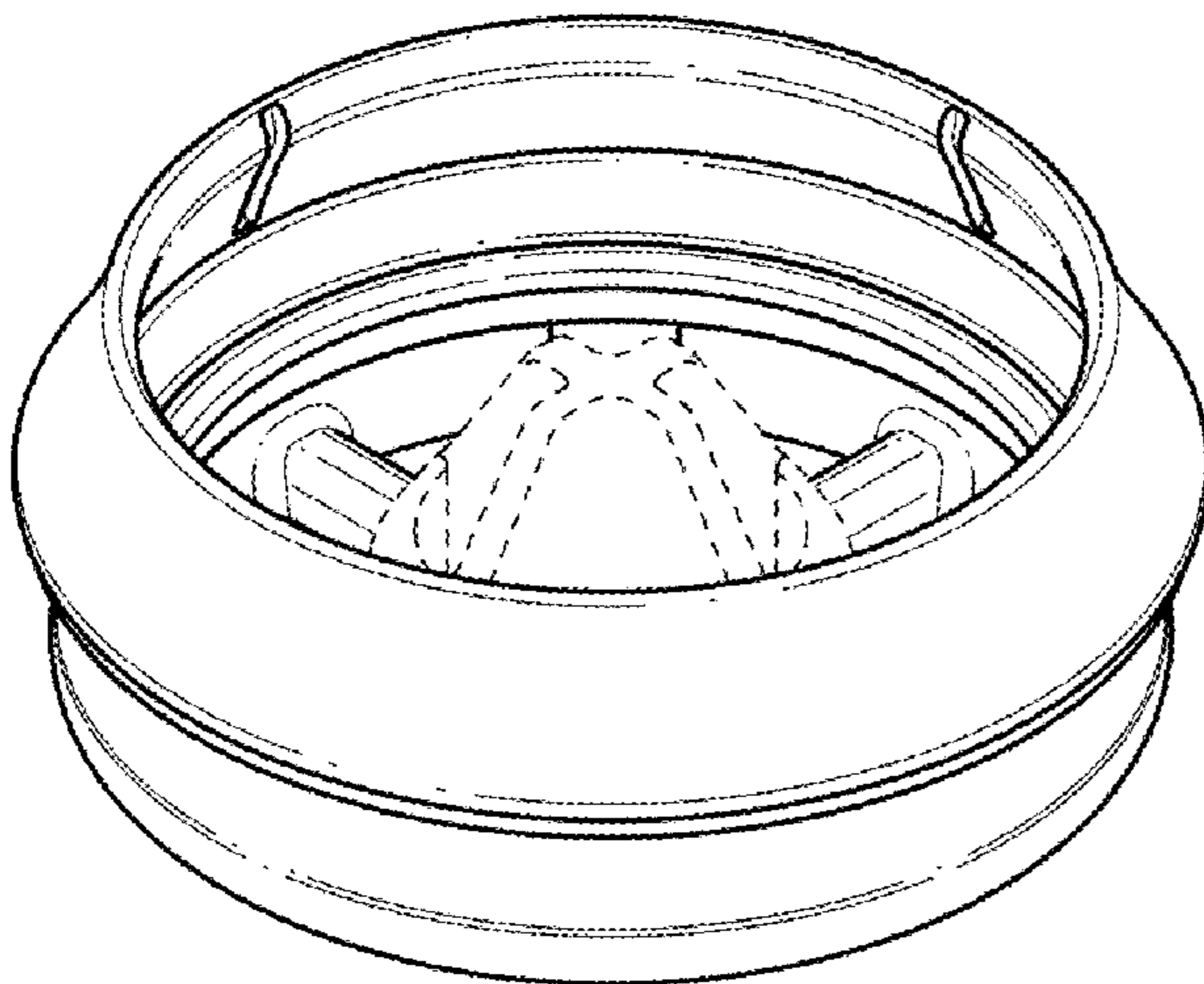
(57) **CLAIM**

The ornamental design for a piercer, as shown and described.

**DESCRIPTION**

FIG. 1 is a top front perspective view of a piercer showing the claimed design;  
FIG. 2 is a bottom front perspective view thereof;  
FIG. 3 is a front view thereof;  
FIG. 4 is a rear view thereof;  
FIG. 5 is a left side view thereof;  
FIG. 6 is a right side view thereof;  
FIG. 7 is a top view thereof; and,  
FIG. 8 is a bottom view thereof.  
The dashed broken lines in the figures show portions of the piercer that form no part of the claimed design.  
The dot-dash broken lines in the figures show boundaries that form no part of the claimed design.

**1 Claim, 3 Drawing Sheets**





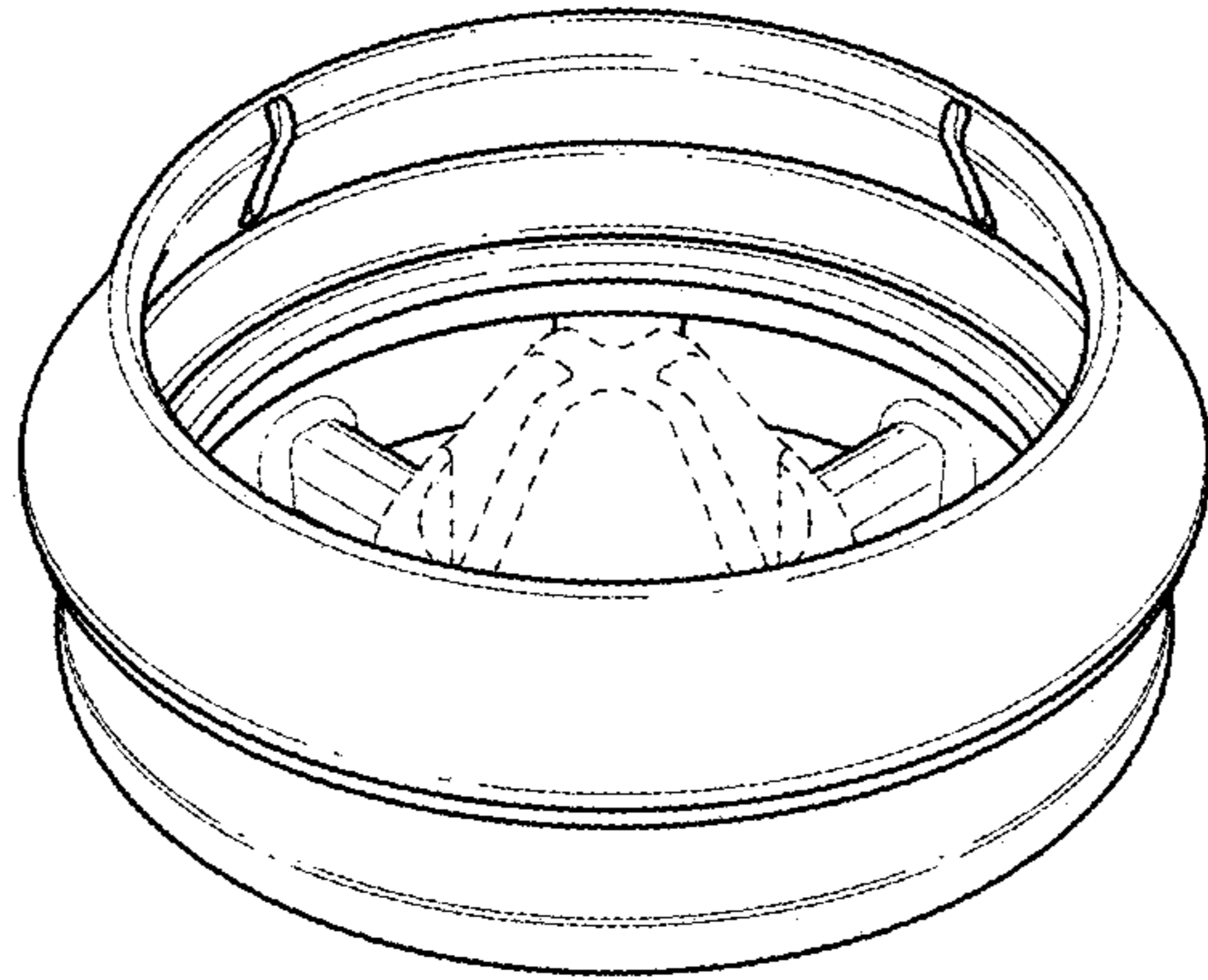
(56)

References Cited

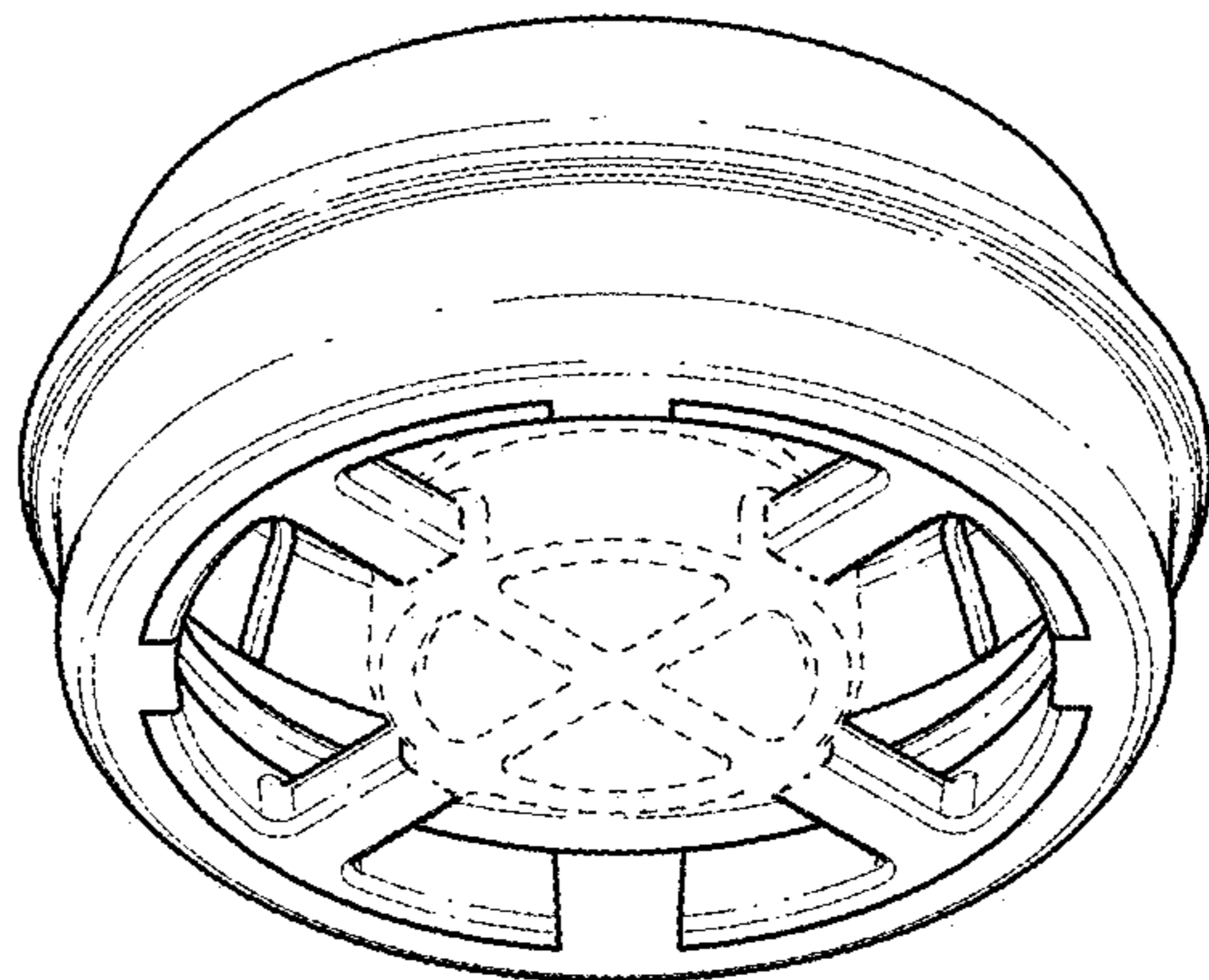
U.S. PATENT DOCUMENTS

D350,460 S	9/1994	Picozza et al.	D650,677 S	12/2011	Wurster et al.
5,385,326 A	1/1995	Bidwell	D660,082 S	5/2012	Wahl
D362,995 S *	10/1995	Marsico ..... D7/387	D661,549 S	6/2012	Kemper et al.
D364,810 S	12/1995	Meisner	D661,551 S	6/2012	Gilbert
5,547,275 A	8/1996	Lillelund et al.	D665,953 S	8/2012	Leary et al.
D374,150 S	10/1996	Lillelund et al.	D668,150 S	10/2012	Crapser et al.
5,573,152 A	11/1996	Arnold	D676,717 S	2/2013	Ceder
D377,435 S	1/1997	Dettmar et al.	8,365,913 B2	2/2013	Ceder
5,626,250 A	5/1997	Dorazio	8,365,941 B2	2/2013	Mayer
5,671,586 A	9/1997	Weder	D680,805 S	4/2013	Rosbach
5,711,445 A	1/1998	Robbins, III	D684,065 S	6/2013	Wiseman
D402,889 S	12/1998	Bryce	D688,531 S	8/2013	Ceder
D405,693 S	2/1999	Bretz et al.	D689,375 S	9/2013	Garner
D407,946 S	4/1999	Brewer et al.	8,544,676 B2	10/2013	Roth et al.
D410,364 S	6/1999	Ramirez et al.	8,579,149 B2	11/2013	Henke et al.
D414,238 S	9/1999	Kupperman	8,584,879 B2	11/2013	Melrose et al.
6,105,799 A	8/2000	Takagawa	D697,431 S	1/2014	Baker et al.
6,142,366 A	11/2000	Sagel	D702,492 S	4/2014	Marina et al.
D448,974 S *	10/2001	Hydak ..... D7/387	D703,000 S	4/2014	Marina et al.
D451,200 S	11/2001	Johansen et al.	D703,487 S	4/2014	Marina et al.
D457,779 S *	5/2002	Gullickson ..... D7/392.1	8,752,720 B1	6/2014	Habig et al.
6,405,675 B1	6/2002	Mills	D709,387 S	7/2014	Marina et al.
6,409,035 B1	6/2002	Oarr et al.	D710,703 S	8/2014	Marina et al.
D464,263 S	10/2002	White et al.	D712,268 S	9/2014	Marina et al.
6,460,759 B1	10/2002	Lowry et al.	D717,651 S	11/2014	Marina et al.
D465,697 S *	11/2002	Renz ..... D7/376	8,899,644 B2	12/2014	Hancey
D470,050 S	2/2003	Renz et al.	8,926,840 B2	1/2015	Hull et al.
D476,522 S *	7/2003	Renz ..... D7/376	D727,171 S	4/2015	Marina et al.
D481,937 S	11/2003	McRae	D730,729 S	6/2015	George
D501,362 S	2/2005	Gauss	D735,038 S	7/2015	Tamarindo
D510,270 S	10/2005	Khalifa	D754,999 S	5/2016	Gamelli
D512,874 S	12/2005	Poulson et al.	D761,628 S	7/2016	Chitayat et al.
D513,588 S *	1/2006	Vovan ..... D9/452	D764,232 S	8/2016	Marina et al.
D516,915 S	3/2006	Gaines	D769,043 S	10/2016	Gamelli et al.
D517,869 S	3/2006	Graves et al.	D791,542 S	7/2017	Miksovsky et al.
D528,417 S *	9/2006	Matsuda ..... D9/439	D794,391 S	8/2017	Palin et al.
D528,862 S	9/2006	Li	D795,644 S	8/2017	Cortadellas et al.
D528,921 S	9/2006	Leoncavallo et al.	D795,646 S	8/2017	Sorensen et al.
D529,338 S	10/2006	Poulson et al.	D799,888 S	10/2017	McClory et al.
D529,379 S	10/2006	Mengeu et al.	D799,889 S	10/2017	McClory et al.
D532,305 S	11/2006	Fellows et al.	D799,890 S	10/2017	McClory et al.
D536,582 S	2/2007	Roth et al.	D815,942 S	4/2018	Marina et al.
D536,929 S	2/2007	Kingsley	D836,409 S	12/2018	Silsby et al.
D537,676 S	3/2007	Kingsley	D840,223 S	2/2019	Marina et al.
D539,078 S	3/2007	Anderson et al.	10,232,985 B2	3/2019	Bisio
D539,136 S	3/2007	Limber	D856,073 S *	8/2019	Reed ..... D7/398
D547,657 S	7/2007	Tacchella	D863,878 S *	10/2019	Cortadellas ..... D7/396.2
D554,000 S	10/2007	Walsh	D871,832 S *	1/2020	Marina ..... D7/392.1
D562,626 S	2/2008	Freeman	2002/0027142 A1	3/2002	Klein
D565,353 S	4/2008	Roth et al.	2004/0124192 A1	7/2004	Teller
D567,021 S	4/2008	Bach et al.	2006/0124579 A1	6/2006	Nielson
D569,685 S	5/2008	Liu	2007/0084821 A1	4/2007	Bysick et al.
D579,272 S	10/2008	Pickering et al.	2007/0199914 A1	8/2007	Hung
D581,278 S	11/2008	Shibata et al.	2008/0061025 A1	3/2008	Egnatski
D588,870 S	3/2009	Rasmussen	2008/0087624 A1	4/2008	Buckley
D594,332 S	6/2009	Nerubay	2008/0264896 A1	10/2008	Eveleth
D596,458 S	7/2009	McKinney	2009/0178995 A1	7/2009	Tung et al.
D600,973 S	9/2009	Lane	2010/0055252 A1	3/2010	Marina et al.
D609,969 S	2/2010	McKinney	2011/0166910 A1	7/2011	Marina et al.
D622,835 S	8/2010	Mendheim	2012/0183657 A1	7/2012	Marina et al.
D626,415 S	11/2010	Kolano	2013/0103589 A1	4/2013	Cragun et al.
D629,693 S	12/2010	Rica	2014/0130454 A1	5/2014	Kommer
D635,020 S	3/2011	Kunishige et al.	2016/0376061 A1	12/2016	Shirley et al.
D637,466 S	5/2011	Singleton et al.	2017/0029156 A1	2/2017	Eguchi et al.
D647,364 S	10/2011	Audette et al.	2017/0354289 A1	12/2017	Marina et al.
			2018/0009590 A1	1/2018	Wong et al.

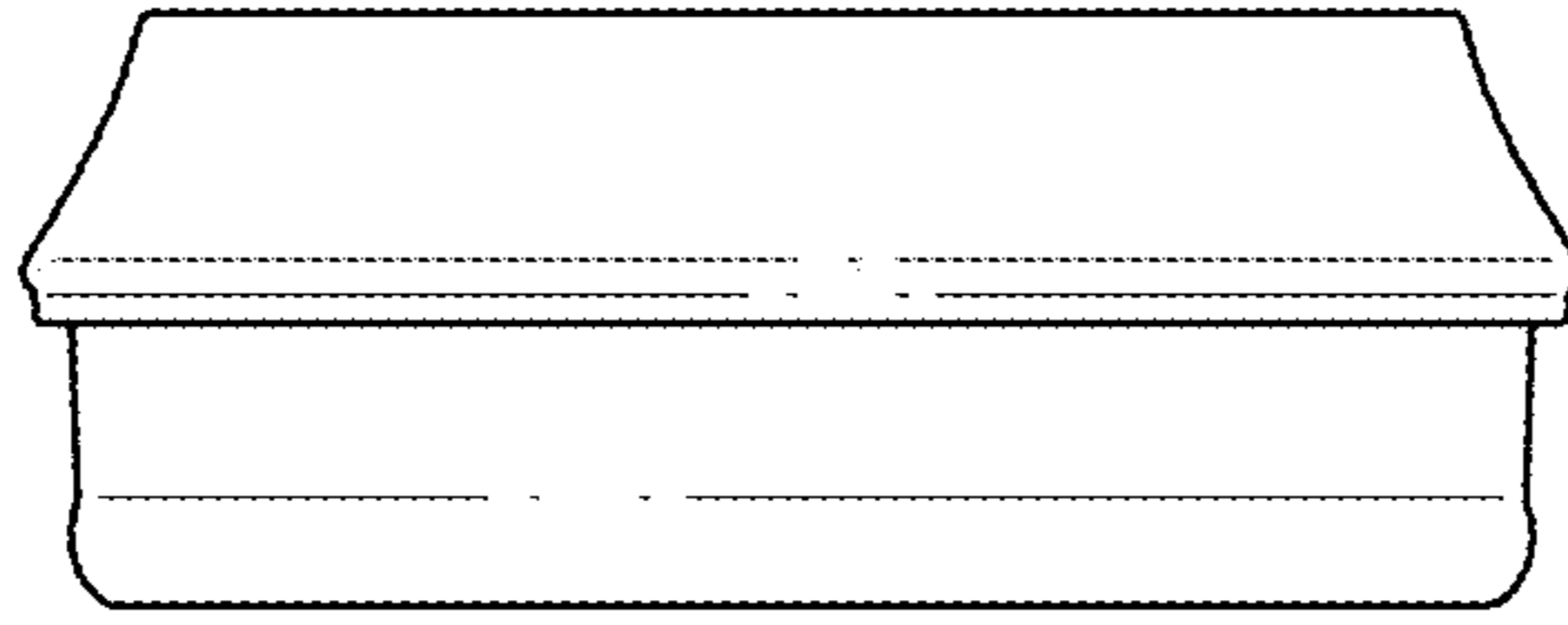
\* cited by examiner



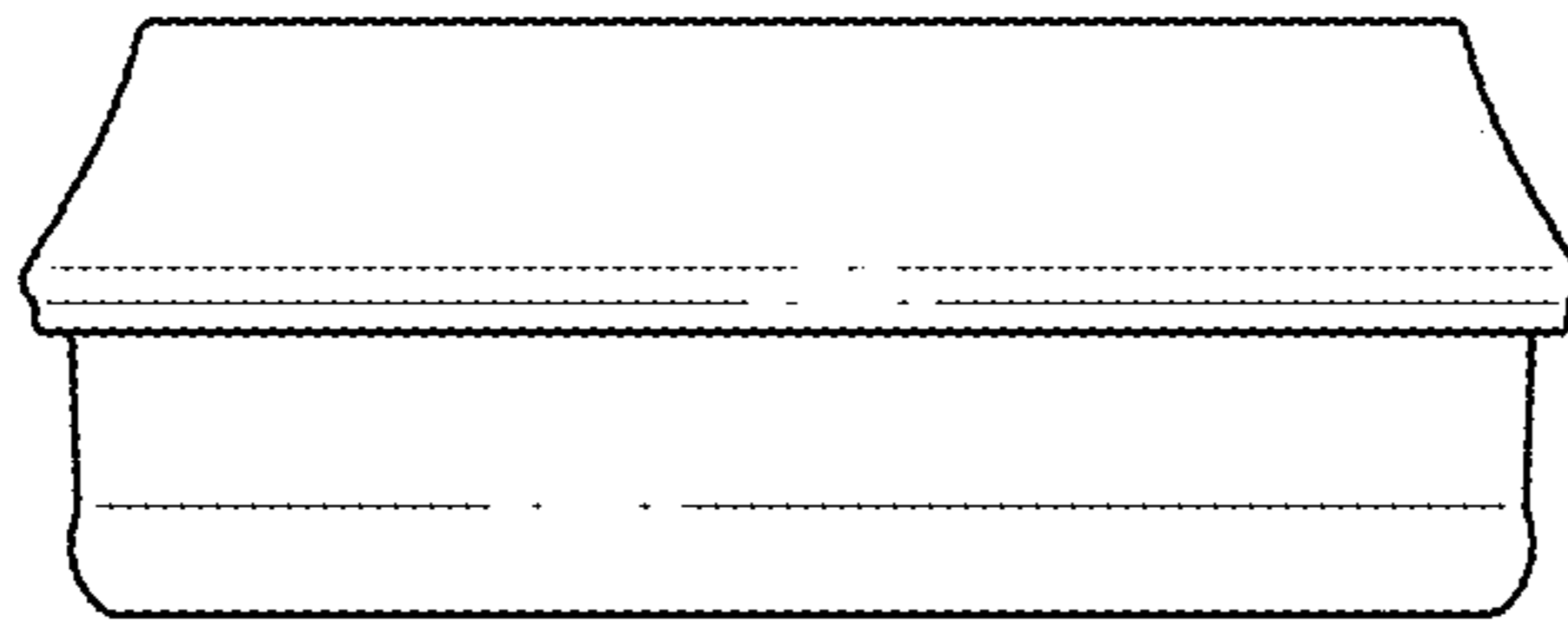
**FIG. 1**



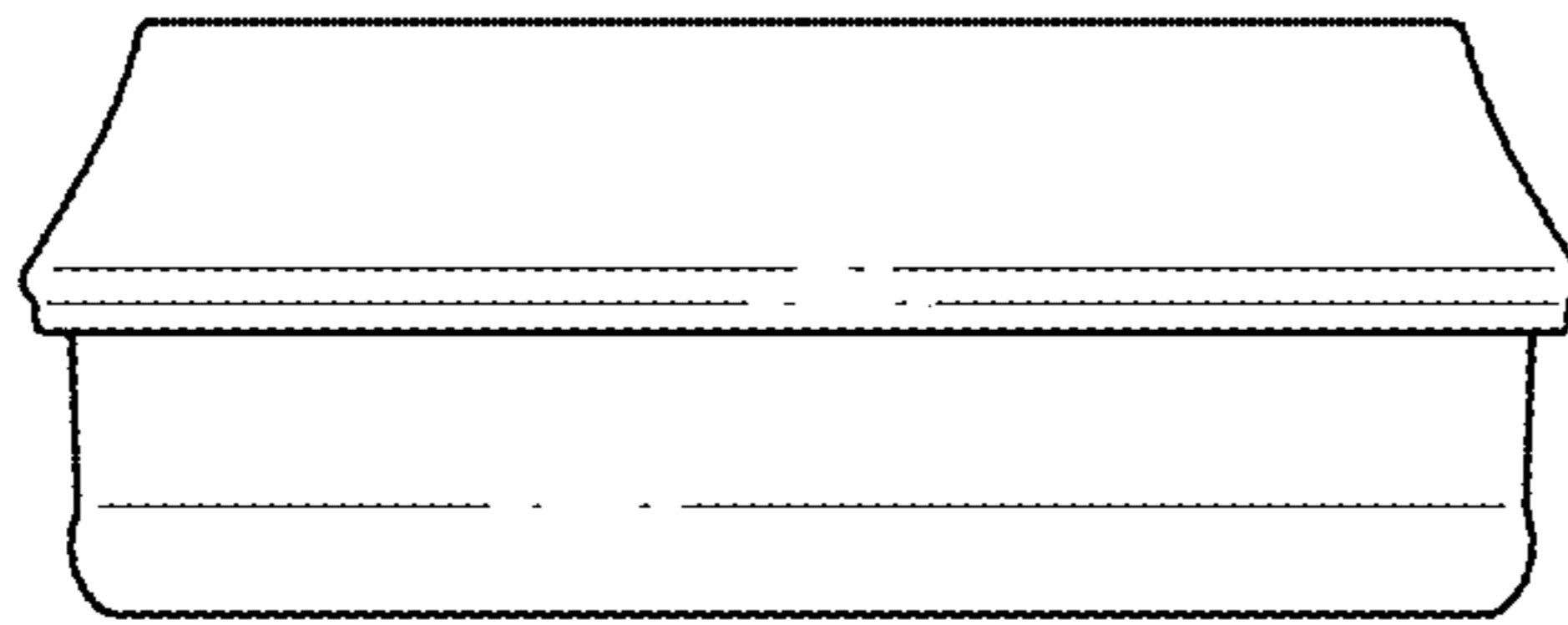
**FIG. 2**



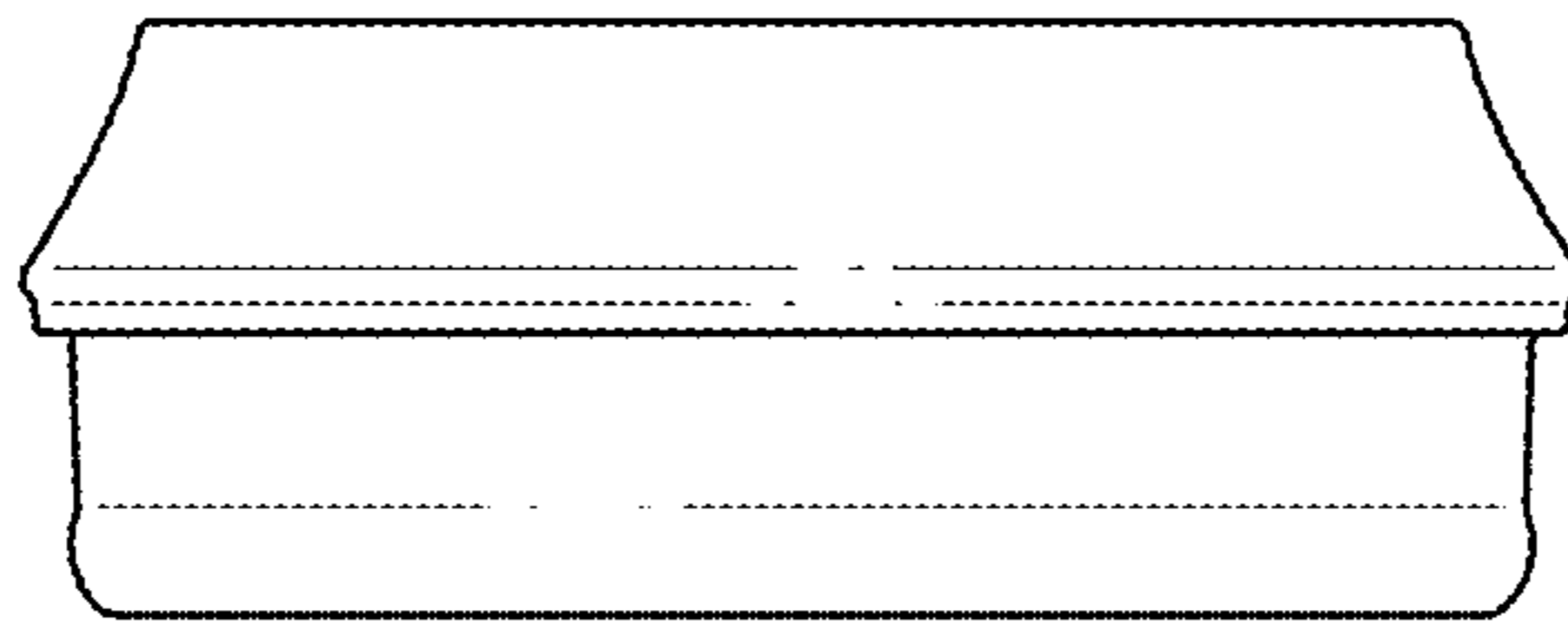
**FIG. 3**



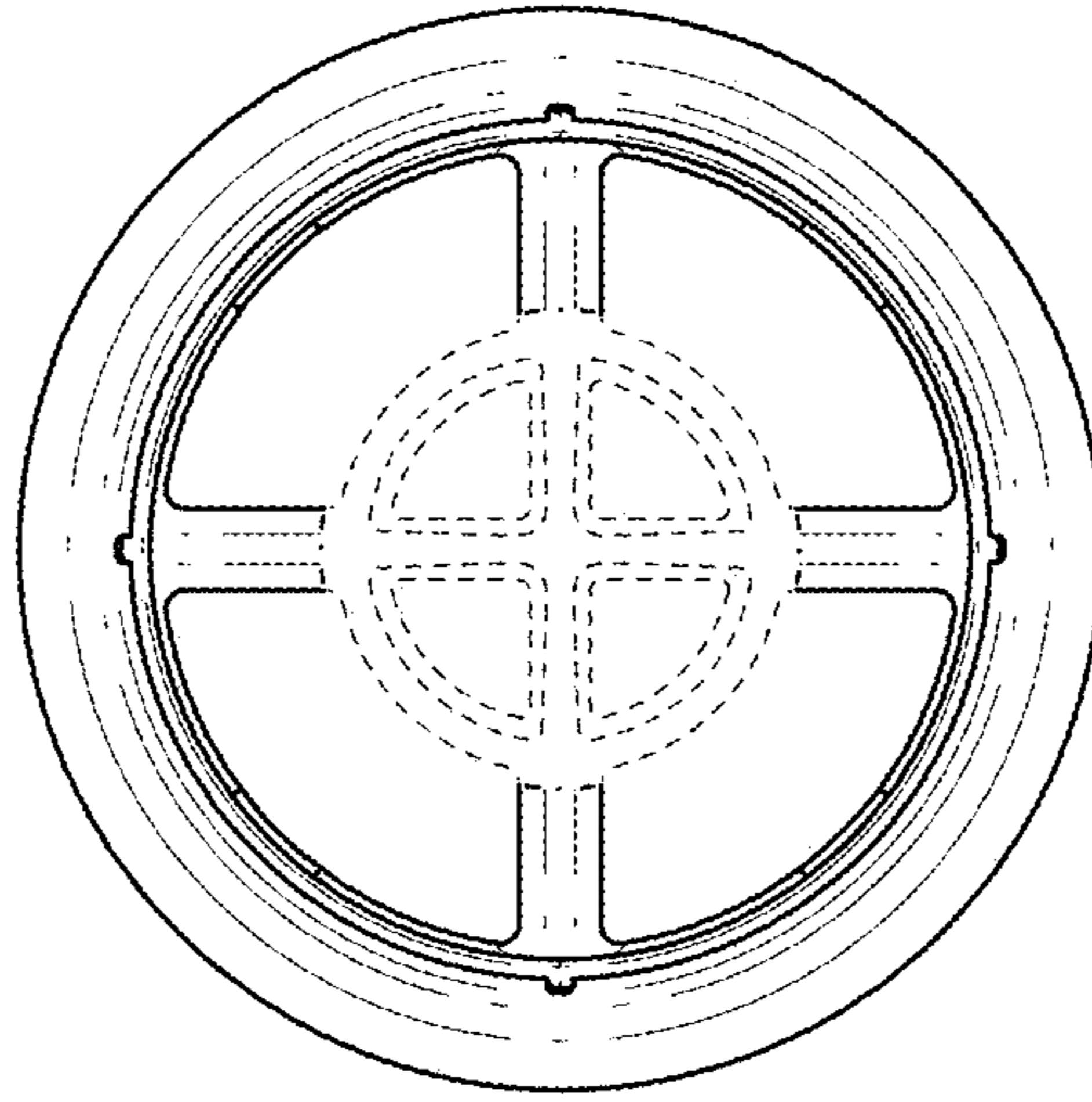
**FIG. 4**



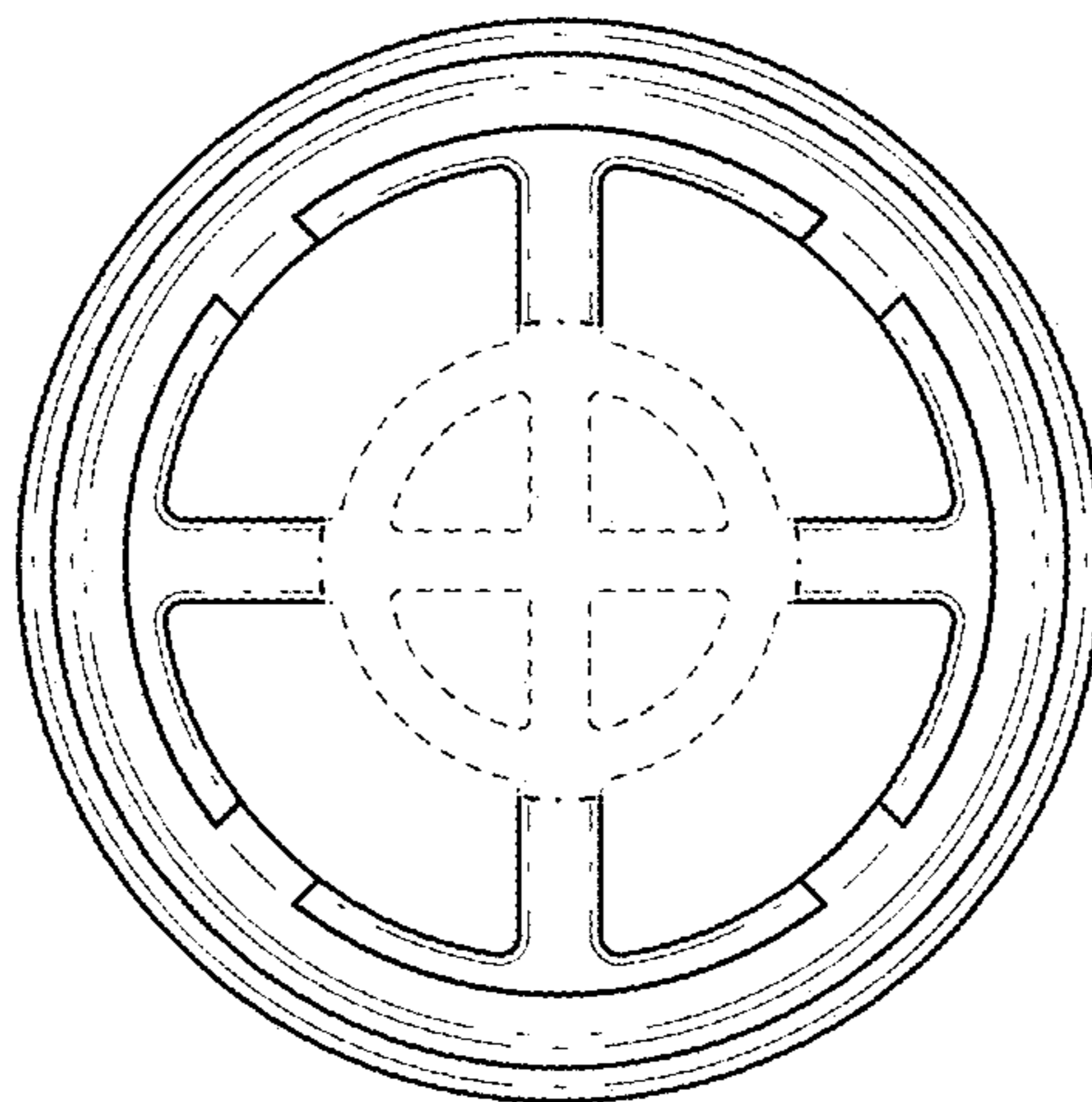
**FIG. 5**



**FIG. 6**



**FIG. 7**



**FIG. 8**