



US00D893243S

(12) **United States Design Patent** (10) **Patent No.:** **US D893,243 S**
Barber (45) **Date of Patent:** **** Aug. 18, 2020**

(54) **LID FOR A CONTAINER**

(71) Applicant: **BRADSHAW INTERNATIONAL, INC.**, Rancho Cucamonga, CA (US)

(72) Inventor: **Tom Barber**, Manhattan Beach, CA (US)

(73) Assignee: **BRADSHAW INTERNATIONAL, INC.**, Rancho Cucamonga, CA (US)

(**) Term: **15 Years**

(21) Appl. No.: **29/674,981**

(22) Filed: **Dec. 27, 2018**

(51) **LOC (12) Cl.** **07-01**

(52) **U.S. Cl.**
USPC **D7/392.1**

(58) **Field of Classification Search**
USPC D7/391, 392, 392.1, 397, 510, 511, 542,
D7/543, 602, 605, 629; D9/435, 443,
D9/447, 449, 454
CPC B65D 47/305; B65D 47/122
See application file for complete search history.

(56) **References Cited**

U.S. PATENT DOCUMENTS

D683,581 S *	6/2013	Archer	D7/392.1
8,602,238 B2 *	12/2013	El-Saden	B65D 47/066
				215/389
D704,986 S *	5/2014	Manies	D7/392.1
D742,230 S *	11/2015	Charles	D7/396.2
D747,136 S *	1/2016	Lane	D7/396.2
D793,154 S *	8/2017	Sorensen	D7/392.1
D799,270 S *	10/2017	Polk, III	D7/510
D817,084 S *	5/2018	Hammer	D7/392.1
D860,717 S *	9/2019	Barber	D9/443
D870,508 S *	12/2019	Palkon	D7/392.1
D872,524 S *	1/2020	Bo	D9/443
2015/0173539 A1 *	6/2015	Mason	B65D 47/063
				220/707
2019/0112112 A1 *	4/2019	Choltco-Devlin	B65D 43/0225

OTHER PUBLICATIONS

“GoBottle Double Wall Pick-a-Side”. Found online Feb. 19, 2020 at amazon.com. Reference dated Dec. 15, 2017. Retrieved from https://www.amazon.com/GoBottle-40248-Double-System-Bottle/dp/B078G1QWL7/ref=sr_1_31?keywords=gobottle&qid=1582156178&sr=8-31.*

“Takeya Actives Straw Lid”. Found online Jan. 3, 2020 at amazon.com. Reference dated Apr. 5, 2018. Retrieved from <https://www.amazon.com/...1lxVzVLElyTTVMNSZ3aWRnZXROYW11PXNwX2RldGFpbF90aGVtYXRpYyZhY3Rpb249Y2xpY2tSZWRpcmVjdCZkb05vdExvZ0NsaWNrPXRydWU=>.*

“Bubba Hero Sport Vacuum Water Bottle”. Found online Jun. 27, 2017 at amazon.com. Reference dated Nov. 21, 2014. Retrieved from <https://www.amazon.com/...A?psc=1&SubscriptionId=AKIAINJNYNCDYDBGXQVA&tag=bab0284-20&linkCode=xm2&camp=2025&creative=165953&creativeASIN=B00XMH7MEA>.*

* cited by examiner

Primary Examiner — Kendra Leslie Hamilton

(74) *Attorney, Agent, or Firm* — Birch, Stewart, Kolasch & Birch, LLP

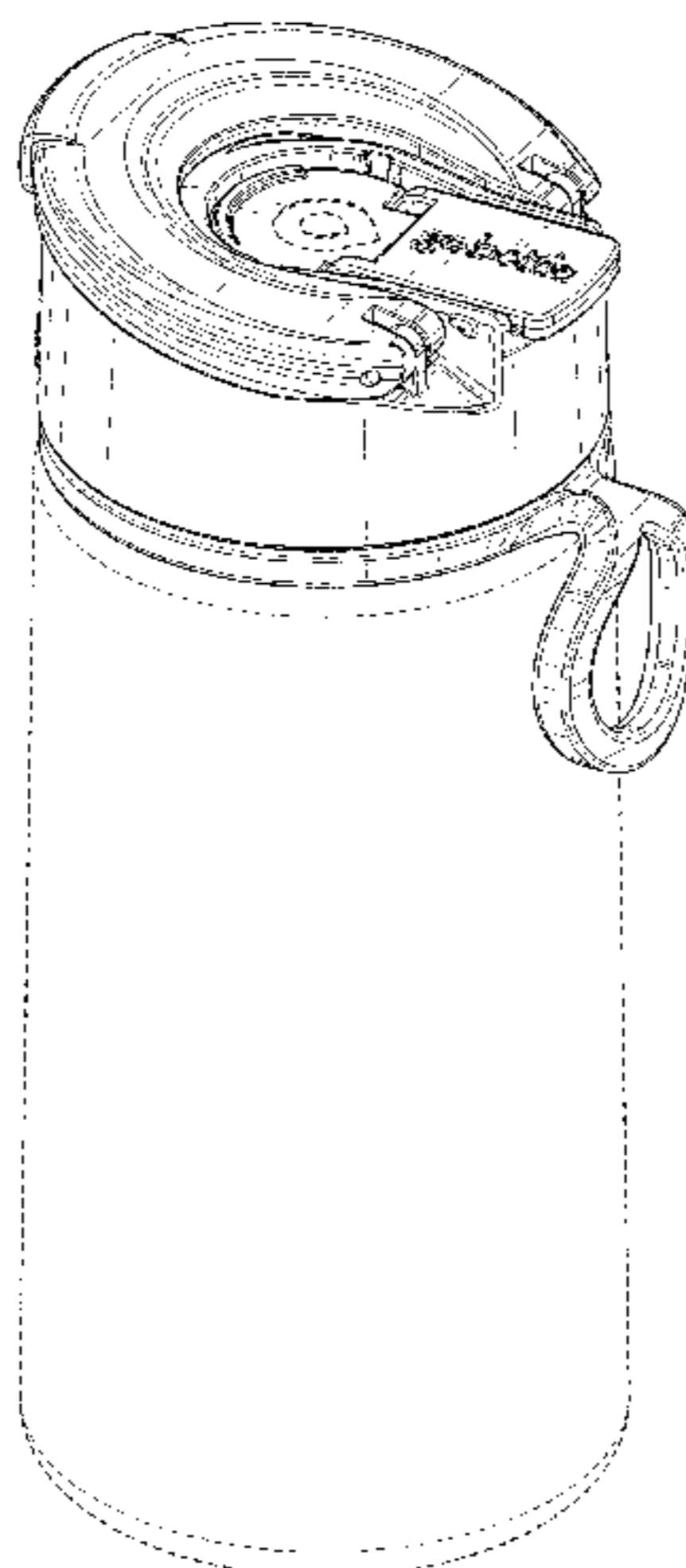
(57) **CLAIM**

The ornamental design for a lid for a container, as shown and described.

DESCRIPTION

FIG. 1 is a top, front, left perspective view of a lid for a container showing my new design in a condition of use; FIG. 2 is a front view thereof; FIG. 3 is a rear view thereof; FIG. 4 is a left side view thereof; FIG. 5 is a right side view thereof; FIG. 6 is a top plan view thereof; and, FIG. 7 is a bottom plan view thereof. The broken lines in the drawings depict portions of the lid for a container that form no part of the claimed design. The

(Continued)



broken lines showing a container in the drawings depict environmental matter that forms no part of the claimed design.

1 Claim, 6 Drawing Sheets

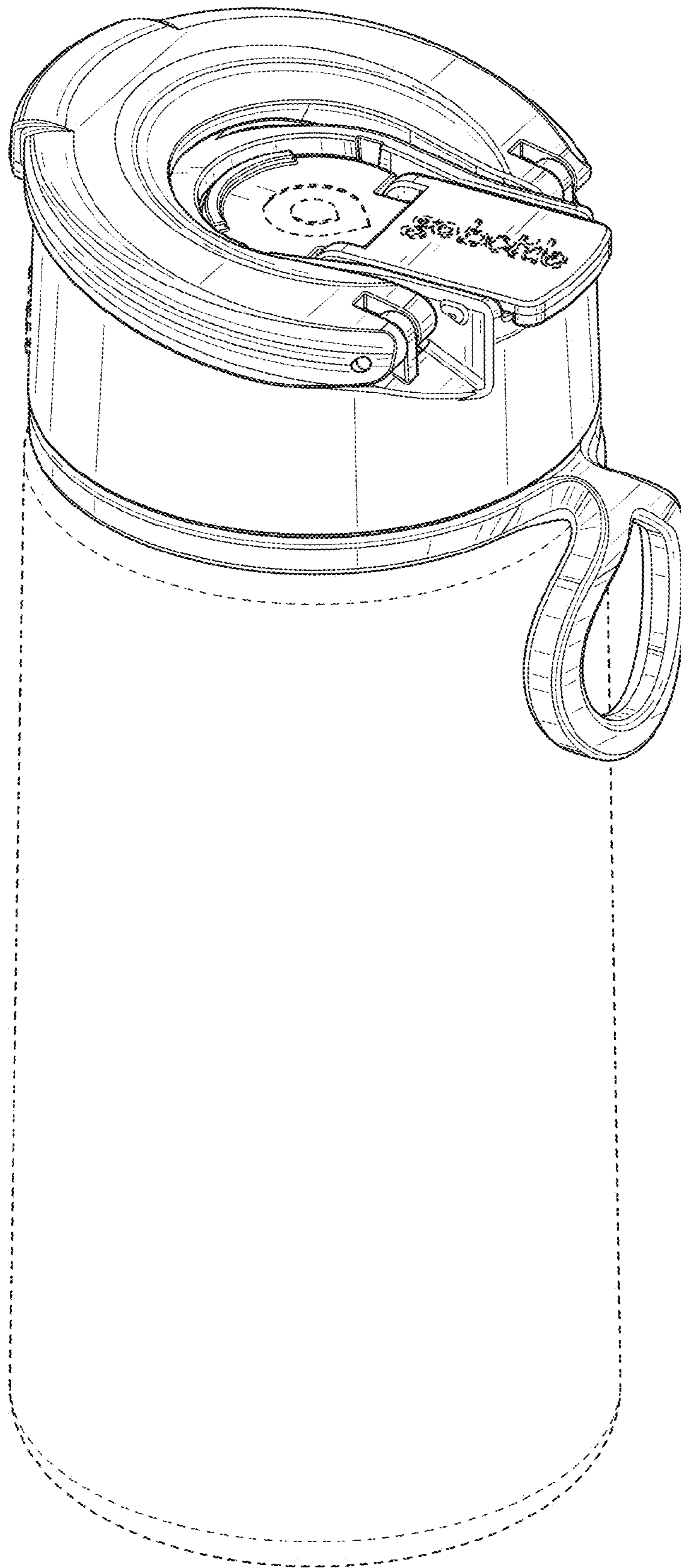


FIG. 1

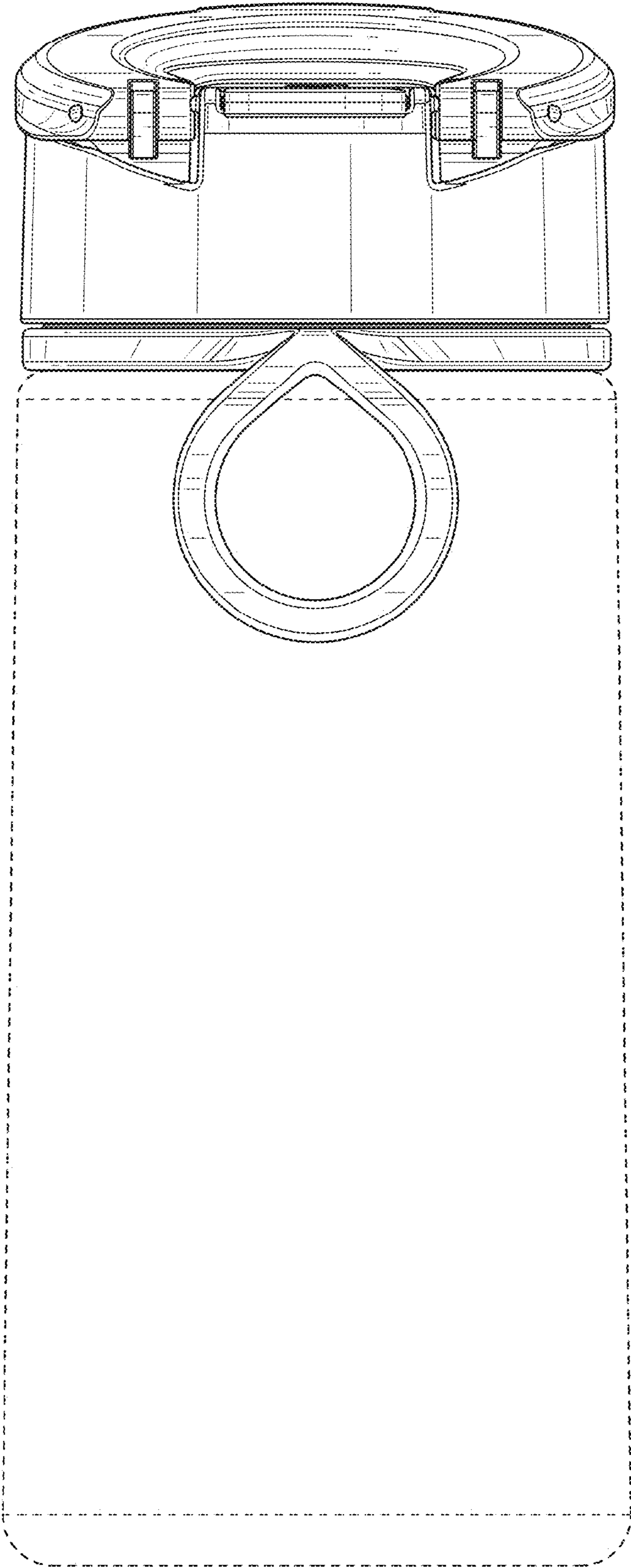


FIG. 2

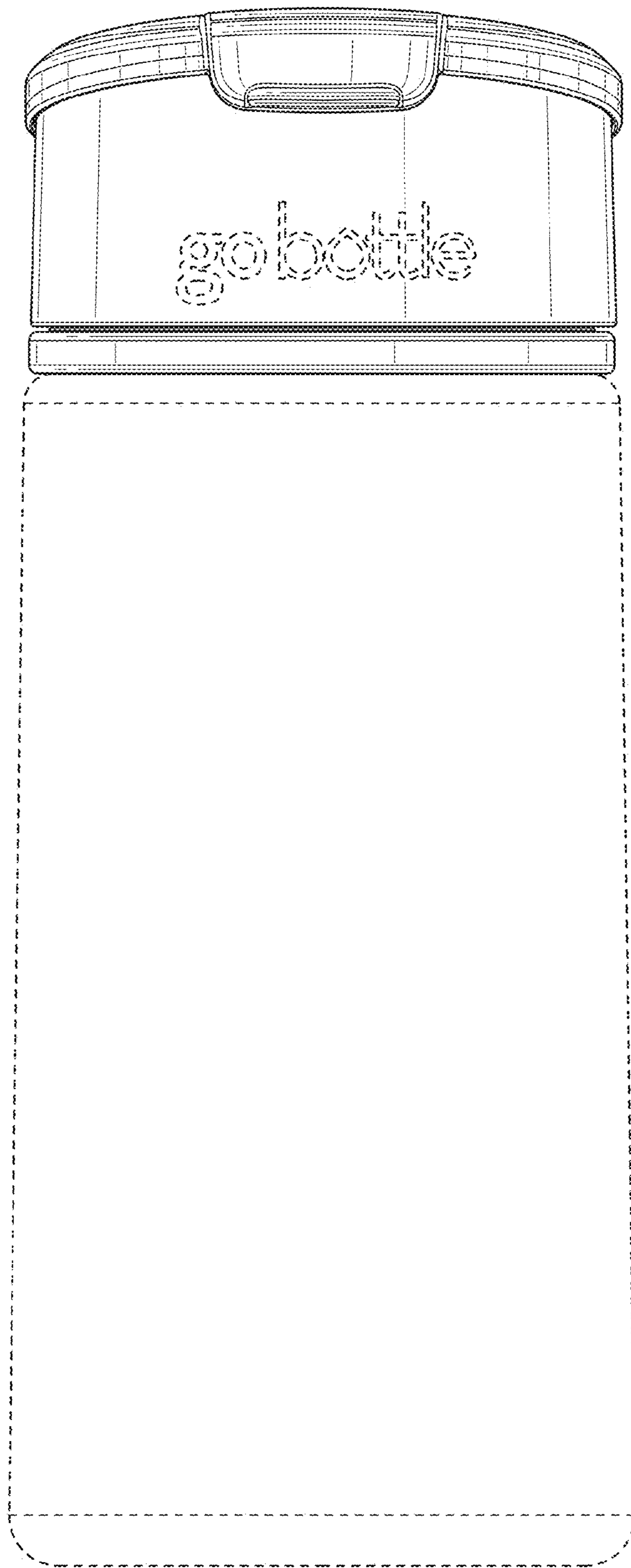


FIG. 3

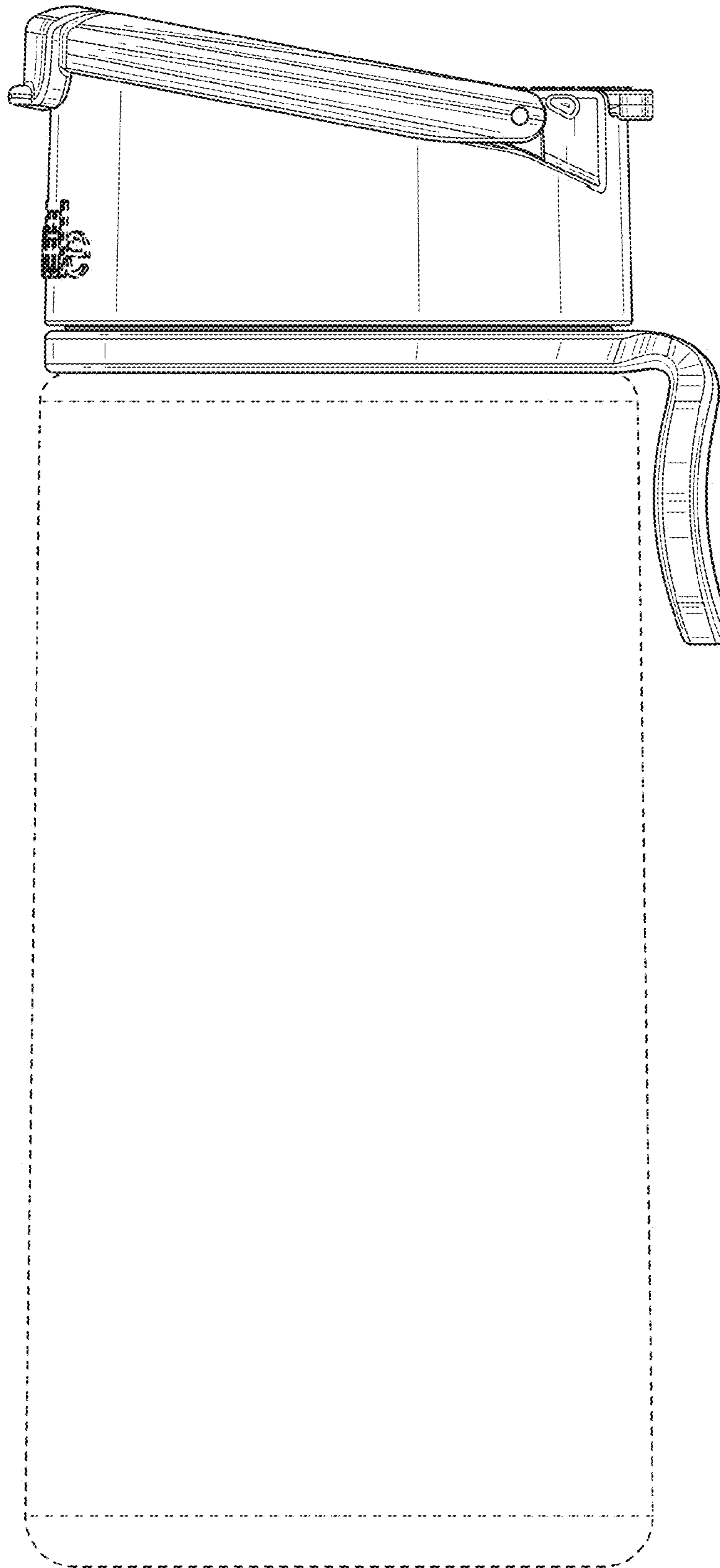


FIG. 4

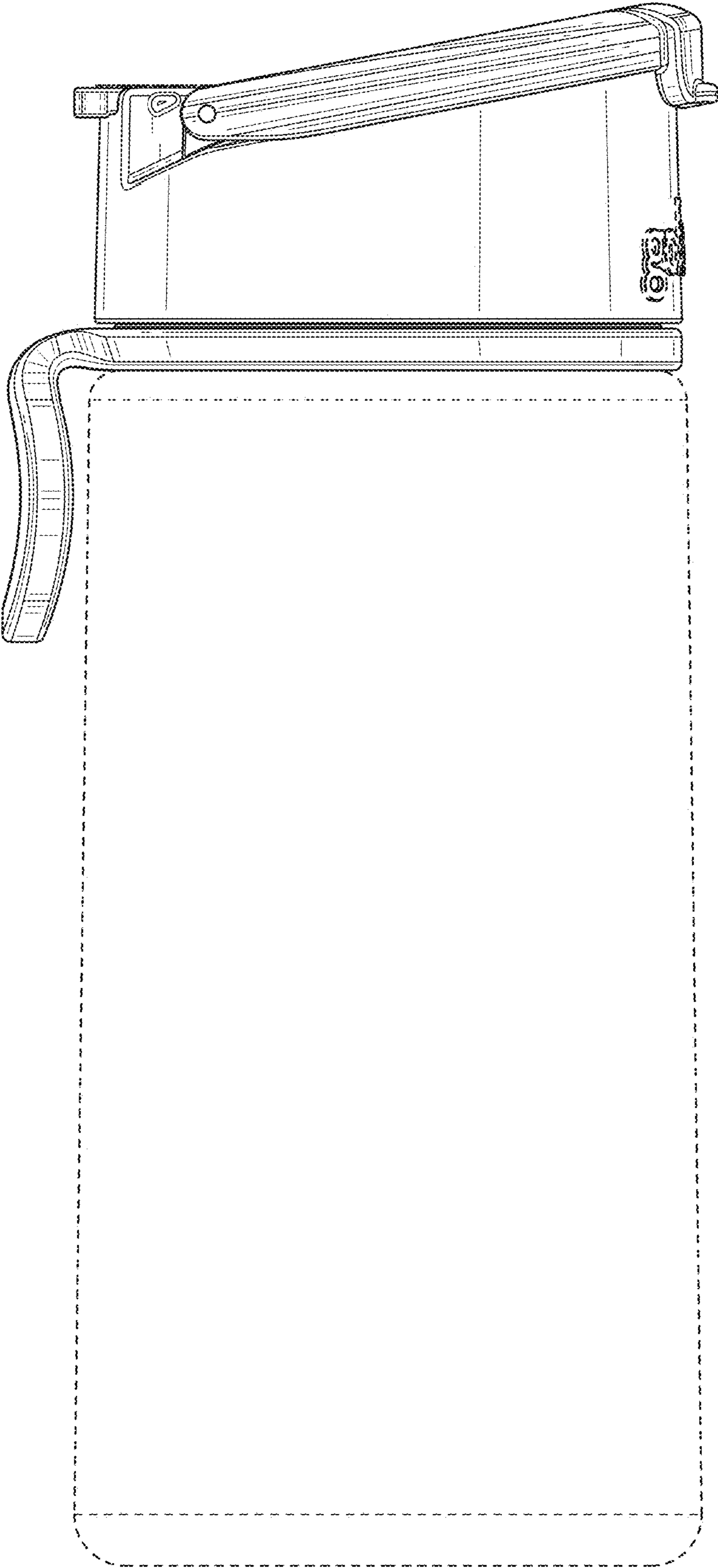


FIG. 5

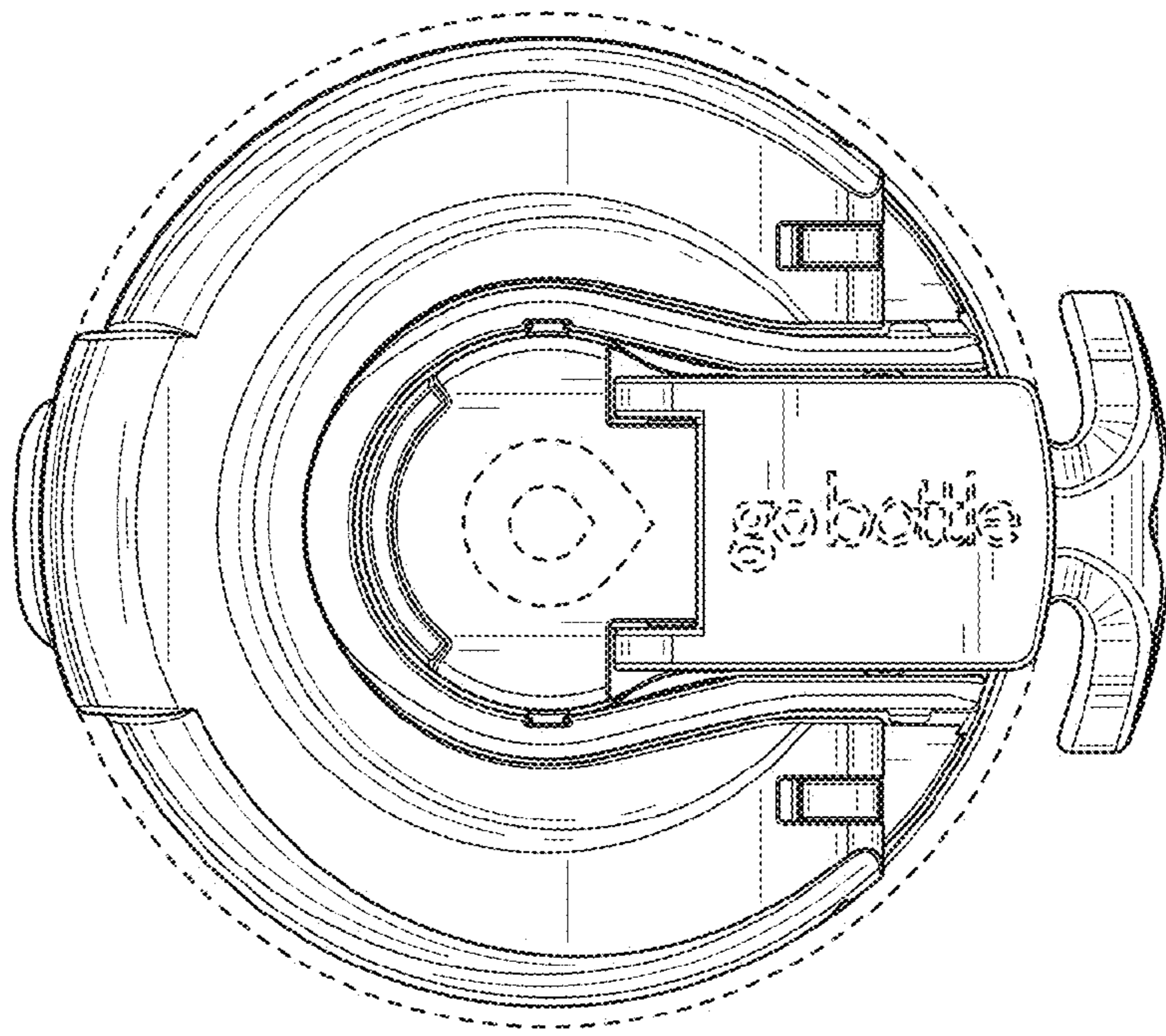


FIG. 6

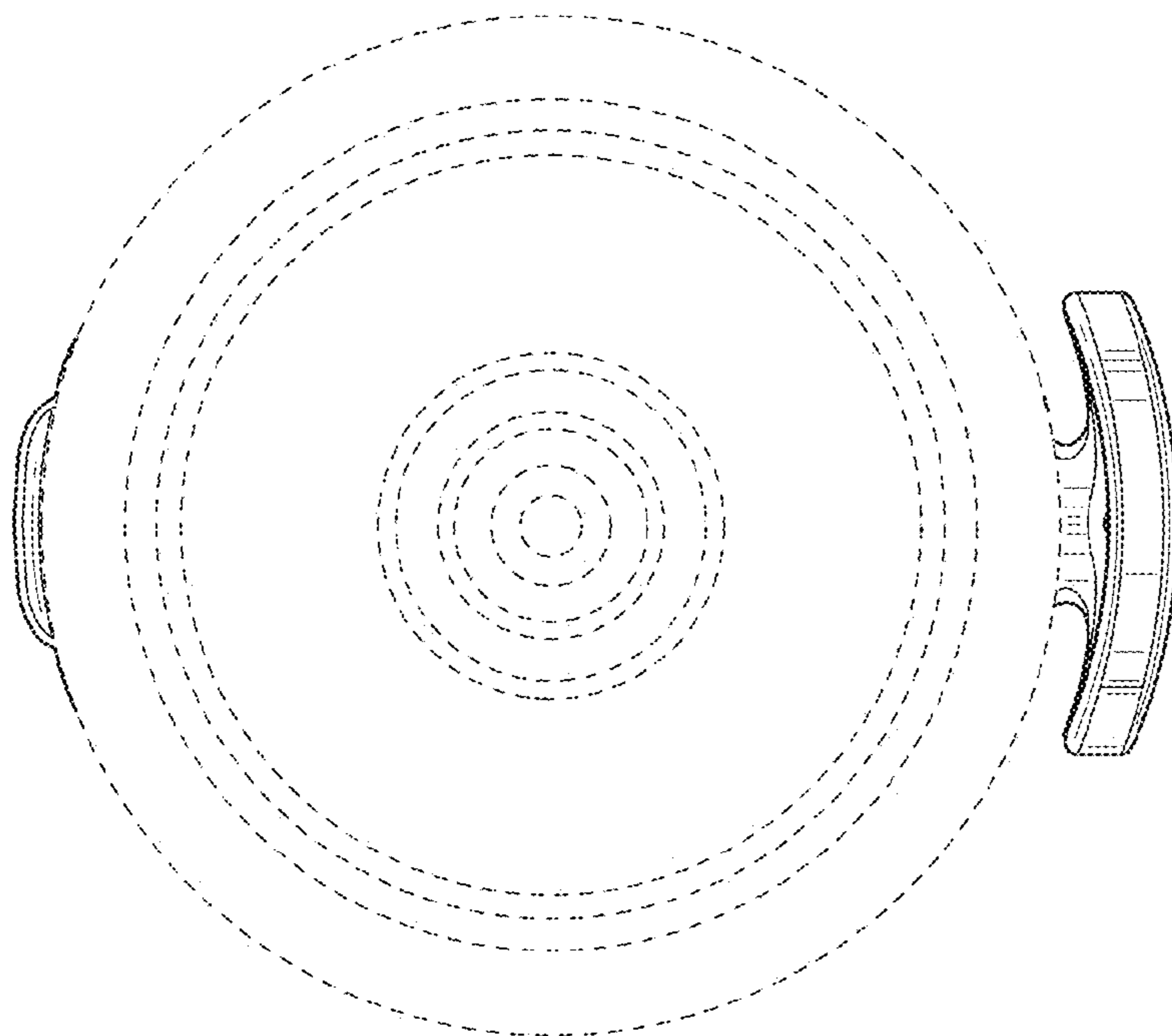


FIG. 7