



US00D893242S

(12) **United States Design Patent**
Baron et al.

(10) **Patent No.:** **US D893,242 S**

(45) **Date of Patent:** **** Aug. 18, 2020**

(54) **MASON JAR LID**

(71) Applicant: **MASONTOPS, INC.**, Toronto (CA)

(72) Inventors: **Philip Baron**, Toronto (CA); **Michael Bacher**, Toronto (CA); **Brett Molnar**, Toronto (CA)

(73) Assignee: **MASONTOPS, INC.**, Toronto (CA)

(**) Term: **15 Years**

(21) Appl. No.: **29/701,673**

(22) Filed: **Aug. 13, 2019**

Related U.S. Application Data

(63) Continuation of application No. 29/661,490, filed on Aug. 28, 2018, now Pat. No. Des. 856,064, which is a continuation of application No. 29/604,260, filed on May 16, 2017, now Pat. No. Des. 826,631.

(51) **LOC (12) Cl.** **07-99**

(52) **U.S. Cl.**
USPC **D7/392**; D7/392.1; D9/454

(58) **Field of Classification Search**
USPC D7/391, 510, 511, 538, 540, 542, 543, D7/544, 545, 629, 392.1, 392; D9/452, D9/453, 454, 435, 447, 449, 780, 434, D9/440
CPC ... A47G 19/2205; A47G 19/2222; A45F 3/16; A45F 3/20; B67D 7/06; B67D 1/0004; B65D 25/14; B65D 47/065; B65D 47/066
See application file for complete search history.

(56) **References Cited**

U.S. PATENT DOCUMENTS

D569,245 S	5/2008	Joshi et al.
D682,016 S	5/2013	Knight
D682,612 S	5/2013	Rzepecki
D691,849 S	10/2013	Cetera et al.
D696,551 S	12/2013	Meyers et al.

D699,996 S	2/2014	De Leo
D721,276 S	1/2015	Herbst
D747,624 S	1/2016	Walker
D771,990 S	11/2016	Horowitz
D788,583 S	6/2017	Tu
D790,272 S	6/2017	Han
D799,270 S	10/2017	Polk, III

(Continued)

OTHER PUBLICATIONS

Masontops website, Multi Tops—Easy Sip & Pour Mason Jar Lids, Publication date unknown, [site visited Apr. 10, 2018], Available on the Internet URL <https://www.masontops.com/collections/storage-solutions/products/multi-tops-easy-sip-pour-mason-jar-lids>.

(Continued)

Primary Examiner — Karen S Acker

Assistant Examiner — Steven B Reinholdt, Jr.

(74) *Attorney, Agent, or Firm* — McAndrews, Held & Malloy, Ltd.

(57) **CLAIM**

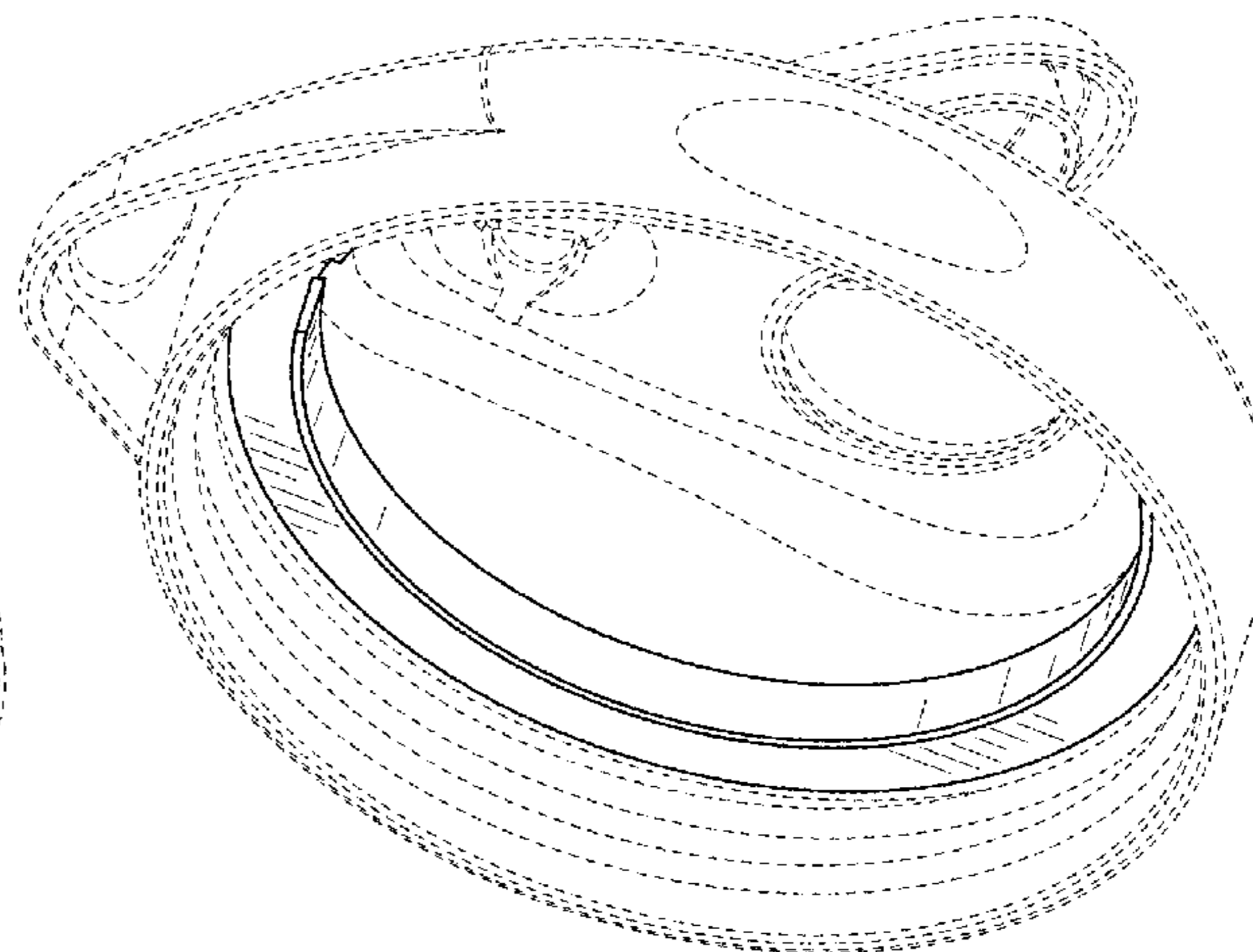
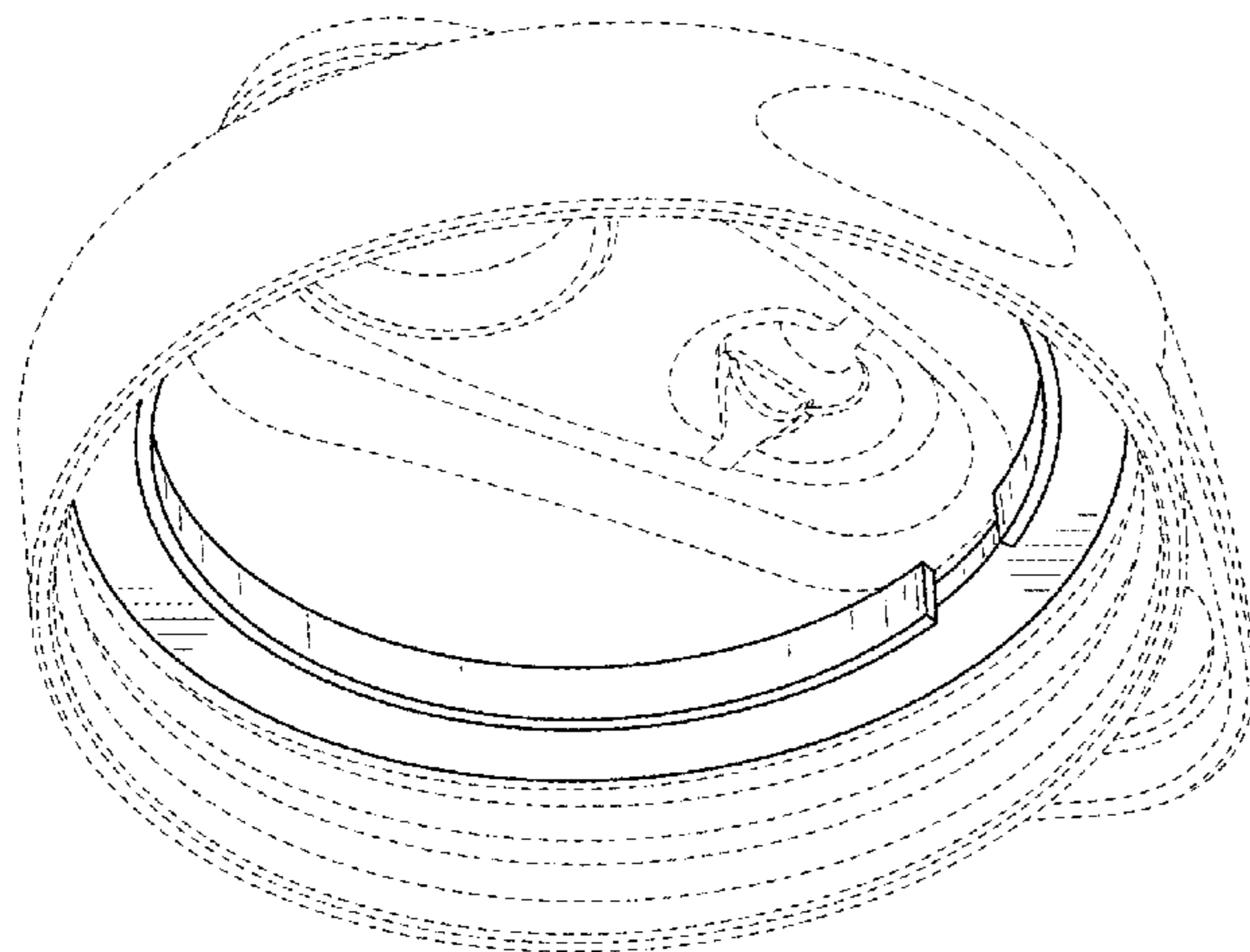
The ornamental design for a mason jar lid, as shown and described.

DESCRIPTION

FIG. 1 is a bottom perspective view of a mason jar lid showing our new design in a closed position; FIG. 2 is a front elevation view thereof; FIG. 3 is a rear elevation view thereof; FIG. 4 is a right side elevation view thereof; FIG. 5 is a left side elevation view thereof; FIG. 6 is a top plan view thereof; FIG. 7 is a bottom plan view thereof; and, FIG. 8 is a bottom perspective view thereof showing our new design in an open position.

The dashed broken lines and areas within them adjacent to the shaded areas depict portions of the mason jar lid that form no part of the claimed design.

1 Claim, 4 Drawing Sheets



(56)

References Cited

U.S. PATENT DOCUMENTS

D808,216	S	1/2018	Holowaychuk et al.	
D810,503	S	2/2018	Murosky	
D810,567	S	2/2018	Brovar	
D820,036	S	6/2018	Lonner et al.	
D826,631	S	8/2018	Baron et al.	
D830,119	S *	10/2018	Sorensen	D7/392.1
D832,640	S	11/2018	Blofeld et al.	
D835,939	S *	12/2018	Yee	D7/392.1
D836,985	S	1/2019	Otto	
D839,663	S	2/2019	Hu	
D846,392	S *	4/2019	Markey	D9/447
D856,064	S *	8/2019	Baron	D7/392
D872,511	S *	1/2020	Parks	D7/300.1
D876,236	S *	2/2020	Griffis	D9/452
D876,237	S *	2/2020	Rust	D9/454
D876,594	S *	2/2020	Watanabe	D23/269
D878,147	S *	3/2020	Berresheim	D7/392.1
D878,853	S *	3/2020	Omdahl, II	D7/392.1
D878,855	S *	3/2020	Nucci	D7/392.1
2014/0091086	A1	4/2014	Sorensen et al.	
2015/0136786	A1	5/2015	Lonner et al.	

OTHER PUBLICATIONS

YouTube—Masontops, Multi Top Mason Jar Lids by Masontops—SIP, Pour, Store & More, Feb. 28, 2018, [site visited Apr. 10, 2018], Available on the Internet URL <https://www.youtube.com/watch?v=kY9cLcbJbyl>.

* cited by examiner

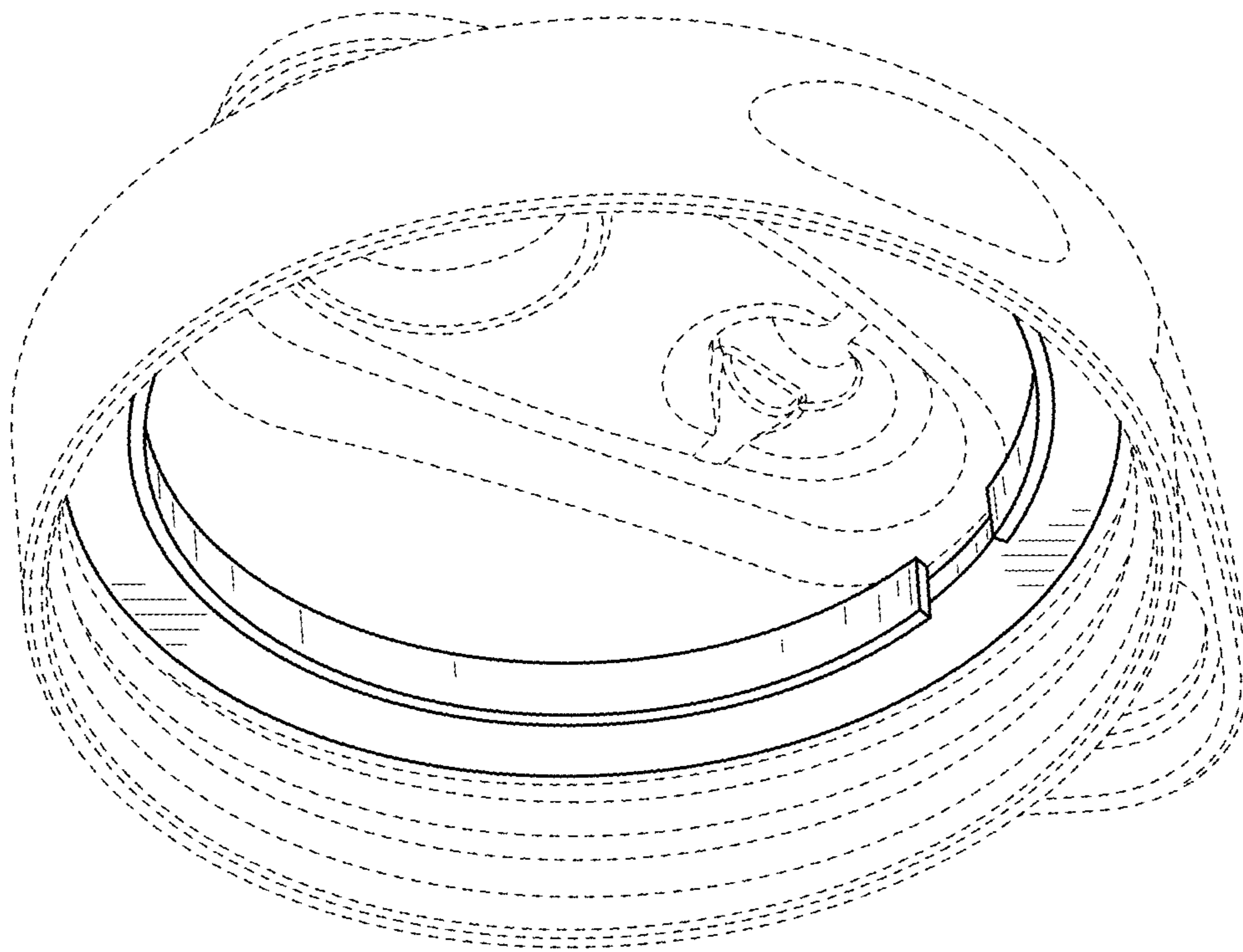


FIG. 1

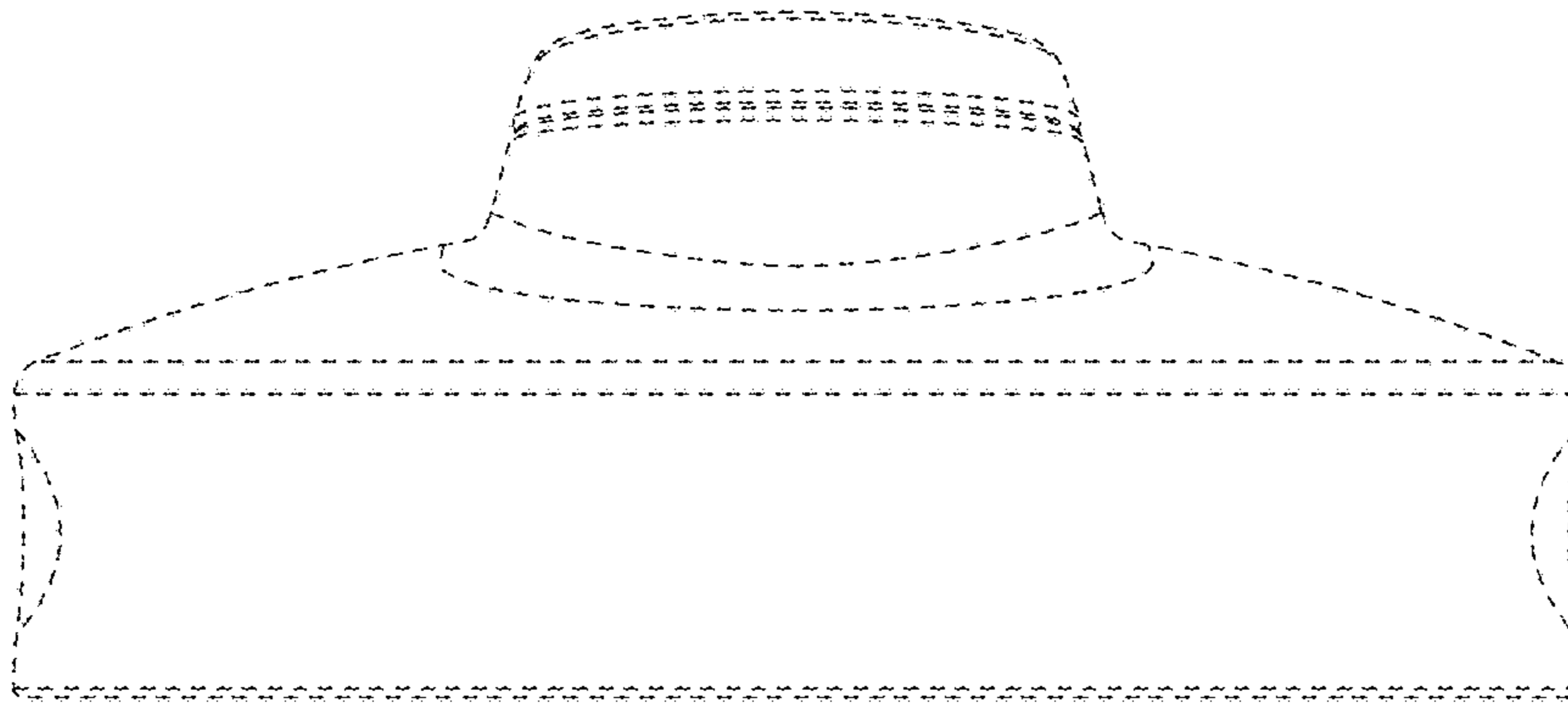


FIG. 2

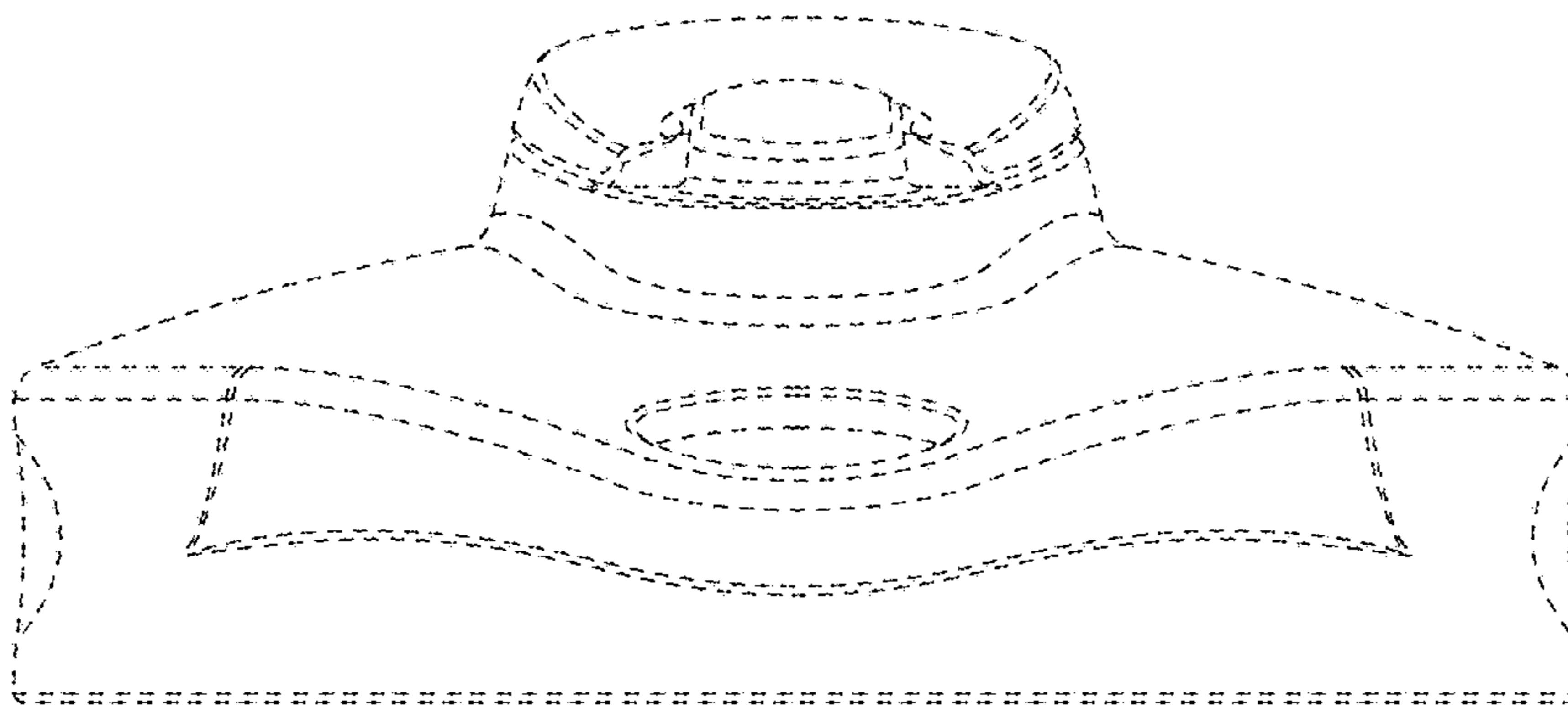


FIG. 3

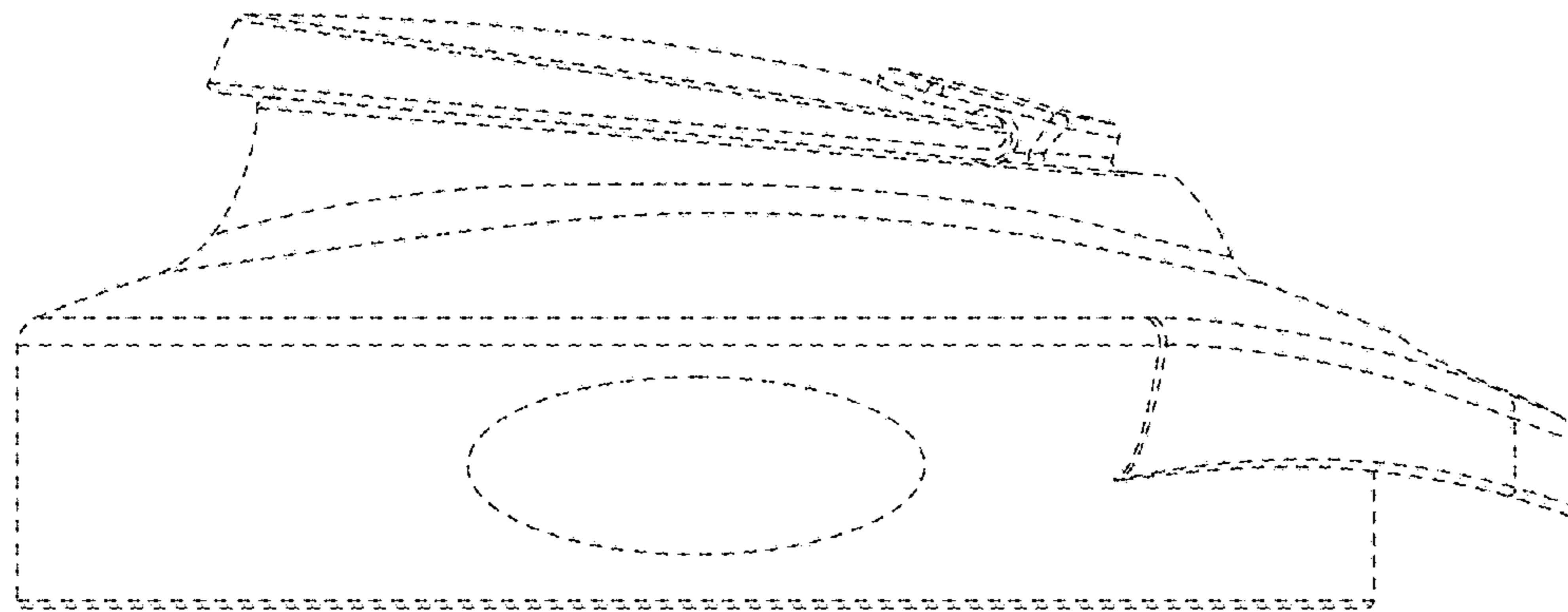


FIG. 4

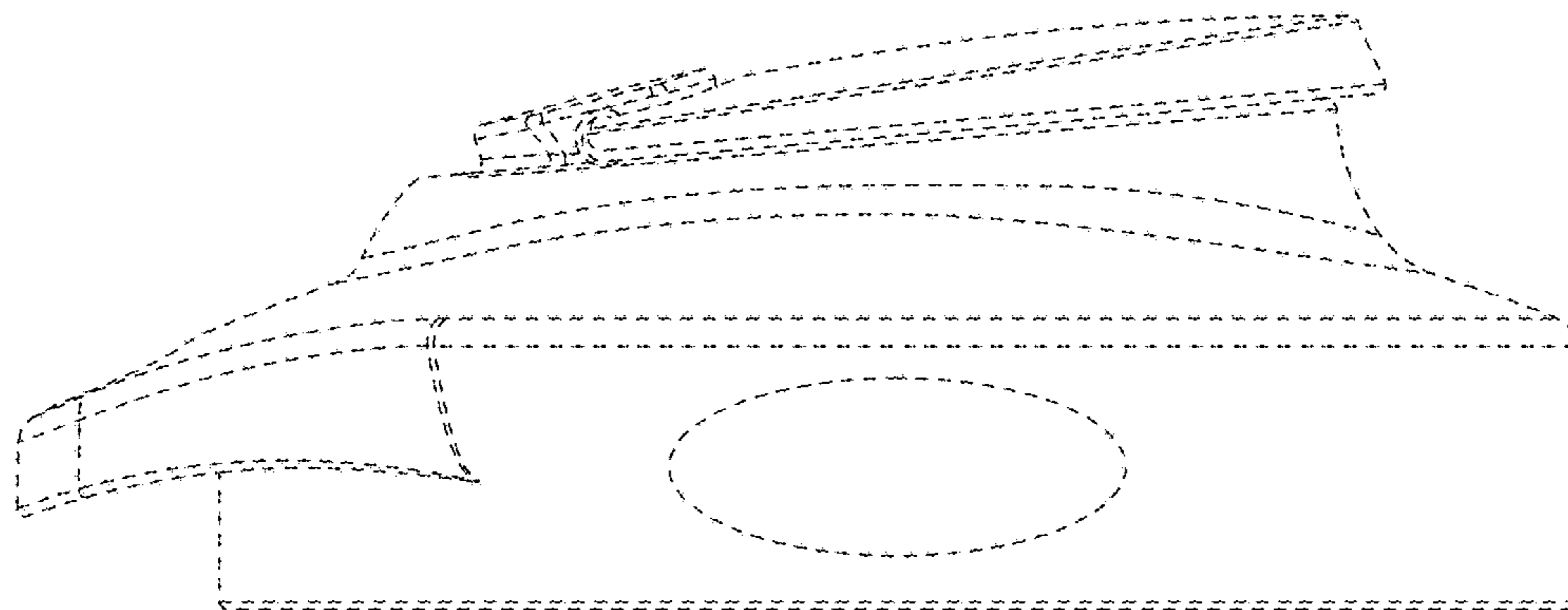


FIG. 5

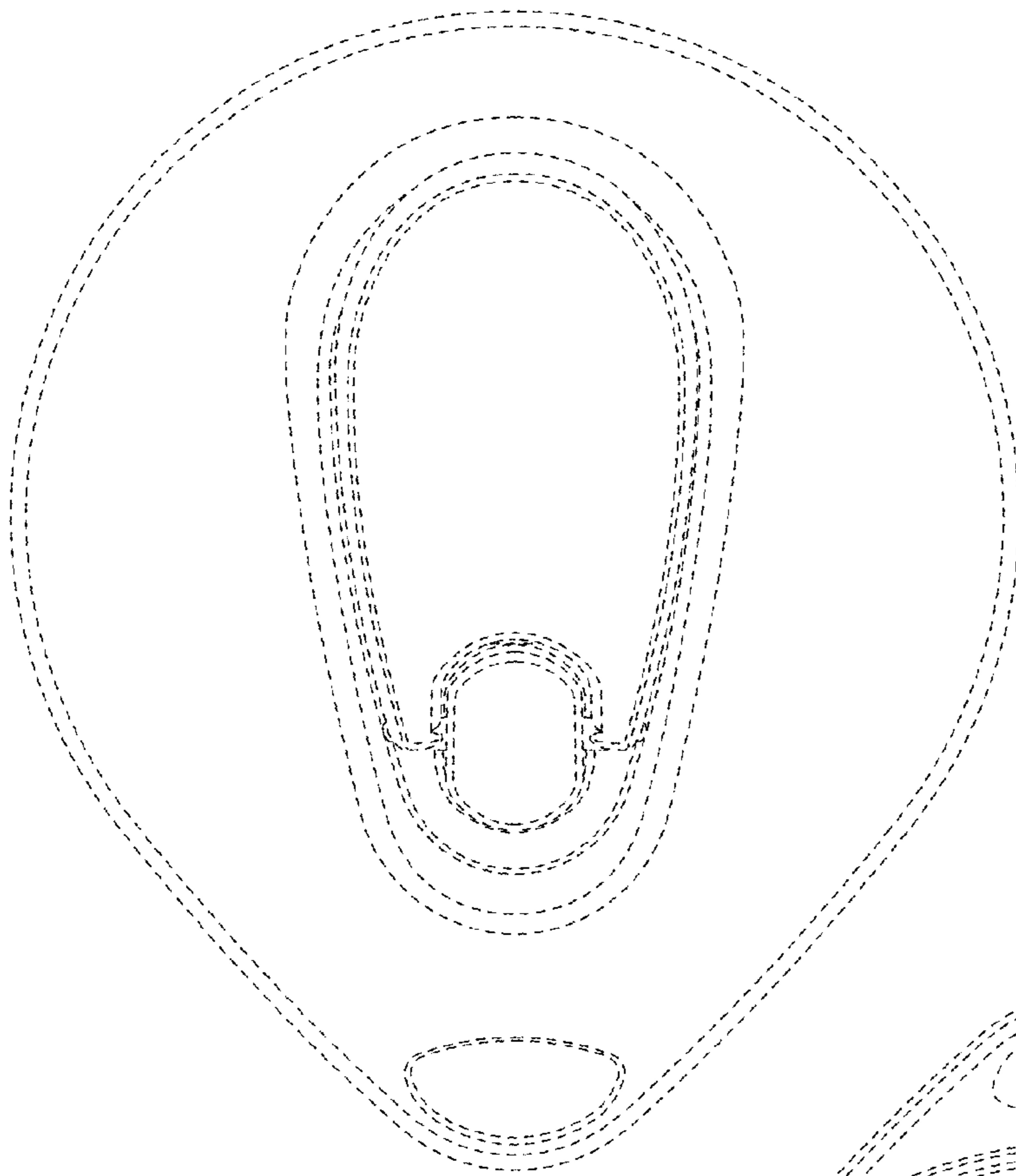


FIG. 6

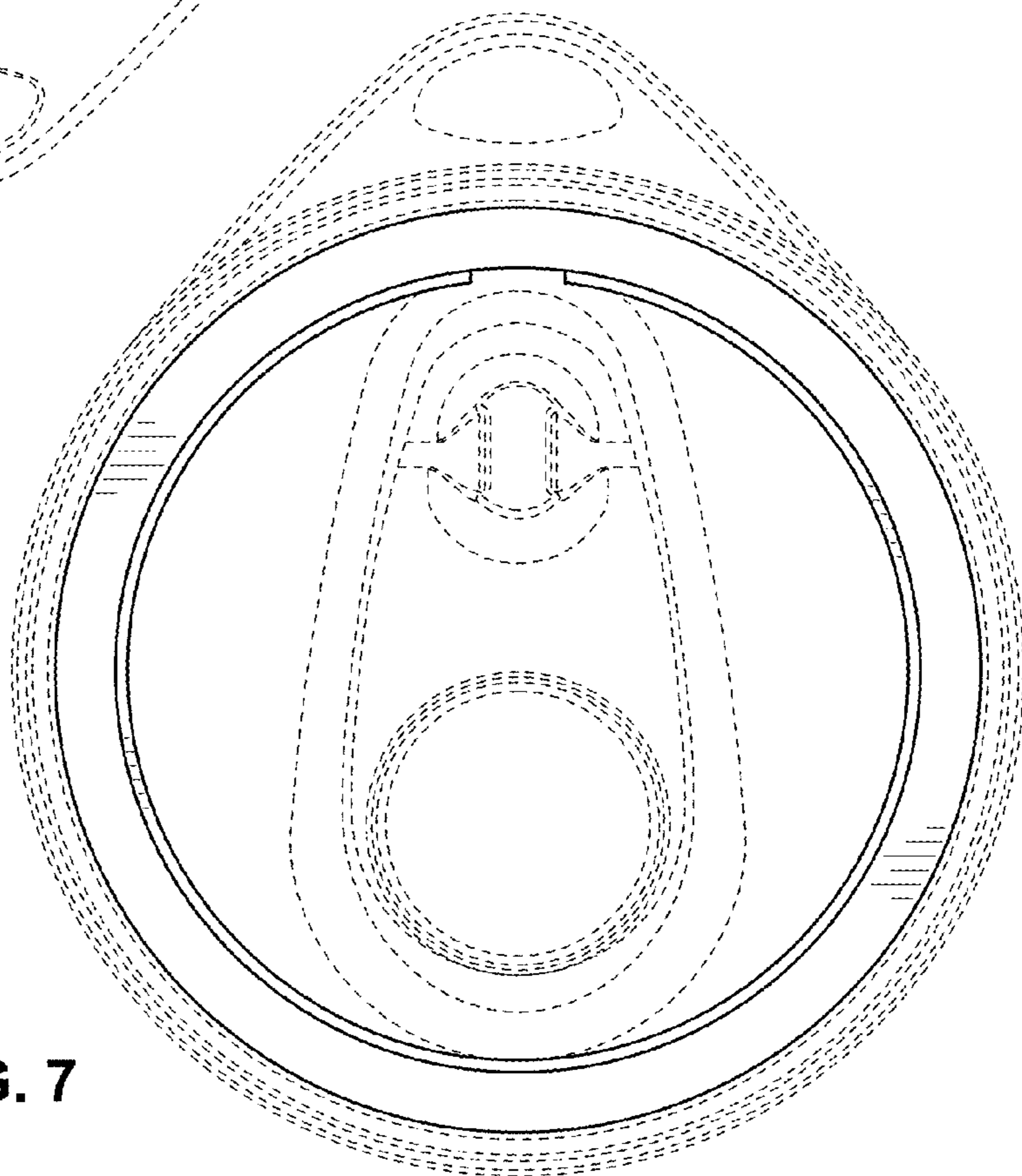


FIG. 7

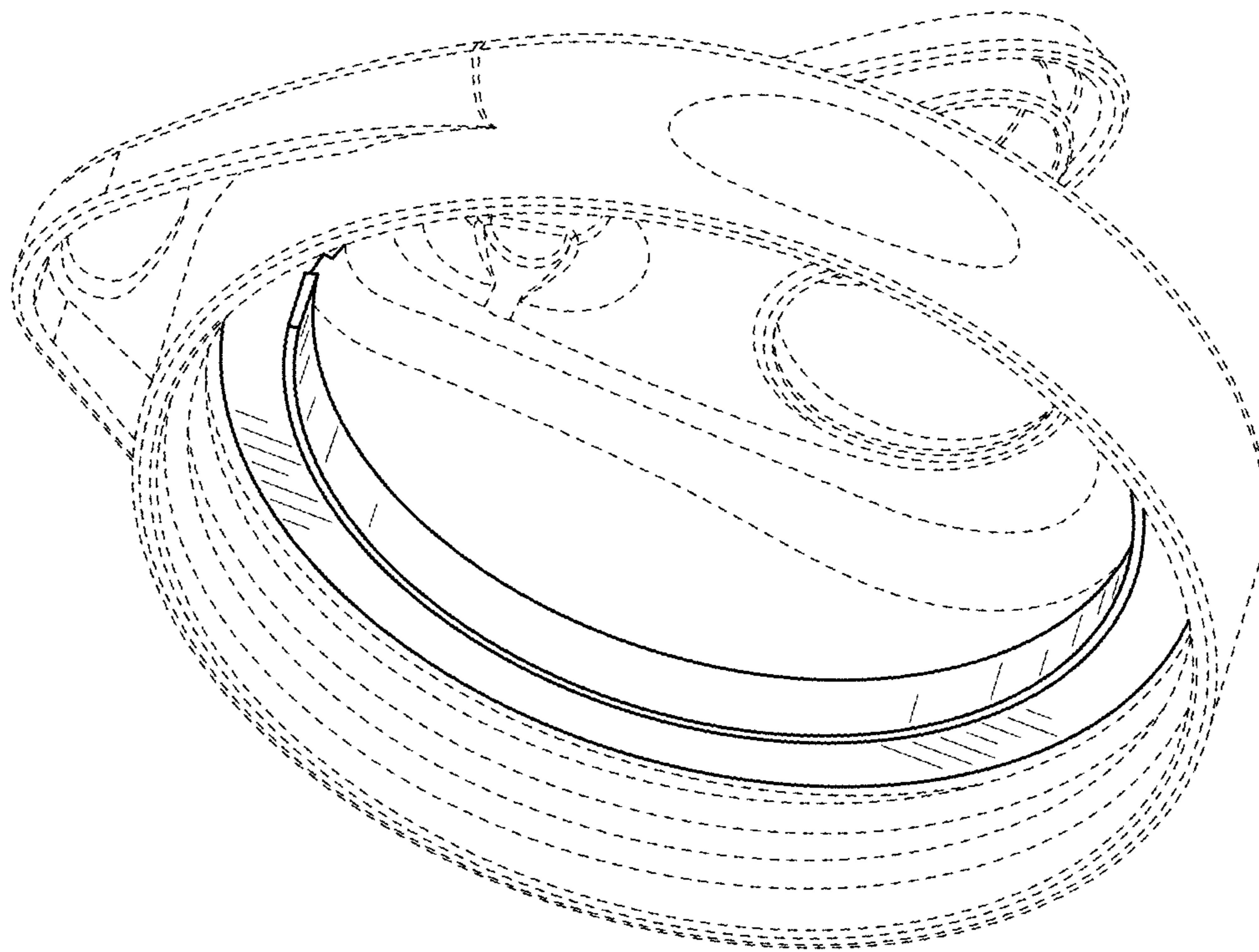


FIG. 8