



US00D893241S

(12) **United States Design Patent**
Hua

(10) **Patent No.:** **US D893,241 S**
(45) **Date of Patent:** **** Aug. 18, 2020**

- (54) **PASTA MAKER** 5,324,185 A * 6/1994 Backus A21C 1/06
425/209
- (71) Applicant: **KONINKLIJKE PHILIPS N.V.**, 5,460,506 A * 10/1995 Price, IV A21C 1/06
Eindhoven (NL) 366/158.1
- (72) Inventor: **Hao Hua**, Eindhoven (NL) D376,725 S * 12/1996 Kang D7/368
5,770,239 A * 6/1998 Ancona A21C 11/22
366/309
- (73) Assignee: **KONINKLIJKE PHILIPS N.V.**, D551,493 S * 9/2007 Marcato D7/368
Eindhoven (NL) 2003/0150337 A1 * 8/2003 Ancona A21C 11/22
99/353

(**) Term: **15 Years** * cited by examiner

(21) Appl. No.: **29/672,077** *Primary Examiner* — Terry A Wallace

(22) Filed: **Dec. 3, 2018**

(30) **Foreign Application Priority Data**

Jun. 14, 2018 (EM) 005310000-0001

(51) **LOC (12) Cl.** **31-00**

(52) **U.S. Cl.**
USPC **D7/368; D7/376**

(58) **Field of Classification Search**
USPC D7/368, 665–668, 369–386
CPC A21C 1/06; A21C 1/144; A21C 11/16;
A21C 11/22; A21C 11/20
See application file for complete search history.

(56) **References Cited**

U.S. PATENT DOCUMENTS

- D265,715 S * 8/1982 Osrow D7/376
- D325,852 S * 5/1992 Giannelli D7/368

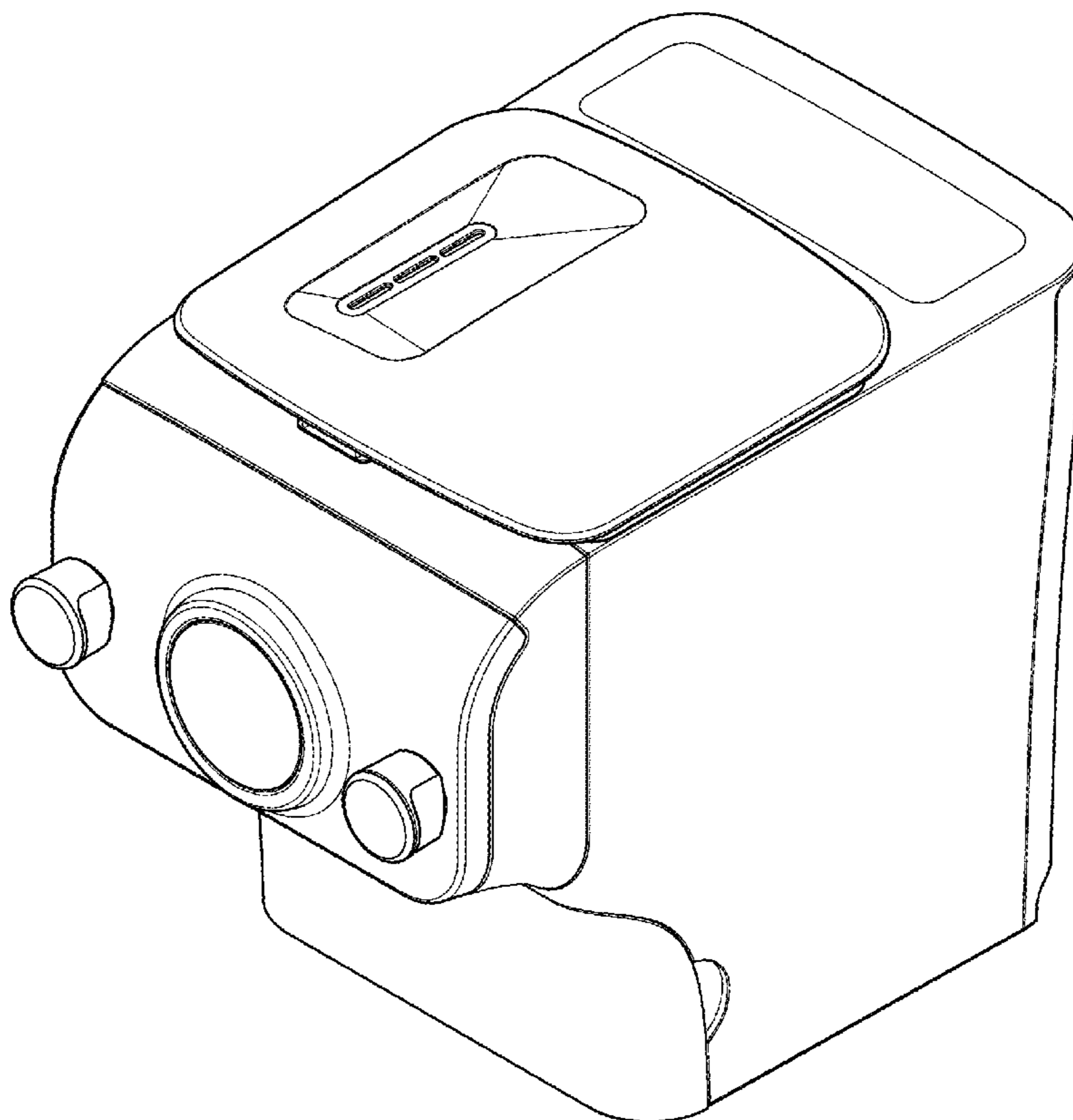
(57) **CLAIM**

The ornamental design for a pasta maker, as shown.

DESCRIPTION

FIG. 1 is a perspective view showing my design;
FIG. 2 is a front elevational view thereof;
FIG. 3 is a rear elevational view thereof;
FIG. 4 is a right side elevational view thereof;
FIG. 5 is a left side elevational view thereof;
FIG. 6 is a top plan view thereof; and,
FIG. 7 is a bottom plan view thereof.

1 Claim, 7 Drawing Sheets



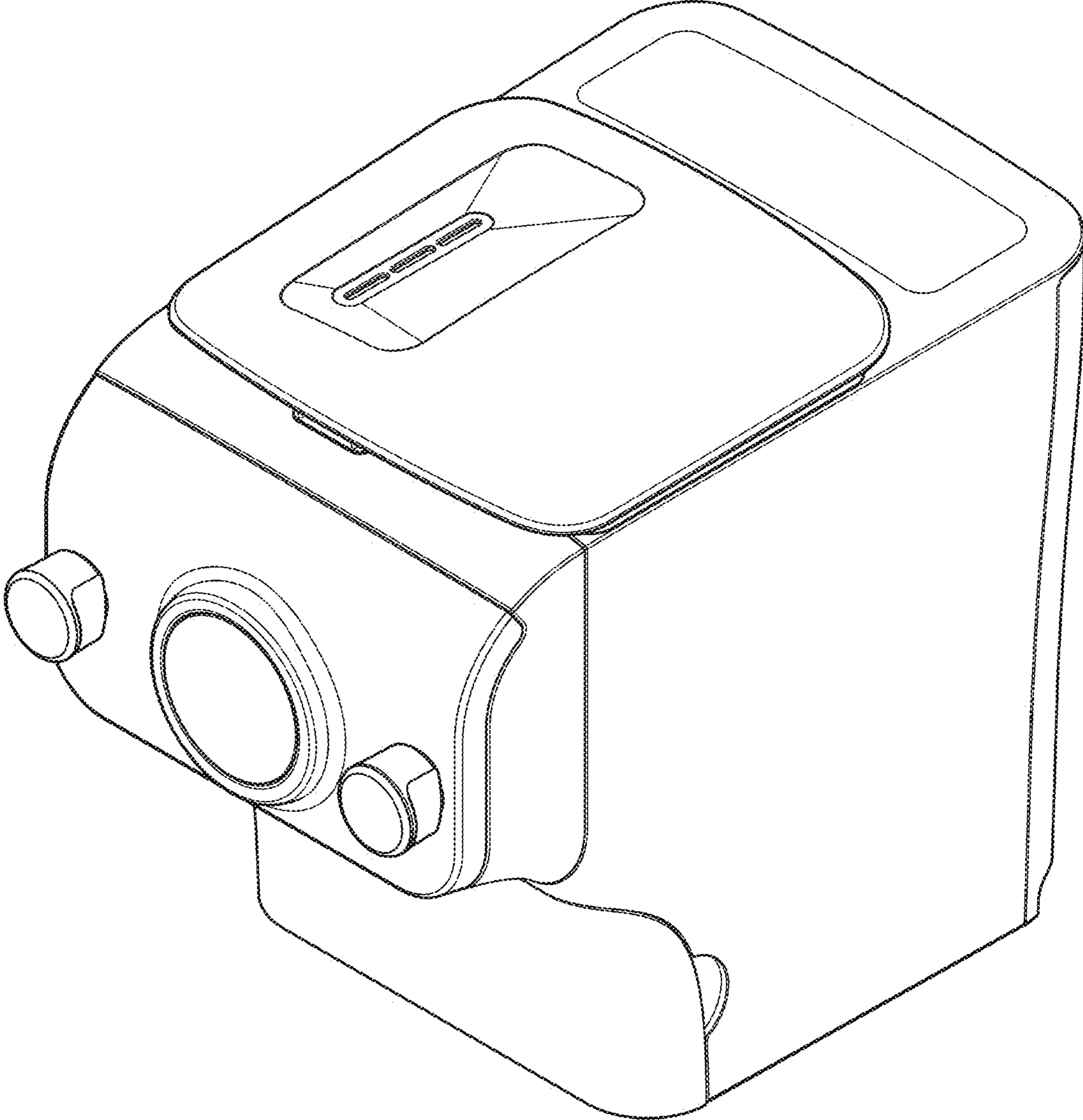


FIG. 1

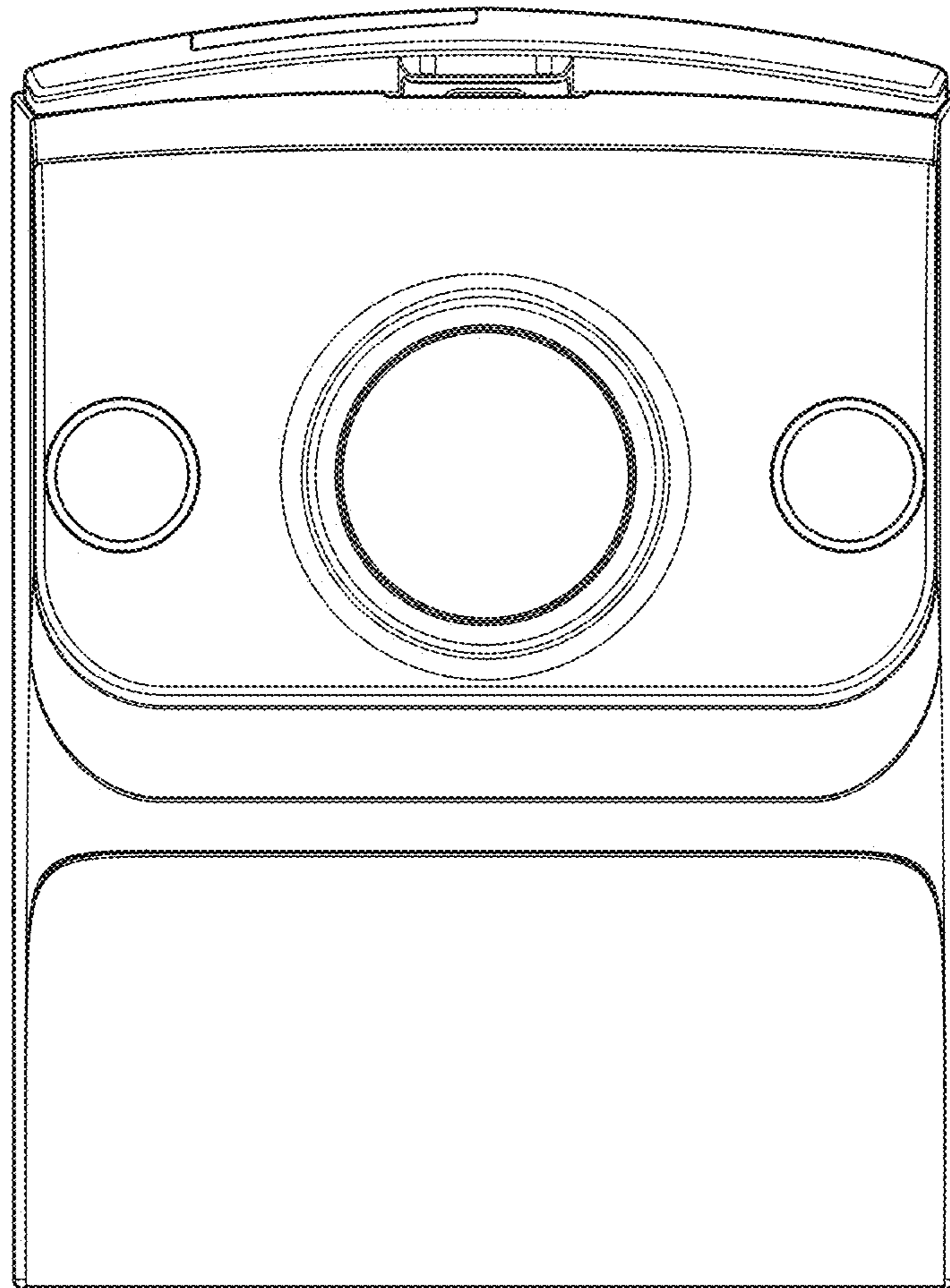


FIG. 2

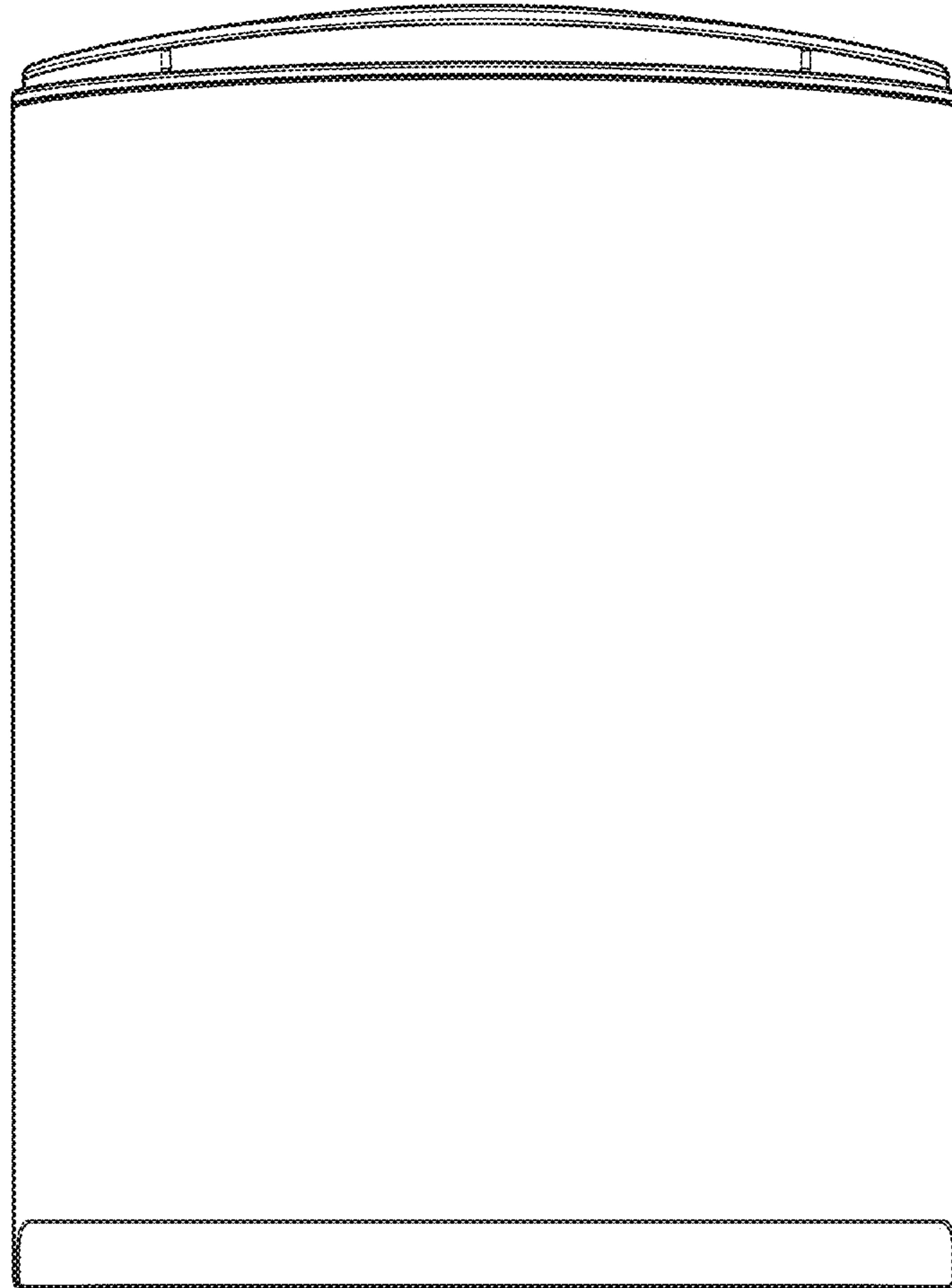


FIG. 3

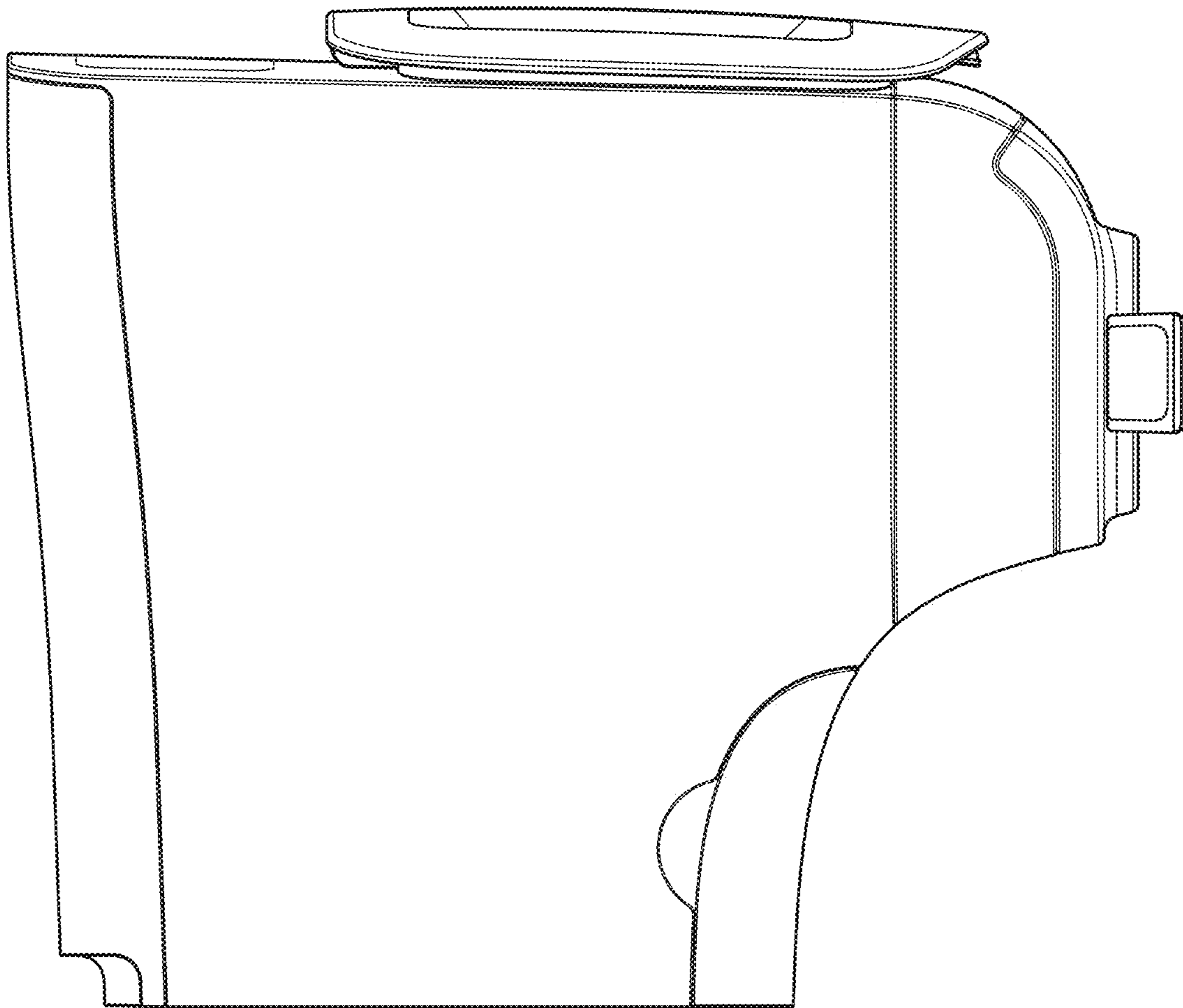


FIG. 4

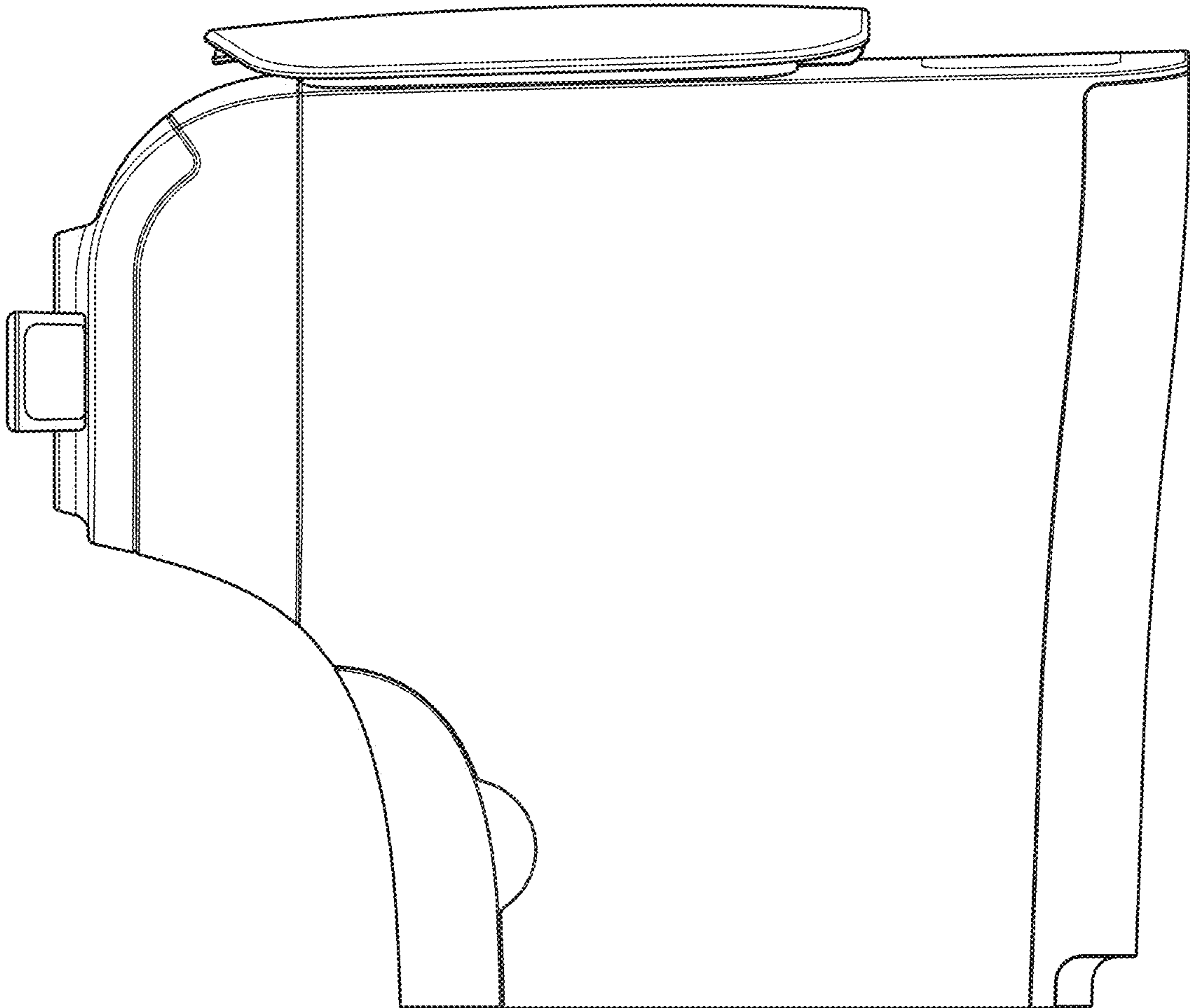


FIG. 5

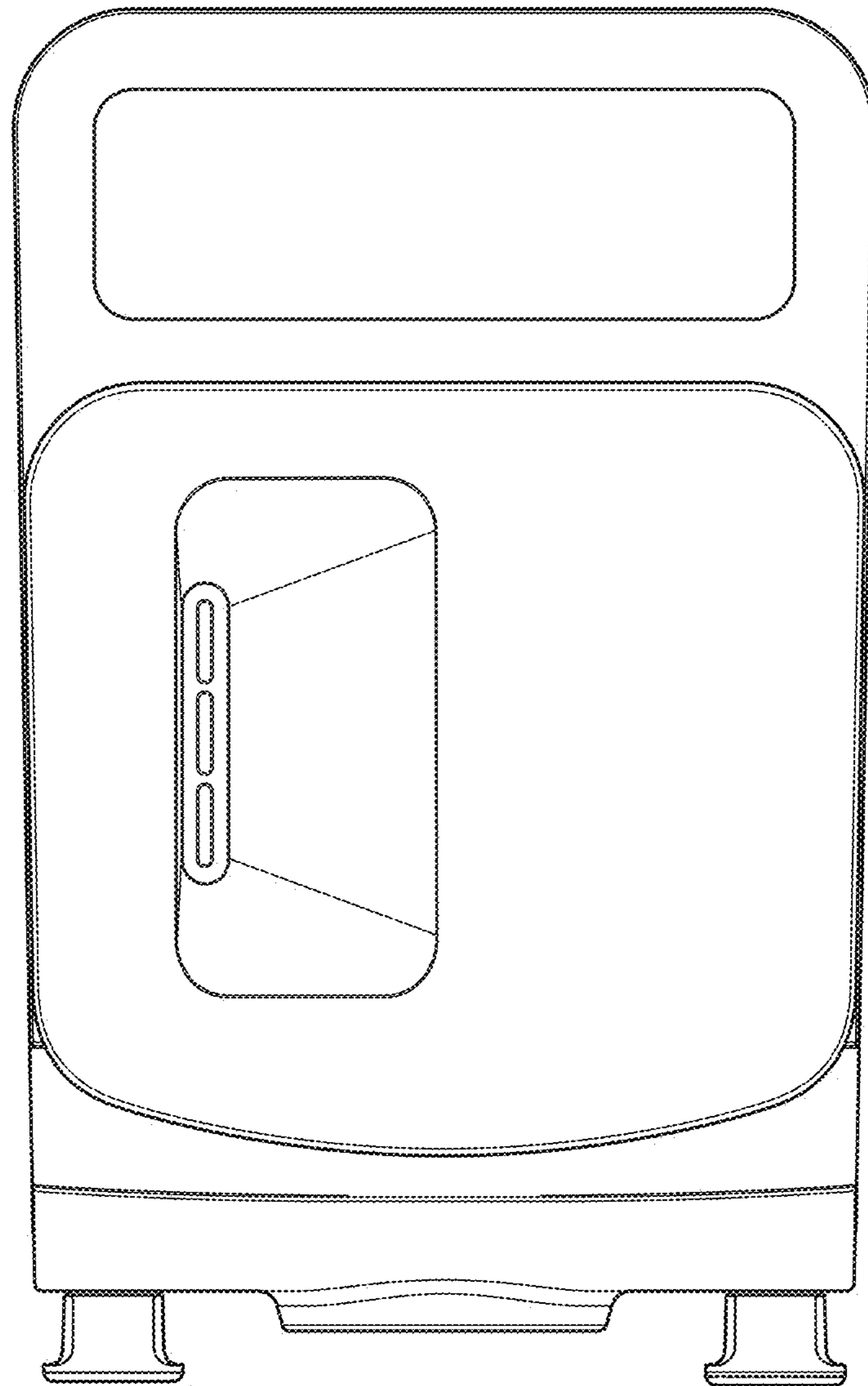


FIG. 6

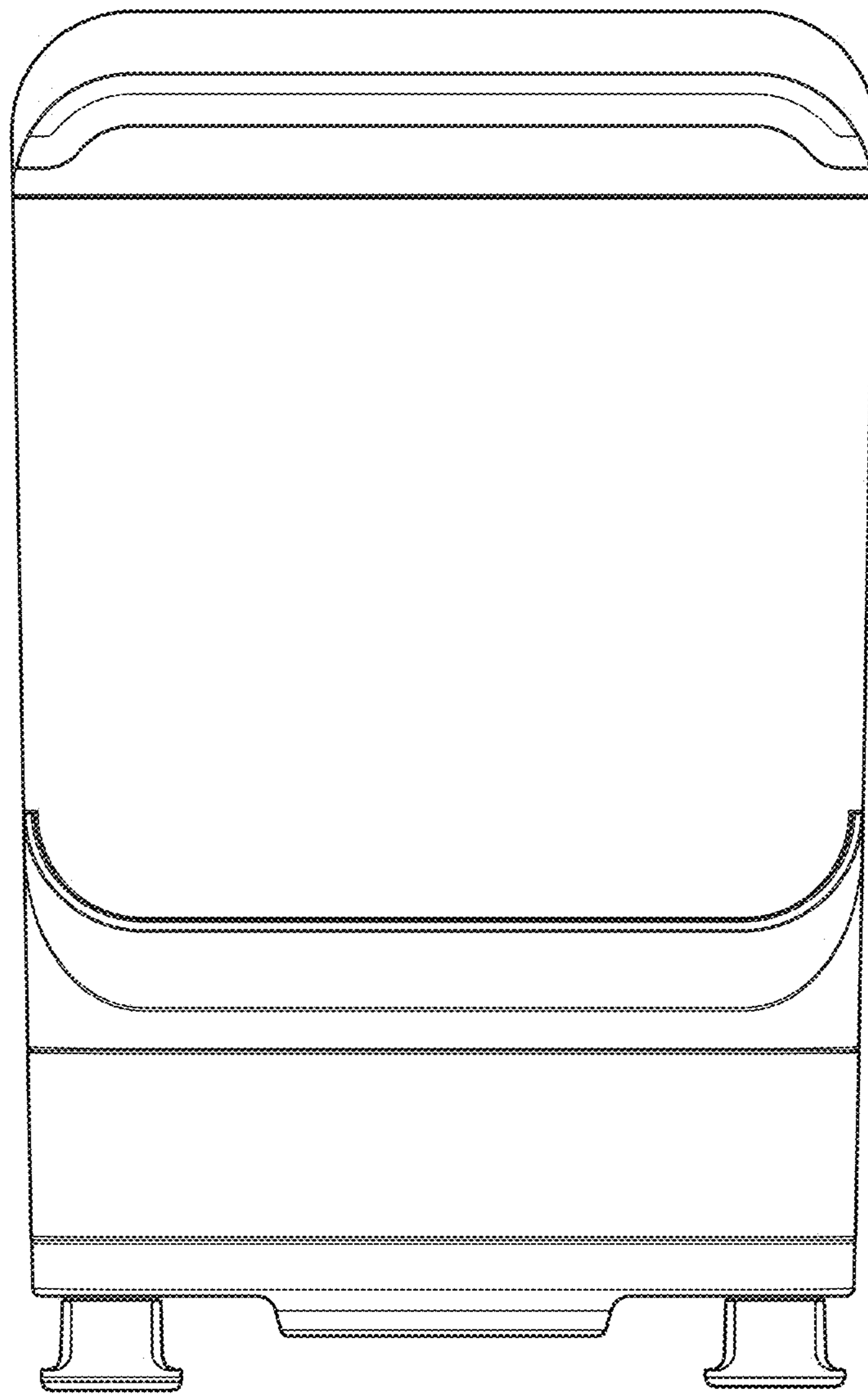


FIG. 7