

US00D893240S

(12) **United States Design Patent** (10) **Patent No.:** **US D893,240 S**
Narabu et al. (45) **Date of Patent:** **** Aug. 18, 2020**

(54) **DOUGH FORMING MACHINE**

OTHER PUBLICATIONS

(71) Applicant: **RHEON AUTOMATIC MACHINERY CO., LTD.**,
Utsunomiya-shi (JP)

Rheon Automatic Machinery Co. Ltd., "VX212", catalogue, available as early as Sep. 4, 2018.

(72) Inventors: **Mikio Narabu**, Kanuma (JP); **Atsuo Nakayama**, Utsunomiya (JP)

Rondo, "Cut & Check", website, <<https://www.rondo-online.com/en/machines/bread-and-rolls-equipment>>, available as early as Sep. 4, 2018.

Rondo, "Cut & Check", catalogue, available as early as Sep. 4, 2018.

(73) Assignee: **RHEON AUTOMATIC MACHINERY CO., LTD.** (JP)

* cited by examiner

(**) Term: **15 Years**

Primary Examiner — Terry A Wallace

(74) *Attorney, Agent, or Firm* — Saidman DesignLaw Group, LLC

(21) Appl. No.: **29/662,378**

(57) **CLAIM**

The ornamental design for a dough forming machine, as shown and described.

(22) Filed: **Sep. 5, 2018**

(30) **Foreign Application Priority Data**

DESCRIPTION

May 31, 2018 (JP) 2018-011931

(51) **LOC (12) Cl.** **31-00**

(52) **U.S. Cl.**
USPC **D7/368**

(58) **Field of Classification Search**
USPC D7/368, 376, 381; D15/199
CPC A21C 3/27; A21C 3/02; A21C 5/02; A21C 7/01; A21C 11/08; A21C 9/08
See application file for complete search history.

FIG. 1 is a perspective view of a dough forming machine showing our new design;

FIG. 2 is a front view thereof;

FIG. 3 is a rear view thereof;

FIG. 4 is a left side view thereof;

FIG. 5 is a right side view thereof;

FIG. 6 is a top view thereof;

FIG. 7 is a perspective view of a second embodiment thereof;

FIG. 8 is a front view thereof;

FIG. 9 is a rear view thereof;

FIG. 10 is a left side view thereof;

FIG. 11 is a right side view thereof; and,

FIG. 12 is a top view thereof.

The dashed broken lines illustrate structure or features which form no part of the claimed design.

The dot-dash broken lines illustrate boundaries which form no part of the claimed design.

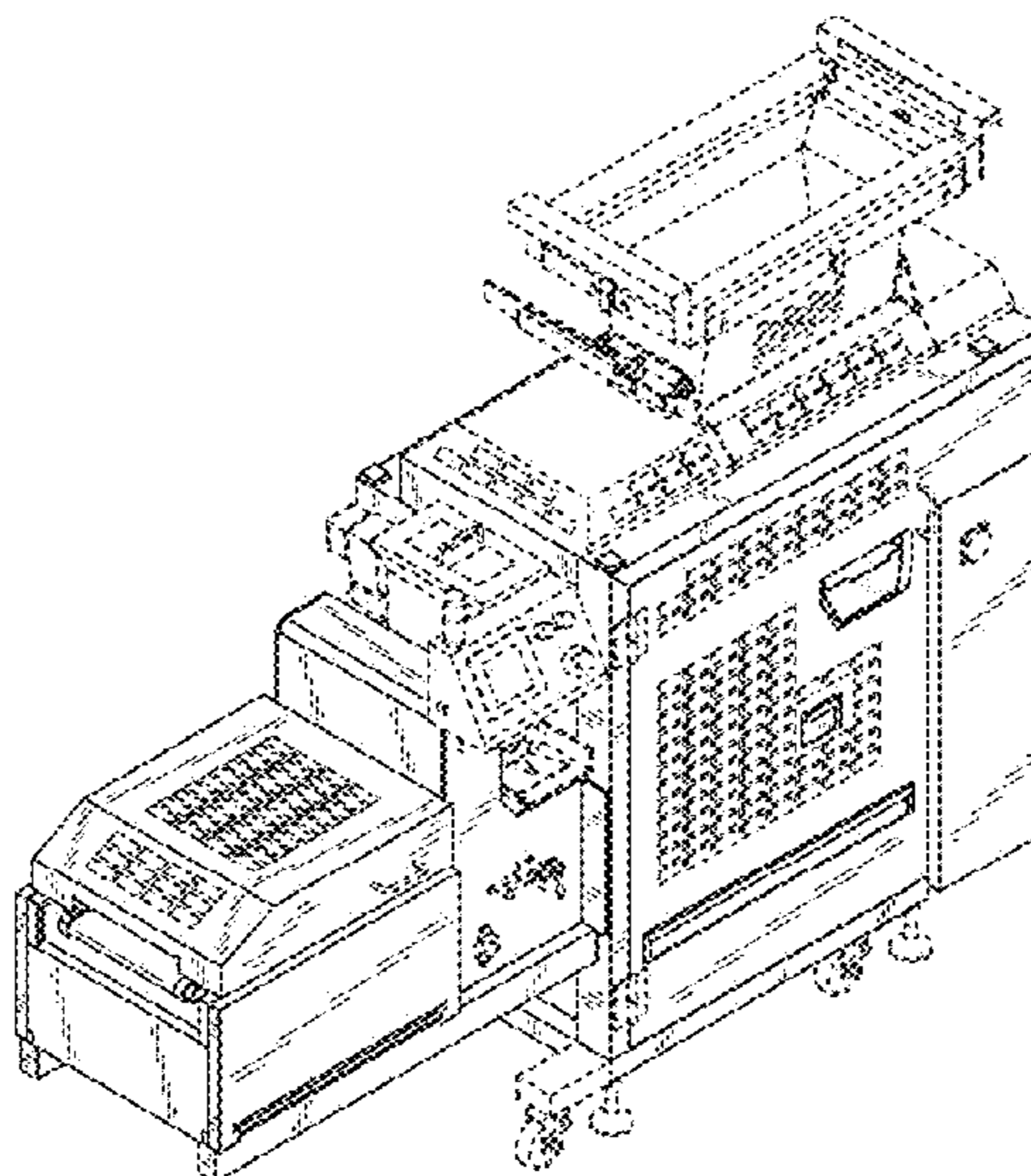
The drawings include surface shading which represents contour and not surface ornamentation.

(56) **References Cited**

U.S. PATENT DOCUMENTS

4,255,106 A * 3/1981 Anetsberger A21C 11/008
425/151
4,668,174 A * 5/1987 Williams A21C 9/08
221/94
5,783,222 A * 7/1998 Voyatzakis A21C 3/02
425/151
D612,666 S * 3/2010 Lin D7/368
D688,514 S * 8/2013 Lin D7/368

1 Claim, 12 Drawing Sheets



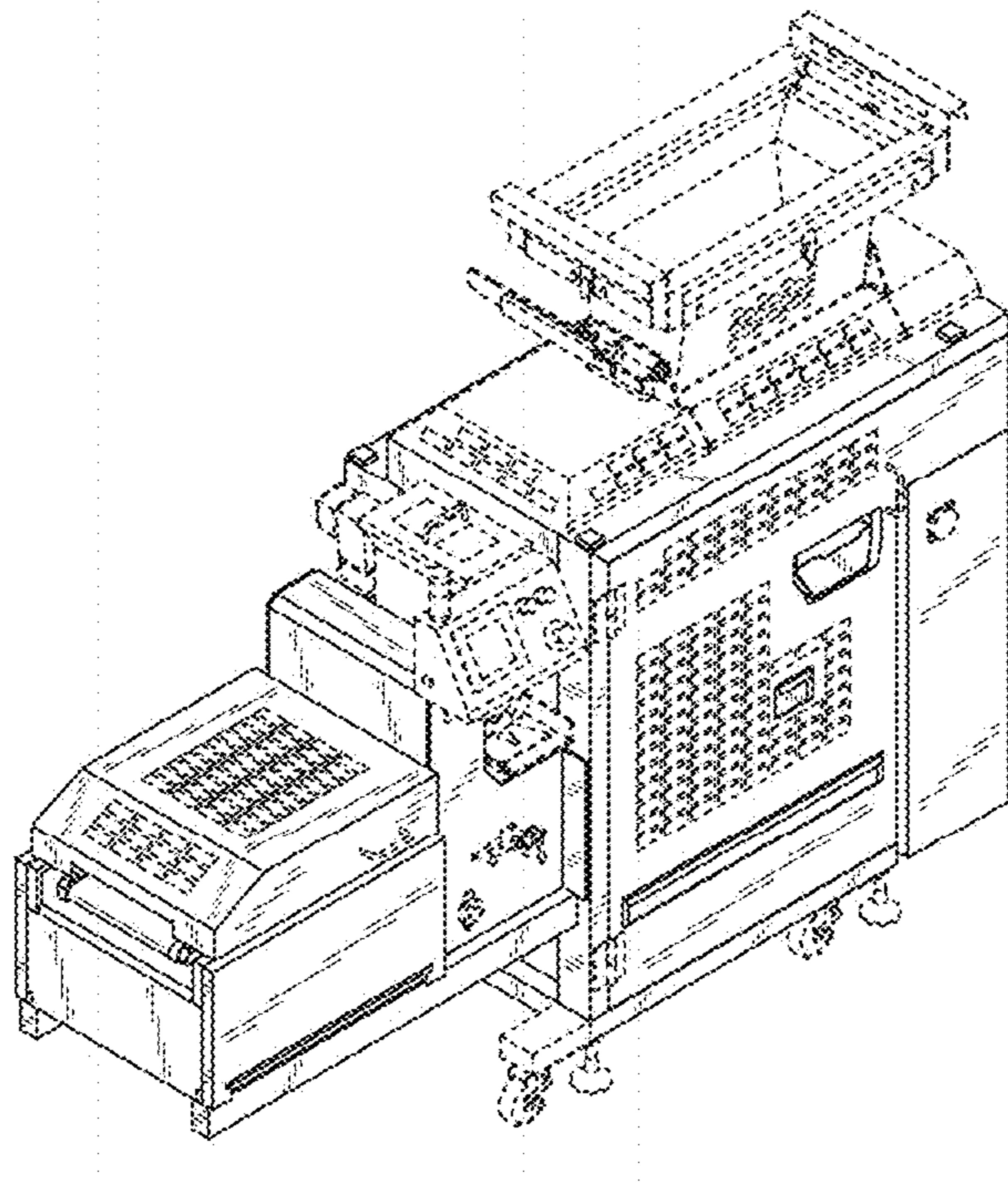


FIG. 1

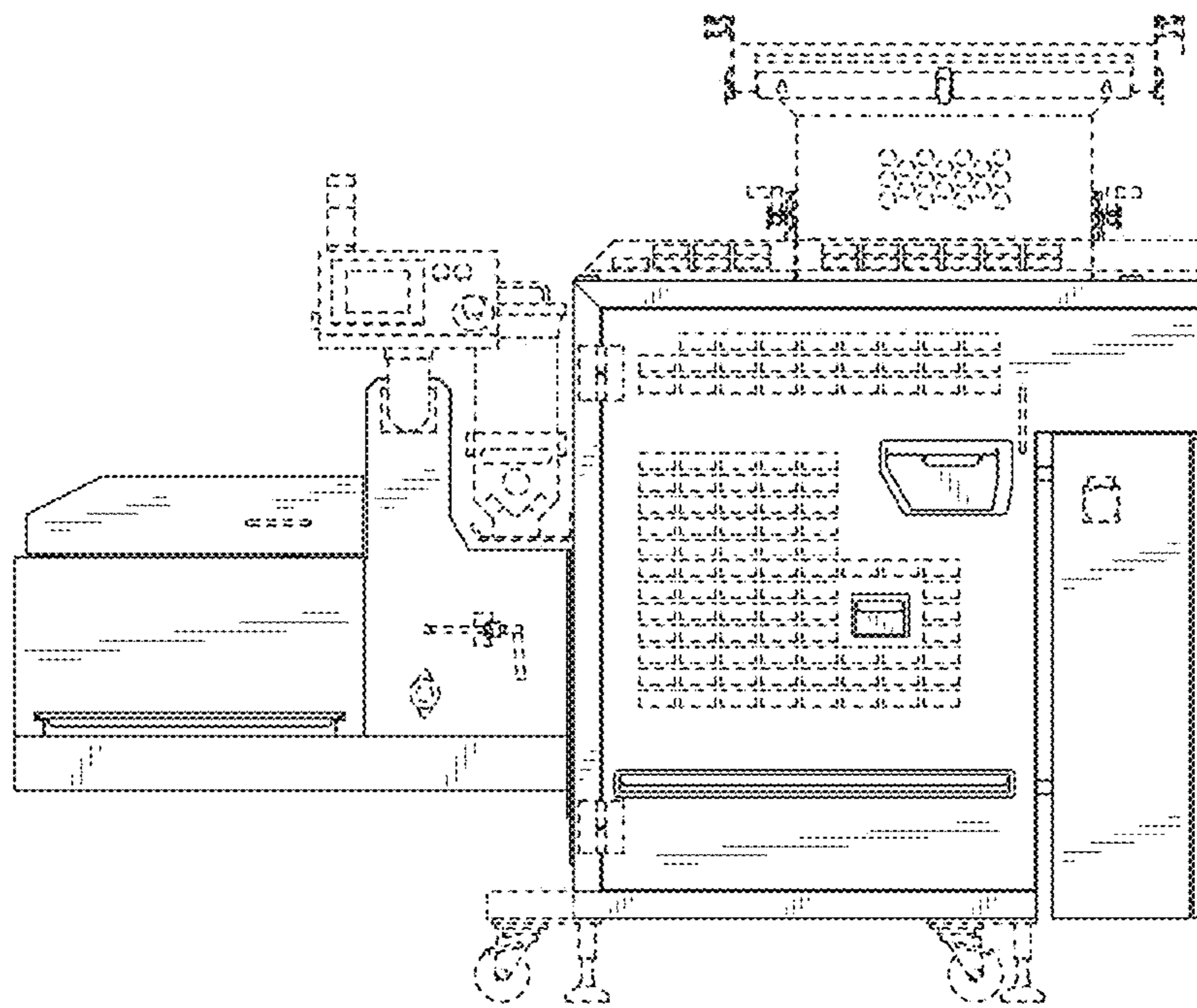


FIG. 2

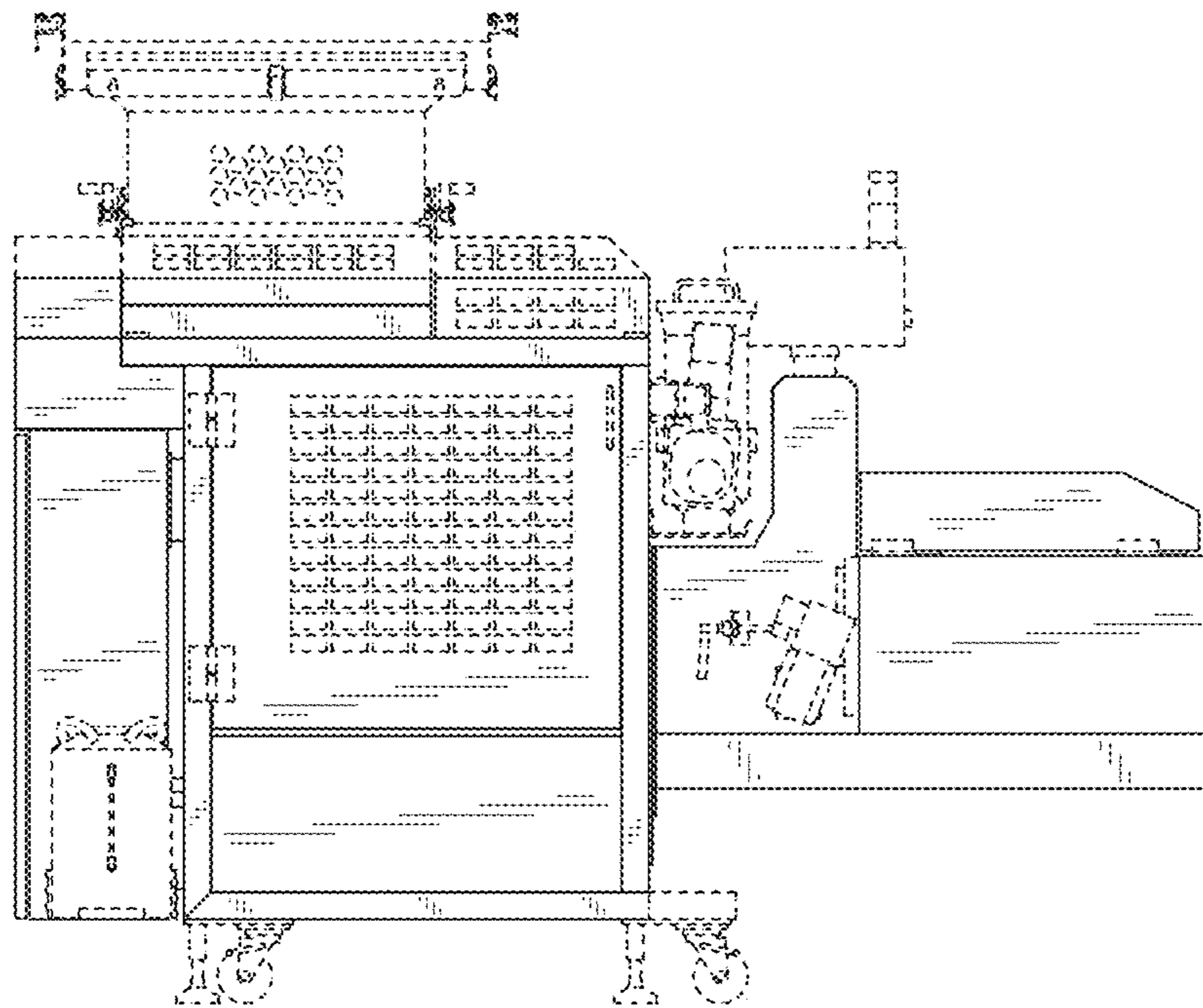


FIG. 3

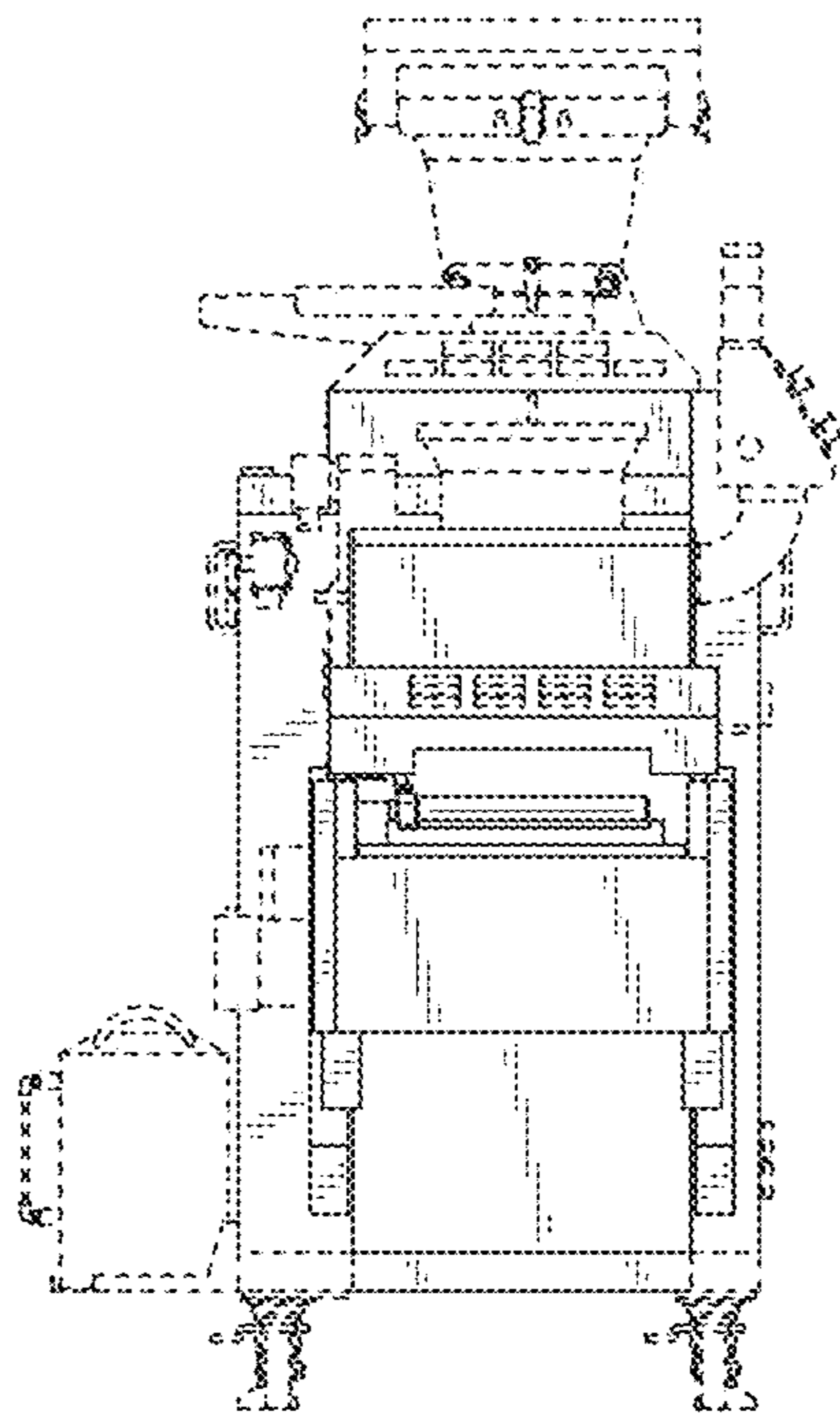


FIG. 4

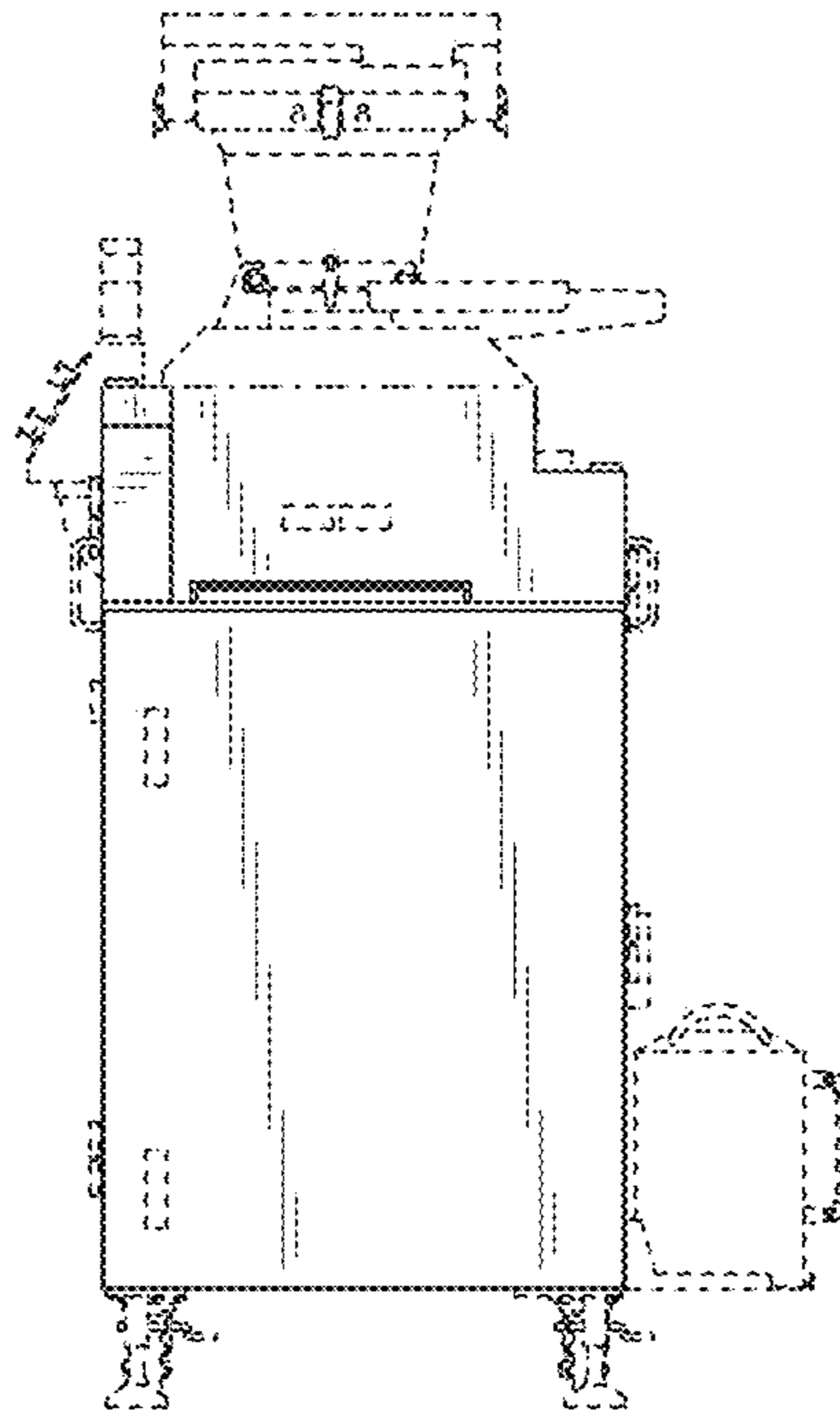


FIG. 5

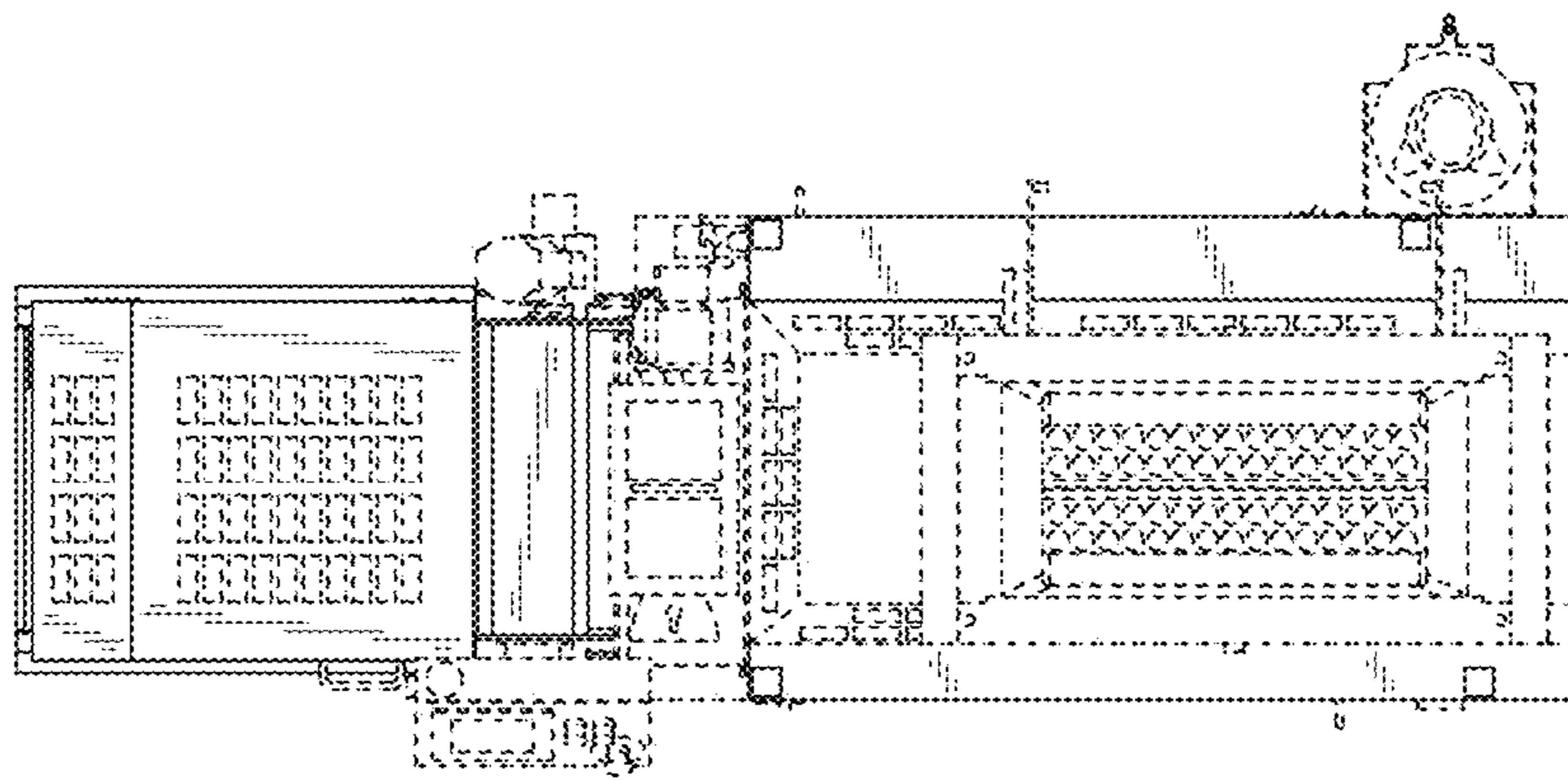


FIG. 6

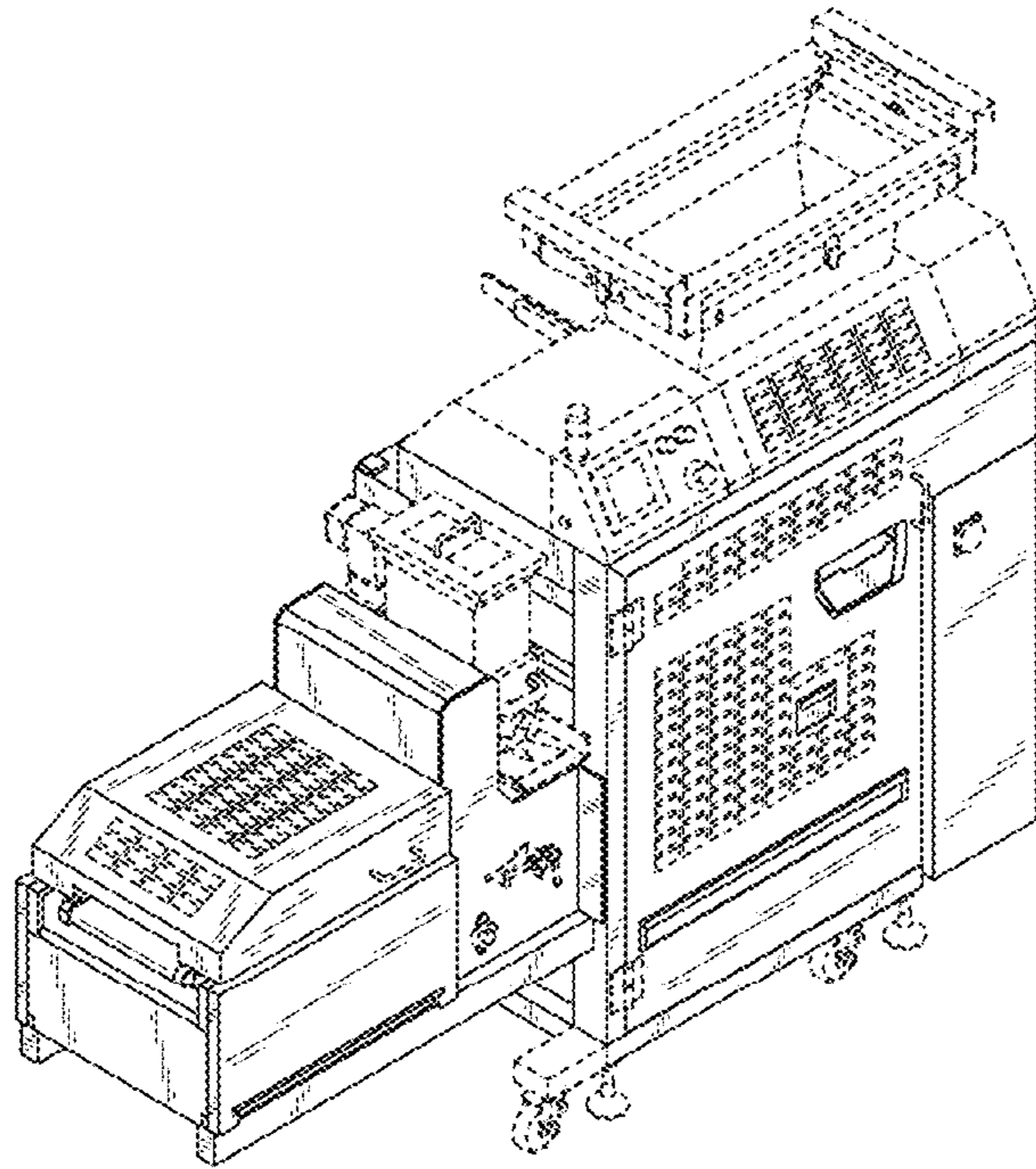


FIG. 7

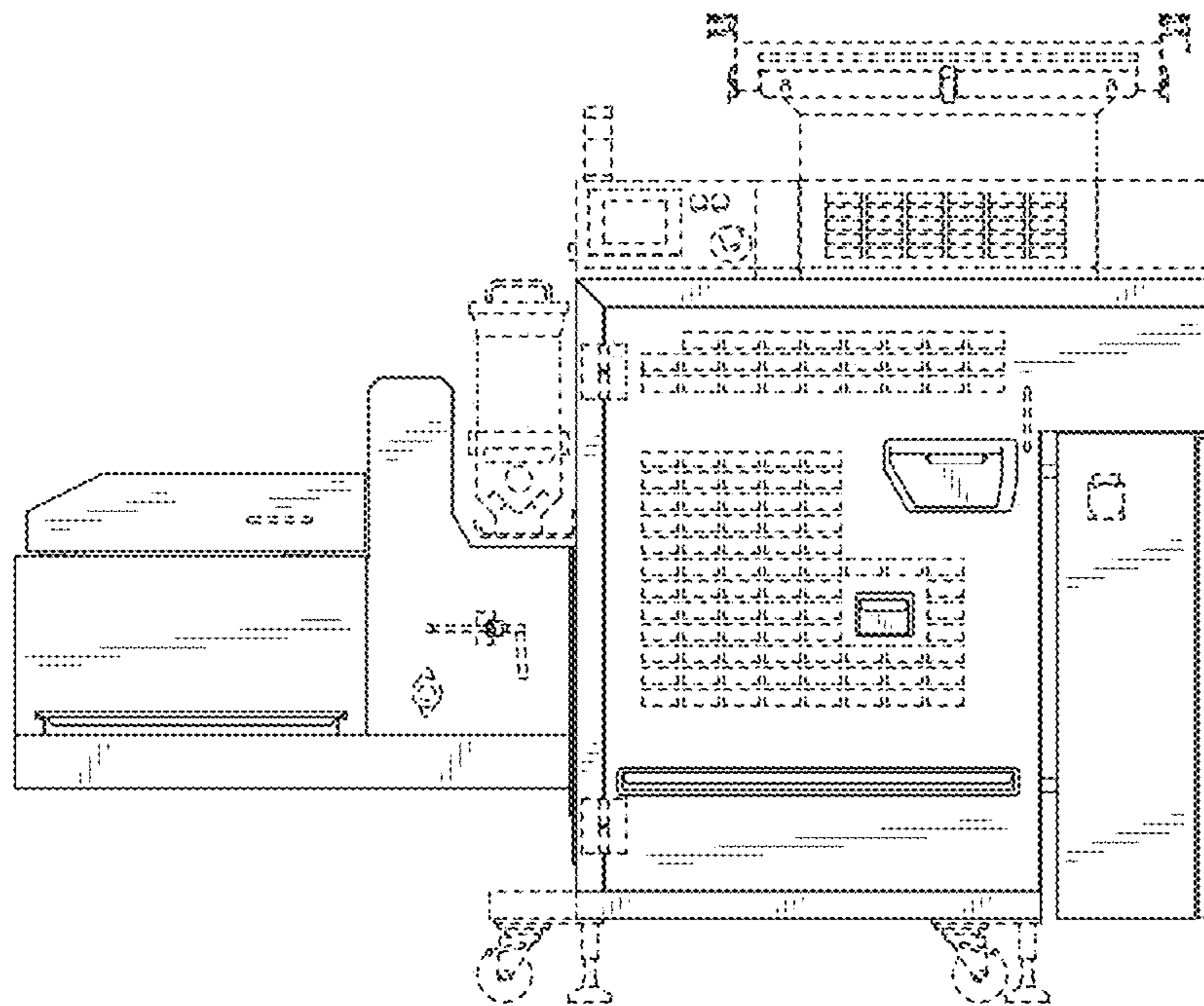


FIG. 8

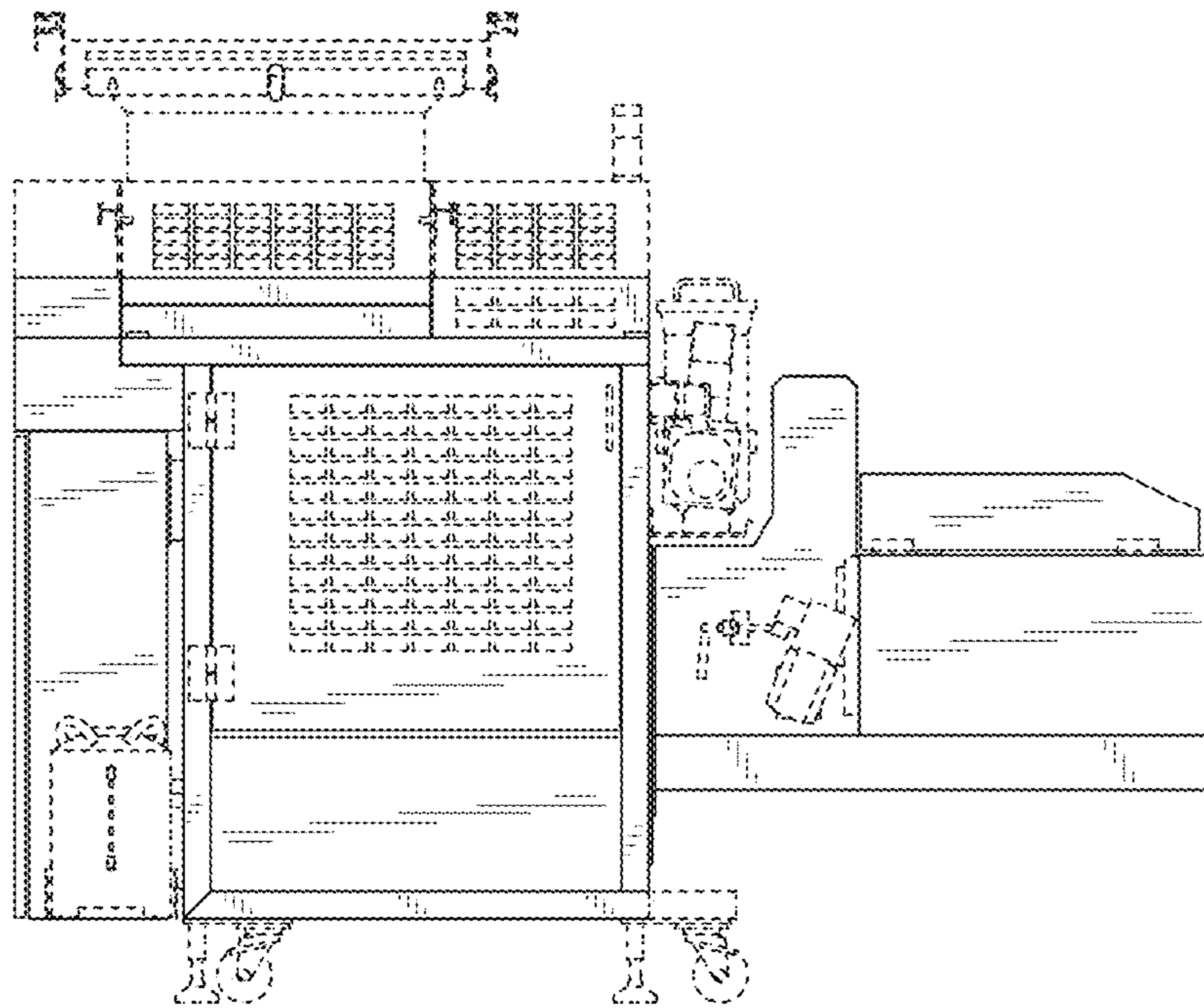


FIG. 9

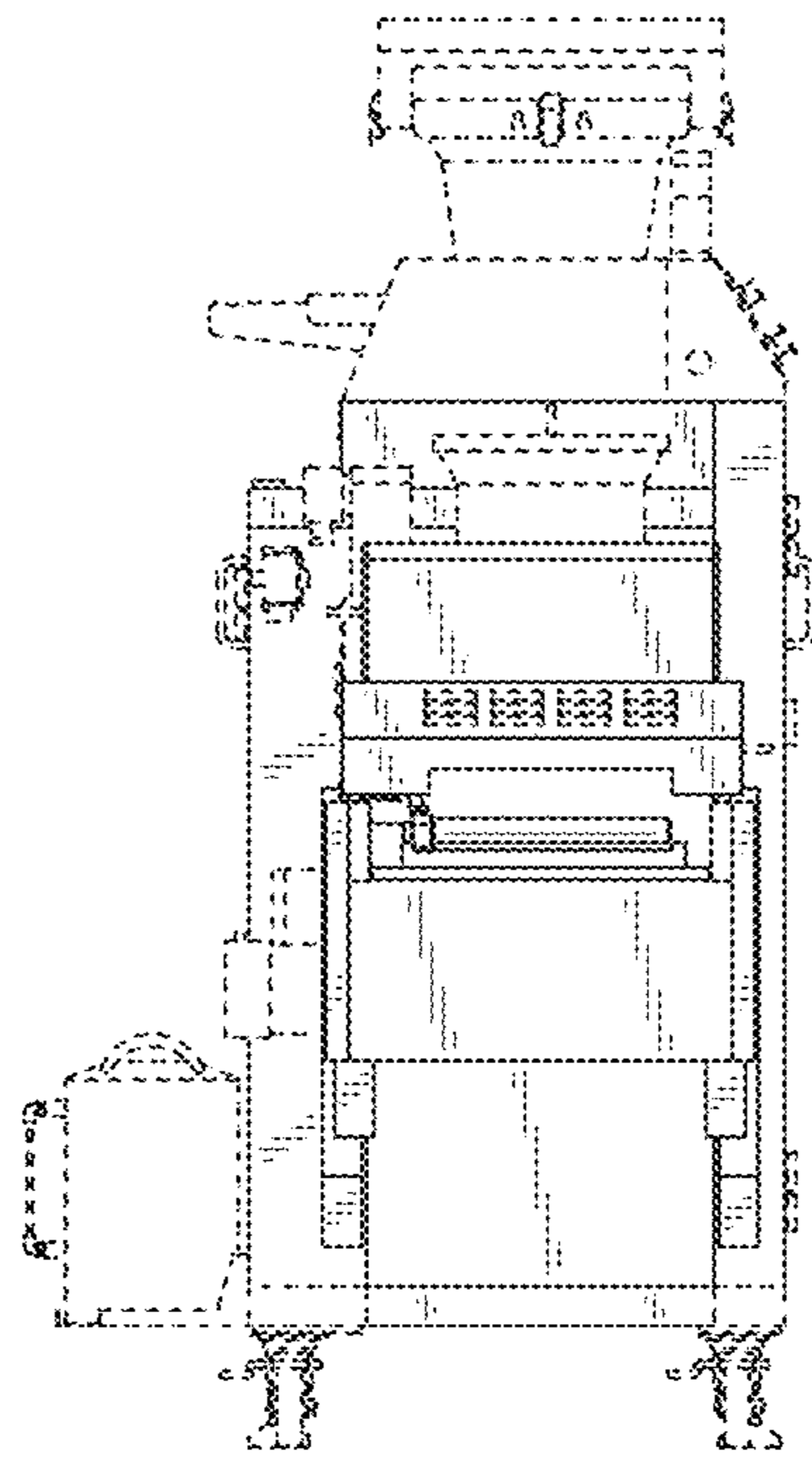


FIG. 10

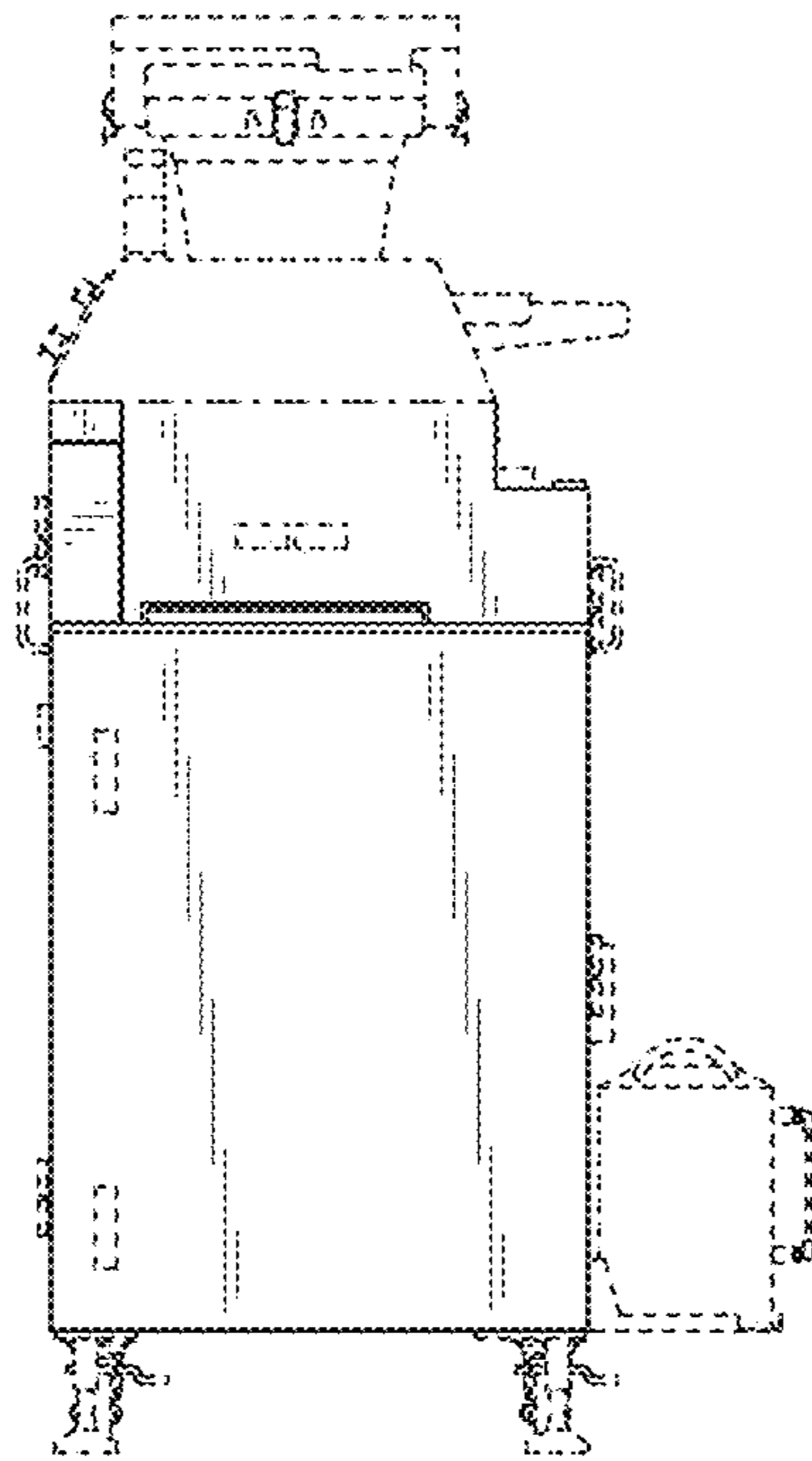


FIG. 11

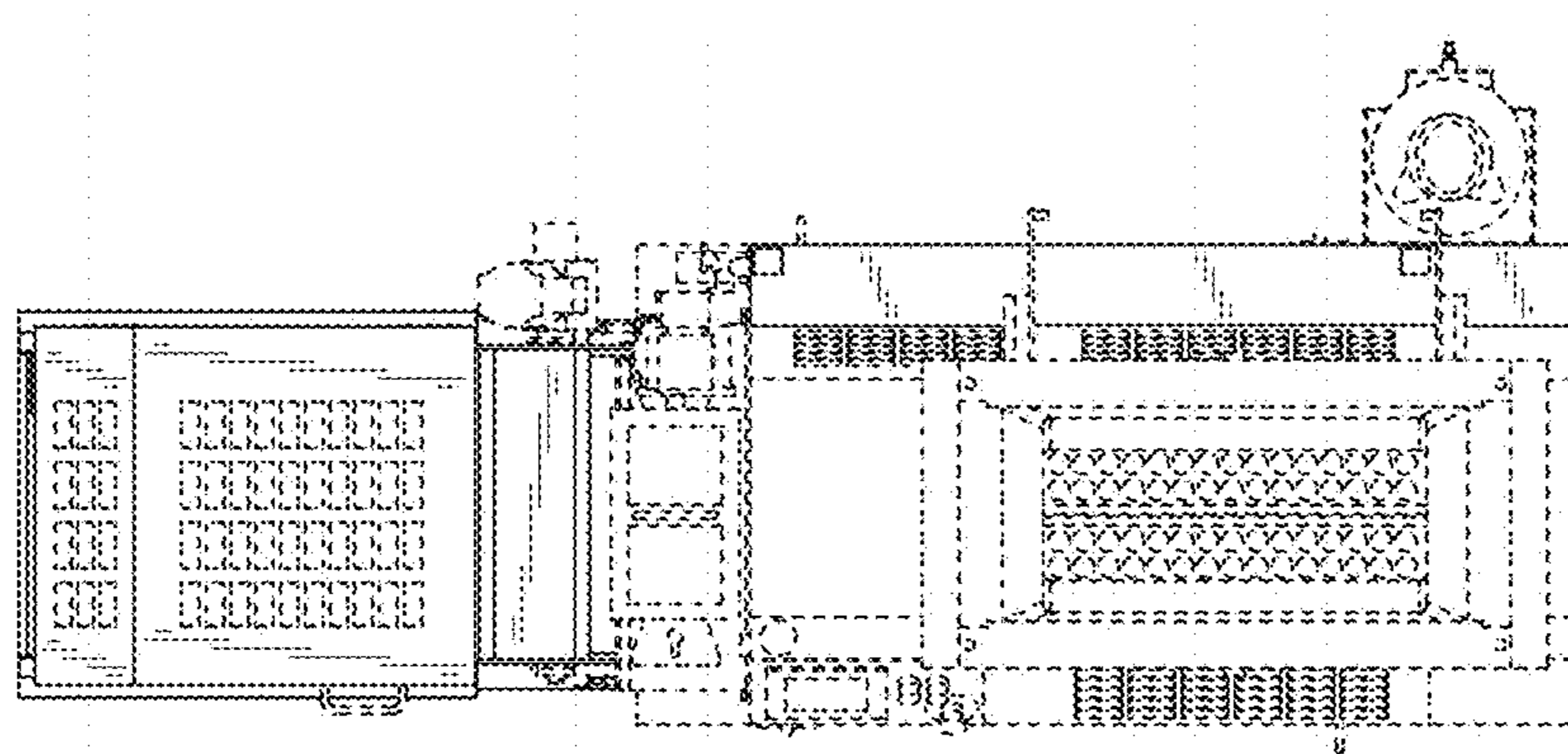


FIG. 12