



US00D893239S

(12) **United States Design Patent** (10) **Patent No.:** **US D893,239 S**
Van Den Nieuwenhuizen et al. (45) **Date of Patent:** **** Aug. 18, 2020**

(54) **CIRCULATOR COOKER CLAMP**

F04B 9/047; F16L 21/06; F16L 33/06;
G01K 1/024; H05B 6/00; H05B 6/02;
H05B 6/06

(71) Applicant: **Anova Applied Electronics, Inc.**, San Francisco, CA (US)

See application file for complete search history.

(72) Inventors: **John Van Den Nieuwenhuizen**, San Francisco, CA (US); **Vitor Alexandre Medeiros De Santa Maria**, Milan (IT)

(56) **References Cited**

U.S. PATENT DOCUMENTS

2,054,857 A * 9/1936 Gorsline A47J 27/0811
220/326

3,270,661 A 9/1966 Juvan
(Continued)

(73) Assignee: **Anova Applied Electronics, Inc.**, San Francisco, CA (US)

(**) Term: **15 Years**

OTHER PUBLICATIONS

(21) Appl. No.: **29/729,926**

Notice of Allowance for U.S. Appl. No. 29/631,873, dated Feb. 25, 2019, 6 pages.

(22) Filed: **Mar. 31, 2020**

(Continued)

Related U.S. Application Data

Primary Examiner — Ricky Pham

(60) Continuation of application No. 29/722,714, filed on Jan. 31, 2020, which is a division of application No. 29/631,870, filed on Jan. 3, 2018, now Pat. No. Des. 874,210.

(74) *Attorney, Agent, or Firm* — RatnerPrestia

(51) **LOC (12) Cl.** **07-02**

(57) **CLAIM**

(52) **U.S. Cl.**

The ornamental design for a circulator cooker clamp, as shown and described.

USPC **D7/354**

DESCRIPTION

(58) **Field of Classification Search**

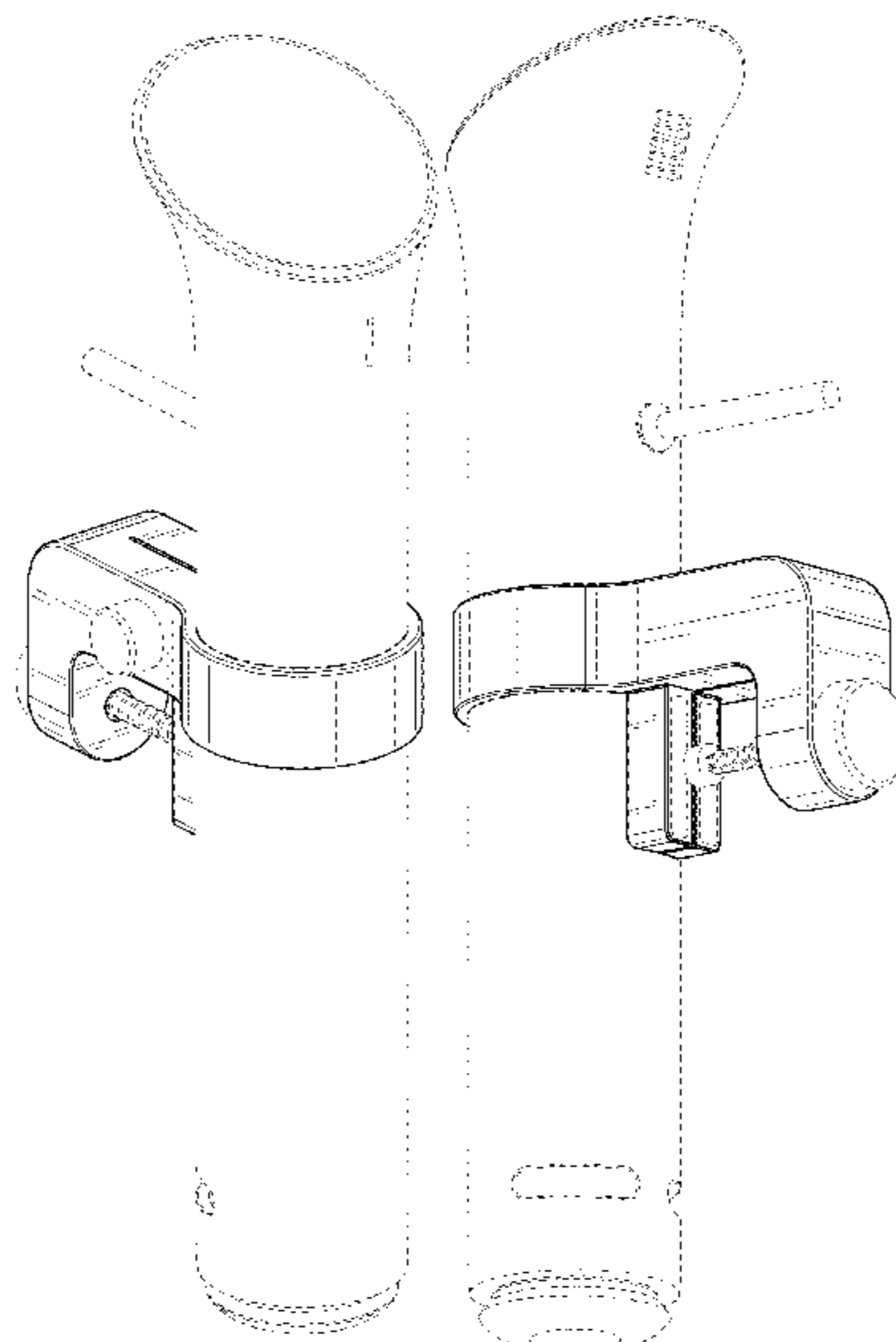
USPC D7/323, 354–361, 391, 393; D8/373, D8/396; D13/107

CPC A47J 27/00; A47J 27/004; A47J 27/08; A47J 27/0802; A47J 27/0804; A47J 27/0811; A47J 27/0813; A47J 27/0815; A47J 27/0817; A47J 27/084; A47J 27/09; A47J 27/092; A47J 27/10; A47J 27/21016; A47J 36/025; A47J 36/06; A47J 37/12; A47J 37/1204; A47J 37/1209; A47J 45/07; A47J 45/071; A47J 45/074; A47J 45/08; A62C 35/68; B01D 2201/345; B01J 3/03; B01J 3/04; B60L 53/18; F01P 2011/0247; F01P 2011/0252;

FIG. 1 is a top front isometric view of a circulator cooker clamp showing our new design; FIG. 2 is a bottom rear isometric view thereof; FIG. 3 is a front view thereof; FIG. 4 is a rear view thereof; FIG. 5 is a right side view thereof; FIG. 6 is a left side view thereof; FIG. 7 is a top plan view thereof as viewed along line 7-7 in FIG. 6; and, FIG. 8 is a bottom plan view thereof.

The broken lines in the drawings are for the purpose of illustrating unclaimed portions of the circulator cooker clamp and form no part of the claimed design. The dash-dot-dash lines indicate boundaries of the claimed design.

1 Claim, 7 Drawing Sheets



(56)

References Cited

U.S. PATENT DOCUMENTS

5,024,404 A * 6/1991 Ballard A62C 35/68
24/268
5,336,401 A 8/1994 Tu
5,944,365 A * 8/1999 Kizler F16L 21/06
285/419
D527,502 S 8/2006 Yoshimoto et al.
7,389,629 B2 6/2008 Tretina
8,240,112 B2 * 8/2012 Binger F04B 9/047
417/415
D672,225 S * 12/2012 Virnig D8/373
D681,440 S * 5/2013 Yu D8/396
D688,199 S * 8/2013 Behar D13/107
D748,052 S 1/2016 Behar et al.
9,615,689 B2 4/2017 Plazarte et al.
9,687,104 B2 6/2017 Wu
D792,736 S 7/2017 Chen
9,826,855 B2 11/2017 Wu
D836,967 S 1/2019 Lin
D850,844 S 6/2019 Yang et al.
D853,776 S 7/2019 Xu et al.
D853,777 S 7/2019 Van Den Nieuwenhuizen et al.
D862,154 S 10/2019 Van Den Nieuwenhuizen et al.
10,455,967 B2 * 10/2019 Wu A47J 27/10
D874,210 S 2/2020 Van Den Nieuwenhuizen et al.
10,595,662 B2 * 3/2020 Chan A47J 27/21016
2013/0026987 A1 * 1/2013 Gutierrez B60L 53/18
320/109

2013/0220143 A1 8/2013 Fetterman et al.
2015/0082996 A1 3/2015 Wu
2015/0150403 A1 6/2015 Wu
2015/0245731 A1 9/2015 Wu
2015/0342388 A1 12/2015 Wu
2015/0342389 A1 12/2015 Wu
2015/0342390 A1 12/2015 Wu
2015/0342392 A1 12/2015 Wu
2016/0022085 A1 1/2016 Wu
2016/0037956 A1 2/2016 Wu
2016/0192280 A1 6/2016 Kim et al.
2016/0192801 A1 7/2016 Wu
2016/0209077 A1 7/2016 Wu
2017/0089768 A1 * 3/2017 Wu G01K 1/024
2017/0245673 A1 8/2017 Peng et al.
2018/0255957 A1 9/2018 Wu
2020/0088333 A1 * 3/2020 Jeong F16L 33/06

OTHER PUBLICATIONS

Notice of Allowance for U.S. Appl. No. 29/631,876, dated Sep. 25, 2019, 6 pages.
Entire patent prosecution history of U.S. Appl. No. 29/631,870, filed, Jan. 3, 2018, entitled, "Circulator Cooker."
Entire patent prosecution history of U.S. Appl. No. 29/722,714, filed, Jan. 31, 2020, entitled, "Circulator Cooker."
Notice of Allowance for U.S. Appl. No. 29/722,714, dated Apr. 7, 2020, 5 pages.

* cited by examiner

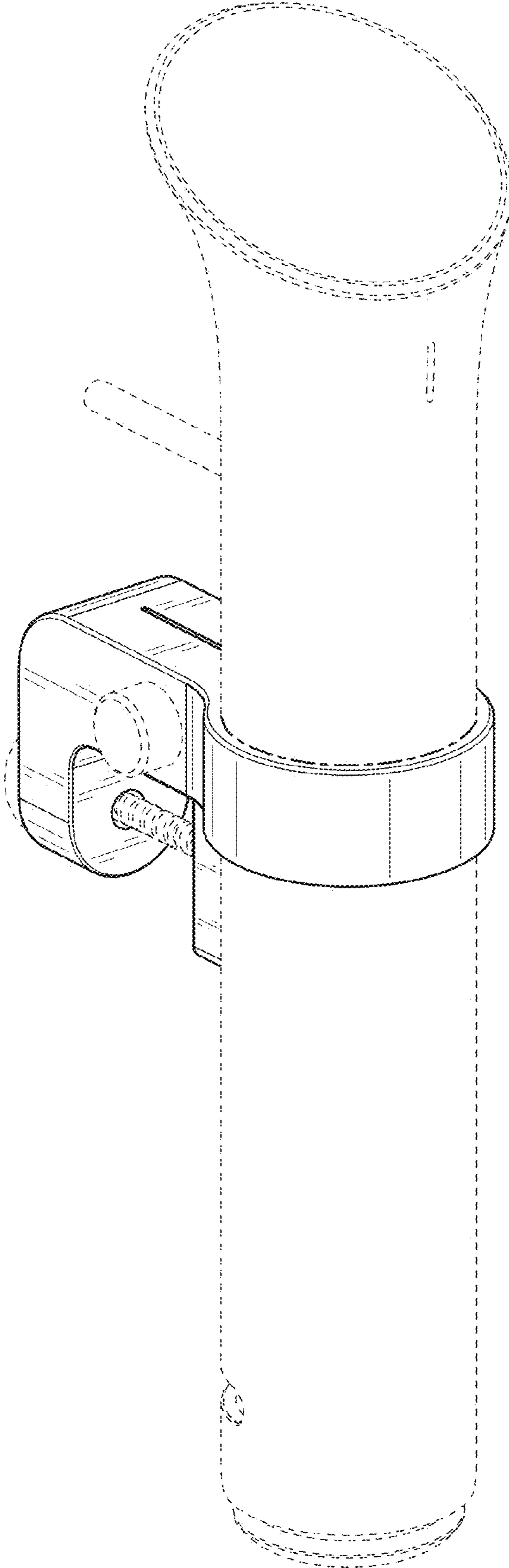


FIG. 1

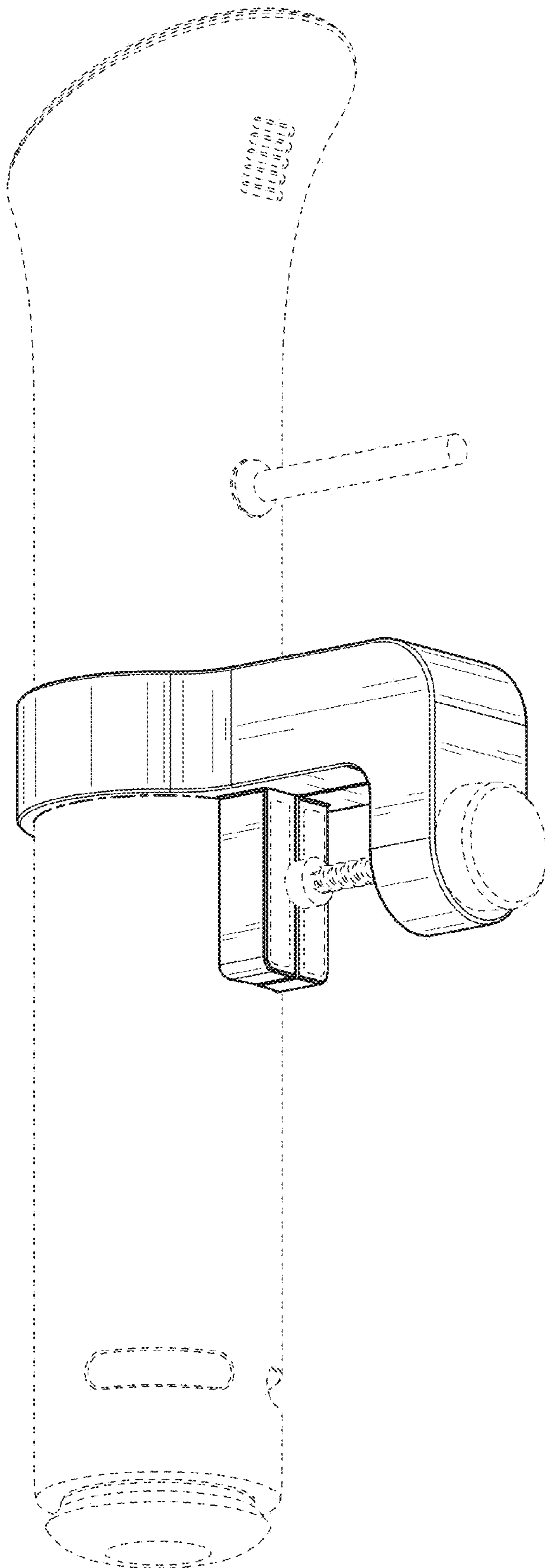


FIG. 2

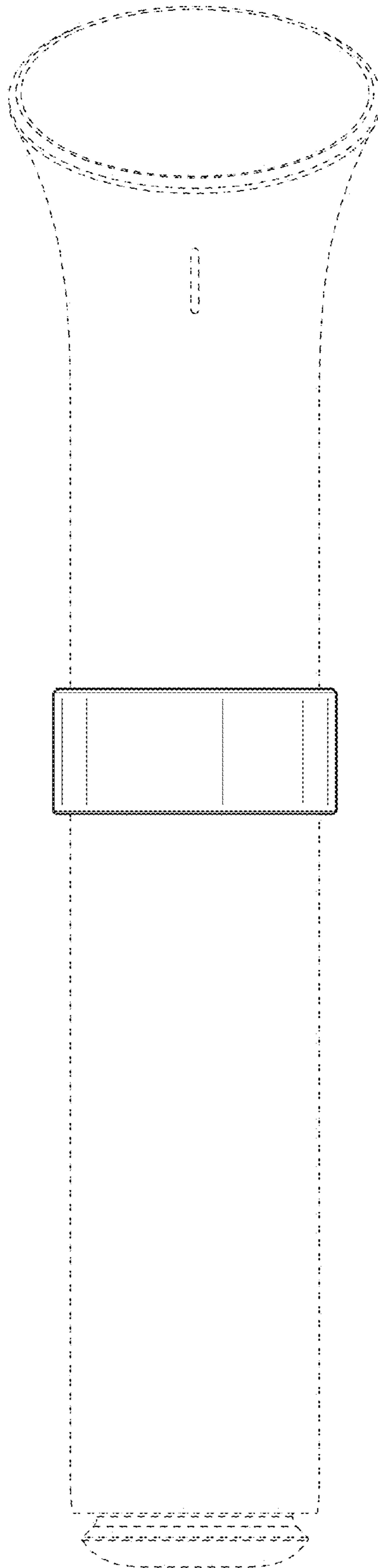


FIG. 3

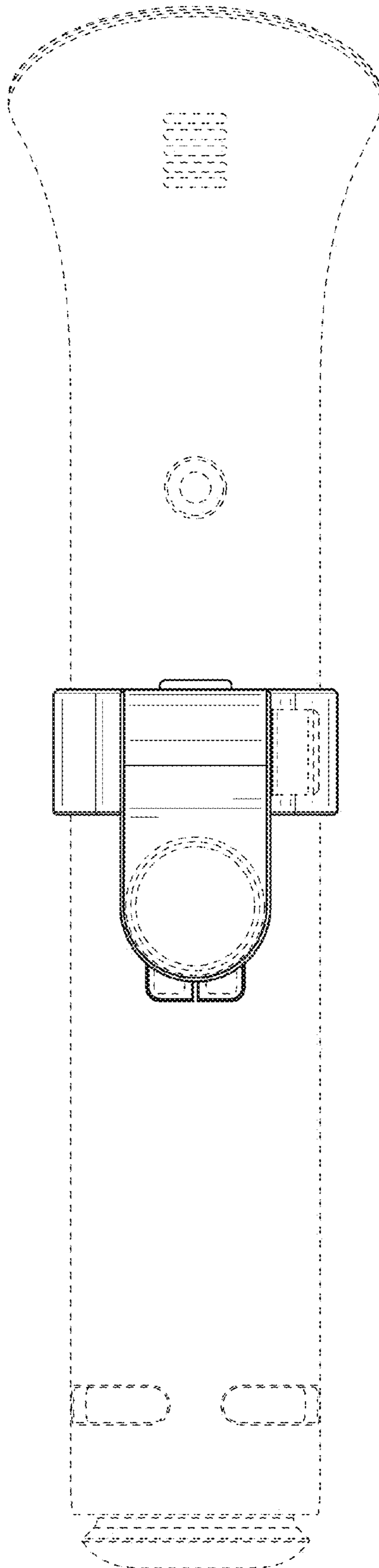


FIG. 4

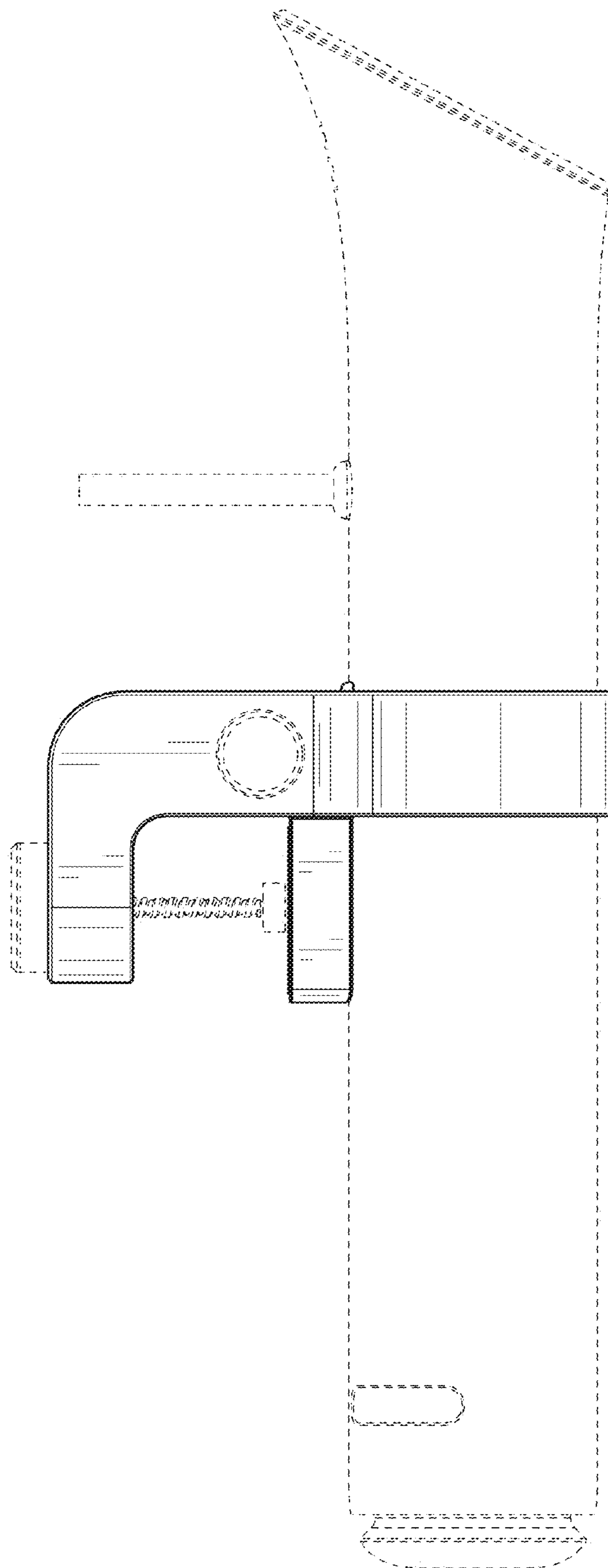


FIG. 5

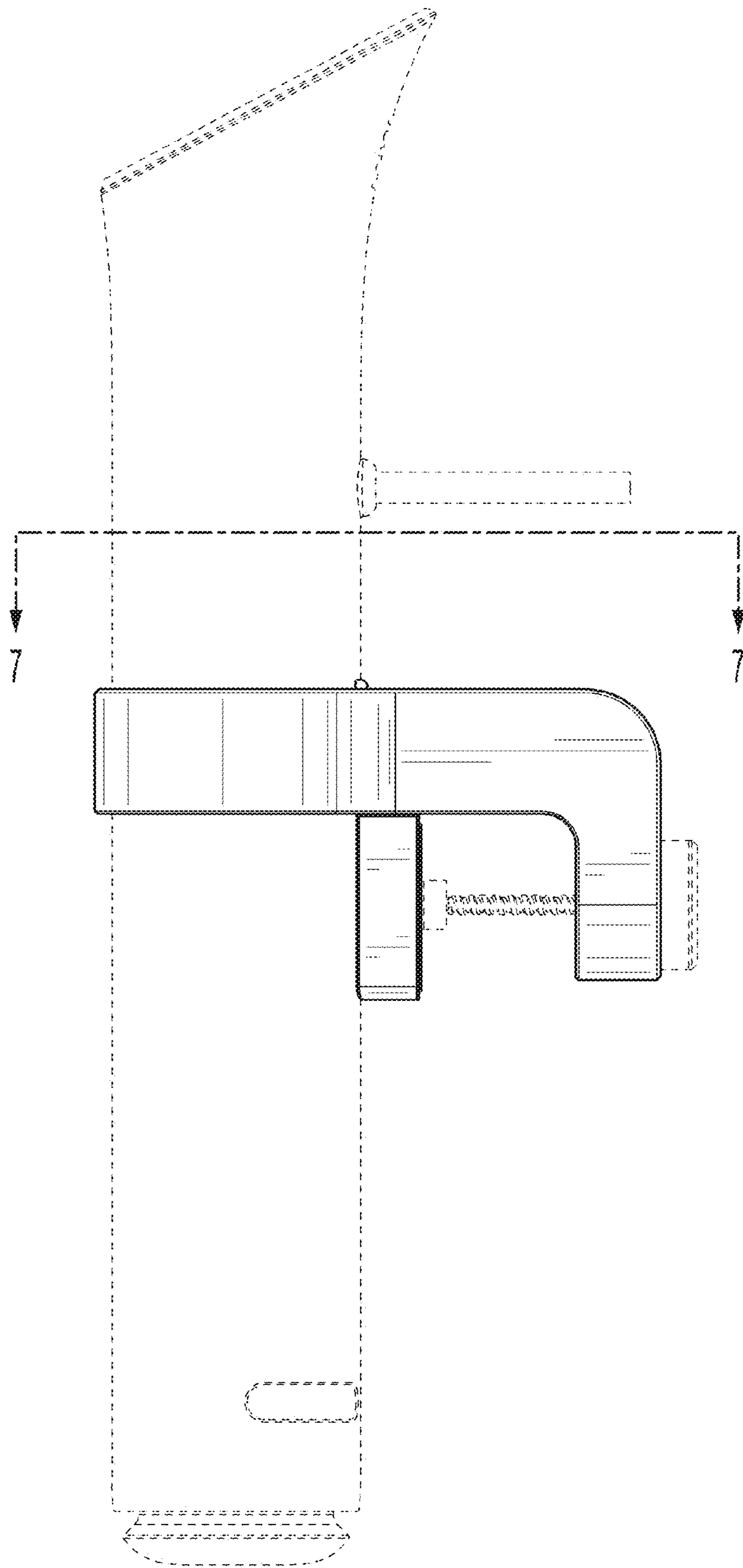


FIG. 6

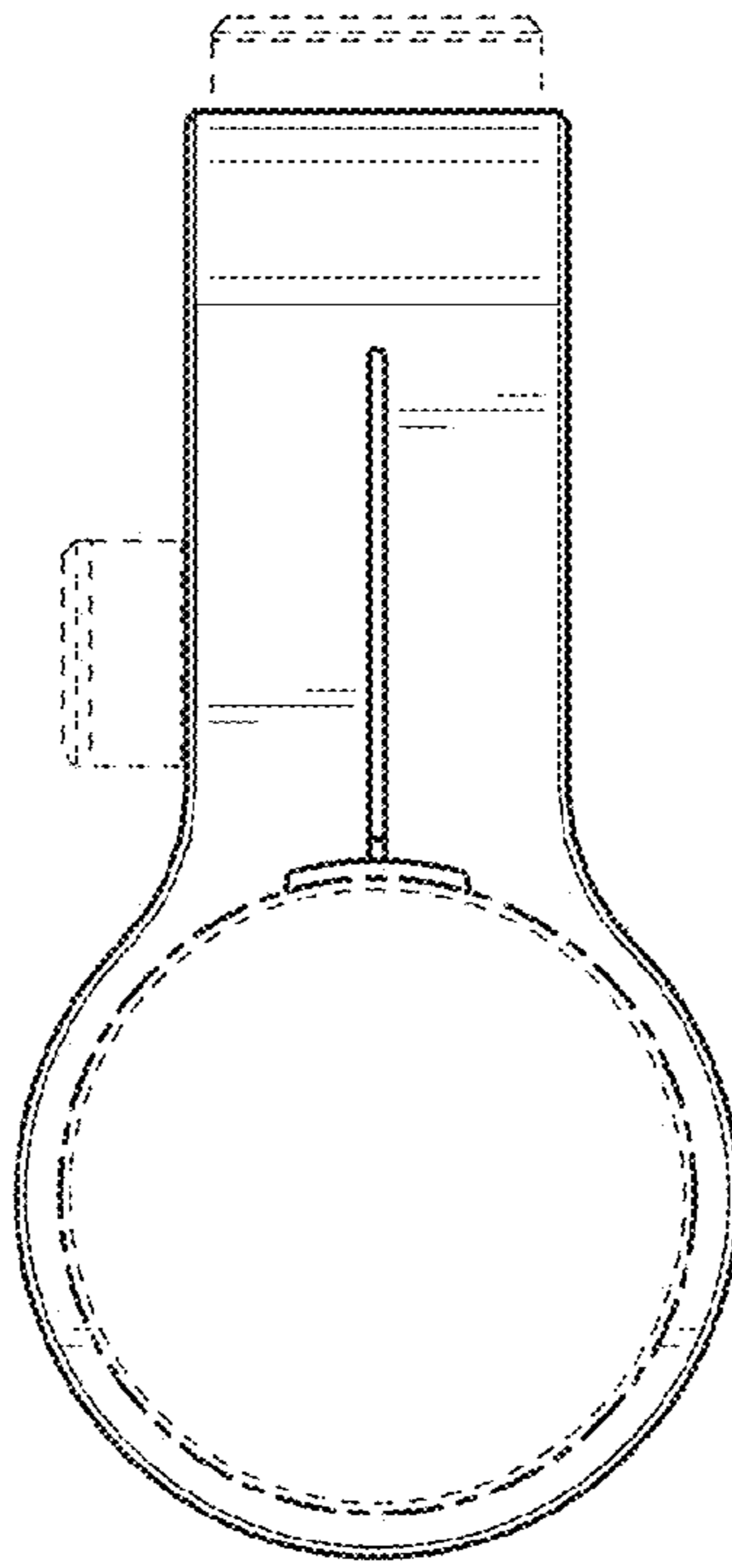


FIG. 7

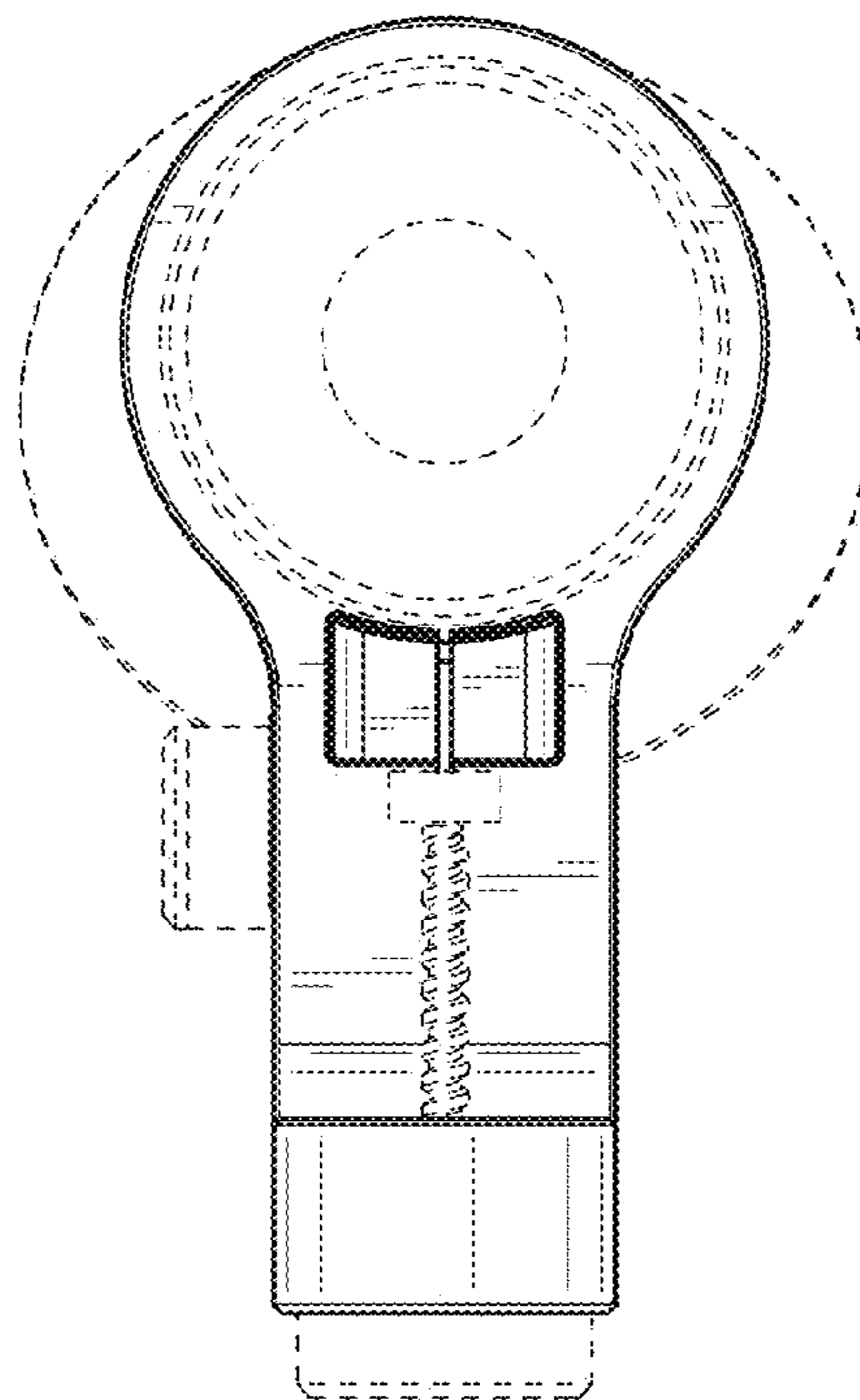


FIG. 8