



US00D893238S

(12) **United States Design Patent** (10) **Patent No.:** **US D893,238 S**  
**Bell** (45) **Date of Patent:** **\*\* Aug. 18, 2020**

(54) **OVEN BRACKET**

(71) Applicant: **Furrion Property Holding Limited,**  
Hong Kong (HK)

(72) Inventor: **Steven Neill Bell,** Hong Kong (HK)

(73) Assignee: **Furrion Property Holding Limited,**  
Hong Kong (HK)

(\*\*) Term: **15 Years**

(21) Appl. No.: **29/694,772**

(22) Filed: **Jun. 13, 2019**

**Related U.S. Application Data**

(63) Continuation of application No. 29/645,800, filed on  
Apr. 30, 2018, now Pat. No. Des. 851,979.

(51) **LOC (12) Cl.** ..... **07-02**

(52) **U.S. Cl.**

USPC ..... **D7/346; D7/348; D7/402**

(58) **Field of Classification Search**

USPC ..... D7/323, 328-330, 339-349, 362, 390,  
D7/402-408; D8/300-306, 356, 380;  
D12/181; D13/155; D32/25

CPC ... A21B 2/00; A47J 37/00; A47J 37/06; A47J  
37/0611; A47J 37/08; A47J 37/0807;  
A47J 37/0814; A47J 37/0835; A47J  
37/0842; A47J 37/085; A47J 37/0864;  
A47J 37/0878; A47J 37/0885; A47J  
37/0892; A47K 1/05; B60N 3/16; F16L  
3/137; F16M 13/02; F24C 7/00; F24C  
7/002; F24C 7/046; F24C 7/067; F24C  
15/02; F24C 15/04; F24C 15/10; F24C  
15/102; F24C 15/2042; H02G 15/007;  
H04Q 1/06

See application file for complete search history.

(56) **References Cited**

**U.S. PATENT DOCUMENTS**

2,556,444 A 6/1951 Reeves  
2,696,812 A 12/1954 Merritt, Jr.

(Continued)

**FOREIGN PATENT DOCUMENTS**

CN 303766428 S 8/2016  
CN 304109525 S 7/2017

(Continued)

**OTHER PUBLICATIONS**

Suburban 2985A Glass Cover Slide-In ([https://www.amazon.com/Suburban-2985A-Glass-Cooktop-Slide/dp/B00T37ET7G/ref=sr\\_1\\_1?crd=2R0YMJ667IT87&keywords=suburban+glass+cooktop+cover&qid=1566341852&s=gateway&sprefix=suburban+glass+c%2Caps%2C189&sr=8-1](https://www.amazon.com/Suburban-2985A-Glass-Cooktop-Slide/dp/B00T37ET7G/ref=sr_1_1?crd=2R0YMJ667IT87&keywords=suburban+glass+cooktop+cover&qid=1566341852&s=gateway&sprefix=suburban+glass+c%2Caps%2C189&sr=8-1)). Available on Feb. 17, 2015, accessed on Sep. 10, 2019.

(Continued)

*Primary Examiner* — Ricky Pham

(74) *Attorney, Agent, or Firm* — Faegre Drinker Biddle & Reath LLP

(57)

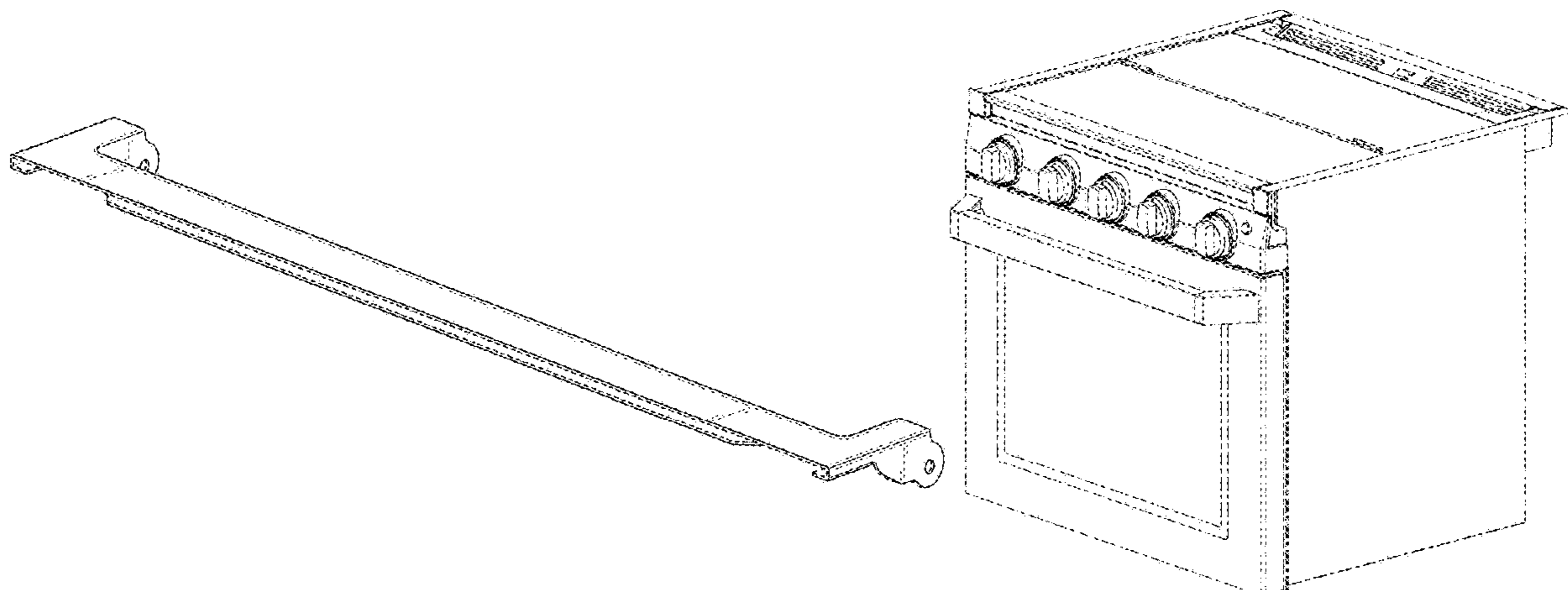
**CLAIM**

The ornamental design for an oven bracket, as shown and described.

**DESCRIPTION**

FIG. 1 is a front perspective view of an oven bracket illustrating my new design;  
FIG. 2 is a front view thereof;  
FIG. 3 is a rear view thereof;  
FIG. 4 is a left side view thereof;  
FIG. 5 is a right side view thereof;  
FIG. 6 is a top view thereof;  
FIG. 7 is a bottom view thereof;  
FIG. 8 is another front perspective view thereof; and,  
FIG. 9 is a front perspective view of the oven bracket coupled to an optional oven.  
Evenly-sized broken lines illustrate features of the oven bracket that form no part of the claimed design. Long-short broken lines illustrate an optional environment of an oven that forms no part of the claimed design.

**1 Claim, 8 Drawing Sheets**



(56)

References Cited

U.S. PATENT DOCUMENTS

2,704,063 A 3/1955 Young  
 2,772,414 A 11/1956 Baker, Jr.  
 3,004,132 A 10/1961 Harris, Jr. et al.  
 3,040,733 A 6/1962 Sherman  
 3,059,632 A 10/1962 Rogers  
 3,180,331 A 4/1965 Jenn et al.  
 3,320,944 A 5/1967 Hoppe  
 3,338,232 A 8/1967 Heldenbrand  
 4,501,260 A 2/1985 Grace  
 4,542,831 A \* 9/1985 Dazza ..... A47K 1/05  
 108/42  
 4,562,827 A 1/1986 Cerola  
 4,869,231 A 9/1989 Rice et al.  
 4,890,813 A 1/1990 Johnson et al.  
 5,062,410 A 11/1991 Sarnosky et al.  
 5,115,797 A 5/1992 Hurner  
 5,152,276 A 10/1992 Brock et al.  
 5,215,074 A 6/1993 Wilson et al.  
 5,231,734 A 8/1993 Rude  
 D348,375 S 7/1994 Ivanovich  
 5,538,206 A 7/1996 Sather  
 D378,262 S 3/1997 Sparks  
 D383,105 S \* 9/1997 Brys ..... D12/181  
 D393,774 S 4/1998 Ashcraft et al.  
 5,771,539 A 6/1998 Wahlstedt et al.  
 D395,816 S 7/1998 Colodny  
 5,865,101 A 2/1999 Brown  
 5,894,633 A 4/1999 Kaneko  
 D409,896 S \* 5/1999 Kaplan ..... D8/356  
 5,931,151 A 8/1999 Van Dore et al.  
 6,371,101 B1 4/2002 Hauser  
 6,568,542 B1 \* 5/2003 Chen ..... H04Q 1/06  
 211/26  
 D477,497 S 7/2003 Monguilod  
 D479,781 S 9/2003 Pottenger et al.  
 6,712,066 B1 3/2004 Atkinson et al.  
 6,761,159 B1 7/2004 Barnes et al.  
 D495,557 S 9/2004 Shin  
 D495,918 S 9/2004 De Mello  
 6,867,962 B2 3/2005 Cho et al.  
 D506,637 S 6/2005 Tanaka  
 D510,226 S 10/2005 Vetter  
 D530,972 S 10/2006 Park  
 D552,408 S 10/2007 Pino et al.  
 D561,787 S 2/2008 Choi  
 D567,635 S 4/2008 Nankervis  
 7,401,610 B1 7/2008 Cherry  
 D580,225 S 11/2008 Geiger et al.  
 D599,608 S 9/2009 Grumm et al.  
 D605,456 S 12/2009 Bengtson et al.  
 D610,863 S 3/2010 Kim et al.  
 D617,133 S 6/2010 Grey et al.  
 D622,537 S 8/2010 Kim et al.  
 7,836,877 B2 11/2010 Gagas et al.  
 D642,418 S 8/2011 Kim et al.  
 8,118,020 B2 2/2012 Rummel et al.  
 D655,128 S 3/2012 Kim et al.  
 D661,546 S 6/2012 Baacke et al.  
 D665,656 S 8/2012 Anzelmo  
 8,245,999 B2 8/2012 Tartan et al.  
 8,272,377 B2 9/2012 Tsakiris  
 D670,969 S 11/2012 Bengtson et al.  
 D671,821 S \* 12/2012 Anzelmo ..... D8/380  
 D682,602 S 5/2013 Funnell, II et al.  
 D685,602 S 7/2013 Lee  
 8,578,924 B2 11/2013 Elkasevic et al.  
 D700,469 S 3/2014 Reay et al.  
 D702,988 S 4/2014 Boo et al.  
 D718,605 S 12/2014 Yang et al.  
 D731,845 S 6/2015 Kim et al.  
 D734,273 S \* 7/2015 Chompff ..... D13/155  
 D736,062 S 8/2015 Ertel  
 D736,553 S 8/2015 Funnell, II et al.  
 9,103,553 B2 8/2015 Daughtridge, Jr. et al.  
 D755,009 S 5/2016 Kim et al.

D755,558 S 5/2016 Lee et al.  
 9,395,093 B2 7/2016 Yu et al.  
 D763,616 S 8/2016 Kim et al.  
 9,429,251 B1 \* 8/2016 Lin ..... F16M 13/02  
 D765,459 S 9/2016 Shoemaker et al.  
 D772,169 S \* 11/2016 Chompff ..... D13/155  
 D773,232 S 12/2016 Shoemaker et al.  
 D779,262 S 2/2017 Kim et al.  
 D781,096 S 3/2017 Kim et al.  
 D781,648 S 3/2017 Shoemaker et al.  
 D785,398 S 5/2017 Kim et al.  
 D786,005 S 5/2017 Kim et al.  
 D786,006 S 5/2017 Chung et al.  
 D786,609 S 5/2017 Cho et al.  
 D787,254 S 5/2017 Cho et al.  
 D787,255 S 5/2017 Cho et al.  
 D787,256 S 5/2017 Cho et al.  
 D787,879 S 5/2017 Kim et al.  
 D789,729 S 6/2017 Lee et al.  
 D793,795 S 8/2017 Suh  
 D808,706 S 1/2018 Kim et al.  
 D808,707 S 1/2018 Kim et al.  
 9,863,642 B2 1/2018 Je et al.  
 9,874,355 B2 1/2018 Green et al.  
 D810,493 S 2/2018 Harrell et al.  
 D811,165 S 2/2018 Sadtler  
 D812,016 S 3/2018 Chompff  
 D812,959 S 3/2018 Kim et al.  
 D816,386 S 5/2018 Kim et al.  
 D817,066 S 5/2018 Shoemaker et al.  
 D817,685 S 5/2018 Incukur  
 D821,813 S 7/2018 Kim et al.  
 D828,090 S 9/2018 Kim et al.  
 D829,482 S 10/2018 Incukur  
 D835,932 S 12/2018 Incukur  
 D839,038 S 1/2019 Bell  
 10,167,981 B2 1/2019 Cheng et al.  
 D851,978 S 6/2019 Bell  
 D851,979 S 6/2019 Bell  
 D851,990 S 6/2019 Bell  
 D854,764 S \* 7/2019 Park ..... D32/25  
 10,340,674 B1 \* 7/2019 Chompff ..... F16L 3/137  
 D872,516 S \* 1/2020 Bell ..... D7/346  
 D873,062 S \* 1/2020 Bell ..... D7/346  
 2004/0035983 A1 \* 2/2004 Simonson ..... H02G 15/007  
 248/49  
 2005/0056268 A1 3/2005 Panchapagesan et al.  
 2007/0221199 A1 9/2007 Hake et al.  
 2009/0260616 A1 10/2009 Brant et al.  
 2013/0019853 A1 1/2013 Kim et al.  
 2016/0320067 A1 11/2016 Dachs et al.  
 2016/0334113 A1 11/2016 Lee et al.  
 2017/0328573 A1 11/2017 Wojick et al.  
 2018/0156468 A1 6/2018 Bell

FOREIGN PATENT DOCUMENTS

CN 304603550 S 5/2018  
 KR 300867232 S 8/2016  
 WO D0916790001 7/2016  
 WO D0898000002 8/2016  
 WO D0898000003 8/2016  
 WO D0898000006 8/2016  
 WO D0930580001 11/2016

OTHER PUBLICATIONS

“2015 Pinnacle” [online], [retrieved Sep. 8, 2017]. Retrieved from the Internet <URL:https://www.google.com/search?safe=active&rls=com.microsoft%3Aen-US%3AIE-Address&biw=913&bih=653&tbm=isch&sa=1&q=rv+stove+glass&oq=rv+stove+glass&gs\_l=psy-ab.3...491717.766060.0.766951.6.6.0.0.0.0.255.805.0j3j1.4.0...1.1.64.psy-313..2.2.349...0j0i67k1j0i8i30k1j0i24k1.n0kolOw\_4IY#imgrc=BKnmDP5PQ0te2M:spf=1523295249889>, 1 page.  
 “2017 Fleetwood Jamboree RV—Class C Motorhome” [online], [retrieved on Sep. 8, 2017]. Retrieved from the Internet <URL:http://www.fleetwoodrv.com/2017-fleetwood-jamboree>, 11 pages.

(56)

## References Cited

## OTHER PUBLICATIONS

“Atwood RV-2135 BBP 52232 21 Inch,” RV Parts Country, [rvpartscountry.com](https://rvpartscountry.com), UPC Code: 92931522326, Jan. 6, 2014. <https://web.archive.org/web/20140106195901/http://www.rvpartscountry.com/Atwood-3-Burner-21inch-Range-wo-Piezo.html>.

“Camco 43554 Universal Fit RV Stove Top Cover (Black)” [online], [retrieved on Sep. 8, 2017]. Retrieved from the Internet <URL: <http://www.ebay.com/itm/Camco-43554-Universal-Fit-RV-Stove-Top-Cover-Black-Black-/112357123356?epid=671816644&hash=item1a2901a51c:g:JAUAAOSwDmBY4cQK&vxp=mtr>>, 3 pages.

“Conventional Burner Gas Range—Piezo Lite, 17”” [online], [first retrieved on Sep. 8, 2017]. Retrieved from the Internet <URL: [http://www.campingworld.com/shopping/item/conventional-burner-gas-range-piezo-lite-17-/484505&utm\\_source=google&utm\\_medium=cpc&scid=scp1p84505&sc\\_intid=84505?utm\\_campaign=SC\\_Shopping\\_High&affiliateid=6313&gclid=EAlalQobChMlu-WO-bKW1gIVCi9pCh0kQLZEAQYAYABEgL7mvD\\_BwE](http://www.campingworld.com/shopping/item/conventional-burner-gas-range-piezo-lite-17-/484505&utm_source=google&utm_medium=cpc&scid=scp1p84505&sc_intid=84505?utm_campaign=SC_Shopping_High&affiliateid=6313&gclid=EAlalQobChMlu-WO-bKW1gIVCi9pCh0kQLZEAQYAYABEgL7mvD_BwE)>, 3 pages.

“La Germania 3-Gas Burner Manual Oven,” La Germania, [web.archive.org/web/20141129124153/http://www.ceuappliancecenter.com:80/product/la-germania-3-gas-burner-manualoven/agermania.pdf](https://web.archive.org/web/20141129124153/http://www.ceuappliancecenter.com:80/product/la-germania-3-gas-burner-manualoven/agermania.pdf).

“Marine Gas Stove with Three Burner Cooktop,” Fisheries Supply, [fisherisupply.com](https://web.archive.org/web/20160906075007/https://www.fisherisupply.com/force-10-marine-gas-stove-with-three-burner-cooktop-range-gimbale), Sep. 6, 2016. <https://web.archive.org/web/20160906075007/https://www.fisherisupply.com/force-10-marine-gas-stove-with-three-burner-cooktop-range-gimbale>.

“Oven,” Design U.S. Appl. No. 29/625,563, filed Nov. 10, 2017 under the applicant Furrion Property Holding Limited, 23 pages.

“Stove Top Cover Wooden Counter Mat Travel RV Kitchen Gas Range Burner Serving” [online], [retrieved on Sep. 8, 2017]. Retrieved from the Internet <<http://www.ebay.com/itm/Stove-Top-Cover-Wooden-Counter-Mat-Travel-RV-Kitchen-Gas-Range-Burner-Serving-/332042293030?epid=1111828905&hash=item4d4f434f26:g:7pYAAOSwiONYNkbg&vxp=mtr>>, 3 pages.

“Suburban 3206A Gas Range with Conventional Burners—Black w/Piezo Ignition, 17”,” Amazon, [amazon.com](https://www.amazon.com), ASIN: B00PXJRYR0, Manufacturer Part Number: 3206A, Nov. 21, 2014. <https://www.amazon.com/dp/B00PXJRYR0/>.

“Wedgewood RV/Camper Stove” [online], [retrieved Sep. 8, 2017]. Retrieved from the Internet <URL: <https://www.5miles.com/item/YEZ7JEpQ8KAgK8ze/wedgewood-rvcamper-stove-great-shape>>, 3 pages.

Atwood Mobile Products 52232 Wedgewood Black 21" Ups Piezo Oven Range 3 Burner ([https://www.amazon.com/Atwood-Mobile-Products-52232-Wedgewood/dp/B004LF11WG/ref=pd\\_sbs\\_263\\_4/138-7842717-6725655?\\_encoding=UTF8&pd\\_rd\\_i=B004LF11WG&pd\\_rd\\_r=ddea8634-bb11-4f54-b3f1-c04de2d854e6&pd\\_rd\\_w=W0ucE&pd\\_rd\\_wg=Uiaq8&pf\\_rd\\_p=43281256-7633-49c8-b909-7ffd7d8cb21e&pf\\_rd\\_r=8B3PHVXY6HXMXF2N6TP7&pvc=1&refRID=8B3PHVXY6HXMXF2N6TP7](https://www.amazon.com/Atwood-Mobile-Products-52232-Wedgewood/dp/B004LF11WG/ref=pd_sbs_263_4/138-7842717-6725655?_encoding=UTF8&pd_rd_i=B004LF11WG&pd_rd_r=ddea8634-bb11-4f54-b3f1-c04de2d854e6&pd_rd_w=W0ucE&pd_rd_wg=Uiaq8&pf_rd_p=43281256-7633-49c8-b909-7ffd7d8cb21e&pf_rd_r=8B3PHVXY6HXMXF2N6TP7&pvc=1&refRID=8B3PHVXY6HXMXF2N6TP7)). Available on Jan. 25, 2011, accessed on Sep. 10, 2019.

Camco RV Stove Top Cover ([https://www.amazon.com/Camco-Universal-Convert-Counter-43554/dp/B000EDSSMA/ref=sr\\_1\\_1?keywords=camco+glass+cover&qid=1566423822&s=gateway&sr=8-1](https://www.amazon.com/Camco-Universal-Convert-Counter-43554/dp/B000EDSSMA/ref=sr_1_1?keywords=camco+glass+cover&qid=1566423822&s=gateway&sr=8-1)). Available on Jan. 1, 2006, accessed on Sep. 10, 2019.

Lowe, Jessica. “How to Baby Proof Your RV” [online], [retrieved on Sep. 8, 2017]. Retrieved from the Internet <URL: <http://www.carefreecommunities.com/blog/how-to-baby-proof-your-rv/>>, 4 pages.

Magic Chef Oven and Cooktop (<https://www.youtube.com/watch?v=IJZX78dWQME>). Published on Aug. 10, 2011, accessed on Sep. 10, 2019.

Miele (Feb. 20, 2018). 36 Inch Downdraft Hood Flush Mounting. pp. 1-10.

Nordby, Klaus. “My Latest Experiment in Living On Earth: Klaus “Easy Comfy Rider” Nordby hits the rrrrrrrrrrrrrrrroad!” [online], [retrieved on Sep. 8, 2017]. Retrieved from the Internet <URL: <http://klausnordby.com/ego/rv.html>>, 11 pages.

RV daydream, More RV counter space Cameo 43521 stove top, <https://www.youtube.com/watch?v=NVCi2HeulHE> (Year: 2015).

RVProject, Adding a cover to an Atwood RV-1735 kitchen range in a RV, <https://www.youtube.com/watch?v=vCVCe7wRfZc> (Year: 2014).

Complaint for Damages and Injunctive Relief filed Jul. 24, 2019, *Furrion Property Holding Limited and Furrion Limited v. Way Interglobal Network, LLC*, United States District Court for the Northern District of Indiana South Bend Division, Civil Action No. 3:19-cv-00566-PPS-MGG.

Plaintiff’s Motion for Preliminary Injunction filed Jul. 25, 2019, *Furrion Property Holding Limited and Furrion Limited v. Way Interglobal Network, LLC*, United States District Court for the Northern District of Indiana South Bend Division, Civil Action No. 3:19-cv-00566-PPS-MGG.

Brief in Support of Plaintiff’s Motion for Preliminary Injunction filed Jul. 25, 2019, *Furrion Property Holding Limited and Furrion Limited v. Way Interglobal Network, LLC*, United States District Court for the Northern District of Indiana South Bend Division, Civil Action No. 3:19-cv-00566-PPS-MGG.

Way Interglobal’s Opposition to Plaintiff’s Motion for Preliminary Injunction filed Aug. 23, 2019, *Furrion Property Holding Limited and Furrion Limited v. Way Interglobal Network, LLC*, United States District Court for the Northern District of Indiana South Bend Division, Civil Action No. 3:19-cv-00566-PPS-MGG.

Reply Brief in Support of Plaintiff’s Motion for Preliminary Injunction filed Sep. 4, 2019, *Furrion Property Holding Limited and Furrion Limited v. Way Interglobal Network, LLC*, United States District Court for the Northern District of Indiana South Bend Division, Civil Action No. 3:19-cv-00566-PPS-MGG.

Answer, Affirmative Defenses, and Counterclaims filed Oct. 17, 2019, *Furrion Property Holding Limited and Furrion Limited v. Way Interglobal Network, LLC*, United States District Court for the Northern District of Indiana South Bend Division, Civil Action No. 3:19-cv-00566-PPS-MGG.

Opinion and Order filed Oct. 30, 2019, *Furrion Property Holding Limited and Furrion Limited v. Way Interglobal Network, LLC*, United States District Court for the Northern District of Indiana South Bend Division, Civil Action No. 3:19-cv-00566-PPS-MGG.

Answer to Counterclaims filed Nov. 7, 2019, *Furrion Property Holding Limited and Furrion Limited v. Way Interglobal Network, LLC*, United States District Court for the Northern District of Indiana South Bend Division, Civil Action No. 3:19-cv-00566-PPS-MGG.

\* cited by examiner

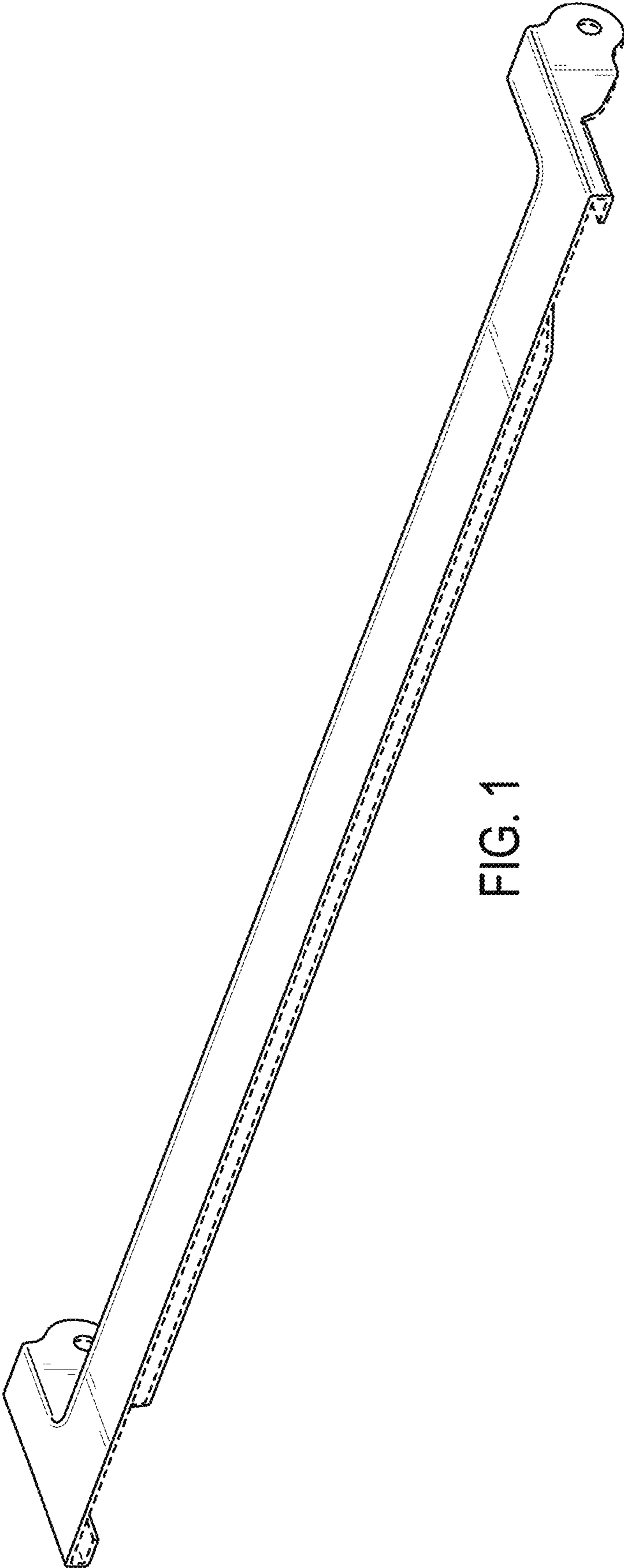


FIG. 1

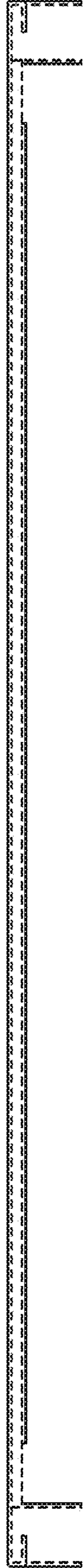


FIG. 2

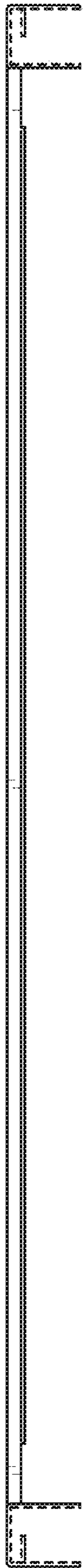


FIG. 3



FIG. 4



FIG. 5

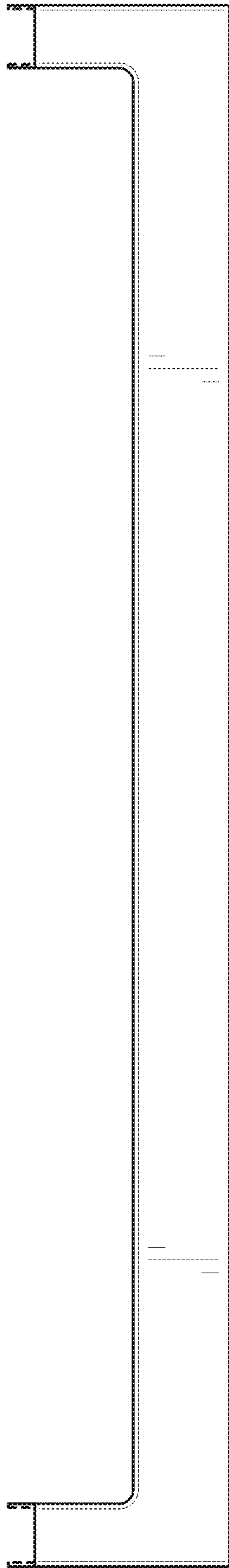


FIG. 6



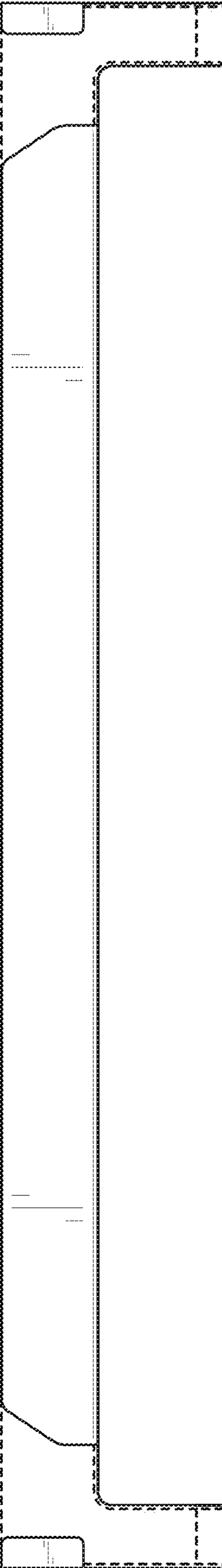


FIG. 7

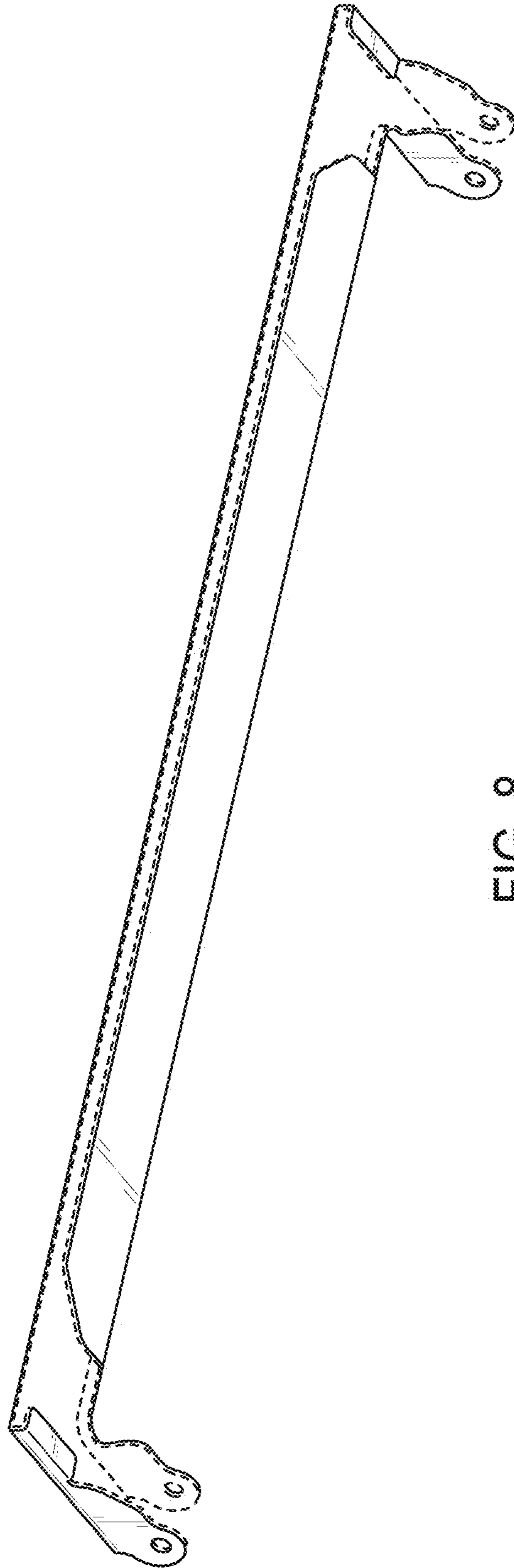


FIG. 8

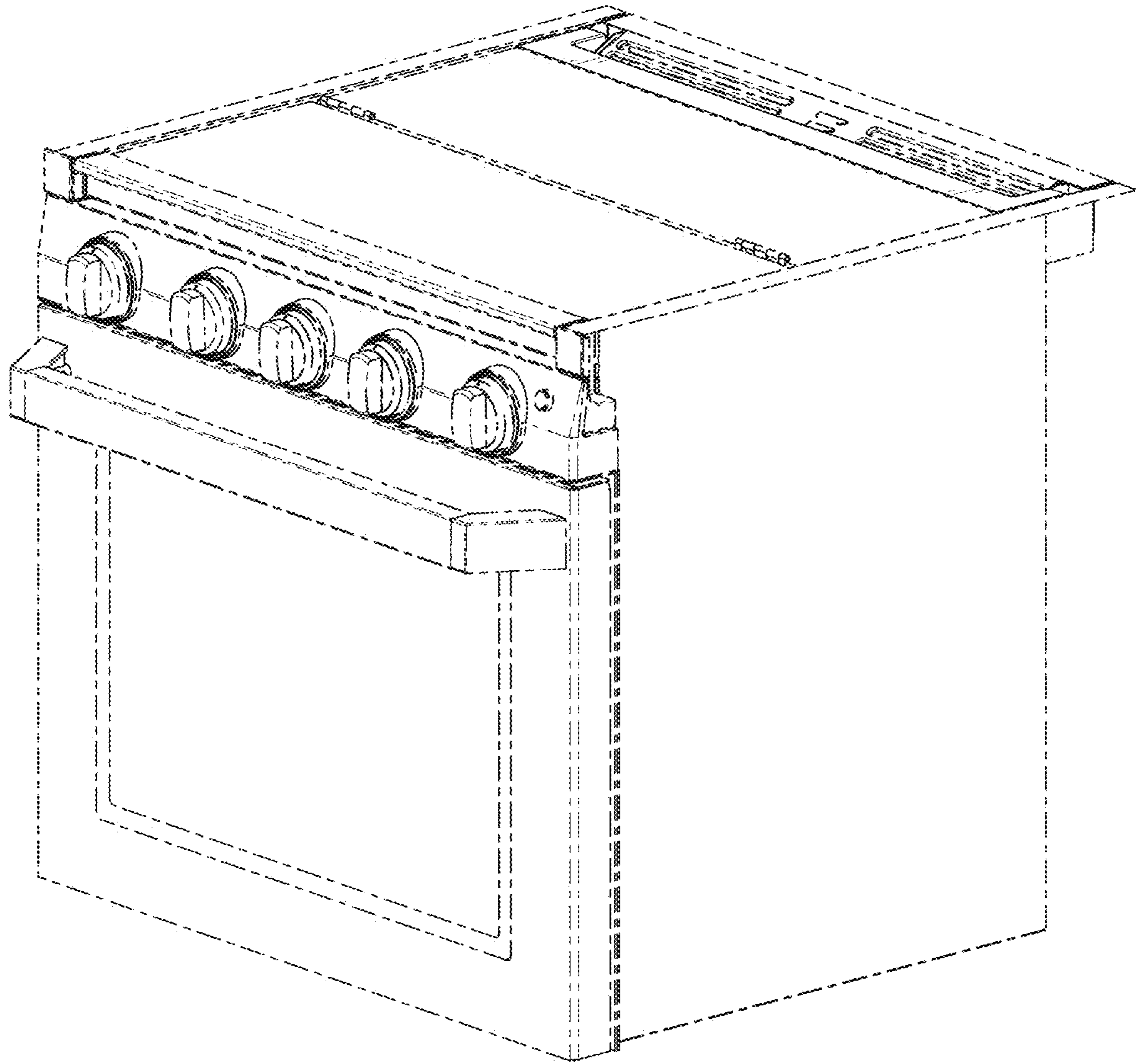


FIG. 9