



US00D893237S

(12) **United States Design Patent** (10) **Patent No.:** **US D893,237 S**
Choi et al. (45) **Date of Patent:** **** Aug. 18, 2020**

(54) **GAS OVEN RANGE**

(71) Applicant: **SAMSUNG ELECTRONICS CO., LTD.**, Suwon-si, Gyeonggi-do (KR)

(72) Inventors: **Hwan-Woong Choi**, Suwon-si (KR); **Gisung Han**, Suwon-si (KR)

(73) Assignee: **SAMSUNG ELECTRONICS CO., LTD.**, Gyeonggi-Do (KR)

(**) Term: **15 Years**

(21) Appl. No.: **29/689,512**

(22) Filed: **Apr. 30, 2019**

(30) **Foreign Application Priority Data**

Jan. 2, 2019 (KR) 30-2019-0000115

(51) **LOC (12) Cl.** **07-02**

(52) **U.S. Cl.**
USPC **D7/339**

(58) **Field of Classification Search**
USPC D7/323, 328, 329, 330, 339, 340, 341, D7/342, 343, 344, 345, 346, 347, 348, D7/349, 351, 352, 365, 367, 390, 402, D7/403, 404, 405, 406, 407, 408, 409, D7/410, 411, 538, 543, 554.1, 554.2, 585
CPC A21B 1/00; A21B 1/52; A21B 5/00; A21B 3/13; A21B 3/131; A21B 3/132; A21B 3/133; A21B 3/138; A21B 3/15; A21B 5/023; A47J 37/00; A47J 37/04; A47J 37/06; A47J 37/0623; A47J 37/0611; A47J 37/067; A47J 37/0605; A47J 37/0629; A47J 37/0676; A47J 27/60; A47J 27/62; A47J 36/022; A47J 36/025; A47J 36/027; A47G 19/02; A47G 19/027; A47G 19/22; F24C 1/00; F24C 3/00; F24C 3/002; F24C 3/008; F24C 5/00; F24C 7/00; F24C 7/002; F24C

(Continued)

(56) **References Cited**

U.S. PATENT DOCUMENTS

D524,093 S * 7/2006 Home D7/340
D702,988 S * 4/2014 Boo D7/340
D736,553 S * 8/2015 Funnell, II D7/339

(Continued)

FOREIGN PATENT DOCUMENTS

CN 304039455 S 2/2017
KR 0231821 S 2/1999

(Continued)

OTHER PUBLICATIONS

5.9 cu. ft. 36" Chef Collection Professional Gas Range in Stainless Steel, announced © 1995-2020 [online], retrieved Jun. 3, 2020, retrieved from internet, <https://www.samsung.com/us/home-appliances/ranges/gas/36--gas-professional-range-in-stainless-steel-nx36r9966ps-aa/>.*

(Continued)

Primary Examiner — Barbara Fox

Assistant Examiner — Messina L Smith

(74) *Attorney, Agent, or Firm* — Cantor Colburn LLP

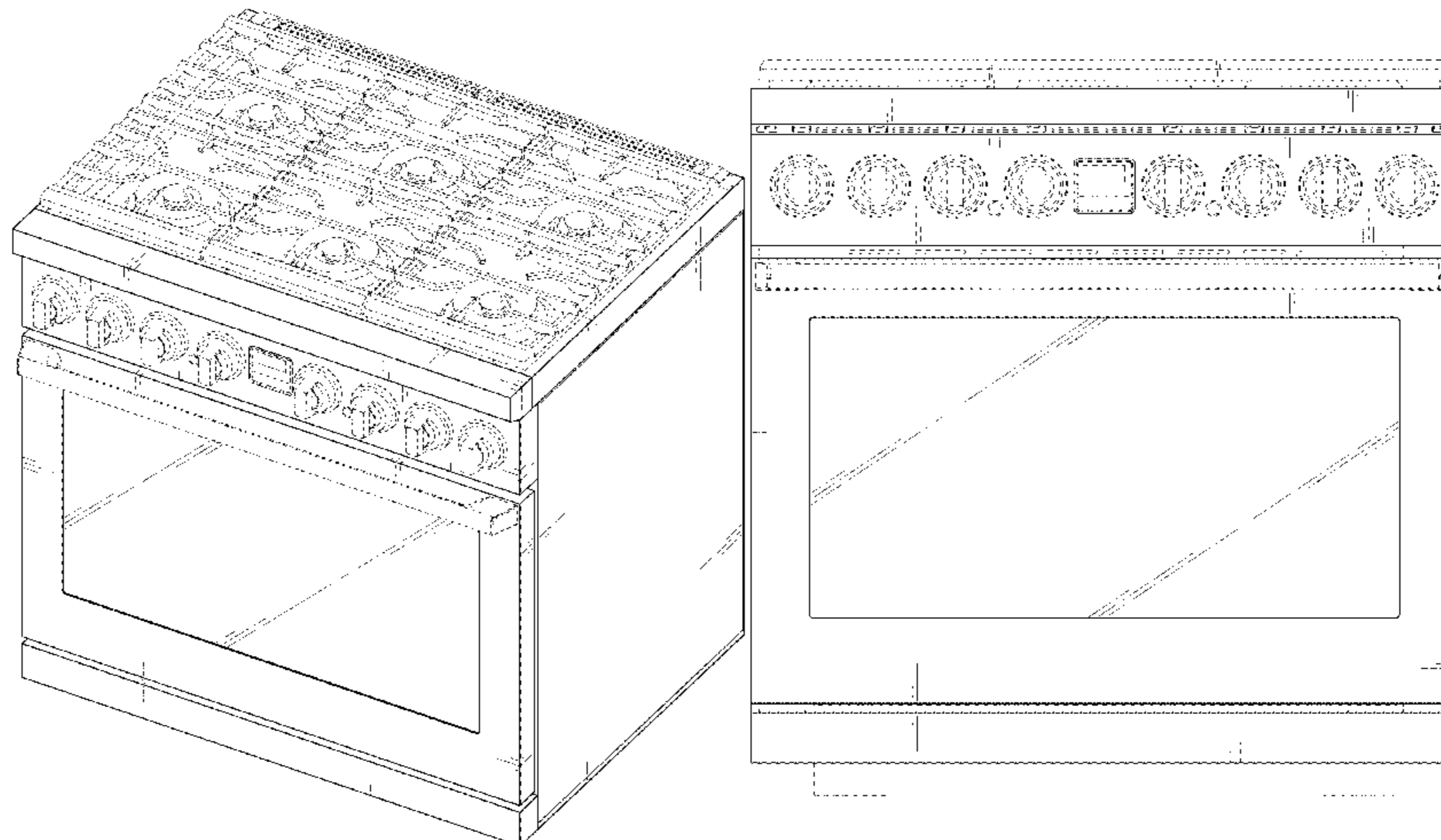
(57) **CLAIM**

The ornamental design for a gas oven range, as shown and described.

DESCRIPTION

FIG. 1 is a front perspective view of a gas oven range, showing our new design;
FIG. 2 is a front view thereof;
FIG. 3 is a rear view thereof;
FIG. 4 is a left-side view thereof;
FIG. 5 is a right-side view thereof;
FIG. 6 is a top view thereof; and,
FIG. 7 is a bottom view thereof.

(Continued)



The broken lines illustrating portions of the gas oven range form no part of the claimed design.

1 Claim, 7 Drawing Sheets

FOREIGN PATENT DOCUMENTS

KR 300847092 S 3/2016
KR 300950665 S 3/2018

OTHER PUBLICATIONS

(58) **Field of Classification Search**

CPC 7/043; F24C 7/062; F24C 11/00; F24C 15/02; F24C 15/04; F24C 15/10
See application file for complete search history.

AjMadison. Superiore Deco Series RD361GCNCB [online]. p. 1 [retrieved on Apr. 30, 2019]. Retrieved from the Internet: <URL: <https://www.ajmadison.com/cgi-bin/ajmadison/RD361GCNC13.html>.

(56)

References Cited

U.S. PATENT DOCUMENTS

D755,563 S * 5/2016 Kim D7/406
D773,232 S * 12/2016 Shoemaker D7/339
D778,111 S 2/2017 Shoemaker et al.
D798,108 S * 9/2017 Shoemaker D7/408
D798,661 S 10/2017 Shoemaker et al.
D817,685 S * 5/2018 Incukur D7/340
D829,482 S * 10/2018 Incukur D7/340
D835,932 S * 12/2018 Incukur D7/340
D836,374 S * 12/2018 Kim D7/340
D840,738 S * 2/2019 Chung D7/340
D851,978 S * 6/2019 Bell D7/340
D862,982 S * 10/2019 Kim D7/406
D863,882 S * 10/2019 Kim D7/405
D874,220 S * 2/2020 Kim D7/406
D874,221 S * 2/2020 Kim D7/406
2010/0186603 A1 * 7/2010 Bowles A47J 37/067
99/422
2011/0139142 A1 * 6/2011 Schalueck F24C 3/087
126/39 E
2013/0327314 A1 * 12/2013 Green F24C 15/10
126/39 B
2015/0292747 A1 * 10/2015 Daughtridge, Jr. F24C 3/126
126/39 B
2019/0003718 A1 * 1/2019 Lee F24C 15/18
2019/0041065 A1 * 2/2019 Park F24C 15/168
2019/0110641 A1 * 4/2019 Lee F24C 15/14

Appliances connection. Smeg CPF36UGGX [online]. p. 1 [retrieved on Apr. 30, 2019]. Retrieved from the Internet: <URL: <https://www.appliancesconnection.com/smeg-cpf36uggx.html?ref=TRJC&cjevent=701429e5097511e980d803320a18050c>.

Beko Self-Clean Convection Gas Range. Albert Lee [online]. p. 1 [retrieved on Apr. 30, 2019]. Retrieved from the Internet: <URL: <https://www.albertlee.biz/cooking/ranges/gas-freestanding-ranges/PRGR34550SS/>.

Flickr. Samsung [online]. p. 1 [retrieved on Apr. 30, 2019]. Retrieved from the Internet: <URL: <https://www.flickr.com/photos/samsungtomorrow/28183961457/in/photostream/>.

Heritage 36" Dual Fuel Pro Range. dacor [online]. p. 1 [retrieved on Apr. 30, 2019]. Retrieved from the Internet: <URL: <http://www.dacor.com/products/collections/heritage/ranges/36-inch-heritage-dual-fuel-pro-range>.

Samsung-5.8 cu. ft. Self-Cleaning Slide-in Gas Convection Range-Stainless steel. Best Buy [online]. p. 1 [retrieved on Apr. 30, 2019]. Retrieved from the Internet: <URL: <https://www.bestbuy.com/site/samsung-5-8-cu-ft-self-cleaning-slide-in-gas-convection-range-stainless-steel/5713323.p?skuId=5713323&intl=nosplash>.

Thor Kitchen Premium Series 36" Freestanding Dual Fuel Range With Convection. Sam's Club [online]. p. 1 [retrieved on Apr. 30, 2019]. Retrieved from the Internet: <URL: <https://www.samsclub.com/sams/36in-dual-fuel-range-thor-kitchen/prod22190944.ip>.

* cited by examiner

FIG. 1

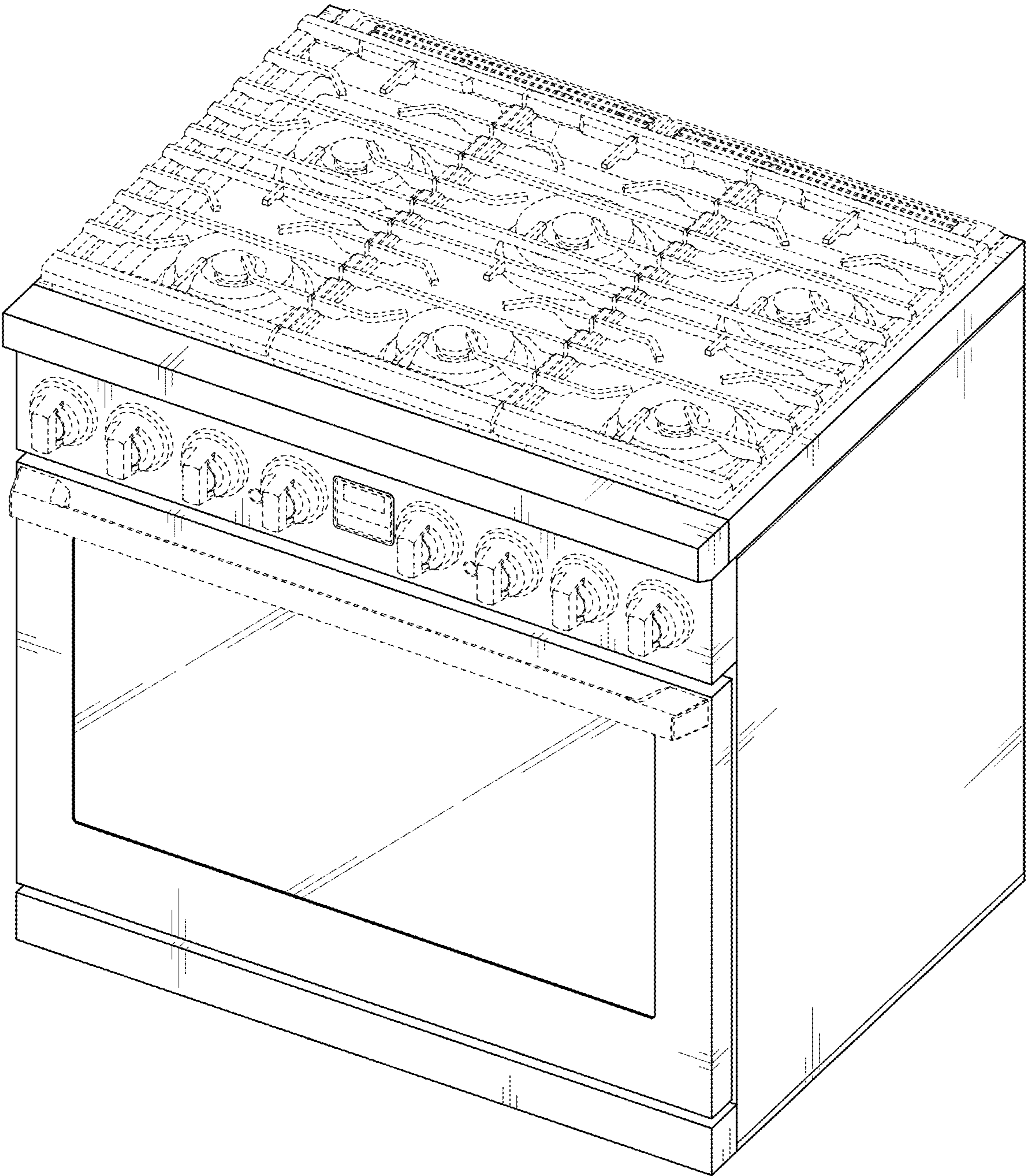


FIG. 2

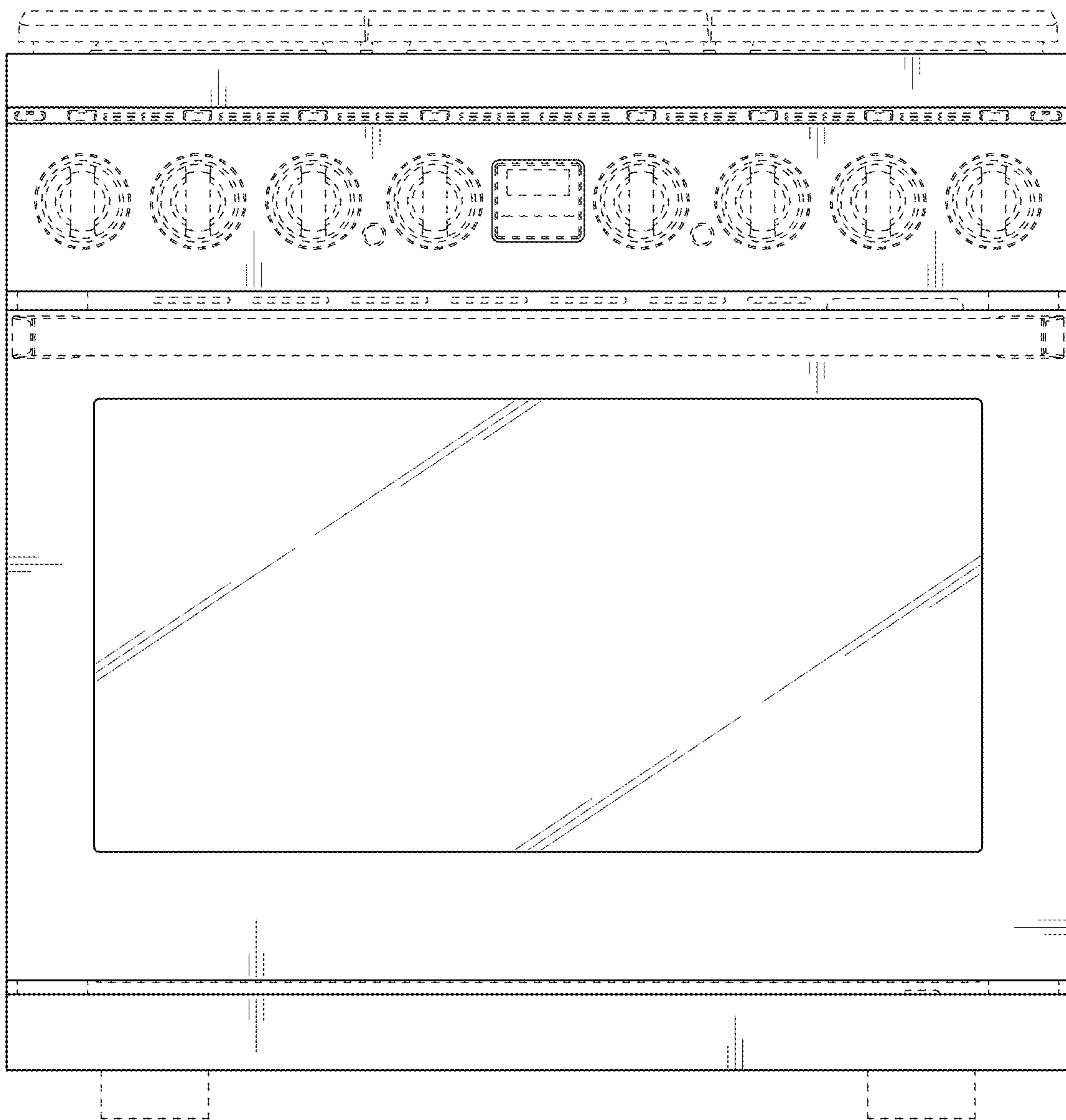


FIG. 3

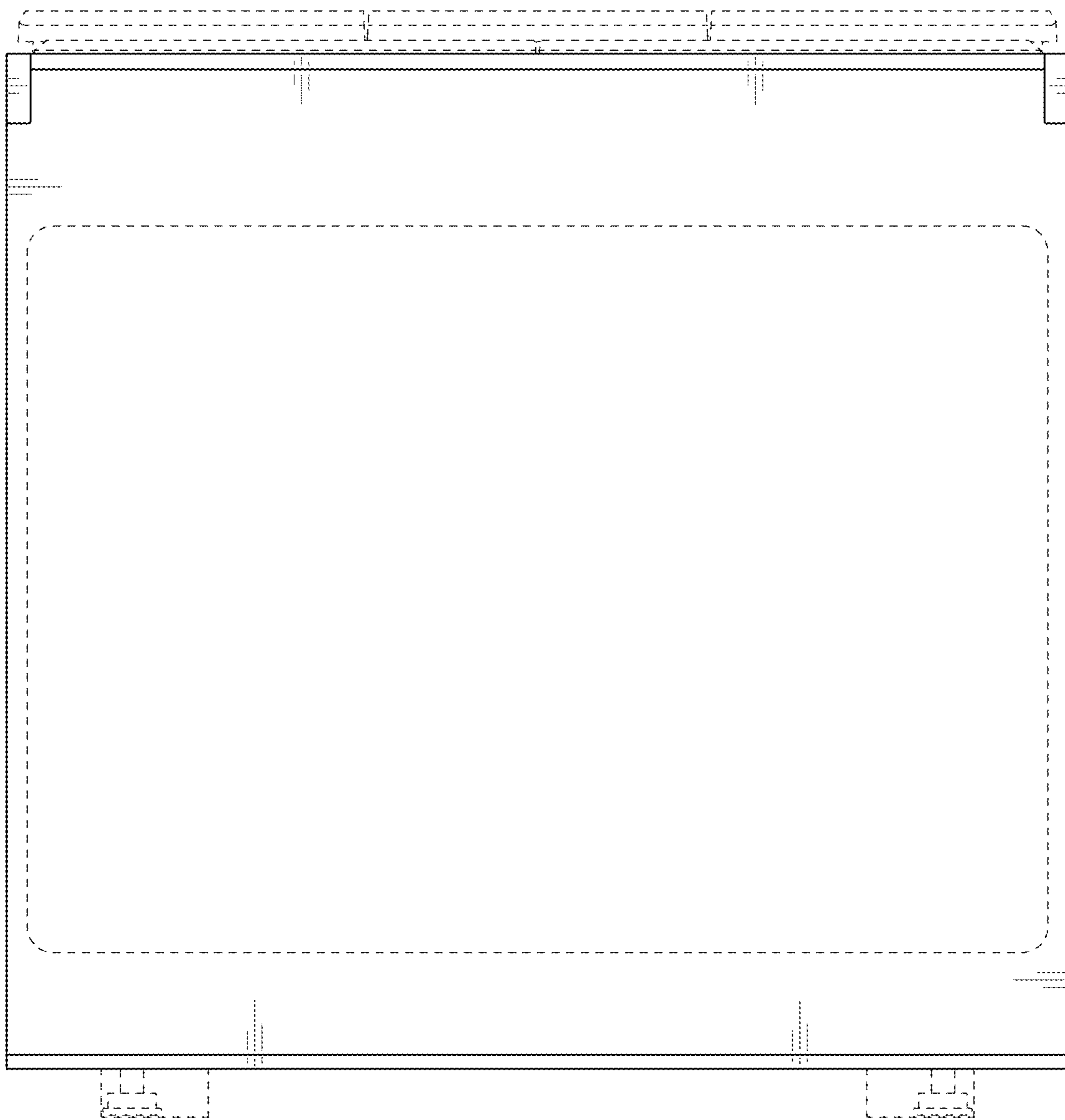


FIG. 4

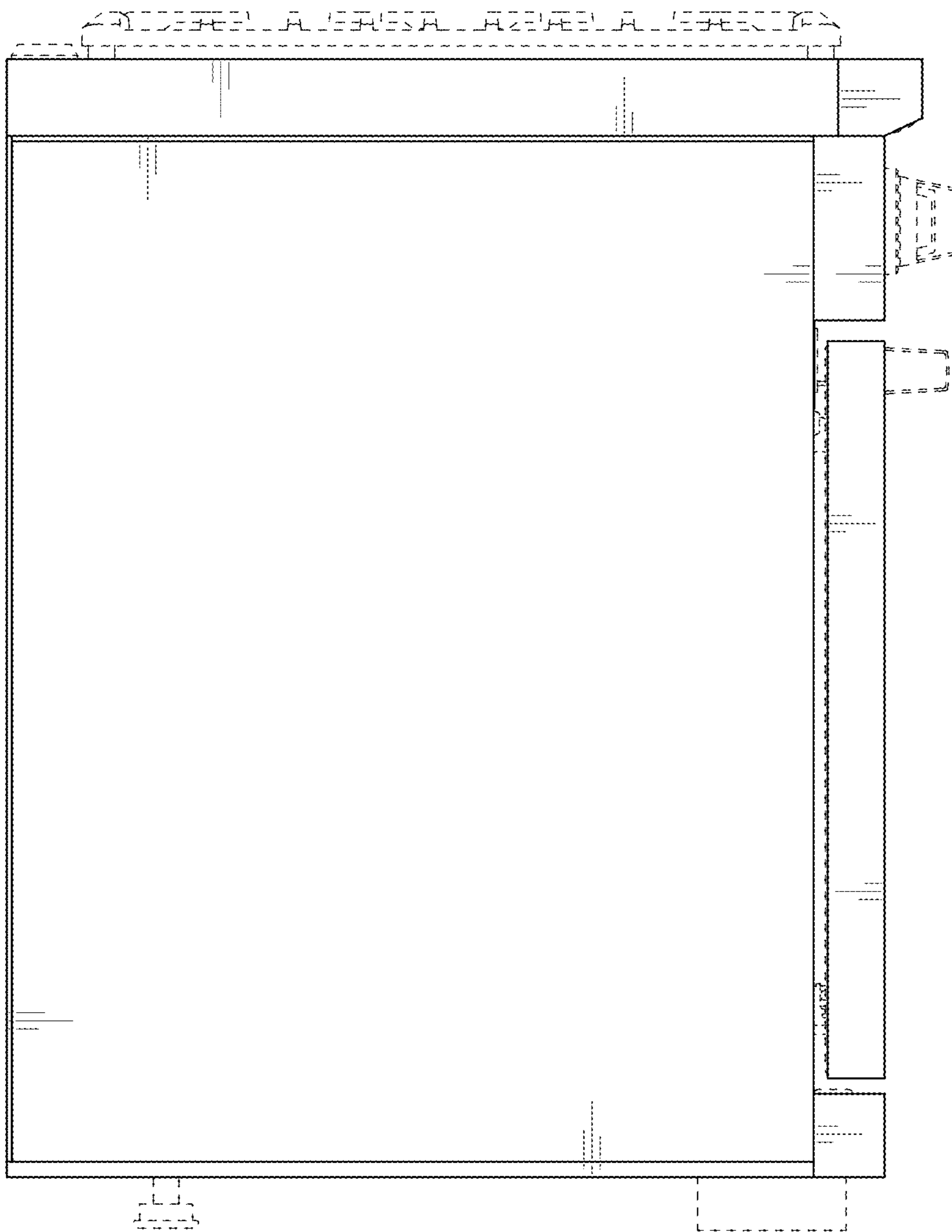


FIG. 5

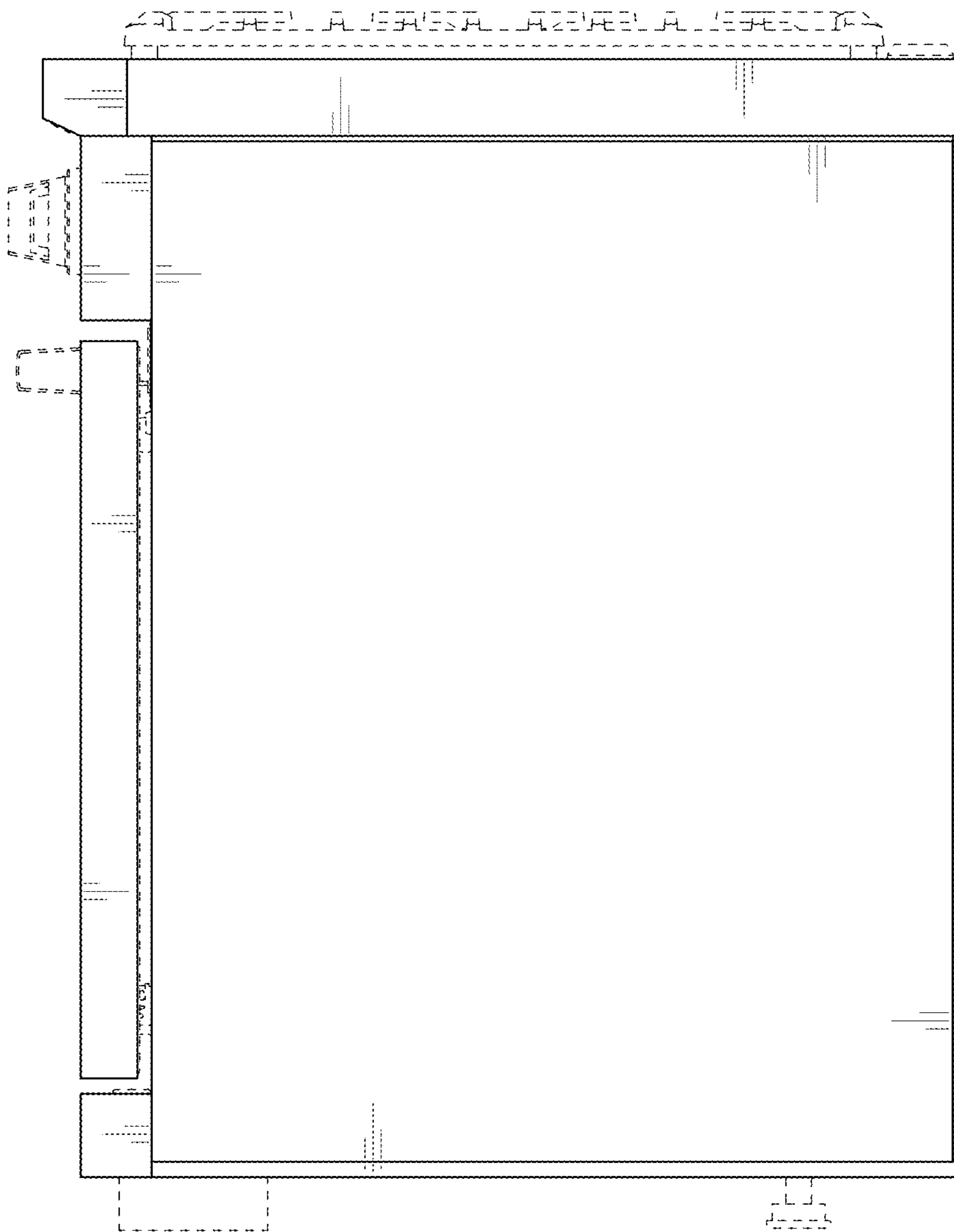


FIG. 6

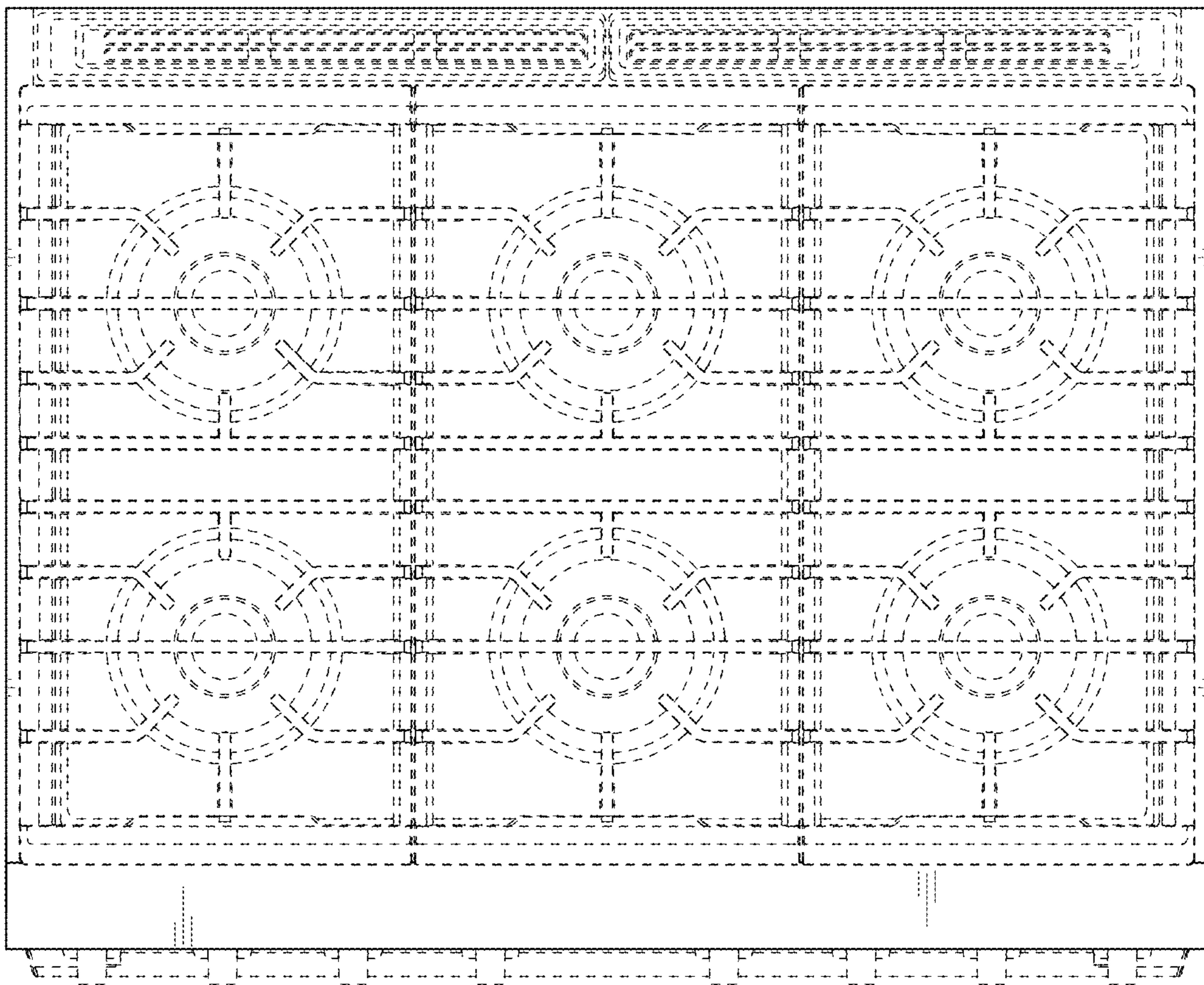


FIG. 7

