

US00D893229S

(12) **United States Design Patent**
Borgenhov et al.

(10) **Patent No.:** **US D893,229 S**

(45) **Date of Patent:** **** Aug. 18, 2020**

(54) **BACKREST OF A CHAIR**

(71) Applicant: **Flokk AS**, Oslo (NO)

(72) Inventors: **Aleksander Borgenhov**, Oslo (NO);
Leif Verdu-Isachsen, Oslo (NO)

(73) Assignee: **Flokk AS**, Oslo (NO)

(**) Term: **15 Years**

(21) Appl. No.: **29/636,023**

(22) Filed: **Feb. 5, 2018**

(51) **LOC (12) Cl.** **06-06**

(52) **U.S. Cl.**
USPC **D6/716.4**

(58) **Field of Classification Search**

USPC ... D6/365, 366, 716, 356, 364, 716.4, 716.7
CPC A47C 7/02; A47C 7/40; A47C 7/44; A47C
7/46; A47C 7/445; A47C 31/023; B60N
2/0284; B60N 2/062; B60N 2/24; B60N
2/58; B60N 2/64; B60N 2/68; B60N
2/80; B60N 2/99; B60N 2/245; B60N
2/643; B60N 2/646; B60N 2/665; B60N
2/686; B60N 2/688; B60N 2/803; B60N
2/986; B60N 2/914; B60N 2/995; B60R
22/001; F16B 2/08; F16B 45/00

See application file for complete search history.

(56) **References Cited**

U.S. PATENT DOCUMENTS

D540,080 S * 4/2007 Su D6/366
7,537,553 B2 * 5/2009 Mongelluzzo A47C 9/002
482/121

8,029,066 B2 * 10/2011 Su A47C 31/023
297/440.11
D662,330 S * 6/2012 Tanaka D6/366
D671,759 S * 12/2012 Hurford D6/366
D701,068 S * 3/2014 Usumoto D6/366
D709,312 S * 7/2014 Giugiaro D6/716.4
D793,141 S * 8/2017 Igarashi D6/716.4
D809,842 S * 2/2018 Su D6/716.4

* cited by examiner

Primary Examiner — Kevin K Rudzinski

Assistant Examiner — Paul D Bohannon

(74) *Attorney, Agent, or Firm* — Kolisch Hartwell, P.C.

(57) **CLAIM**

The ornamental design for a backrest of a chair, as shown.

DESCRIPTION

The patent or application file contains at least one drawing executed in color. Copies of this patent or patent application publication with color drawing(s) will be provided by the Office upon request and payment of the necessary fee.

FIG. 1 is an upper, front, and left side perspective view of a backrest of a chair showing the new design;

FIG. 2 is a lower, rear, and right side perspective view thereof;

FIG. 3 is a front elevation view thereof;

FIG. 4 is a left side elevation view thereof;

FIG. 5 is a rear elevation view thereof;

FIG. 6 is a right side elevation view thereof;

FIG. 7 is a top plan view thereof; and,

FIG. 8 is a bottom plan view thereof.

1 Claim, 5 Drawing Sheets
(5 of 5 Drawing Sheet(s) Filed in Color)





Fig. 1

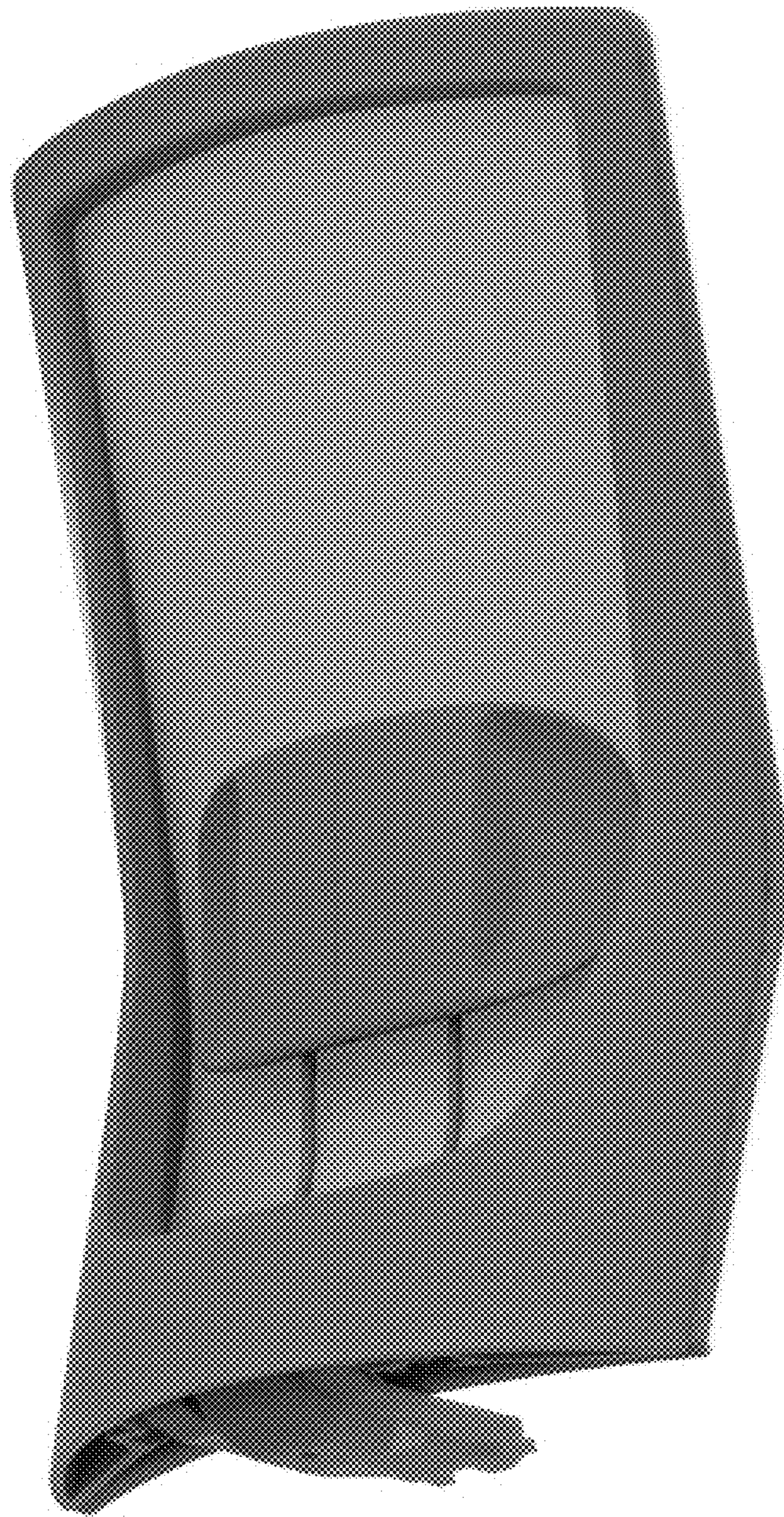


Fig. 2

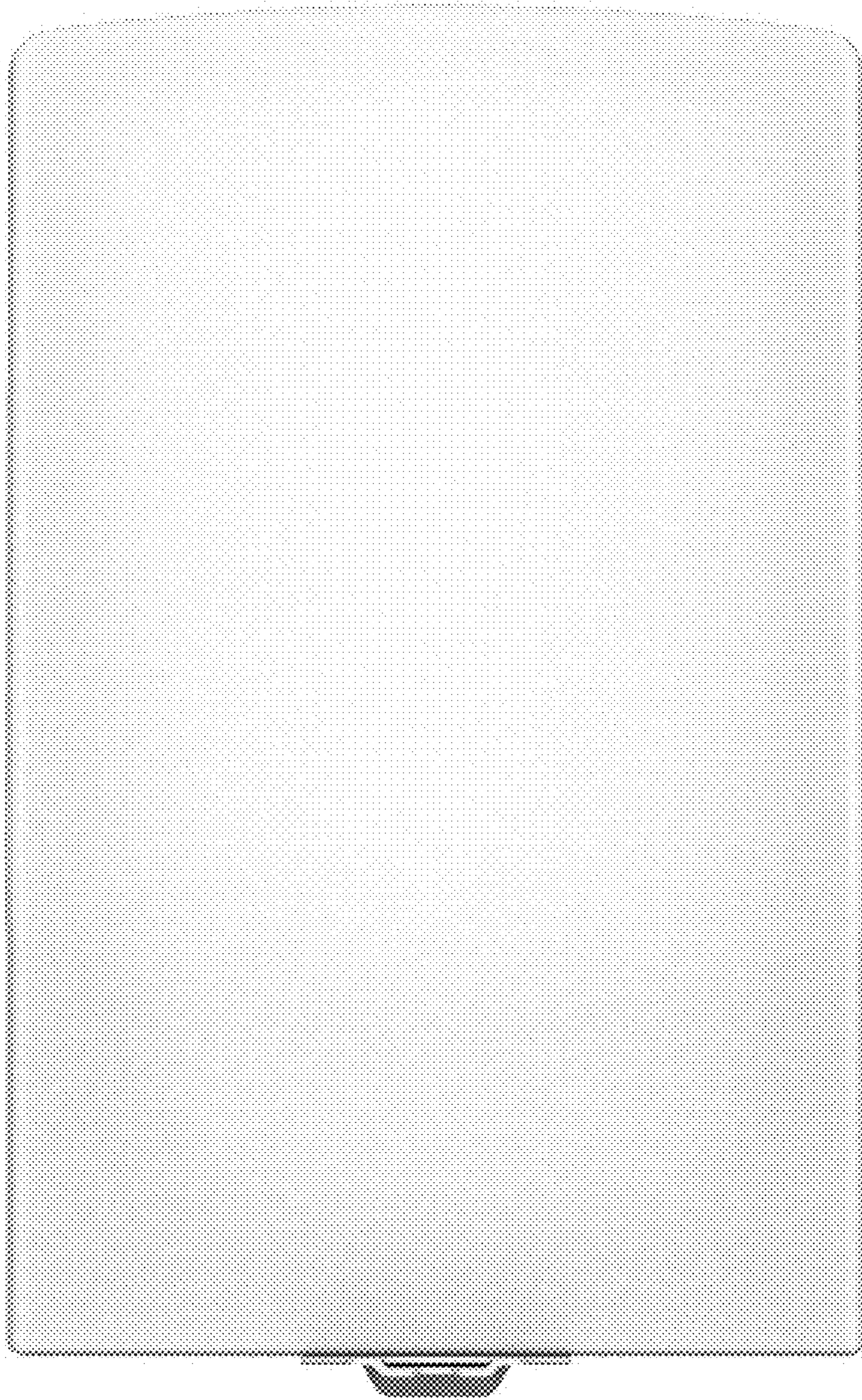


Fig. 3

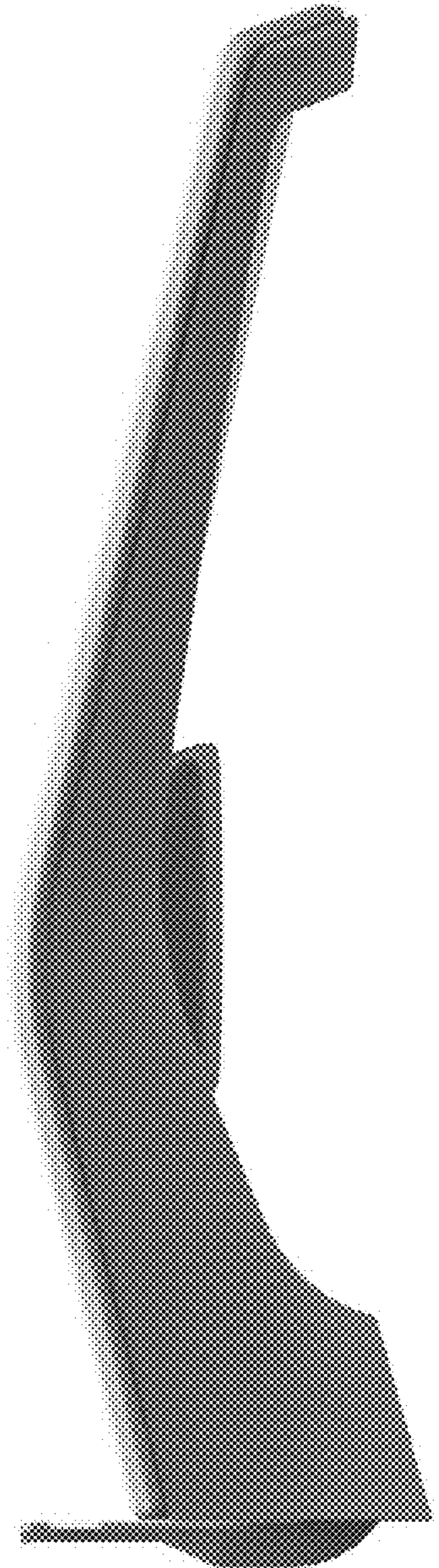


Fig. 4

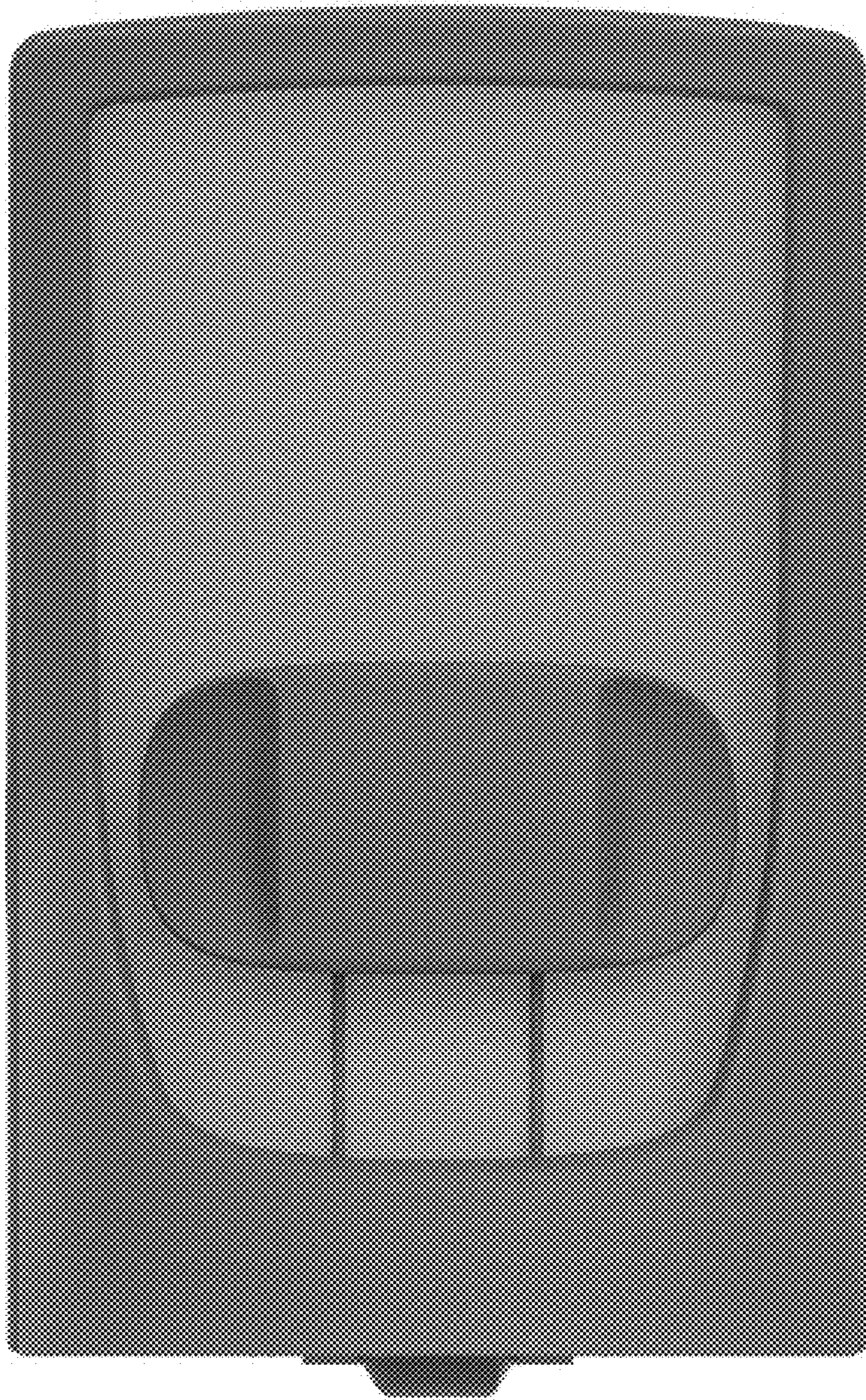


Fig. 5

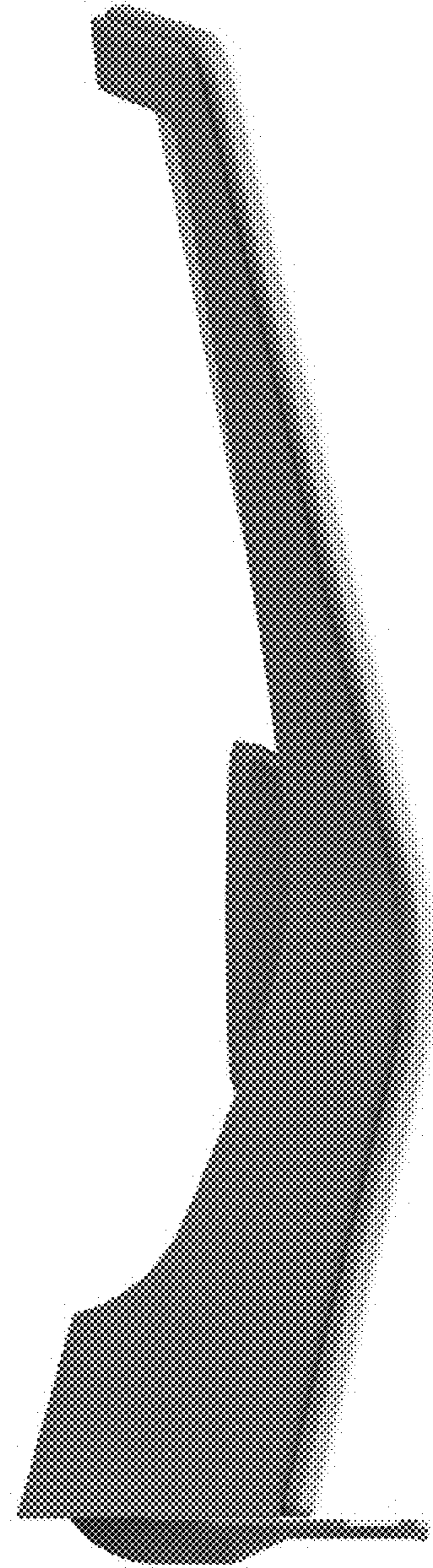


Fig. 6

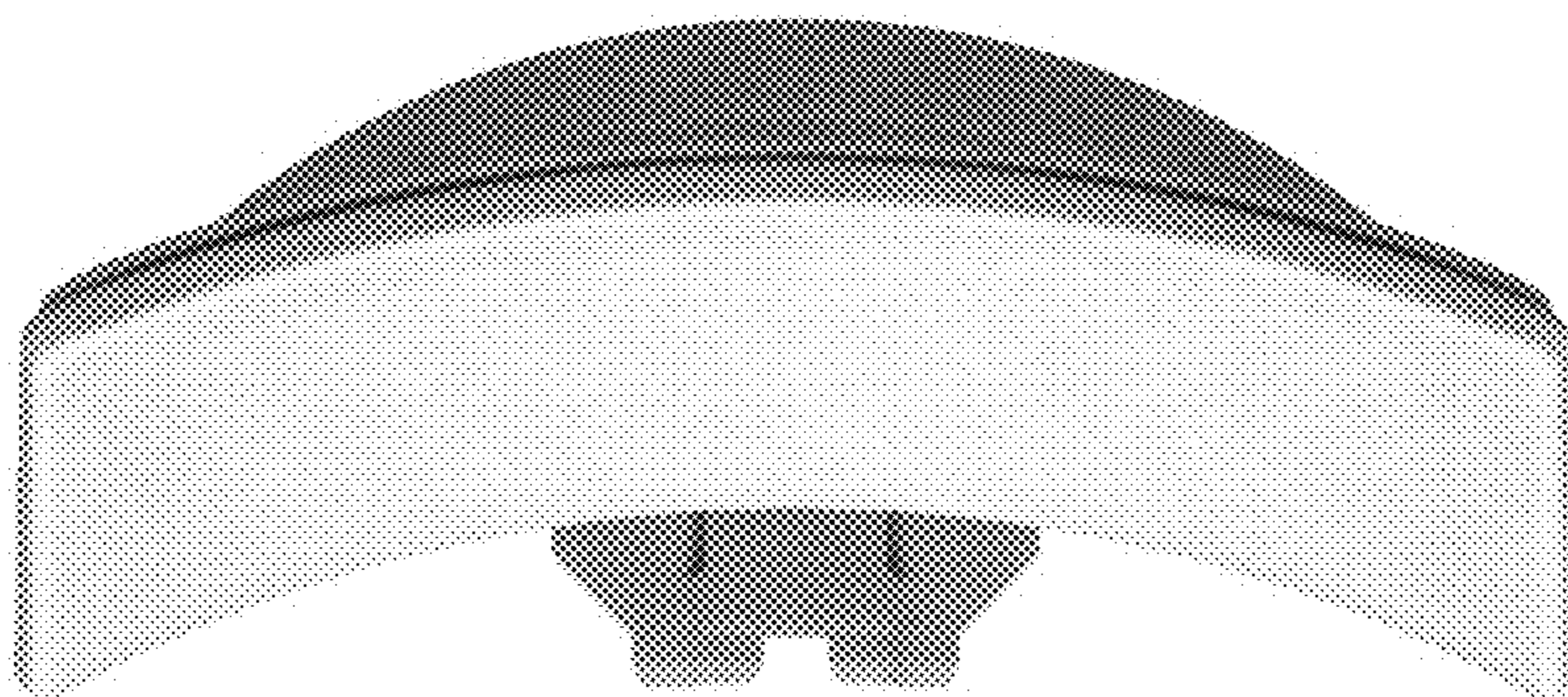


Fig. 7

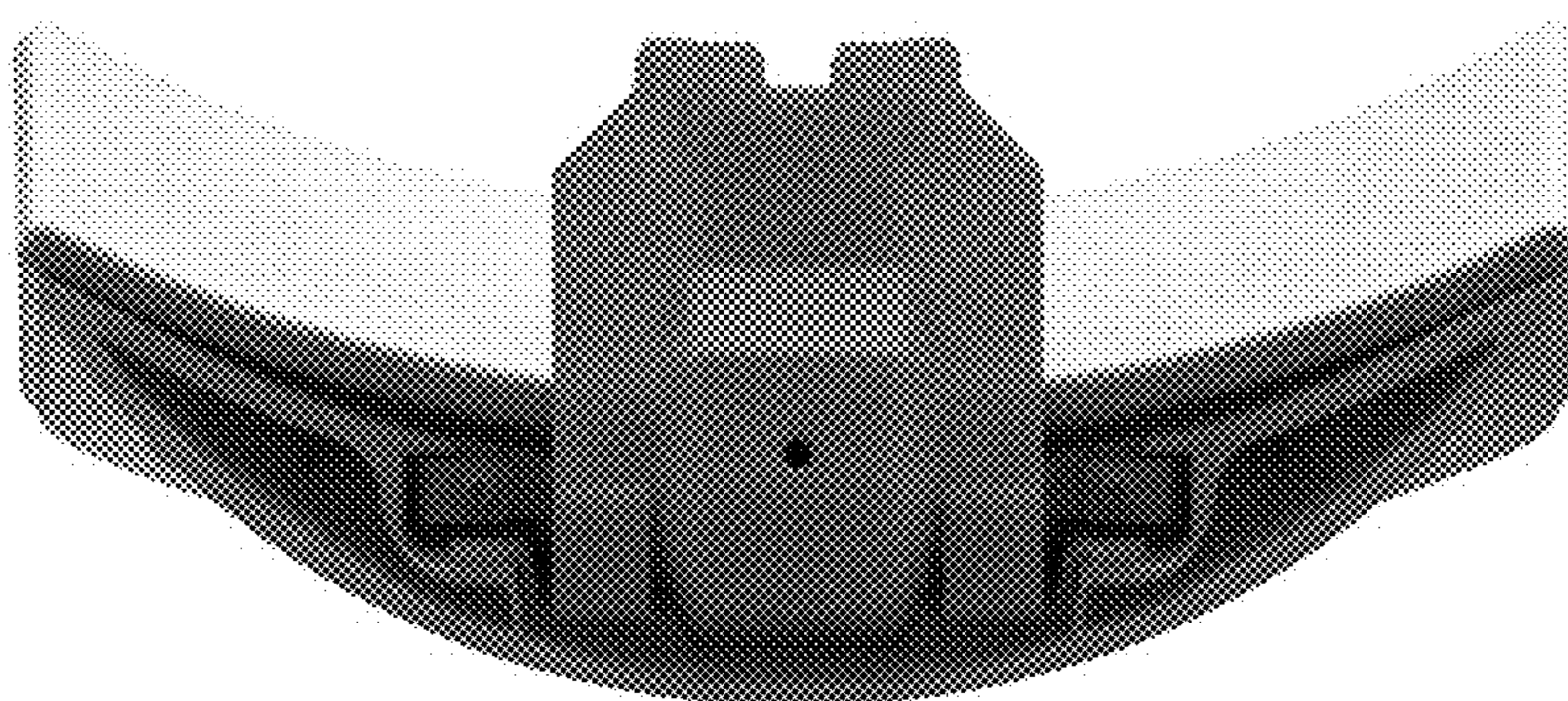


Fig. 8