

US00D893228S

(12) **United States Design Patent**
Goshorn

(10) **Patent No.:** **US D893,228 S**

(45) **Date of Patent:** **** Aug. 18, 2020**

- (54) **BENCH**
- (71) Applicant: **Ray Michael Goshorn**, Prince Frederick, MD (US)
- (72) Inventor: **Ray Michael Goshorn**, Prince Frederick, MD (US)
- (**) Term: **15 Years**
- (21) Appl. No.: **29/689,823**
- (22) Filed: **May 2, 2019**
- (51) **LOC (12) Cl.** **06-01**
- (52) **U.S. Cl.**
USPC **D6/716**
- (58) **Field of Classification Search**
USPC D6/334, 349, 369, 374–376, 379–382, D6/711, 708.16, 716, 716.1
CPC A47C 3/04; A47C 3/12; A47C 5/04; A47C 5/12; A47C 5/14; A47C 7/02; A47C 7/16; A47C 7/18; A47C 7/24; A47C 11/00; A47C 15/002; A47C 17/02
See application file for complete search history.

D468,550 S	1/2003	Pappas	
D486,004 S *	2/2004	Haney	A47C 11/00 D6/379
D486,664 S	2/2004	Pappas	
D491,739 S	6/2004	Pappas	
D498,078 S	11/2004	Messier	
7,188,380 B1 *	3/2007	Wang	A47C 11/00 5/279.1
D551,874 S	10/2007	Pappas	
D552,370 S	10/2007	Ketcherside et al.	
D559,569 S	1/2008	Pappas	
D562,034 S *	2/2008	Pappas	D6/708.16
D562,035 S	2/2008	Pappas	
D578,808 S	10/2008	Pappas	
D590,610 S	4/2009	Pappas	
D590,621 S	4/2009	Pappas	
D625,117 S *	10/2010	Houriet	D6/375
D633,975 S *	3/2011	Milne	D21/802
D722,444 S *	2/2015	Lee	D6/336
D811,764 S *	3/2018	Lin	D6/376

* cited by examiner

Primary Examiner — R. Johnson
(74) *Attorney, Agent, or Firm* — Dunlap, Bennett & Ludwig PLLC

(57) **CLAIM**

The ornamental design for a bench, as shown and described.

DESCRIPTION

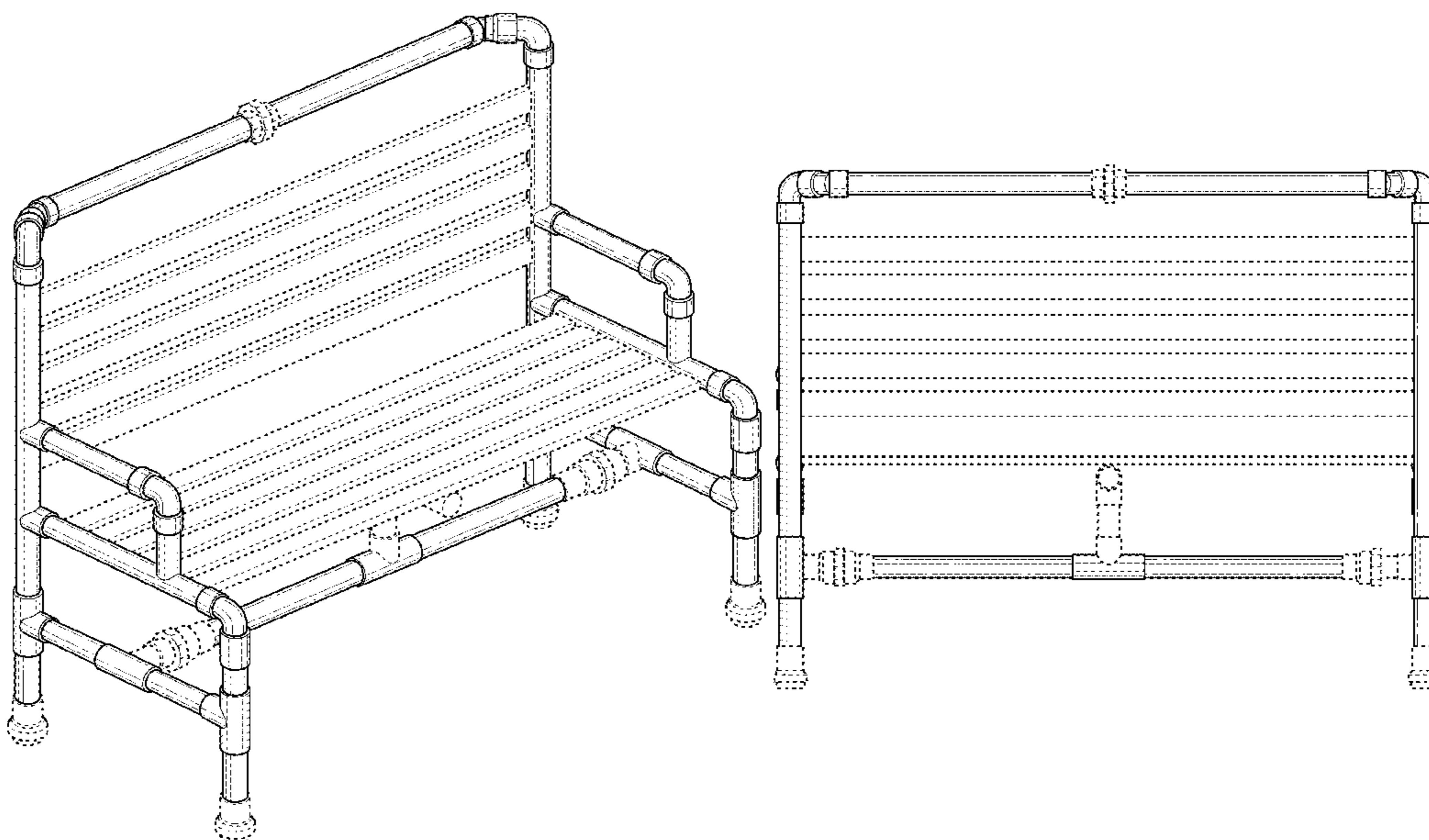
FIG. 1 is a perspective view of a bench, showing my new design;
FIG. 2 is a front elevation view thereof;
FIG. 3 is a rear elevation view thereof;
FIG. 4 is a right-side elevation view thereof;
FIG. 5 is a left-side elevation view thereof;
FIG. 6 is a top plan view thereof; and,
FIG. 7 is a bottom plan view thereof.
The broken lines shown in the drawings depict portions of the bench that form no part of the claimed design.

1 Claim, 4 Drawing Sheets

(56) **References Cited**

U.S. PATENT DOCUMENTS

2,470,525 A *	5/1949	Schultheis	A47C 17/02 297/452.2
D322,896 S	1/1992	Sawtelle	
D330,465 S	10/1992	Balmori	
D343,530 S	1/1994	Sawtelle	
D355,783 S	2/1995	Noll	
D358,263 S *	5/1995	Yoder, Jr.	D6/370
D386,012 S	11/1997	Skalka	
D388,640 S *	1/1998	Burgin	D6/390
D406,701 S	3/1999	Slear	
D408,643 S *	4/1999	Edwards	D6/373
D412,793 S *	8/1999	Neubauer, Jr.	D6/336
D458,044 S	6/2002	Slear et al.	
D466,708 S	12/2002	Chau	



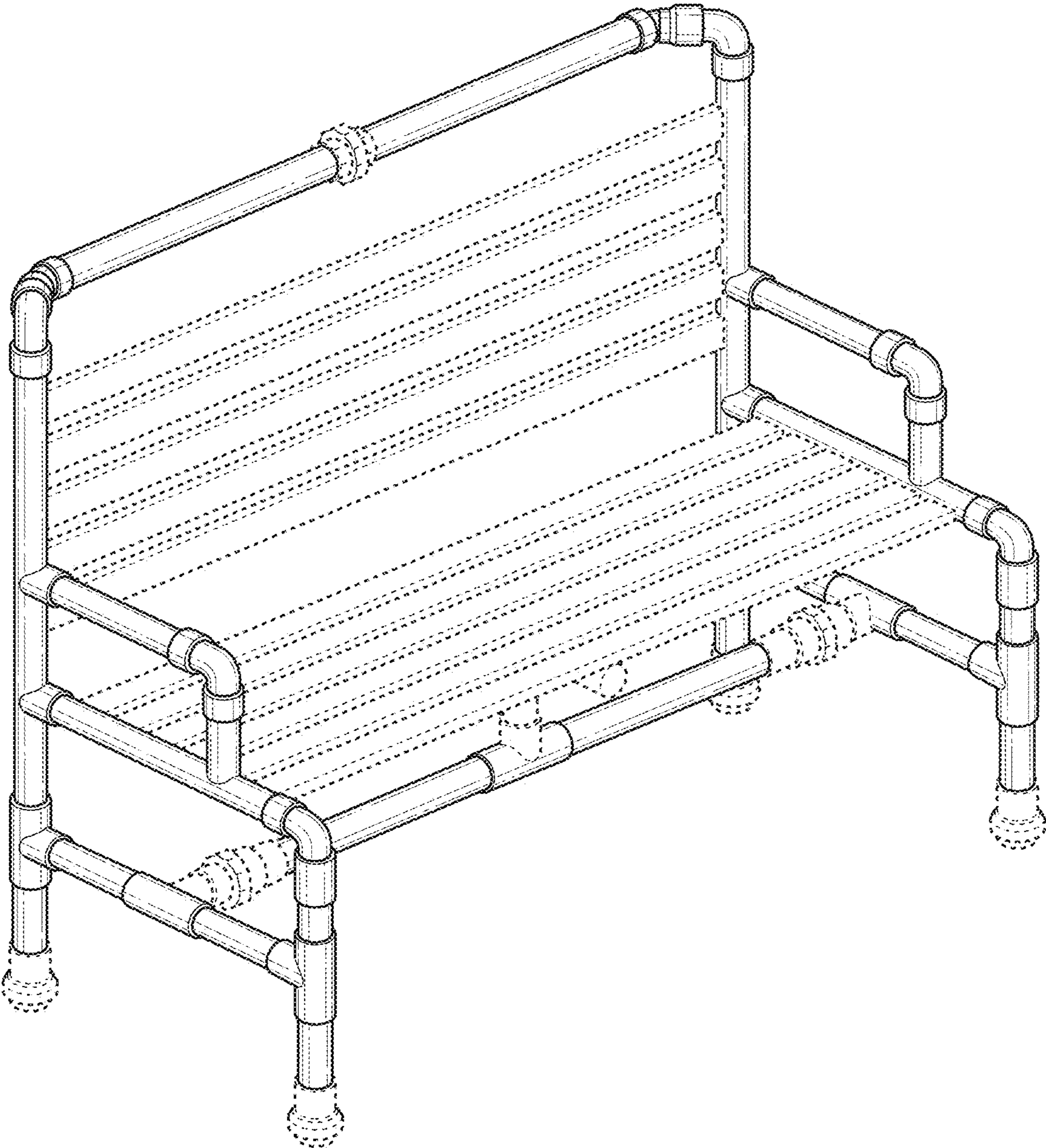


FIG. 1

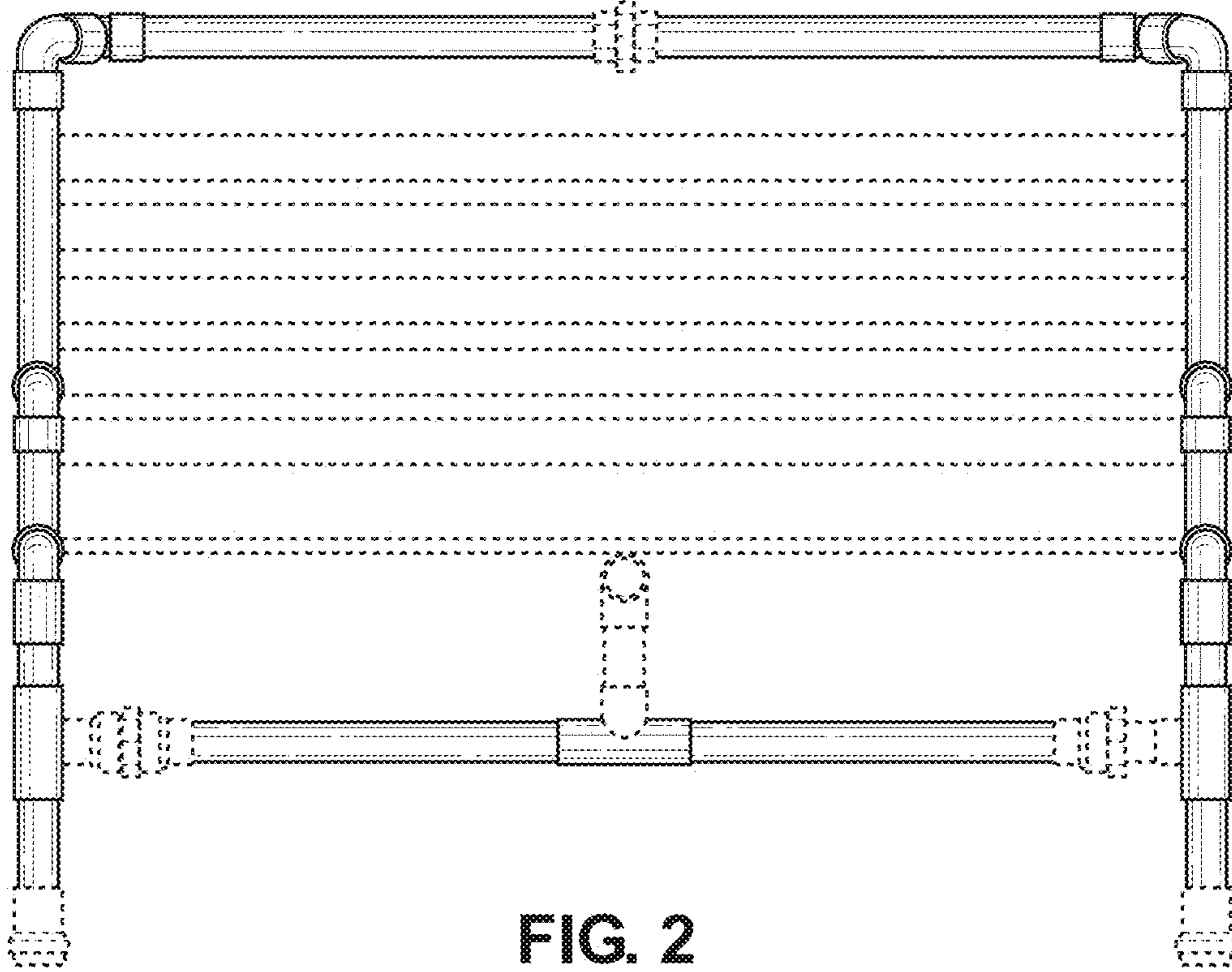


FIG. 2

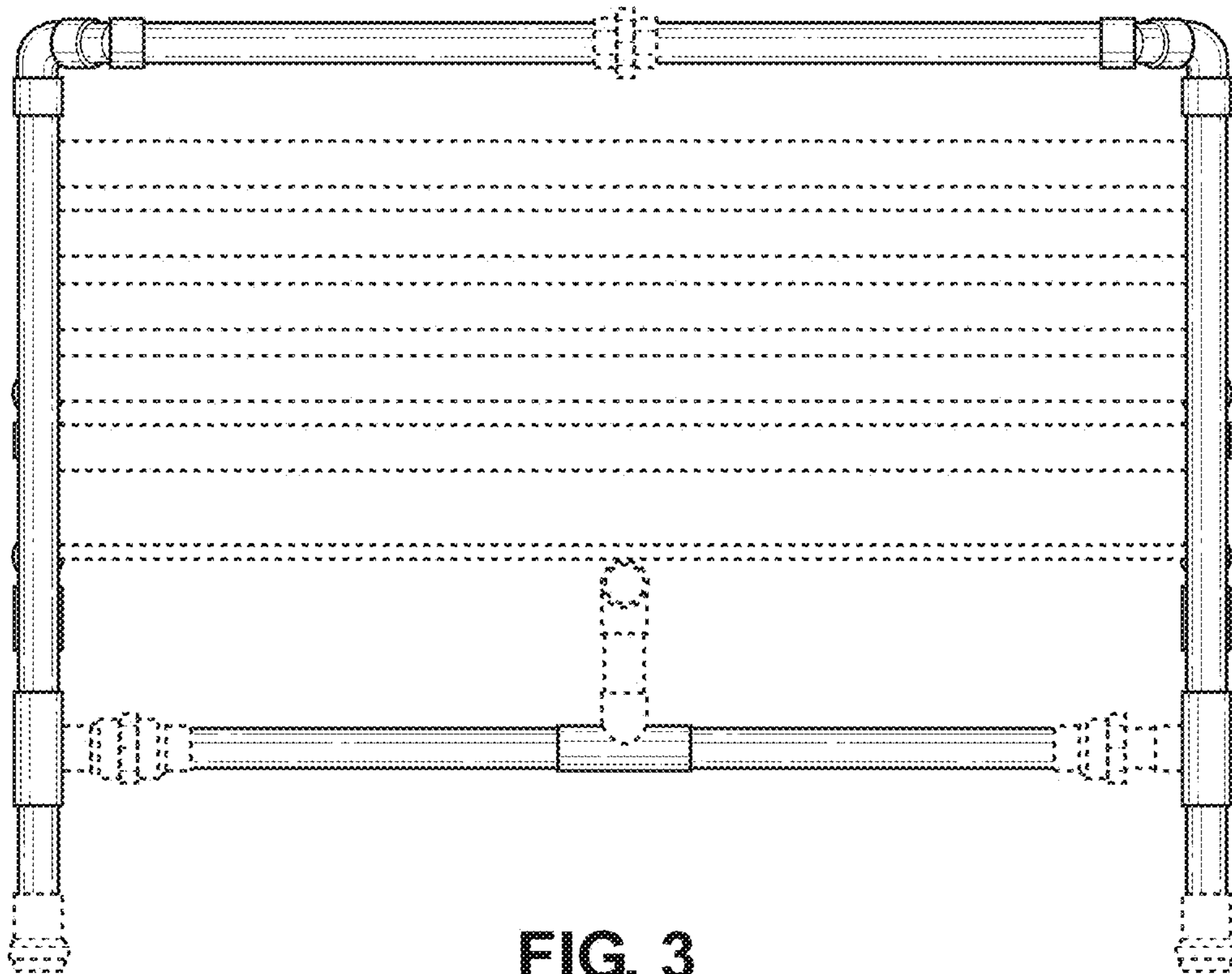


FIG. 3

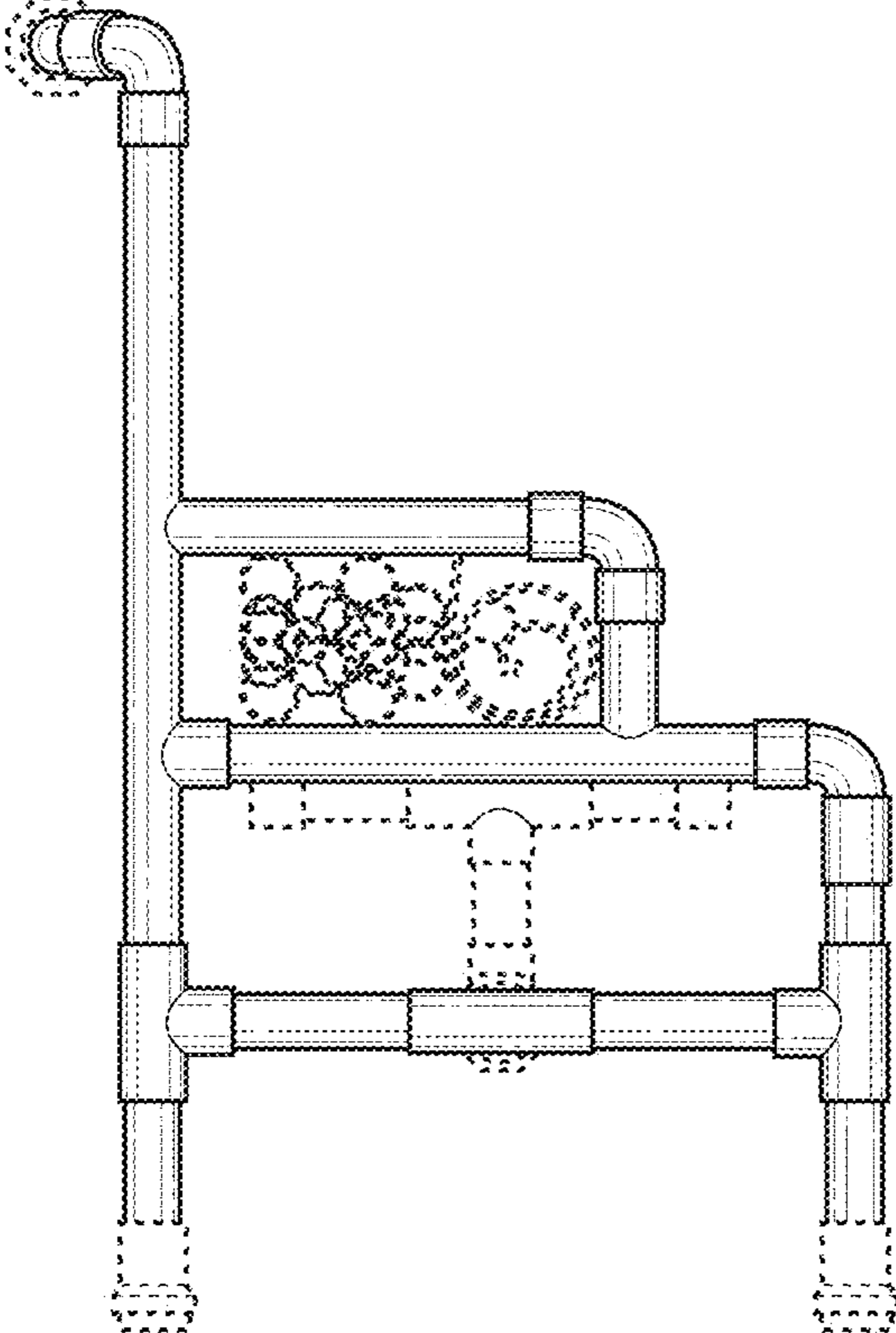


FIG. 4

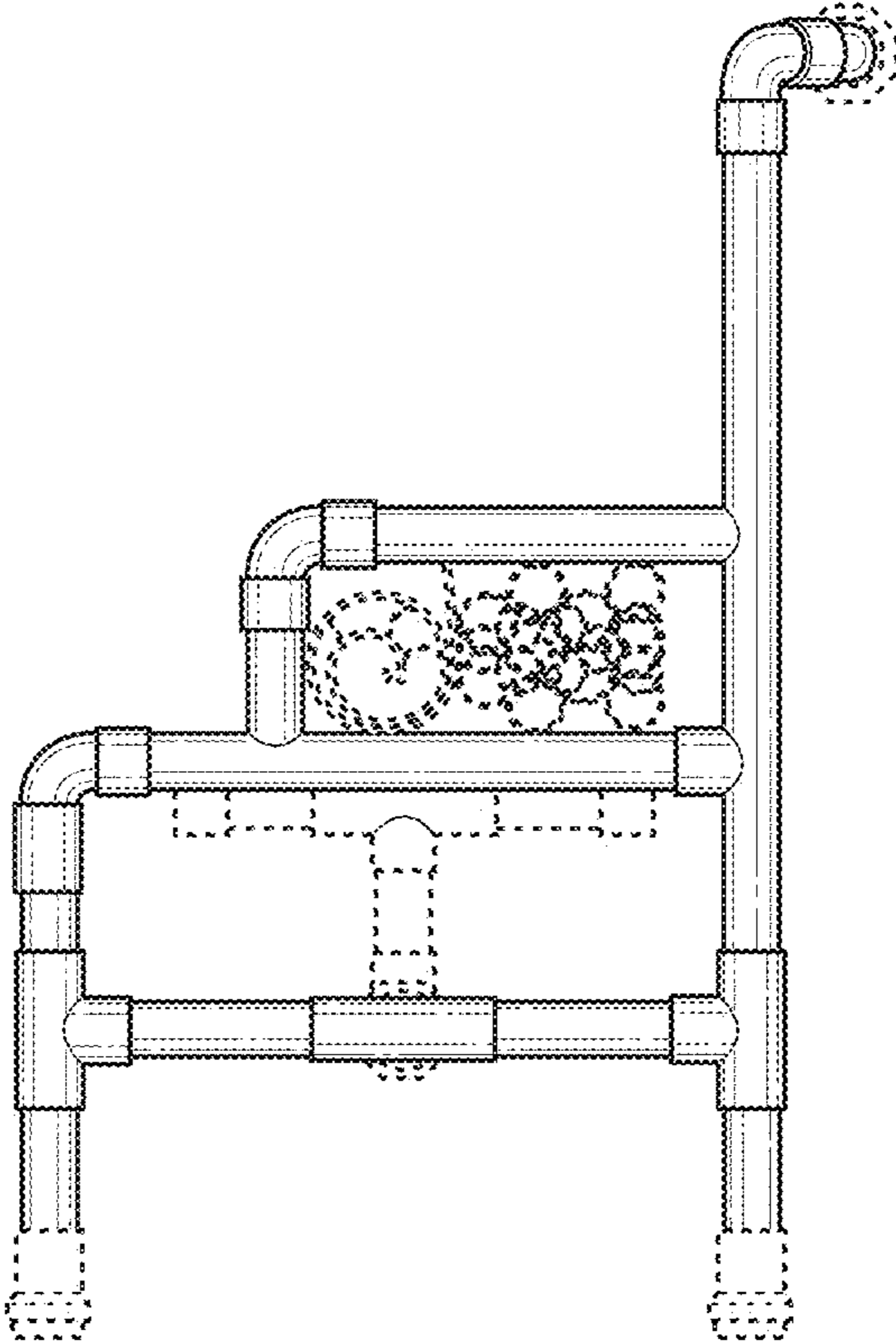


FIG. 5

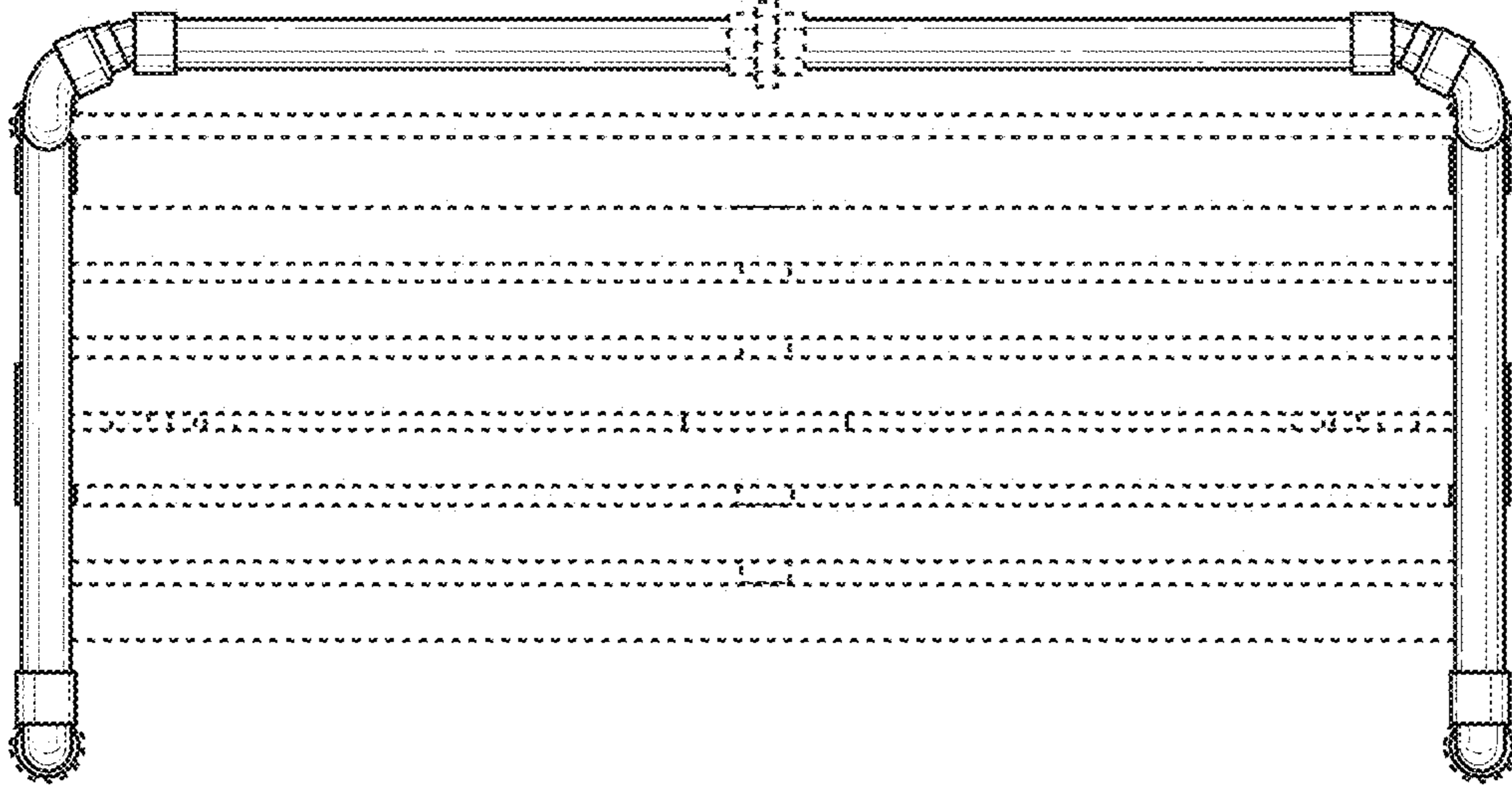


FIG. 6

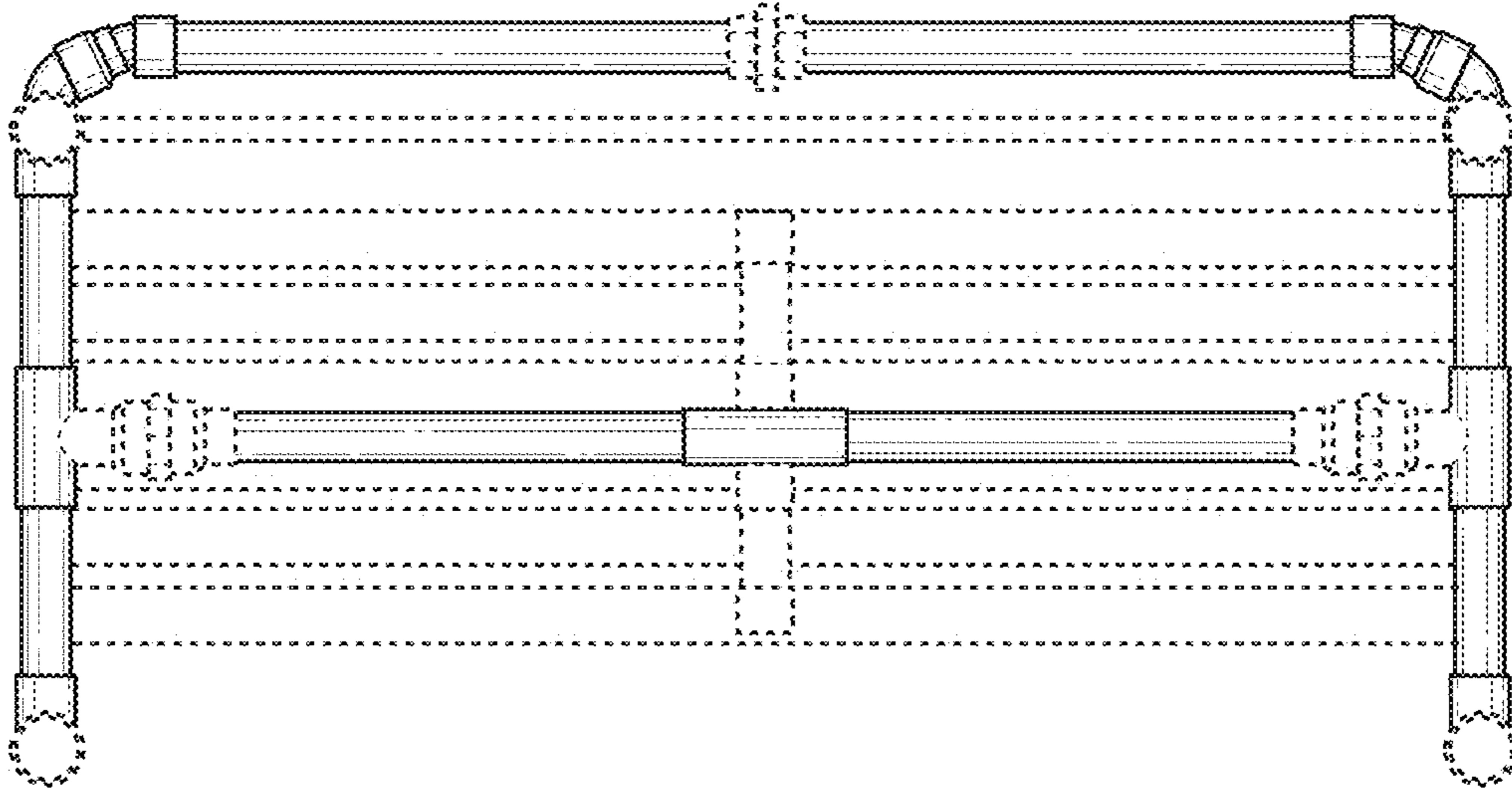


FIG. 7