

US00D893225S

(12) **United States Design Patent** (10) **Patent No.:** **US D893,225 S**
Everson et al. (45) **Date of Patent:** **** Aug. 18, 2020**

(54) **DINING TABLE**

(56) **References Cited**

- (71) Applicant: **Ashley Furniture Industries, Inc.**,
Arcadia, WI (US)
- (72) Inventors: **Terry Everson**, Blair, WI (US); **Randy Domack**, Holmen, WI (US); **Craig Bacon**, Trempealeau, WI (US)
- (73) Assignee: **ASHLEY FURNITURE INDUSTRIES, INC.**, Arcadia, WI (US)
- (**) Term: **15 Years**
- (21) Appl. No.: **29/687,870**
- (22) Filed: **Apr. 16, 2019**

U.S. PATENT DOCUMENTS

D84,439 S *	6/1931	Purnell	D6/691.9
D420,528 S *	2/2000	Gesing	D6/657
D444,313 S *	7/2001	Hutton	D6/691
D459,612 S *	7/2002	Vaaler	D6/691.3
D462,850 S *	9/2002	Cain	D6/657
D536,551 S *	2/2007	Domack	D6/642
D546,503 S *	7/2007	Kreiss	D6/653
D669,704 S *	10/2012	Zambelli	D6/657
D784,734 S *	4/2017	Weyts	D6/655.1
D823,621 S *	7/2018	Everson	D6/691.9

(Continued)

Related U.S. Application Data

- (63) Continuation of application No. 29/657,647, filed on Jul. 24, 2018, now Pat. No. Des. 845,685, which is a continuation of application No. 29/600,173, filed on Apr. 10, 2017, now Pat. No. Des. 823,621.
- (51) **LOC (12) Cl.** **06-03**
- (52) **U.S. Cl.**
USPC **D6/691.9**
- (58) **Field of Classification Search**
USPC D6/641, 657, 685, 689, 690, 691, 691.1, D6/691.2, 691.3, 691.4, 691.5, 691.6, D6/691.7, 691.8, 691.9, 702, 703.1, D6/703.4, 707.15
CPC .. A47B 37/00; A47B 3/00; A47B 1/00; A47B 3/06; A47B 3/08; A47B 7/00; A47B 21/00; A47B 23/00; A47B 25/00; A47B 13/08; A47B 3/083; A47B 3/14; A47B 41/00; A47B 17/00; A47B 3/0809; A47B 3/0812; A47B 2013/026; A47B 2200/03; A47B 2200/00; A47B 2003/0821; A47C 3/045

See application file for complete search history.

OTHER PUBLICATIONS

Alfurniture, posted at Images.furnituredealer.net, posted on Oct. 28, 2016, site visited Nov. 20, 2019. online, available from internet: https://images.furnituredealer.net/img/products%2Fsignature_design_by_ashley%2Fcolor%2Fbolanburg_d647-25-m1.jpg (Year: 2016).*

Primary Examiner — Mary Ann Calabrese
Assistant Examiner — Catherine Ho
(74) *Attorney, Agent, or Firm* — McAndrews, Held & Malloy, Ltd.

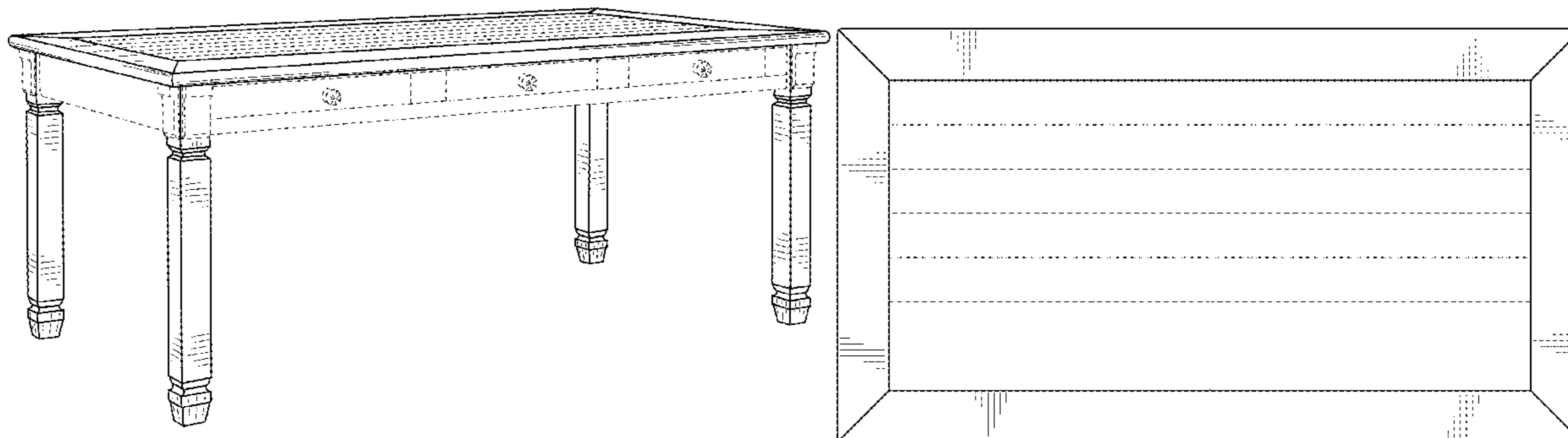
(57) **CLAIM**

The ornamental design for a dining table, as shown and described.

DESCRIPTION

FIG. 1 is a front perspective view of a dining table showing our new design;
FIG. 2 is a front elevation view thereof;
FIG. 3 is a rear elevation view thereof;
FIG. 4 is a right side elevation view thereof, the left side elevation view being a mirror image thereof; and,
FIG. 5 is a top plan view thereof.
The dashed broken lines in the figures illustrate portions of the dining table that form no part of the claimed design.

1 Claim, 4 Drawing Sheets



(56)

References Cited

U.S. PATENT DOCUMENTS

D826,601 S *	8/2018	Everson	D6/657
D845,685 S *	4/2019	Everson	D6/691
D848,181 S *	5/2019	Everson	D6/657

* cited by examiner

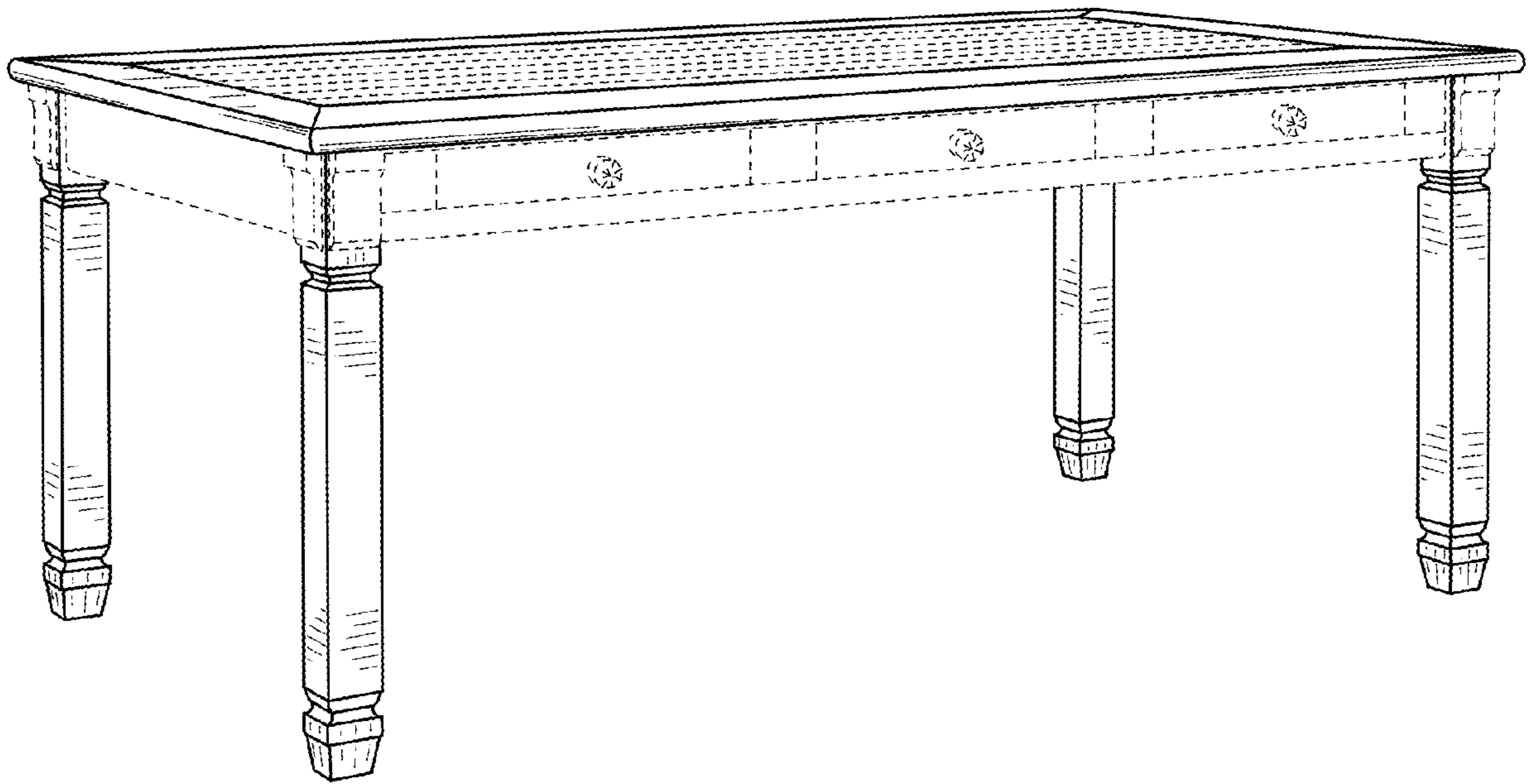


FIG. 1

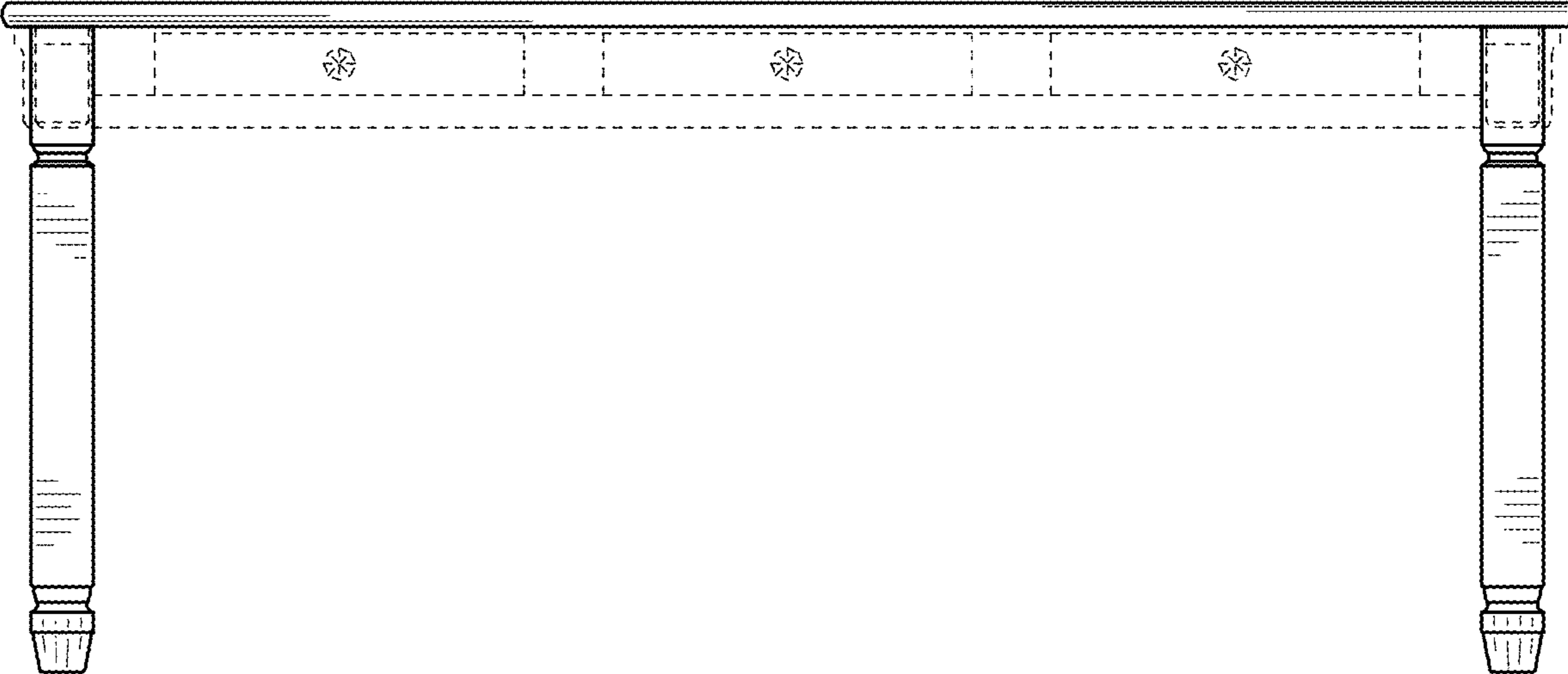


FIG. 2

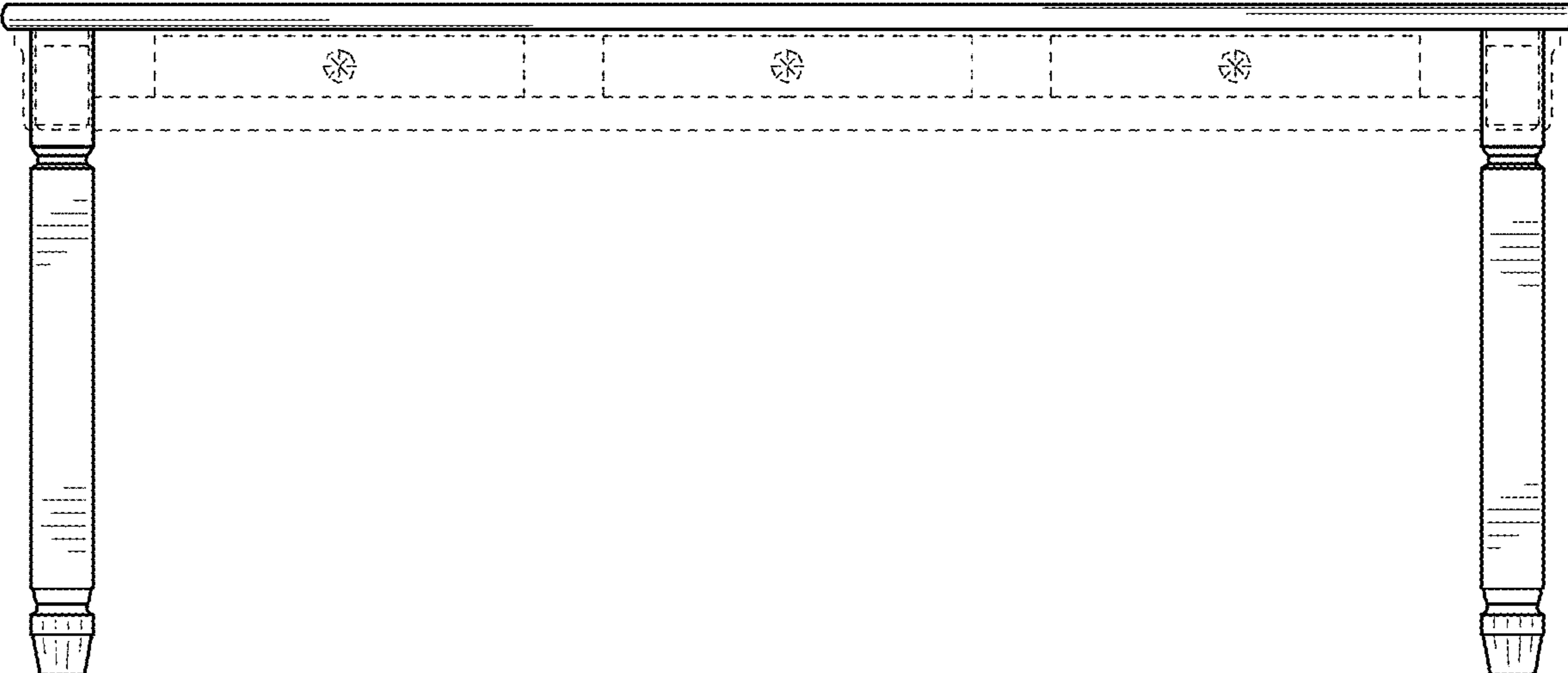


FIG. 3

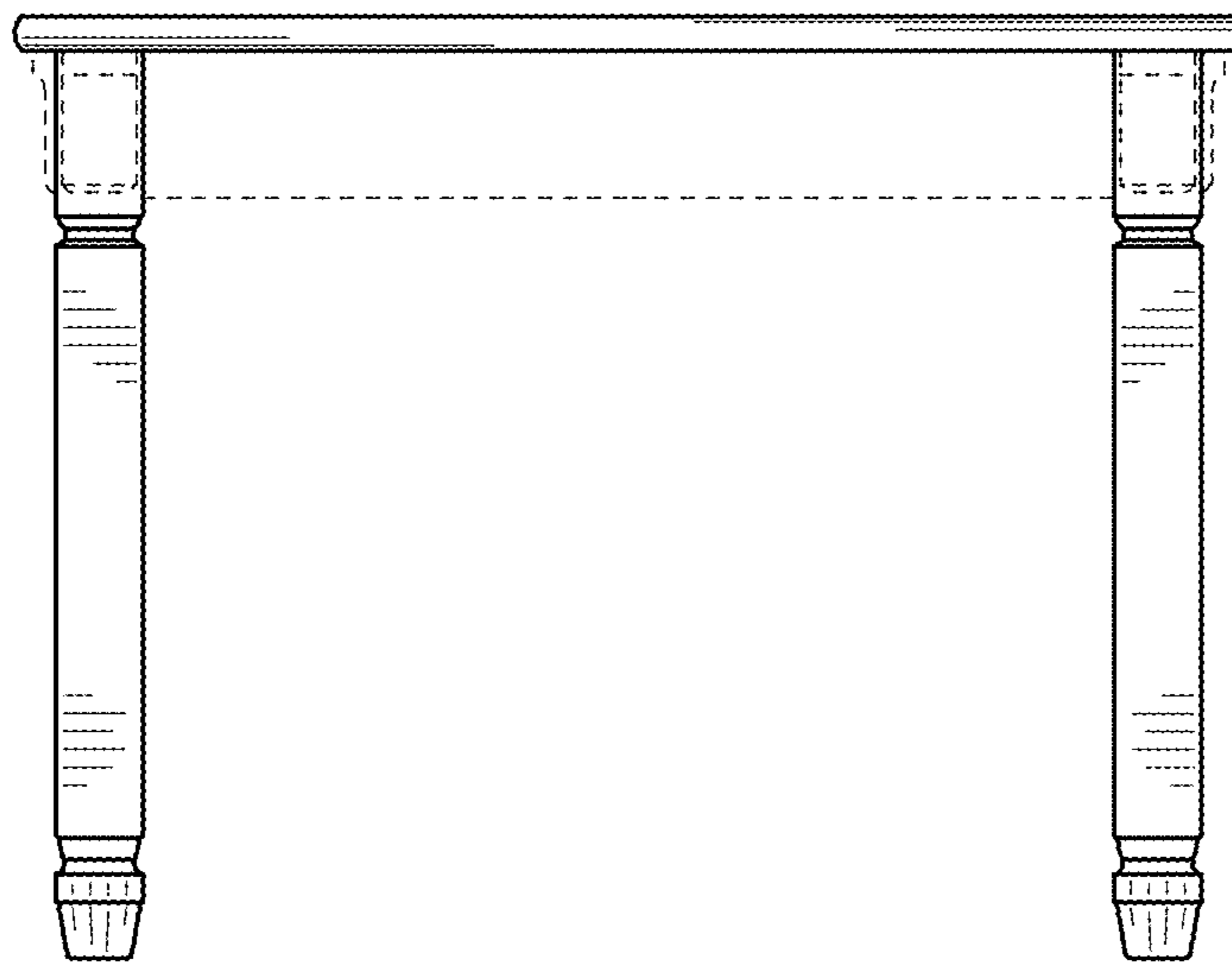


FIG. 4

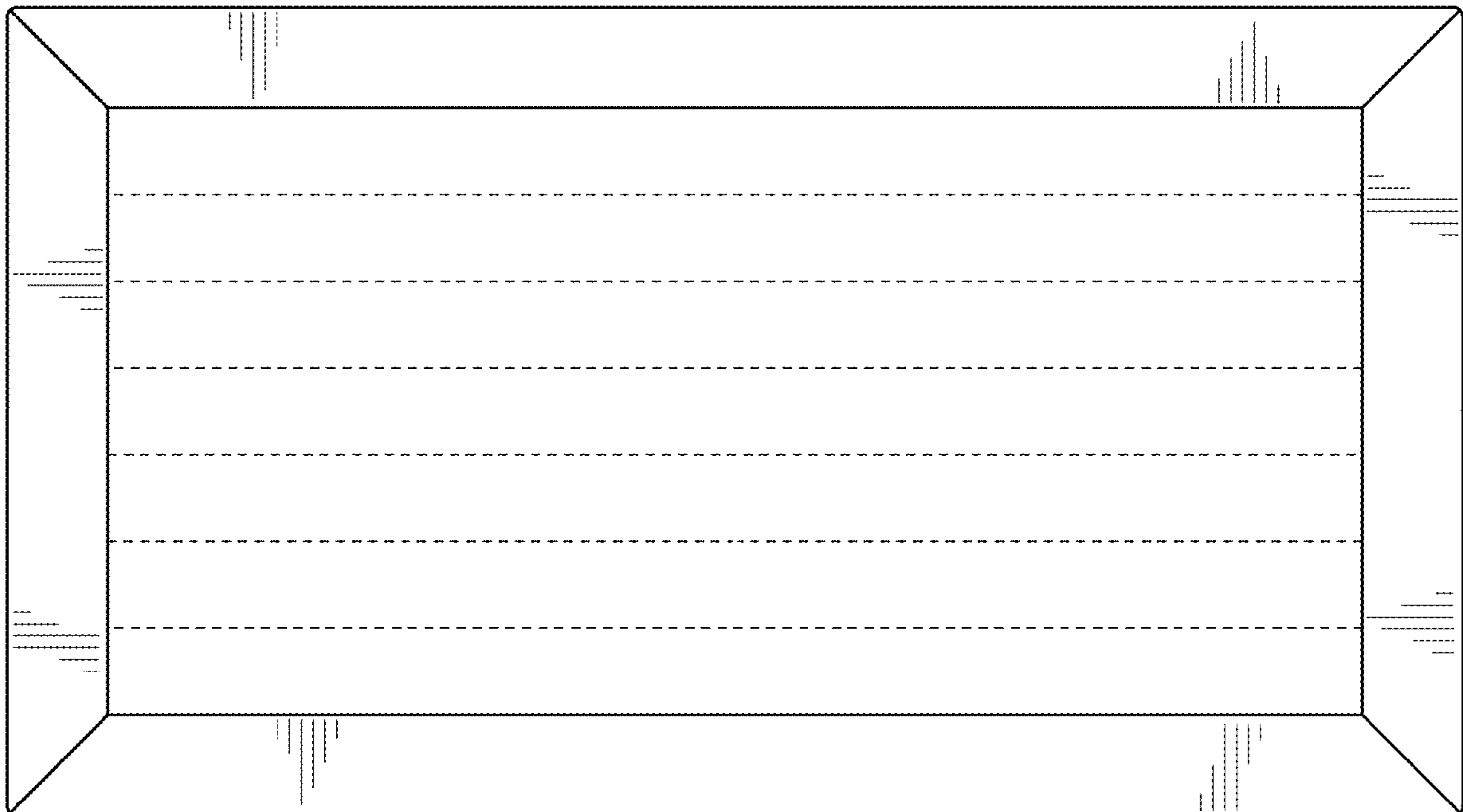


FIG. 5