

US00D893224S

(12) **United States Design Patent**
Sun

(10) **Patent No.:** **US D893,224 S**

(45) **Date of Patent:** **** Aug. 18, 2020**

(54) **FIREPLACE TOOL KIT**

(71) Applicant: **Yuli Sun**, Qingdao (CN)

(72) Inventor: **Yuli Sun**, Qingdao (CN)

(**) Term: **15 Years**

(21) Appl. No.: **29/729,680**

(22) Filed: **Mar. 30, 2020**

(51) **LOC (12) Cl.** **06-06**

(52) **U.S. Cl.**
USPC **D6/682**

(58) **Field of Classification Search**
USPC D6/672, 673, 678, 680, 680.2, 682,
D6/682.3, 682.4; D23/403; D7/637, 641
CPC .. A47F 5/00; A47F 5/04; A47F 5/0006; A47F
5/0018; A47F 5/0081; A47F 5/0087;
A47F 5/02; F16M 13/00; F16M 13/005
See application file for complete search history.

(56) **References Cited**

U.S. PATENT DOCUMENTS

- D13,101 S * 8/1882 Christesen D6/682
- 1,860,925 A * 5/1932 Cranshaw F24B 15/00
211/60.1
- D243,061 S * 1/1977 Coupe D23/403
- D286,477 S * 11/1986 Adams D23/403
- D299,103 S * 12/1988 Diebold D6/682
- D331,671 S * 12/1992 Adams D23/403

- D341,270 S * 11/1993 Adams D23/403
- D559,604 S * 1/2008 DeSena D6/552
- D595,996 S * 7/2009 Cass D7/637
- D677,939 S * 3/2013 Correa D6/680.3
- D701,096 S * 3/2014 Durnell D7/702
- D713,183 S * 9/2014 Robledo D6/682

* cited by examiner

Primary Examiner — Kelley A Donnelly

(74) *Attorney, Agent, or Firm* — ZANIP

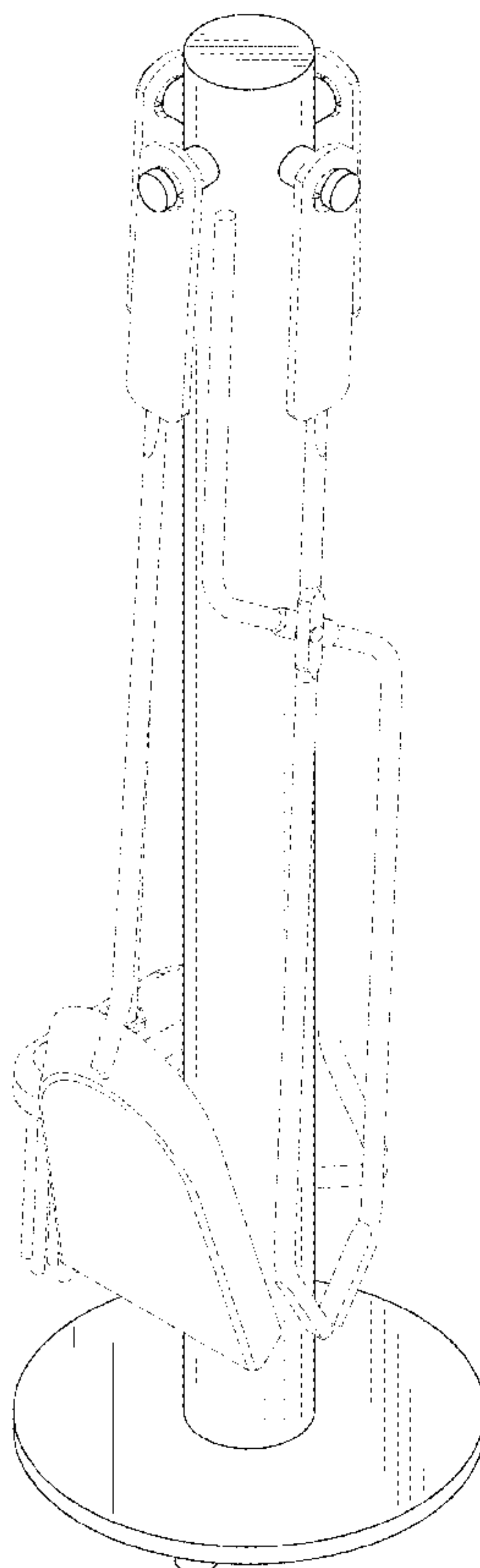
(57) **CLAIM**

The ornamental design for a fireplace tool kit, as shown and described.

DESCRIPTION

FIG. 1 is a front and top perspective view of a fireplace tool kit, showing my new design;
 FIG. 2 is a rear and bottom perspective view thereof;
 FIG. 3 is a front elevational view thereof;
 FIG. 4 is a rear elevational view thereof;
 FIG. 5 is a left side elevational view thereof;
 FIG. 6 is a right side elevational view thereof;
 FIG. 7 is a top plan view thereof; and,
 FIG. 8 is a bottom plan view thereof.
 The broken lines in the figures illustrate portions of the fireplace tool kit that form no part of the claimed design.

1 Claim, 8 Drawing Sheets



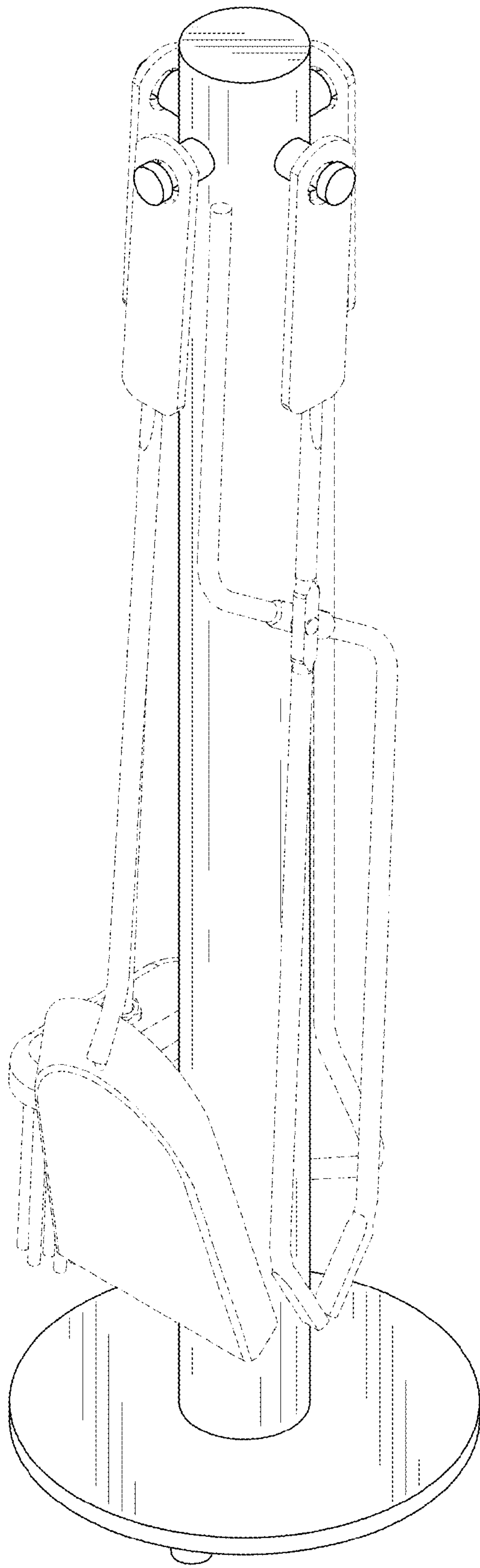


FIG. 1

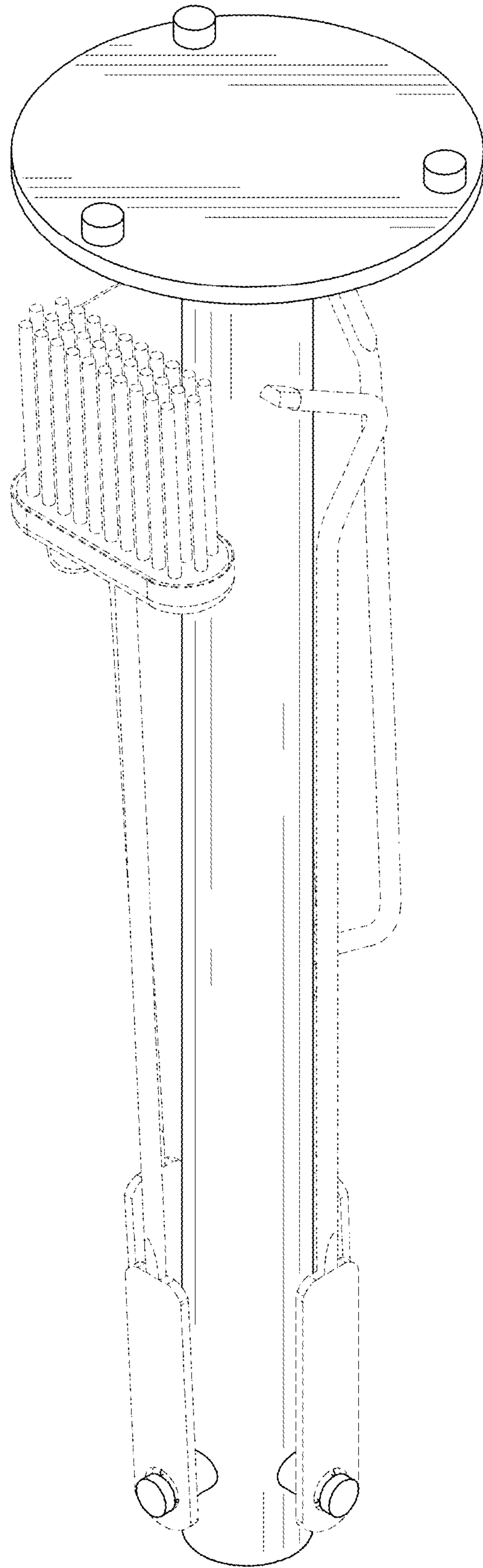


FIG. 2

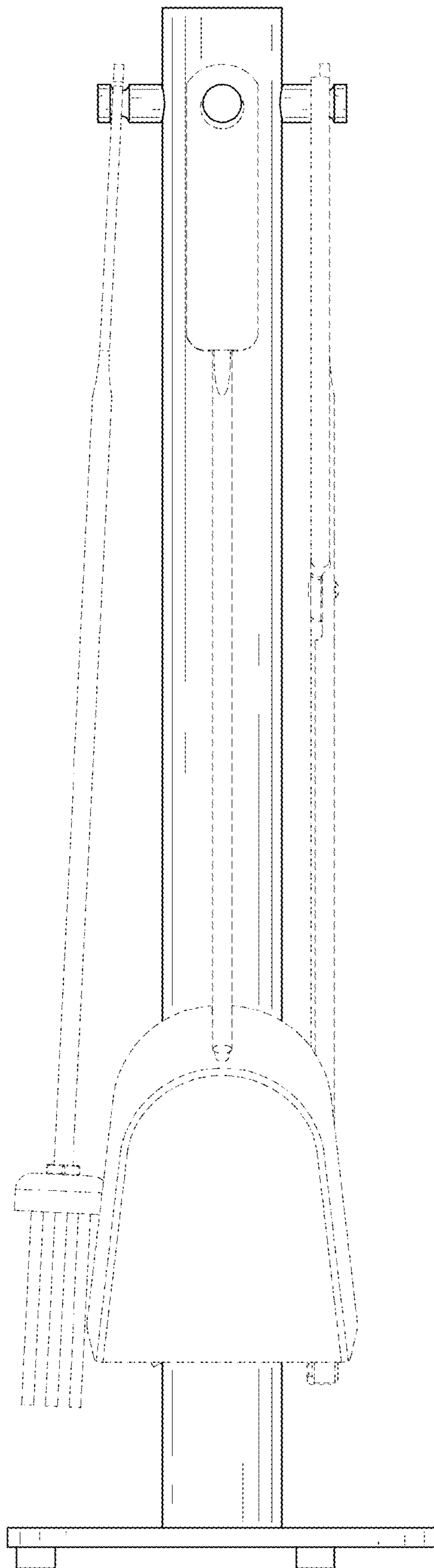


FIG. 3

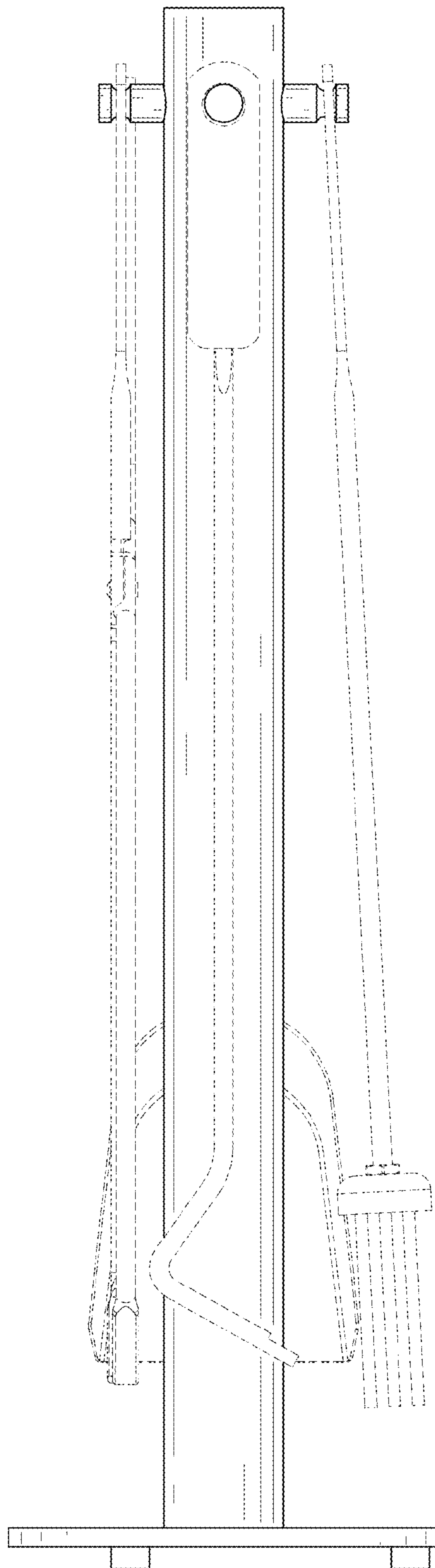


FIG. 4

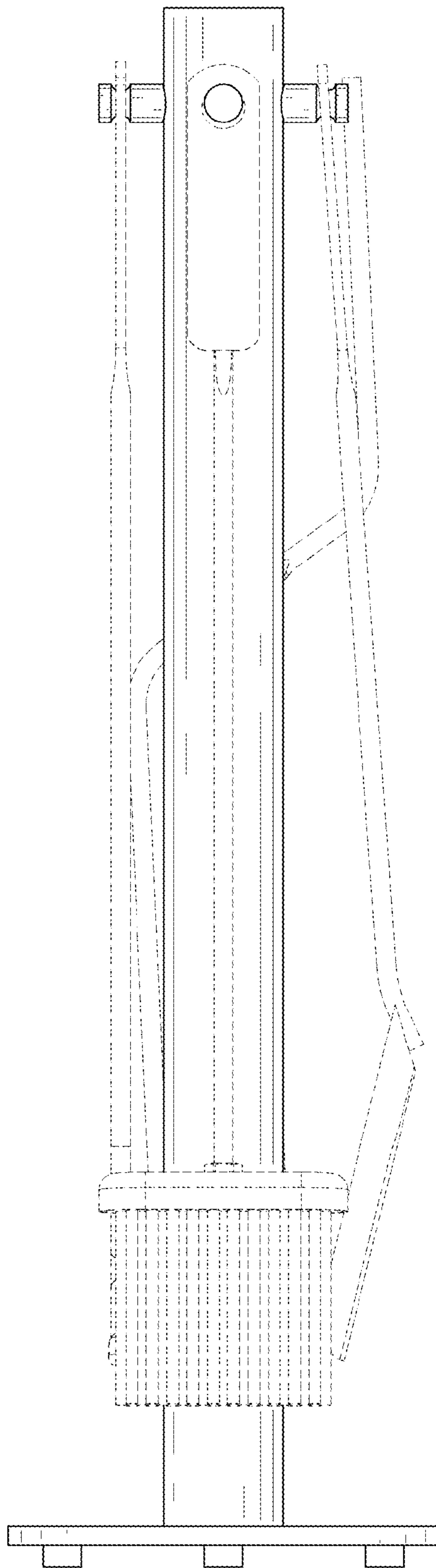


FIG. 5

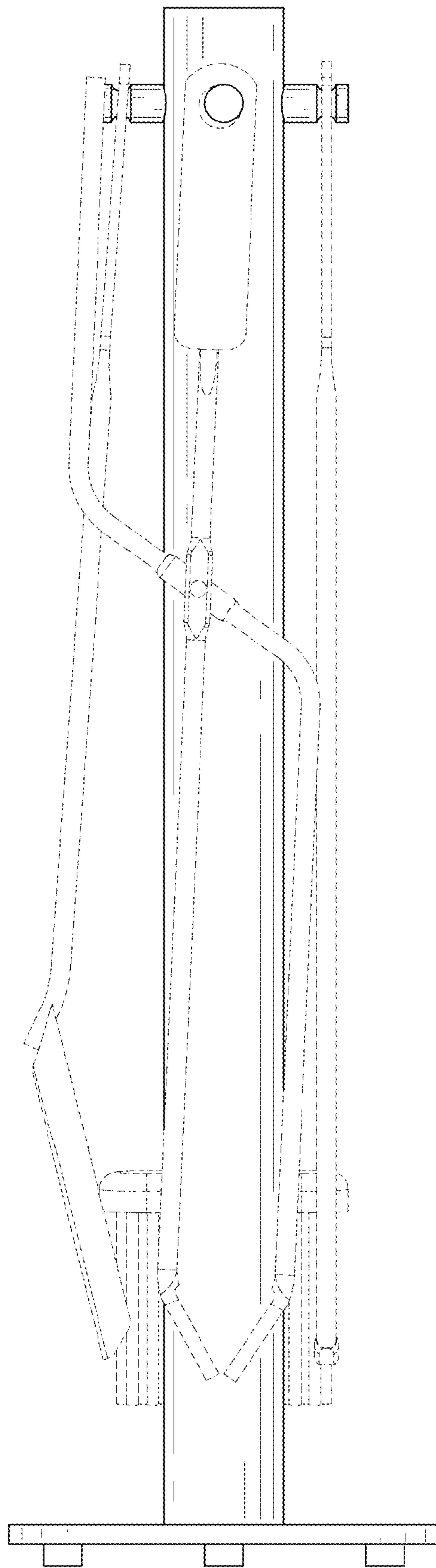


FIG. 6

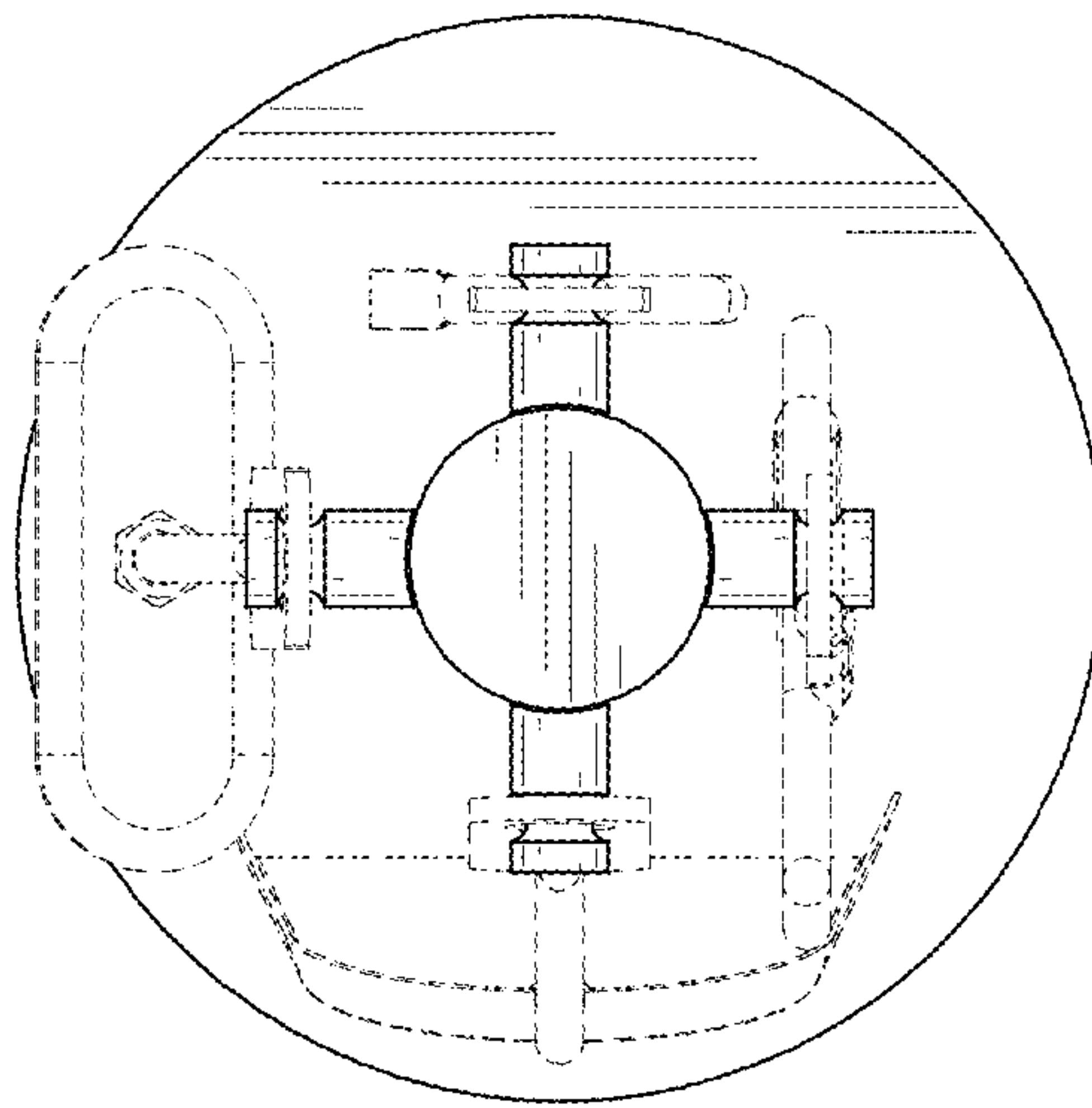


FIG. 7

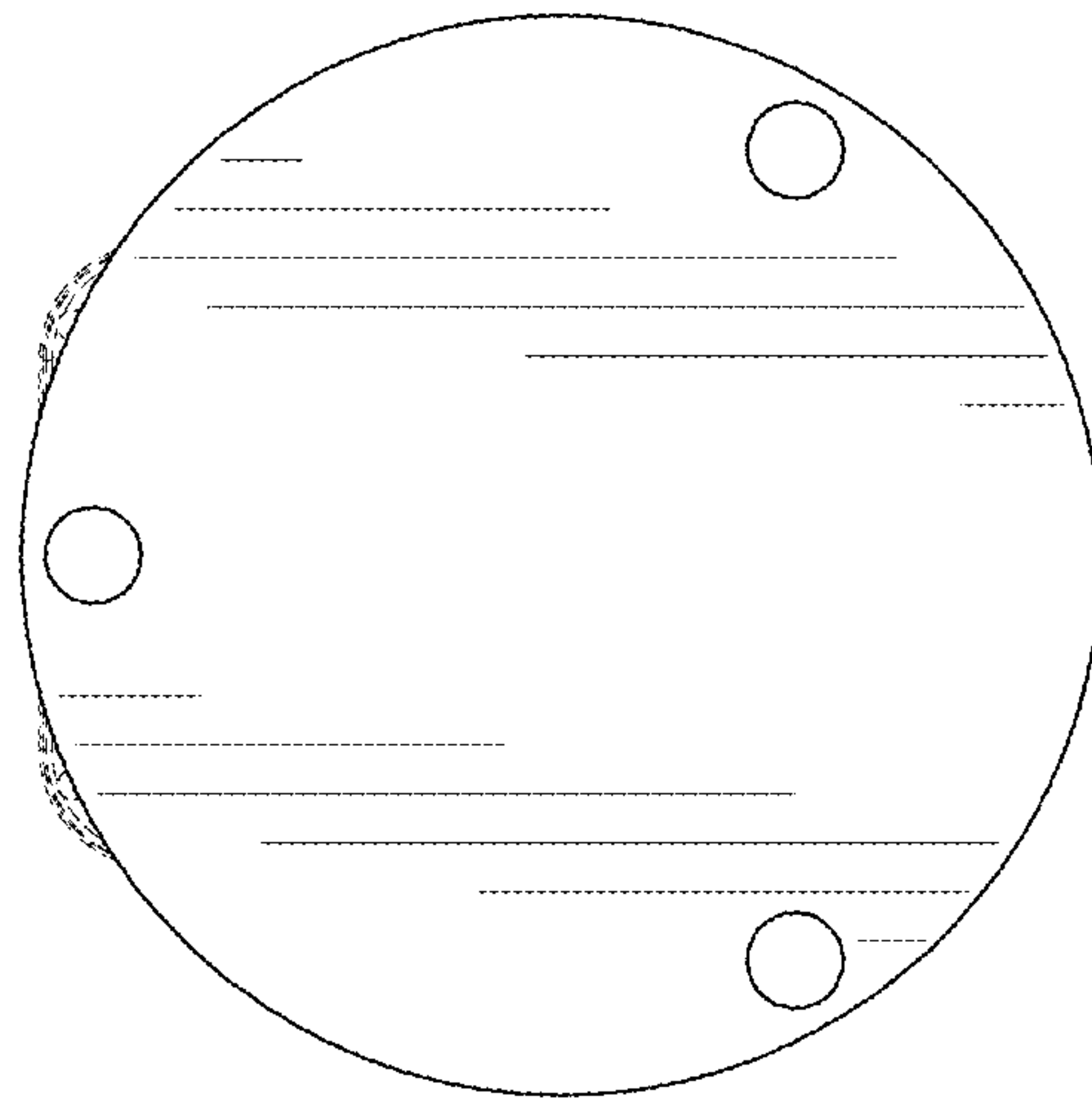


FIG. 8