



US00D893222S

(12) **United States Design Patent** (10) **Patent No.:** **US D893,222 S**  
**Tseng** (45) **Date of Patent:** **\*\* Aug. 18, 2020**

(54) **SHELF**  
(71) Applicant: **CHIN JWU ENTERPRISE CO., LTD.**, Chiayi Hsien (TW)  
(72) Inventor: **Chun-Hsien Tseng**, Chiayi Hsien (TW)  
(73) Assignee: **CHIN JWU ENTERPRISE CO., LTD.**, Chiayi Hsien (TW)  
(\*\*) Term: **15 Years**  
(21) Appl. No.: **29/659,661**  
(22) Filed: **Aug. 10, 2018**  
(51) **LOC (12) Cl.** ..... **06-06**  
(52) **U.S. Cl.**  
USPC ..... **D6/678**  
(58) **Field of Classification Search**  
USPC ..... D6/657, 661, 661.3, 663, 668, 672, 678,  
D6/691, 691.3; D14/140, 240, 299  
CPC ..... A47F 3/00; A47F 3/004; A47F 5/0018;  
A47F 5/00; A47F 5/0043  
See application file for complete search history.

D424,331 S \* 5/2000 Juang ..... D6/659  
D465,348 S \* 11/2002 Lucatello ..... D6/678  
D599,634 S \* 9/2009 Taylor, Jr. .... D8/29  
D600,944 S \* 9/2009 McConnell ..... D6/675  
D677,936 S \* 3/2013 Pirayesh ..... D6/678  
8,752,455 B1 \* 6/2014 Taylor, Jr. .... B25B 13/06  
81/121.1  
9,016,485 B1 \* 4/2015 Liu ..... A47B 47/0075  
211/183  
9,120,594 B2 \* 9/2015 Huang ..... B65D 11/1833  
9,427,675 B2 \* 8/2016 Yang ..... A63H 33/04  
10,178,908 B1 \* 1/2019 Tseng ..... A47B 47/0091  
D845,684 S \* 4/2019 Spielmann ..... D6/678  
D850,166 S \* 6/2019 Chiang ..... D6/672  
2011/0192854 A1 \* 8/2011 Chen ..... B65D 21/0202  
220/660  
2012/0256148 A1 \* 10/2012 Sirotin ..... E04H 17/16  
256/25  
2015/0076091 A1 \* 3/2015 Lee ..... A47B 73/006  
211/85.4  
2015/0096954 A1 \* 4/2015 Liu ..... A47B 47/0066  
211/186  
2018/0146776 A1 \* 5/2018 Lye ..... A47B 47/0091  
\* cited by examiner

*Primary Examiner* — Kelley A Donnelly

(56) **References Cited**

**U.S. PATENT DOCUMENTS**

2,085,238 A \* 6/1937 Towell ..... B65D 5/36  
229/102.5  
2,148,959 A \* 2/1939 Pavlecka ..... F16B 39/34  
411/302  
D154,404 S \* 7/1949 Levy ..... D6/678  
3,144,881 A \* 8/1964 Sproull ..... B03C 3/49  
138/117  
4,211,033 A \* 7/1980 Ringer ..... A01G 9/12  
47/45  
D262,611 S \* 1/1982 Gonzales ..... D11/143  
4,355,485 A \* 10/1982 Frank ..... A01G 9/023  
47/82  
D274,933 S \* 7/1984 Nau ..... D23/410

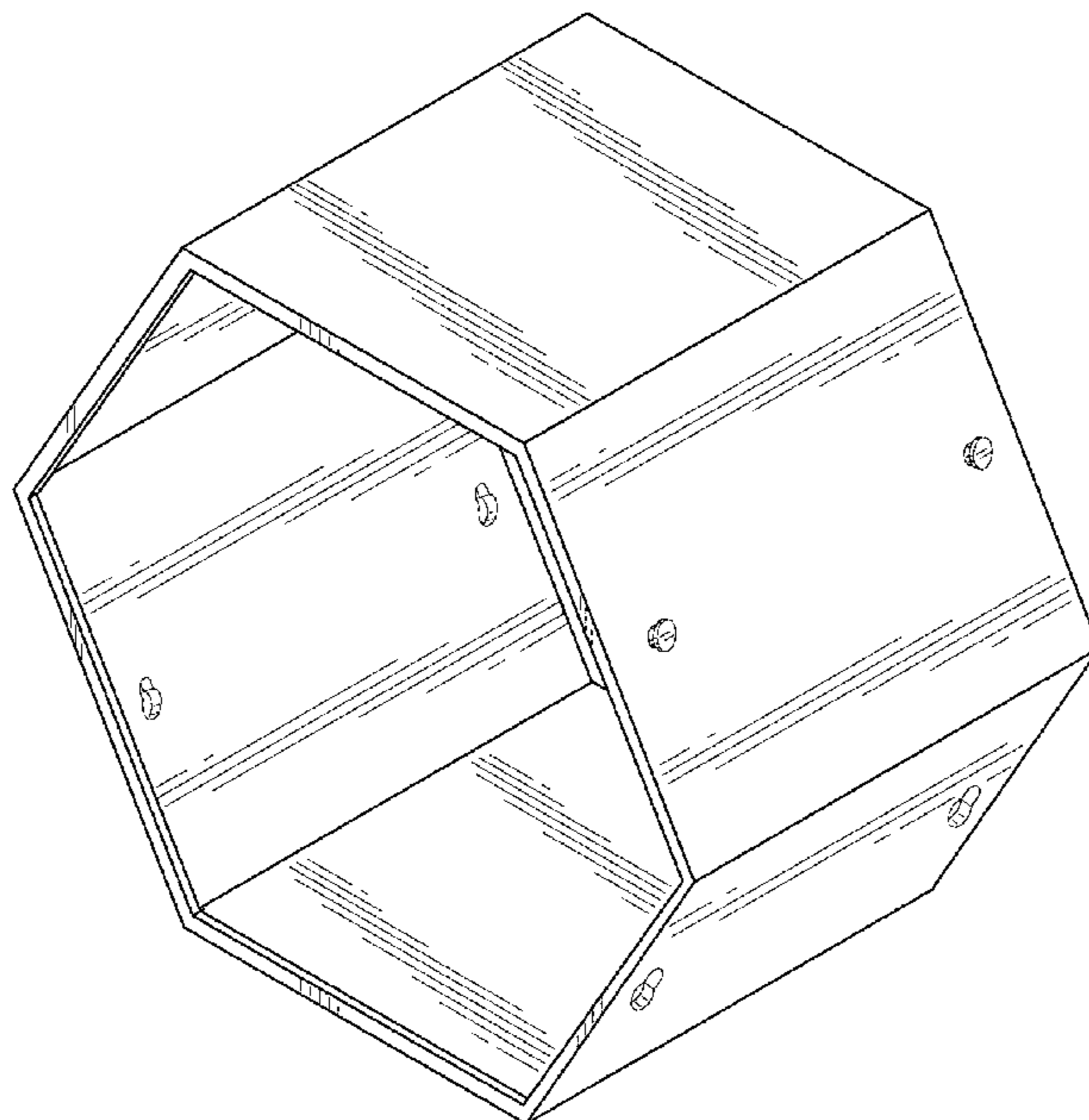
(57) **CLAIM**

The ornamental design for a shelf, as shown and described.

**DESCRIPTION**

FIG. 1 is a perspective view of a shelf showing my new design;  
FIG. 2 is a front elevational view thereof;  
FIG. 3 is a rear elevational view thereof;  
FIG. 4 is a left side elevational view thereof;  
FIG. 5 is a right side elevational view thereof;  
FIG. 6 is a top plan view thereof; and,  
FIG. 7 is a bottom plan view thereof.

**1 Claim, 6 Drawing Sheets**



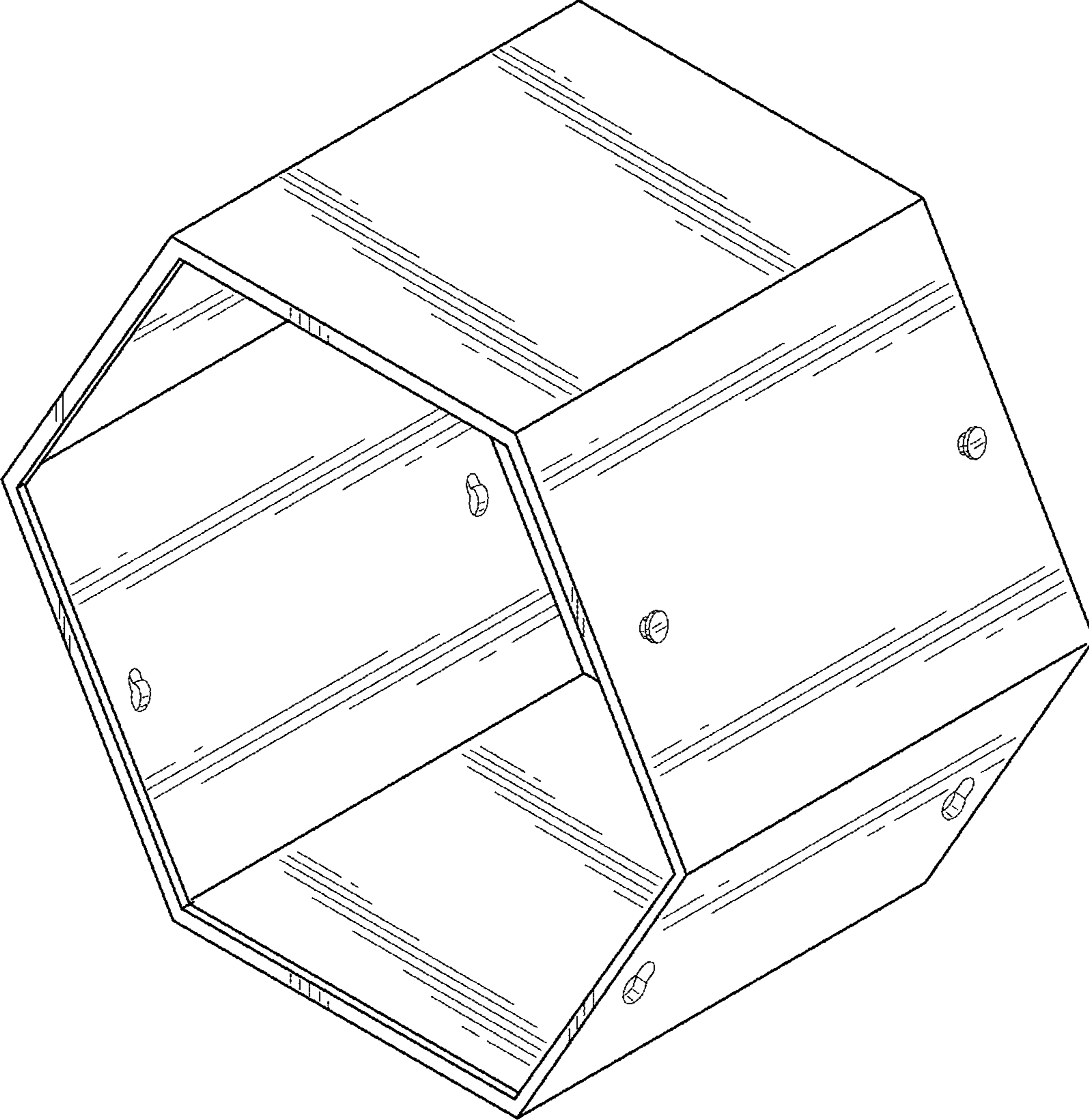


FIG. 1

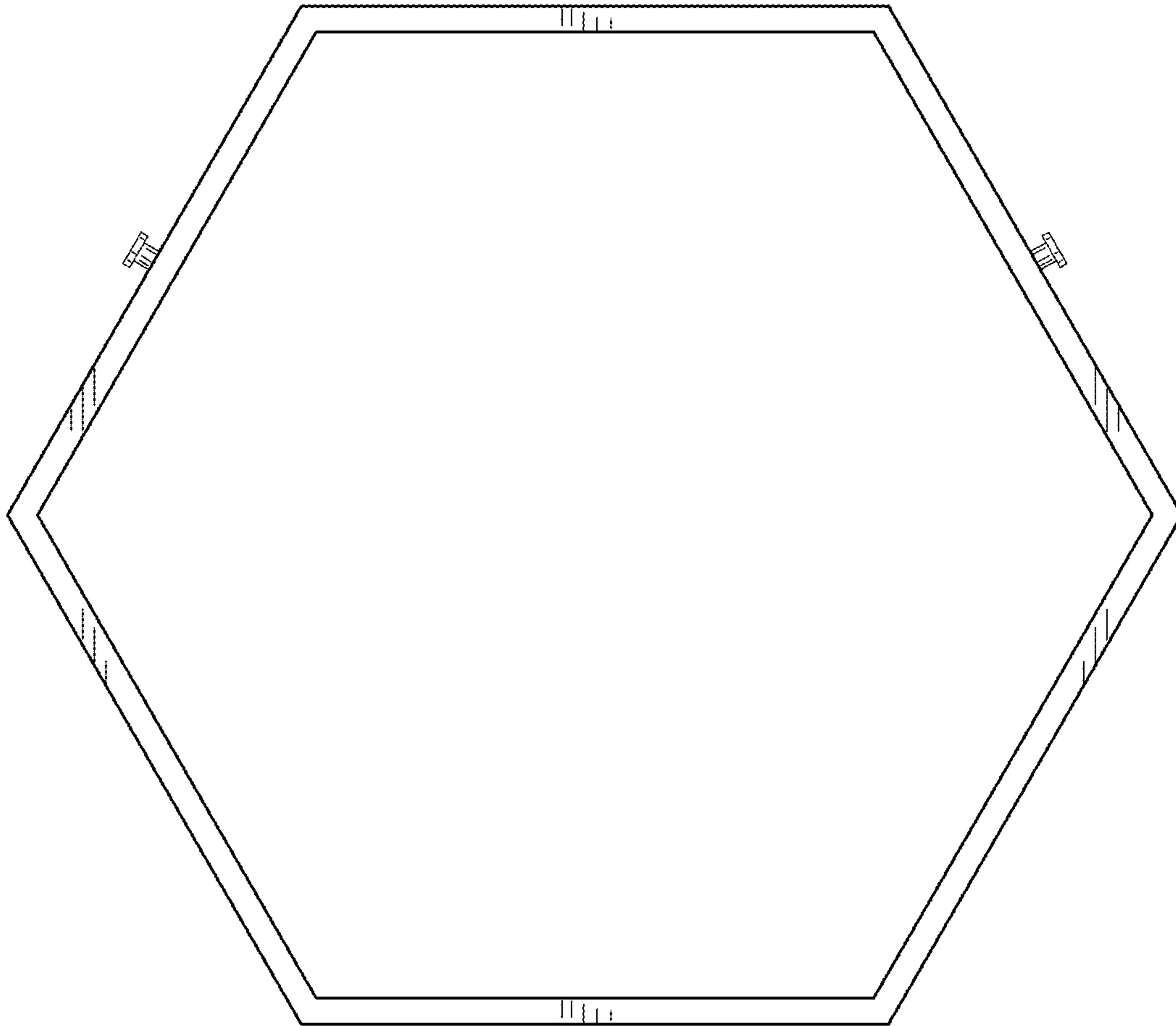


FIG.2

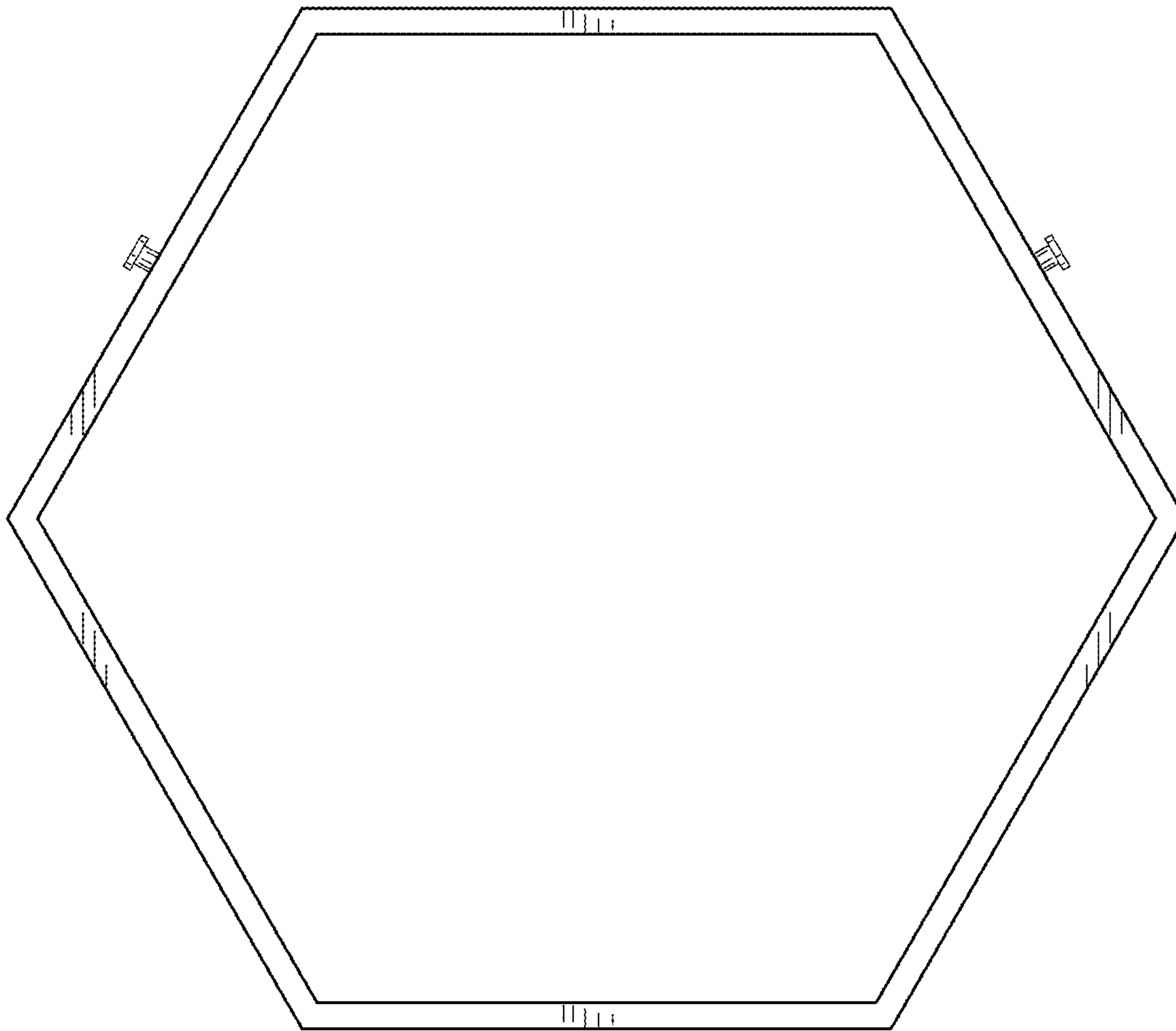


FIG.3

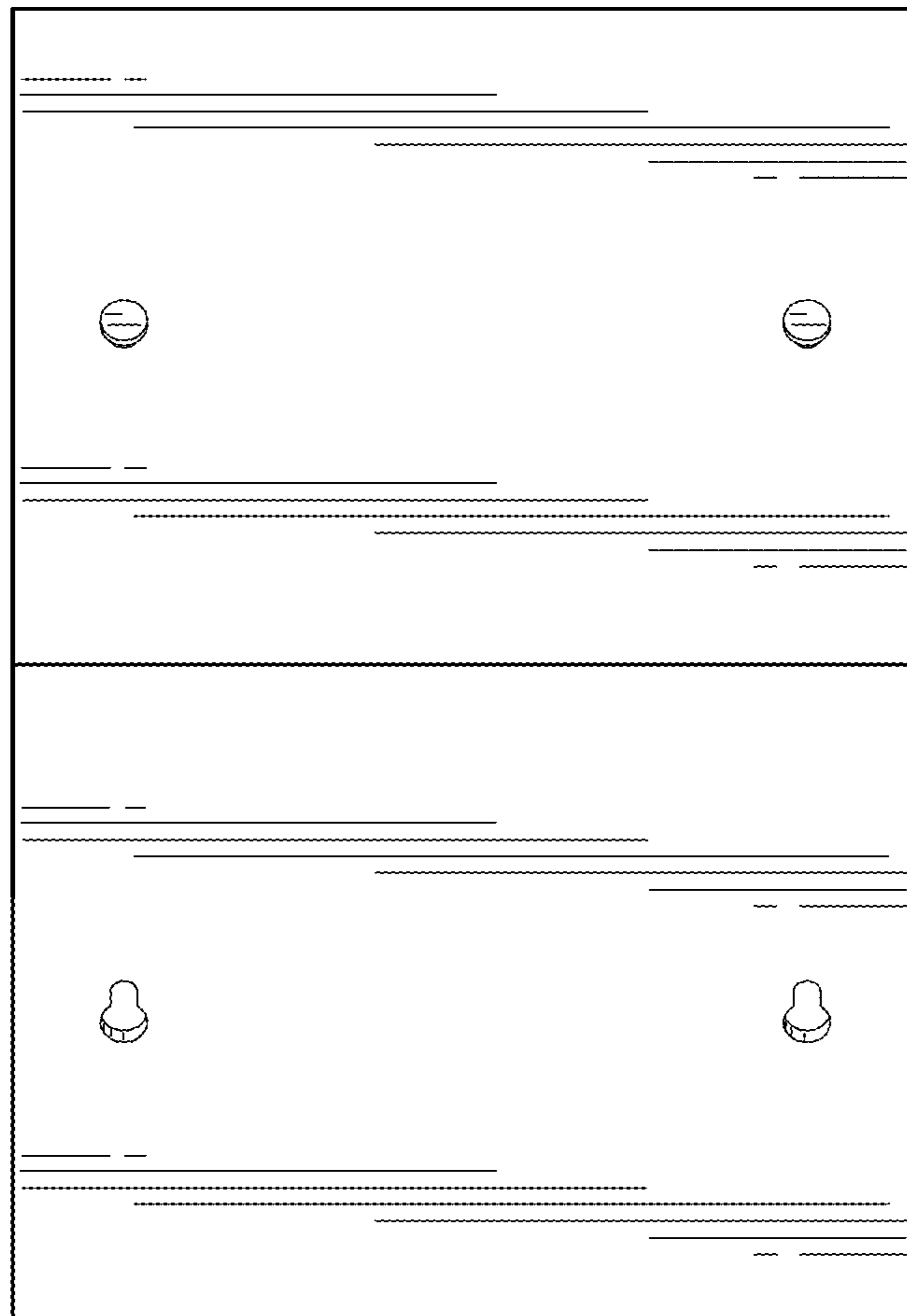


FIG.4

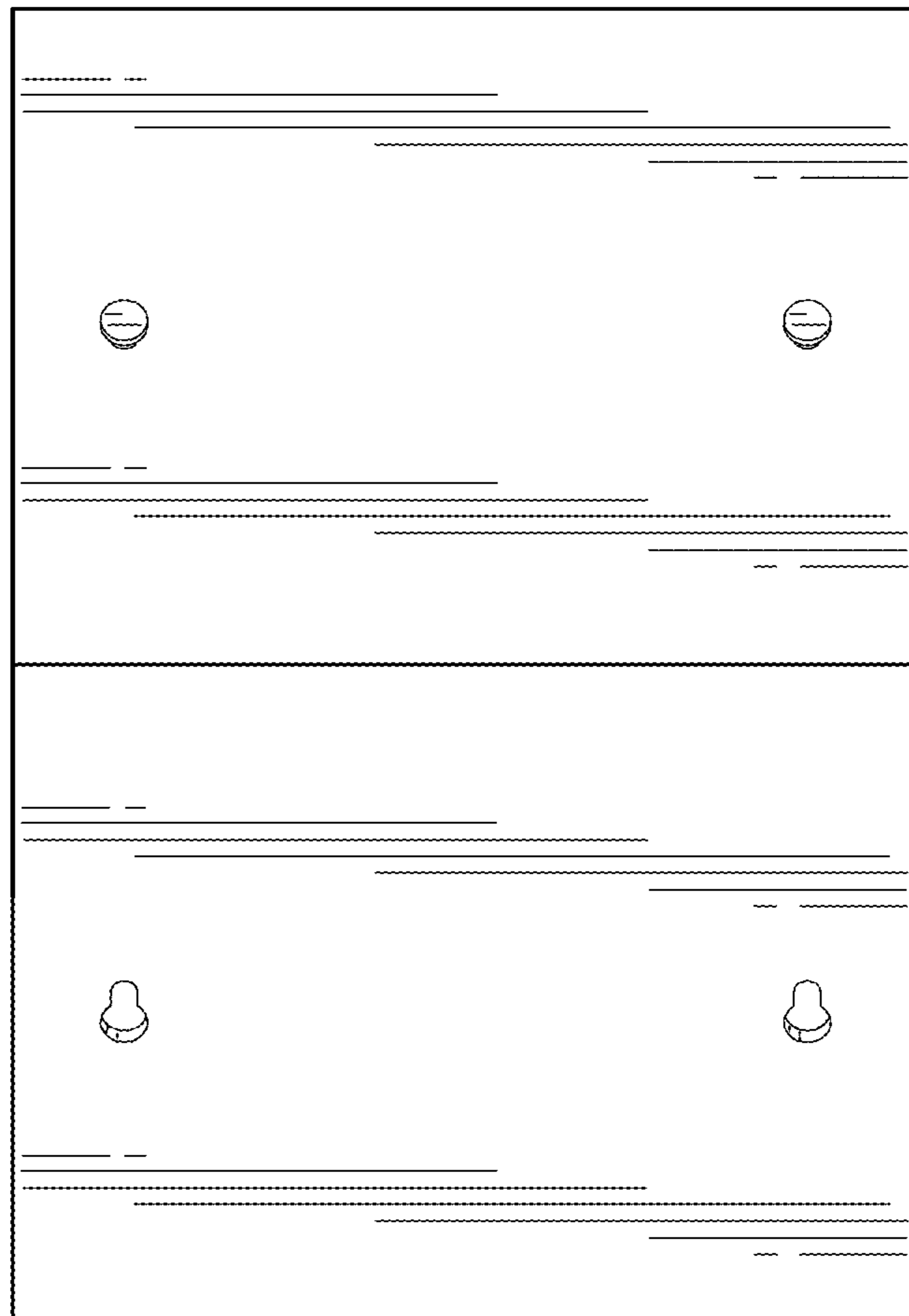


FIG. 5

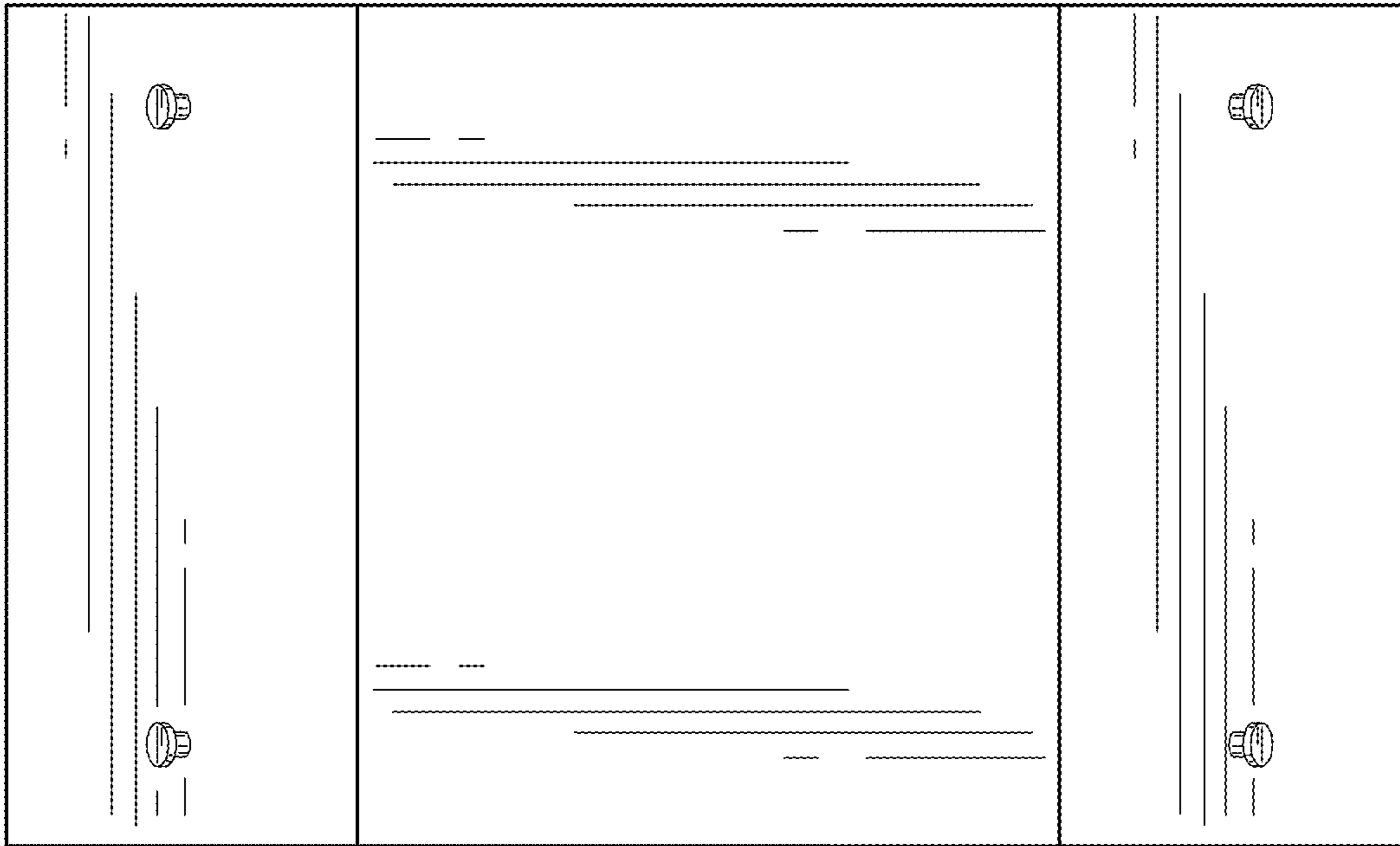


FIG. 6

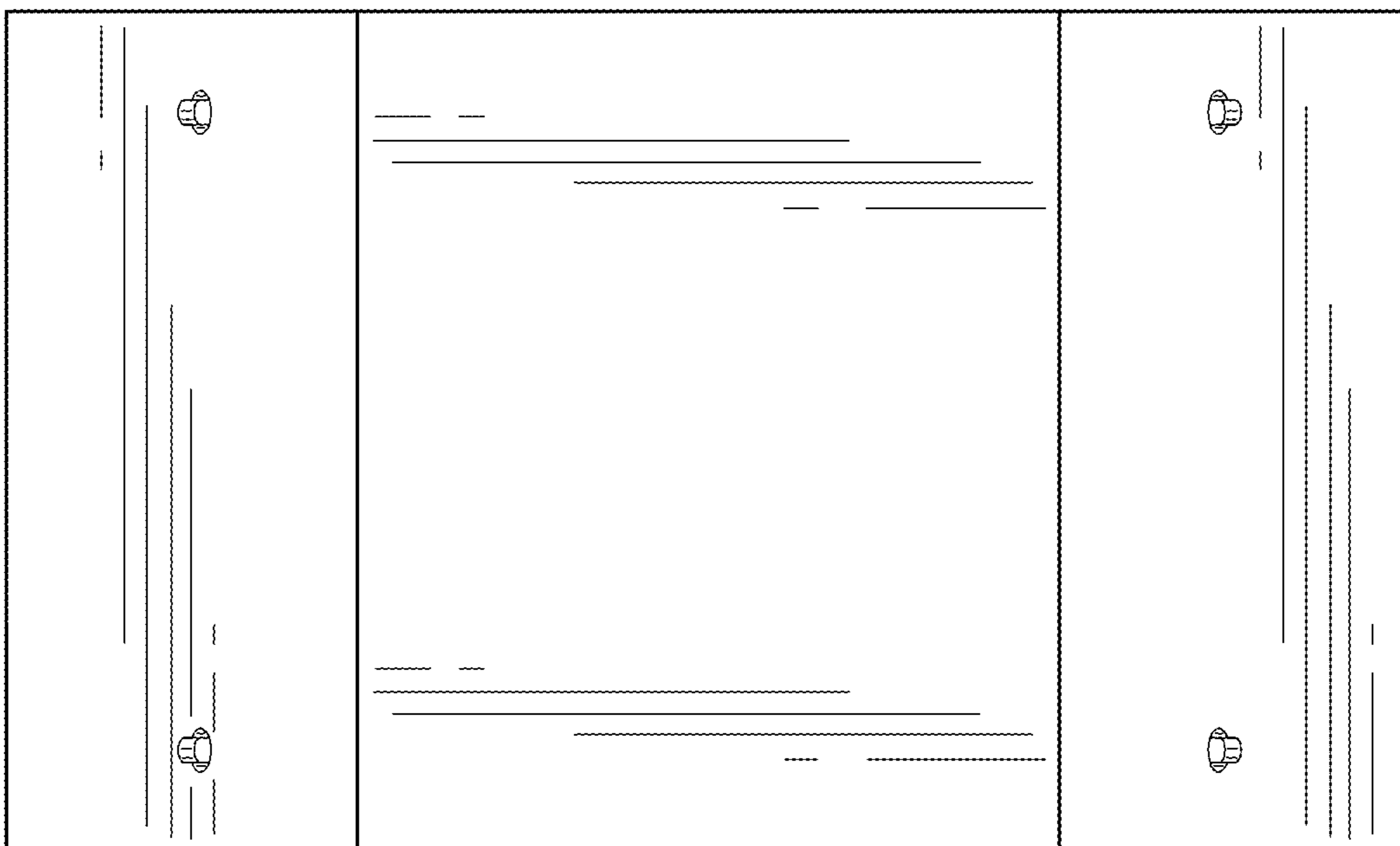


FIG. 7