



US00D893218S

(12) **United States Design Patent** (10) **Patent No.:** **US D893,218 S**  
**Han** (45) **Date of Patent:** **\*\* Aug. 18, 2020**

(54) **PILLOW**  
(71) Applicant: **Won Chang Han**, Hwaseong-si (KR)  
(72) Inventor: **Won Chang Han**, Hwaseong-si (KR)  
(\*\*) Term: **15 Years**  
(21) Appl. No.: **35/506,786**  
(22) Filed: **May 25, 2018**

D347,248 S \* 5/1994 Franzman ..... D21/424  
D366,085 S \* 1/1996 Millington ..... A47G 9/10  
D21/686  
D383,504 S \* 9/1997 Millington ..... D21/803  
6,052,850 A \* 4/2000 Salido ..... A47G 9/10  
5/644  
D655,000 S \* 2/2012 Mirigian ..... A63B 19/02  
D24/130  
D669,218 S \* 10/2012 Tsai ..... D28/41  
D831,497 S \* 10/2018 Katopis ..... D9/636

(80) **Hague Agreement Data**  
Int. Filing Date: **May 25, 2018**  
Int. Reg. No.: **DM/201067**  
Int. Reg. Date: **May 25, 2018**  
Int. Reg. Pub. Date: **May 24, 2019**

(30) **Foreign Application Priority Data**  
Nov. 29, 2017 (KR) ..... 30-2017-0056324  
(51) **LOC (12) Cl.** ..... **06-09**  
(52) **U.S. Cl.**  
USPC ..... **D6/601**  
(58) **Field of Classification Search**  
USPC ..... D6/595-601, 604; D1/126-130;  
D21/686, 801, 803, 804; D24/183  
CPC ..... A47G 9/10; A47G 9/1009; A47G 9/1027;  
A47G 9/1054; A47G 2009/1018; A63B  
19/02  
See application file for complete search history.

(56) **References Cited**  
U.S. PATENT DOCUMENTS  
3,460,828 A \* 8/1969 Curlee ..... A63B 19/02  
472/26  
3,848,281 A \* 11/1974 Mathews ..... A47G 9/10  
5/636

**OTHER PUBLICATIONS**

Ostrich Pillow Light Travel Pillow—Amazon.com reviewed on Apr. 7, 2015 <https://www.amazon.com/OSTRICHPILOW-Pillow-Airplanes-Support-Accessories/dp/B0153SNNTI> retrieved from the internet on Feb. 4, 2020.\*

\* cited by examiner

*Primary Examiner* — Mary Ann Calabrese  
(74) *Attorney, Agent, or Firm* — Antonio Ha & U.S. Patent, LLC

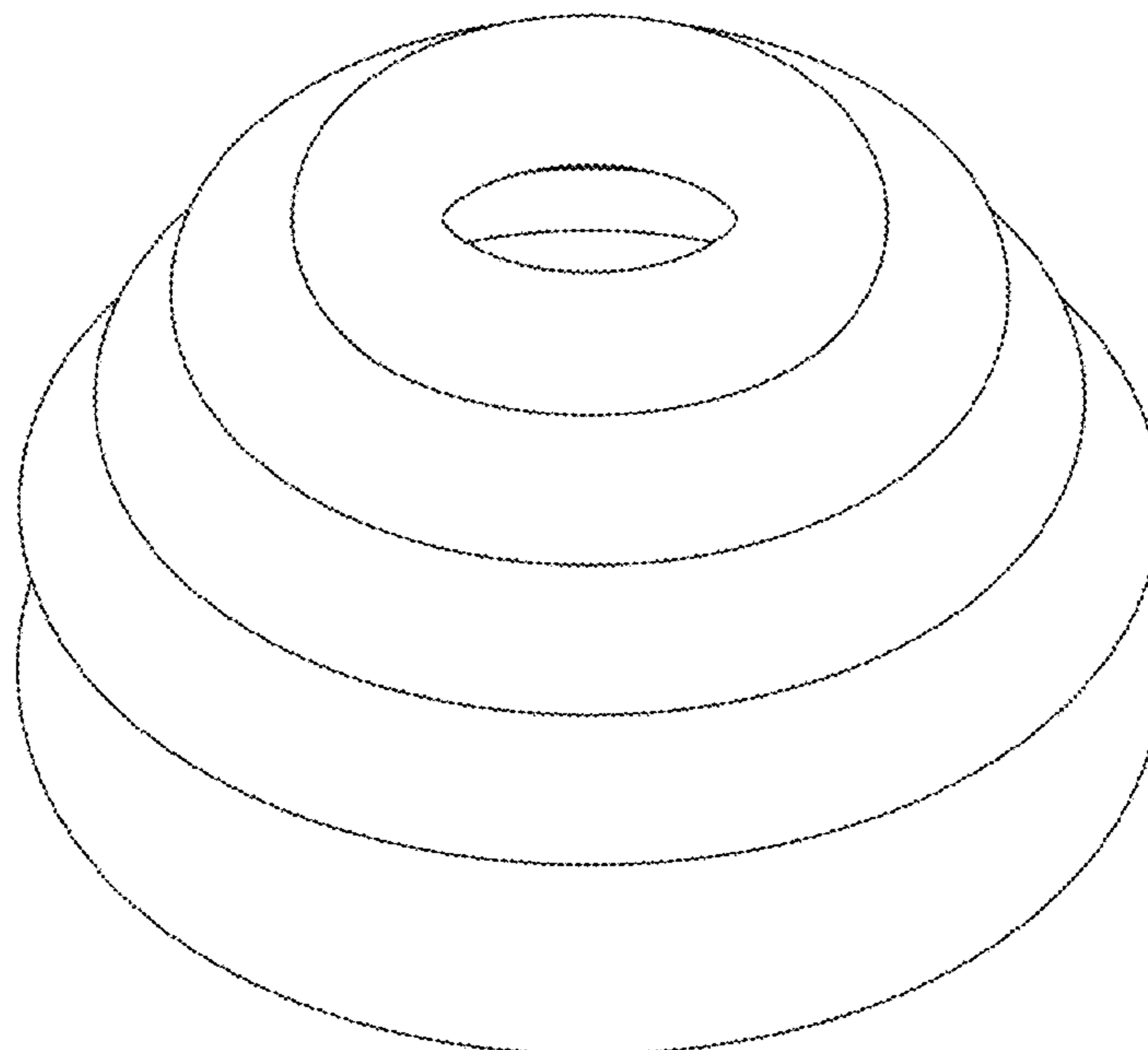
(57) **CLAIM**

The ornamental design for a pillow, as shown and described.

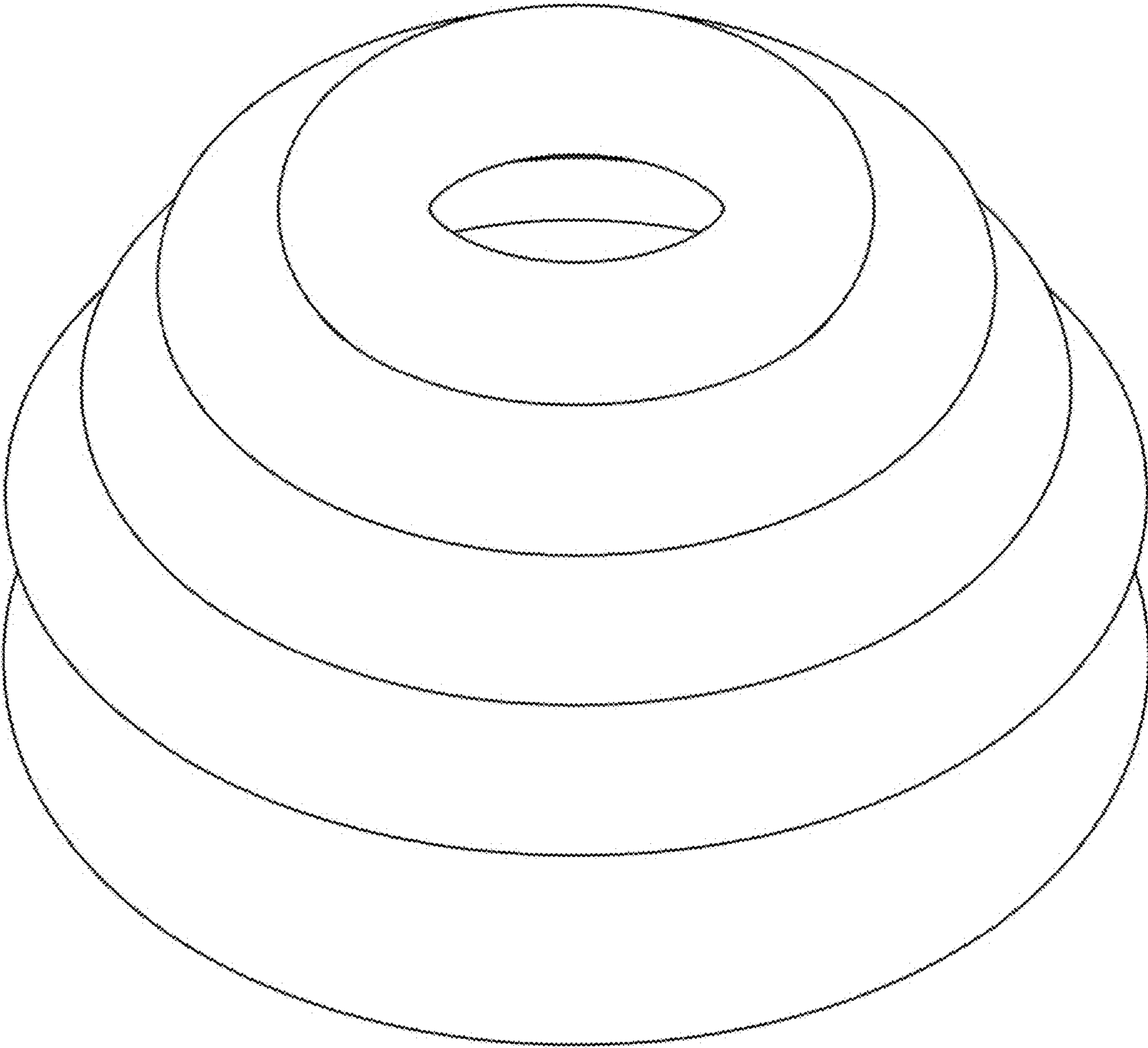
**DESCRIPTION**

- 1.1 is a perspective view showing my new design.
- 1.2 is a front view thereof.
- 1.3 is a rear view thereof.
- 1.4 is a left side view thereof.
- 1.5 is a right side view thereof.
- 1.6 is a top view thereof.
- 1.7 is a bottom view thereof.
- 1.8 is a cross-sectional view taken along the center of view 1.6.

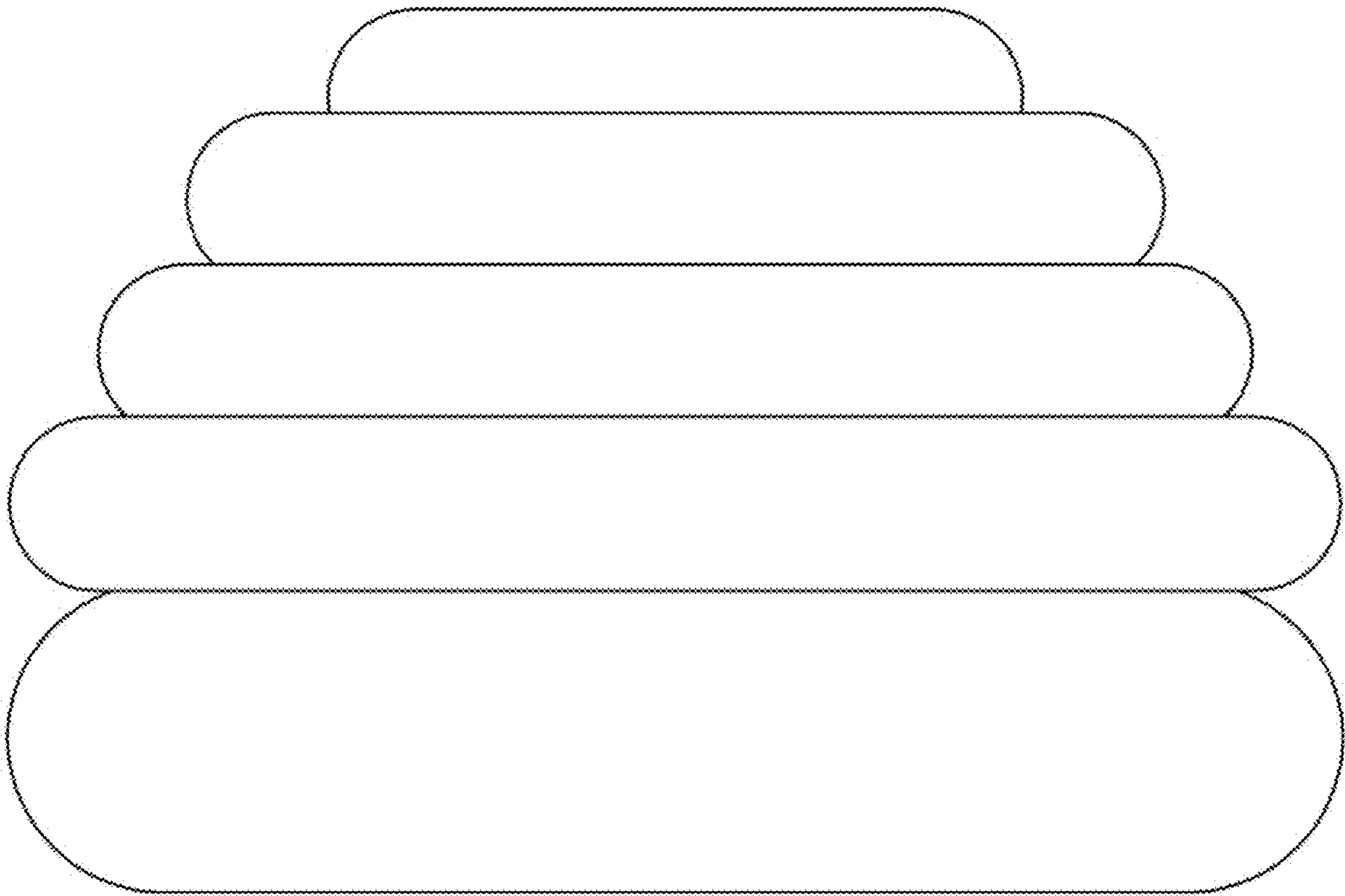
**1 Claim, 8 Drawing Sheets**



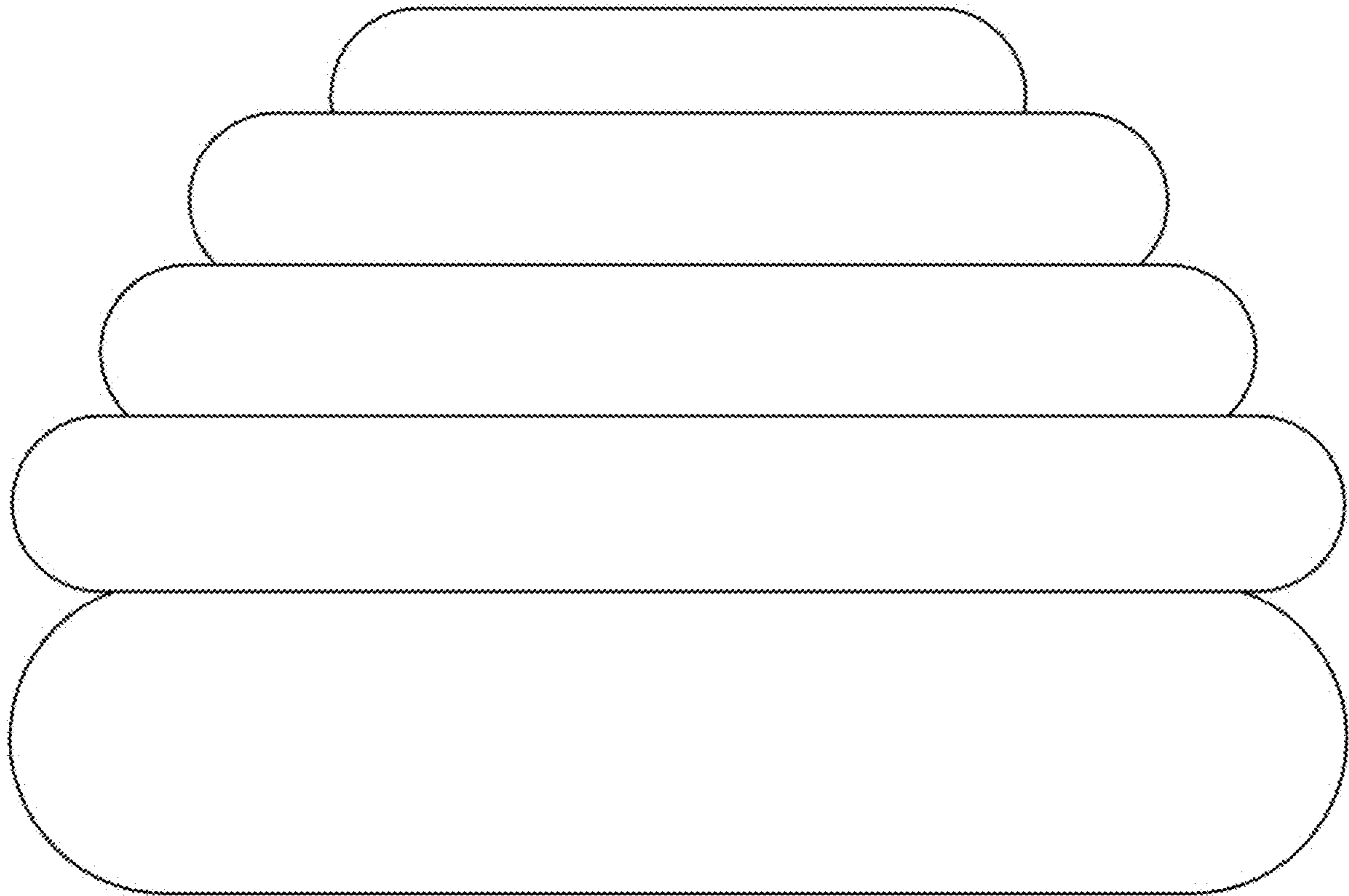
1.1



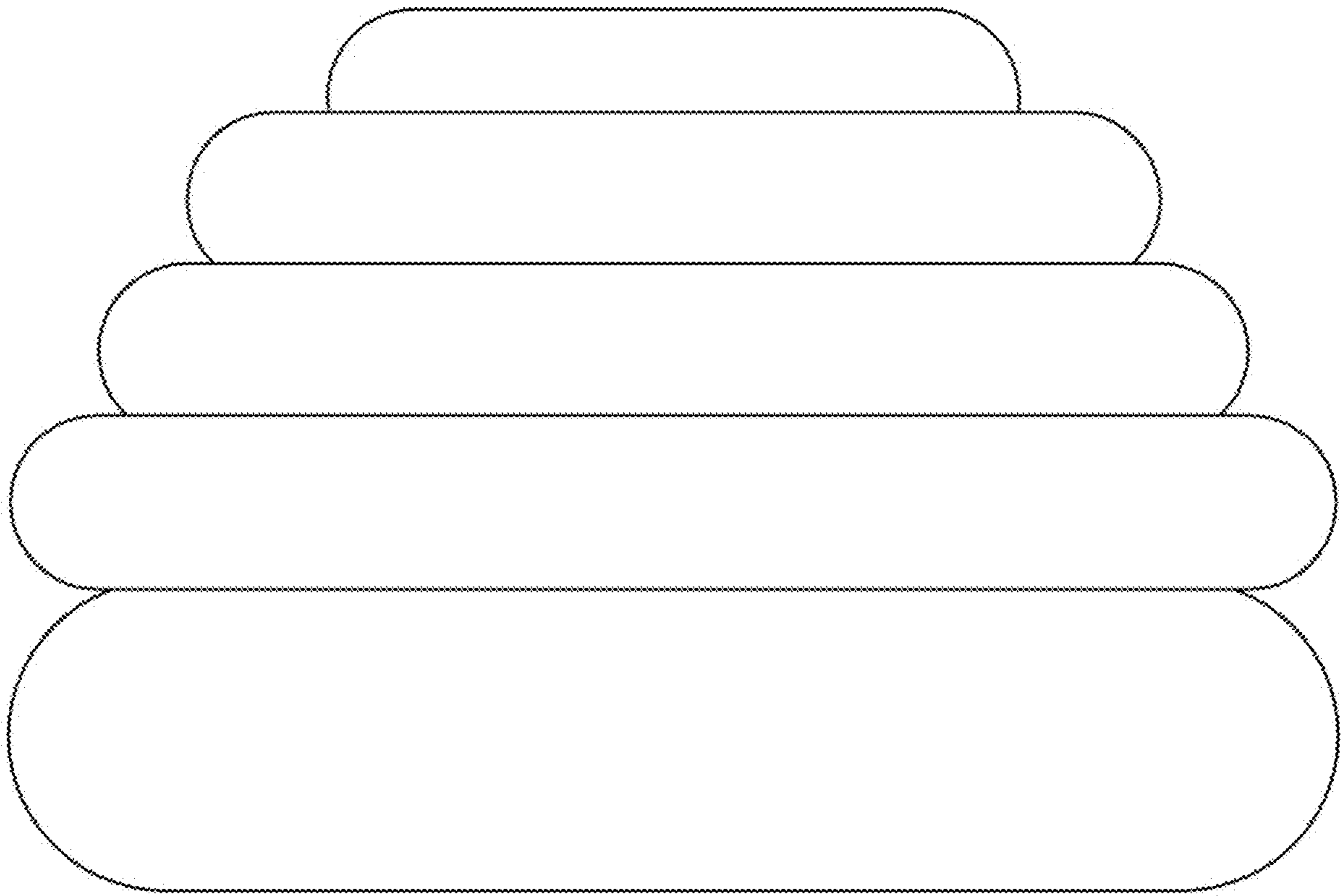
1.2



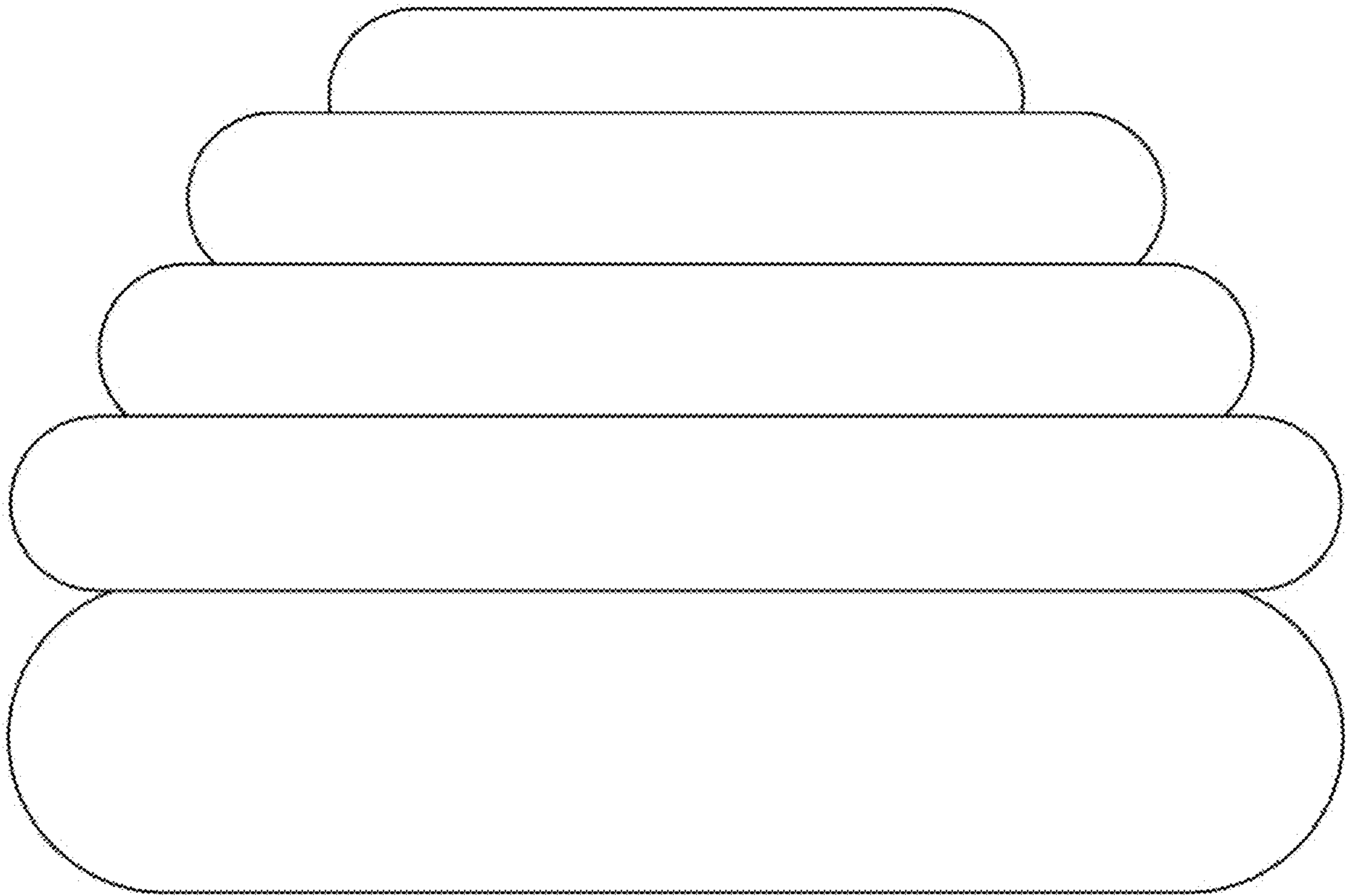
1.3



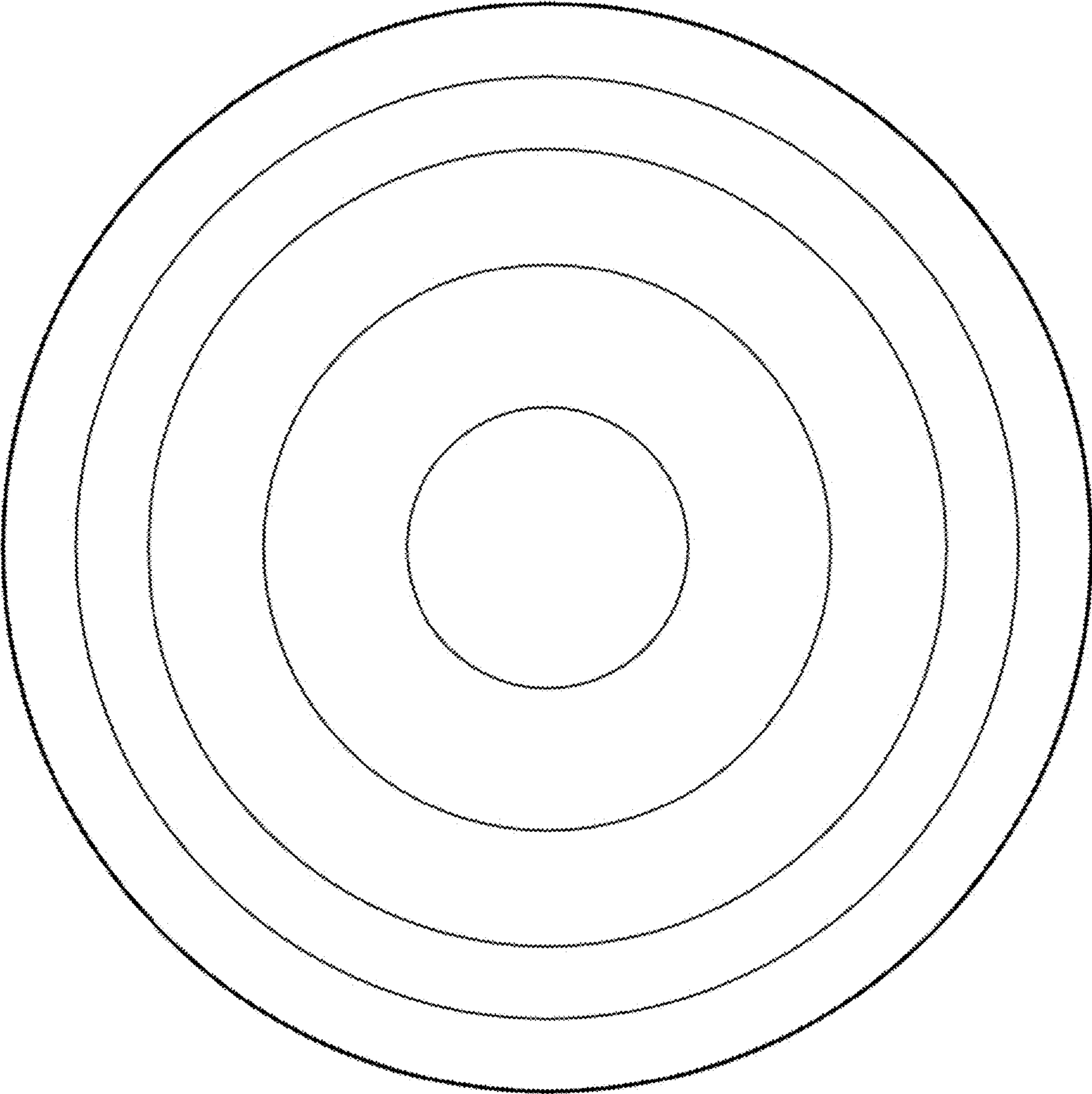
1.4



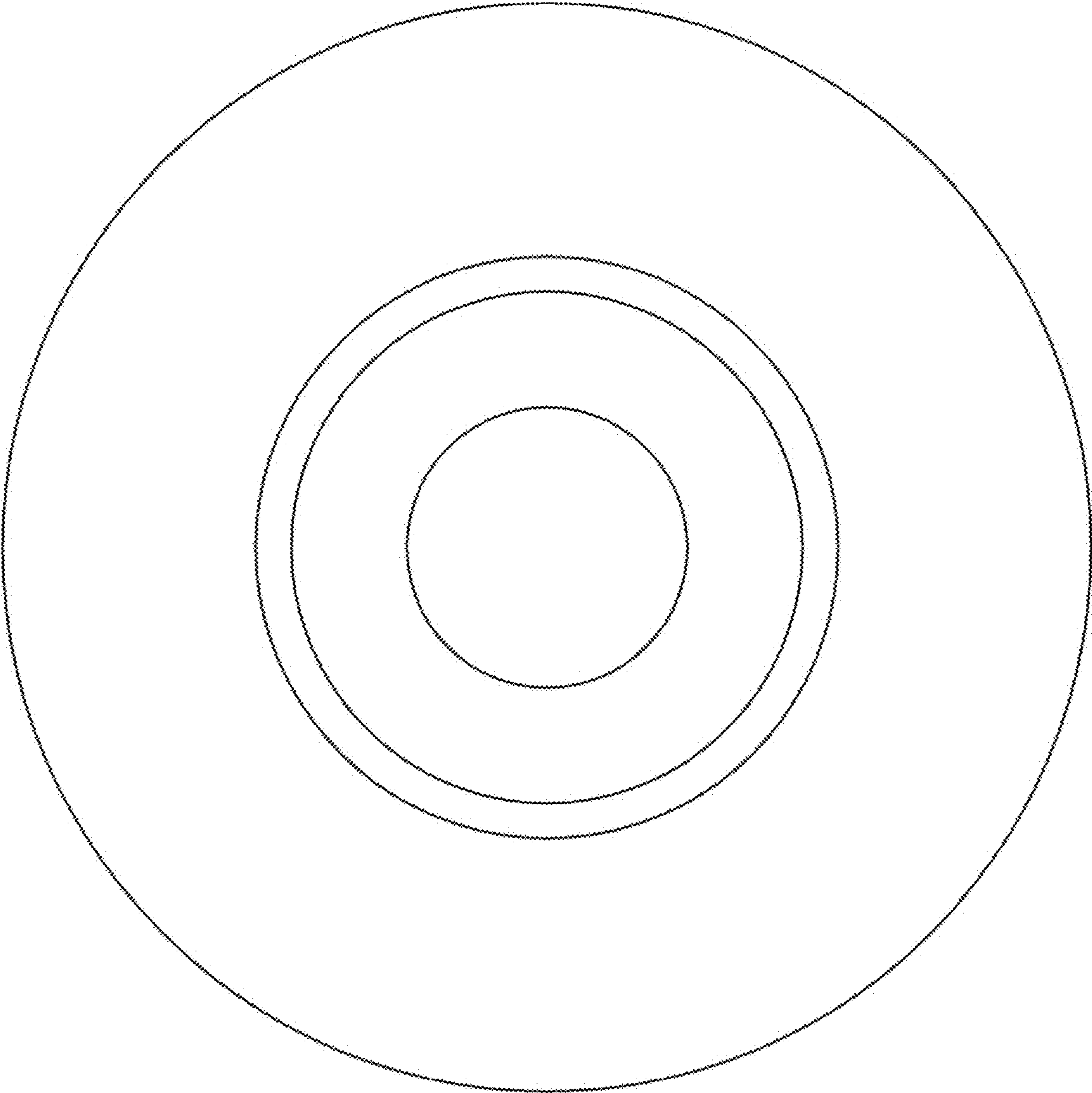
1.5



1.6



1.7





1.8

