



US00D893217S

(12) **United States Design Patent**
Meyer et al.

(10) **Patent No.:** **US D893,217 S**

(45) **Date of Patent:** **** Aug. 18, 2020**

(54) **DOORMAT**

(71) Applicant: **PORCH + HALL, LLC**, Bronxville, TX (US)

(72) Inventors: **Stafford Meyer**, Bronxville, NY (US);
Terence Gelo, Houston, TX (US)

(73) Assignee: **PORCH + HALL, LLC**, Bronxville, NY (US)

(**) Term: **15 Years**

(21) Appl. No.: **29/694,921**

(22) Filed: **Jun. 14, 2019**

(51) **LOC (12) Cl.** **06-11**

(52) **U.S. Cl.**
USPC **D6/582**

(58) **Field of Classification Search**
USPC D6/582-589, 591, 592, 609, 613, 614;
D12/203, 608; D19/9, 10, 37, 113;
D21/686, 780; D23/261, 310, 361;
D25/138, 156, 157, 163; D30/161;
D32/57

CPC A47G 27/02; A47G 27/0206; A47G 27/0212;
A47G 27/0218; A47G 27/0225; A47G 27/0231;
A47G 27/0237; A47G 27/0275; A47G 27/0293; A47G 9/062;
A47K 3/002; E04F 2201/095; E04F 19/10;
A47L 23/26; A47L 23/266

See application file for complete search history.

(56) **References Cited**

U.S. PATENT DOCUMENTS

D217,318 S * 4/1970 Walldorf A01K 1/0157
D20/43
4,353,944 A * 10/1982 Tarui A47L 23/26
15/217
4,478,901 A * 10/1984 Dickens A47G 27/0212
404/36

D281,752 S * 12/1985 Dickens D6/582
D315,364 S * 3/1991 Scalice B60P 7/0876
D19/1
D351,694 S * 10/1994 Evans D30/161

(Continued)

Primary Examiner — Kevin K Rudzinski

Assistant Examiner — Clare Ann Gannon

(74) *Attorney, Agent, or Firm* — Cowan, Liebowitz & Latman, P.C.; Anastasia Zhadina

(57) **CLAIM**

The ornamental design for a doormat, as shown and described.

DESCRIPTION

FIG. 1 is a top perspective view of a first embodiment of the doormat showing my design;

FIG. 2 is a bottom perspective view thereof;

FIG. 3 is a top view thereof;

FIG. 4 is a bottom view thereof;

FIG. 5 is a right side view thereof;

FIG. 6 is a left side view thereof;

FIG. 7 is a front view thereof;

FIG. 8 is a back view thereof;

FIG. 9 is a top perspective view thereof with a mat separated from a base;

FIG. 10 is a top perspective view of a second embodiment of the doormat showing my design;

FIG. 11 is a bottom perspective view thereof;

FIG. 12 is a top view thereof;

FIG. 13 is a bottom view thereof;

FIG. 14 is a right side view thereof;

FIG. 15 is a left side view thereof;

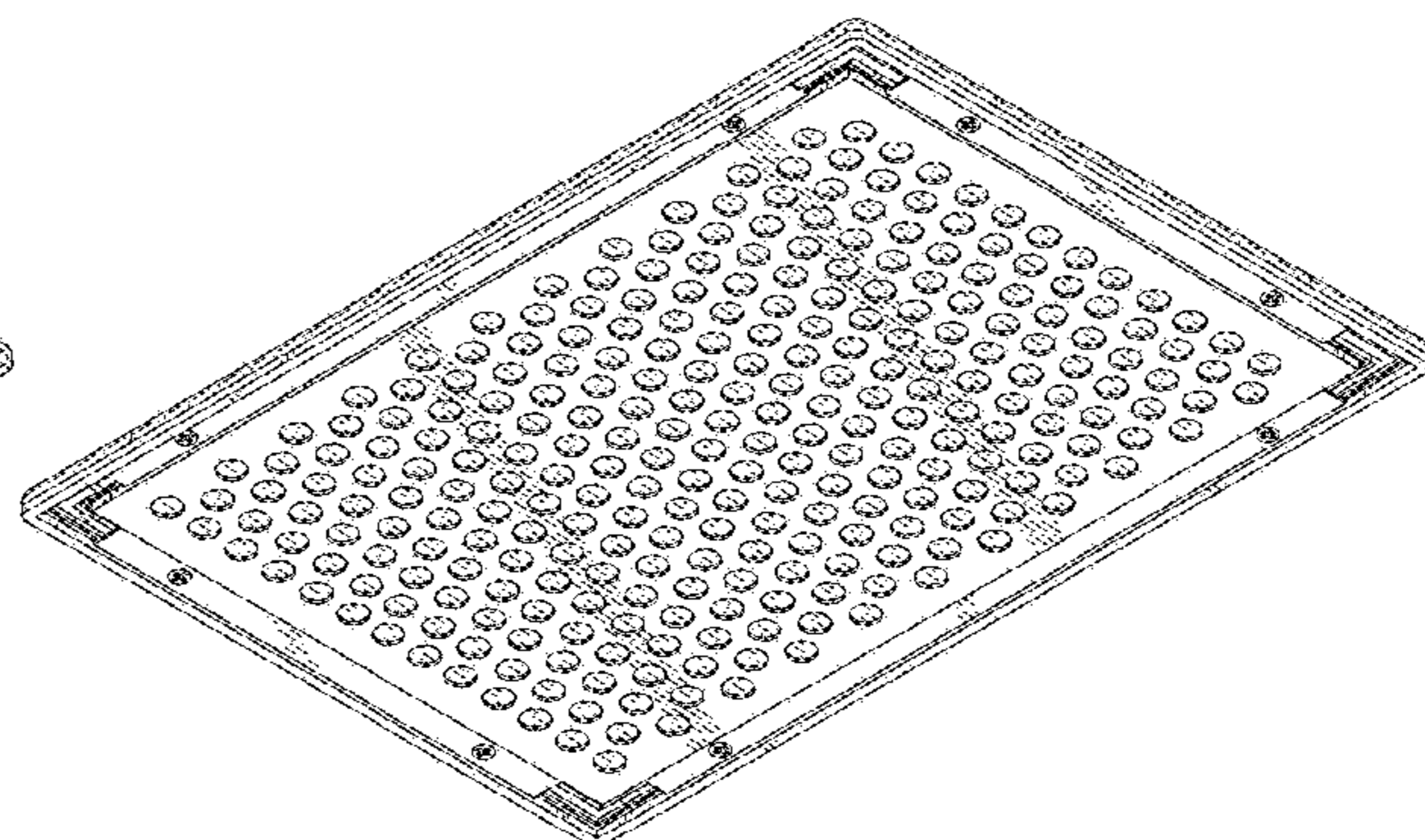
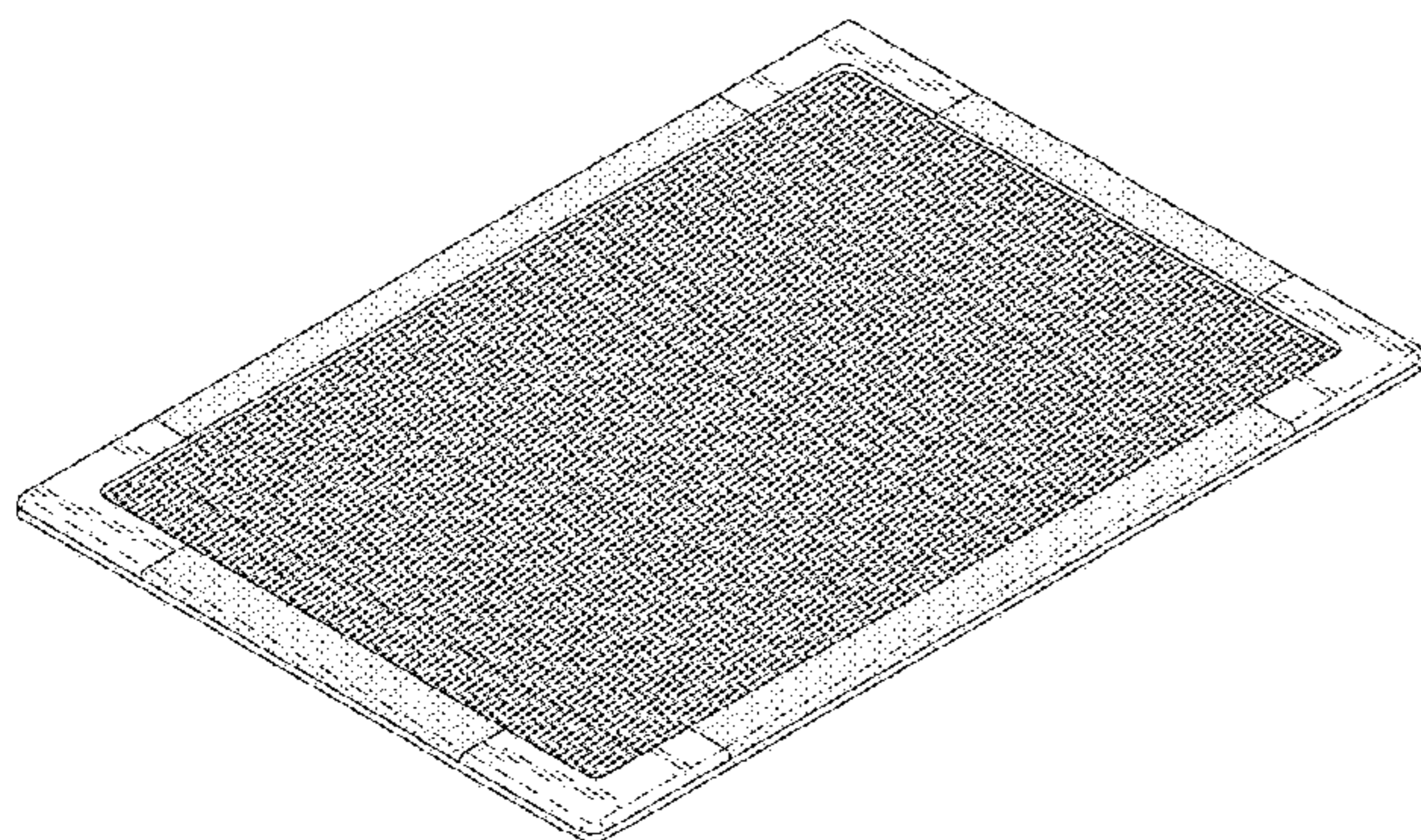
FIG. 16 is a front view thereof;

FIG. 17 is a back view thereof; and,

FIG. 18 is a top perspective view thereof with a mat separated from a base.

Portions of the doormat shown in broken lines form no part of the claimed design.

1 Claim, 14 Drawing Sheets



(56)

References Cited

U.S. PATENT DOCUMENTS

5,637,378 A * 6/1997 Hensler A47G 27/0212
 428/192
 6,971,827 B1 * 12/2005 Embach B60P 7/0876
 296/97.23
 D665,851 S * 8/2012 Davis A47G 27/0212
 D19/10
 D728,991 S * 5/2015 Hasegawa D7/368
 10,178,852 B2 * 1/2019 Wendling A01K 1/0157
 D863,819 S * 10/2019 Ghiorghie A63B 21/4039
 D6/585
 2003/0118774 A1 * 6/2003 Tippett D06N 7/0065
 428/88
 2007/0020433 A1 * 1/2007 Gruenbacher A47L 23/266
 428/137
 2008/0081153 A1 * 4/2008 Yeh B32B 5/22
 428/156
 2013/0324382 A1 * 12/2013 Wilson A63B 21/4039
 482/142
 2016/0030799 A1 * 2/2016 Sutherland A47G 27/0237
 5/420
 2018/0160834 A1 * 6/2018 King A01K 1/0107
 2018/0289238 A1 * 10/2018 Vogt B32B 5/06
 2018/0368655 A1 * 12/2018 Meyer A47L 23/266
 2019/0046006 A1 * 2/2019 Dorin A61L 2/238
 2020/0113364 A1 * 4/2020 King A47G 27/0431

* cited by examiner

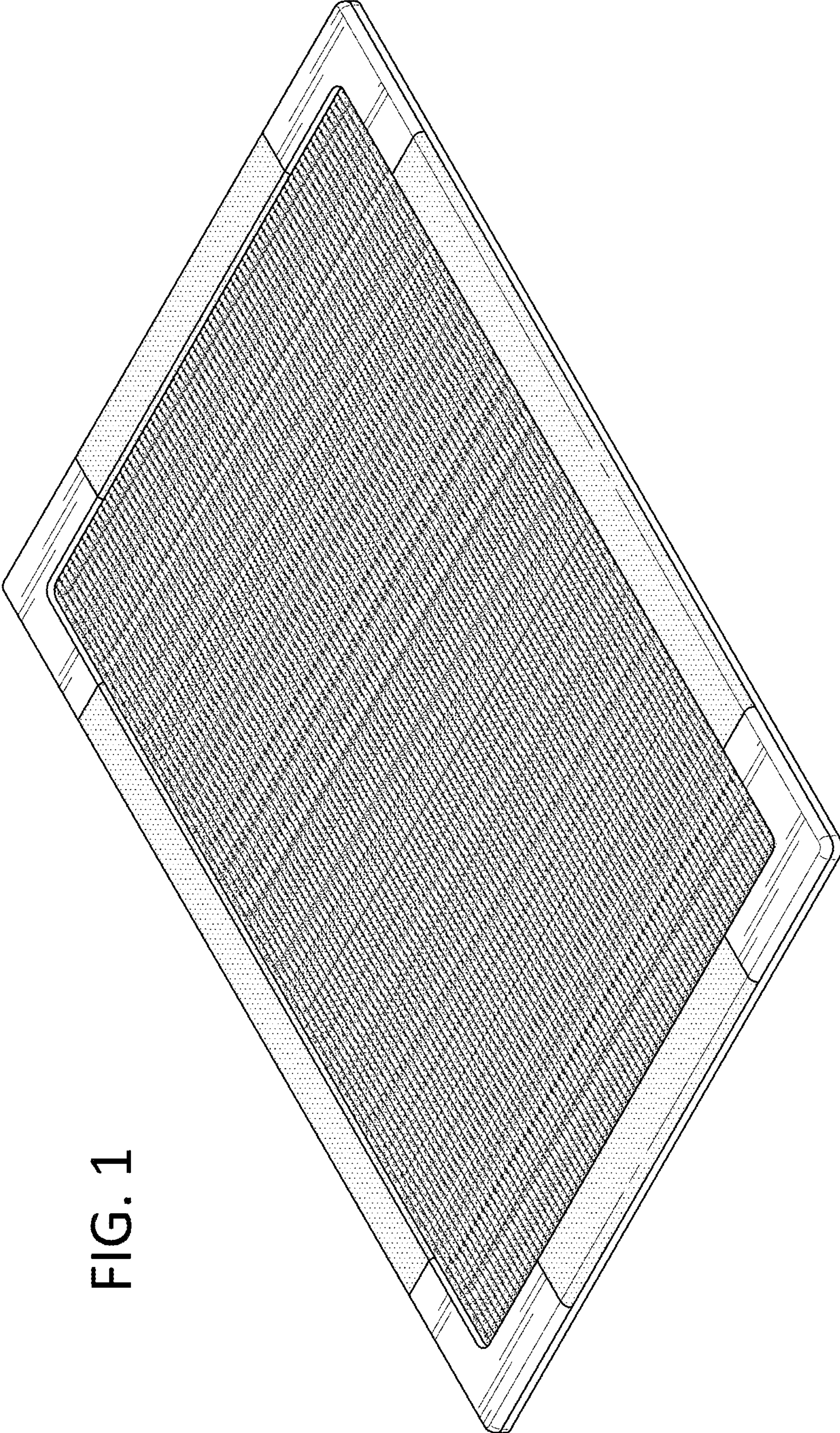


FIG. 1

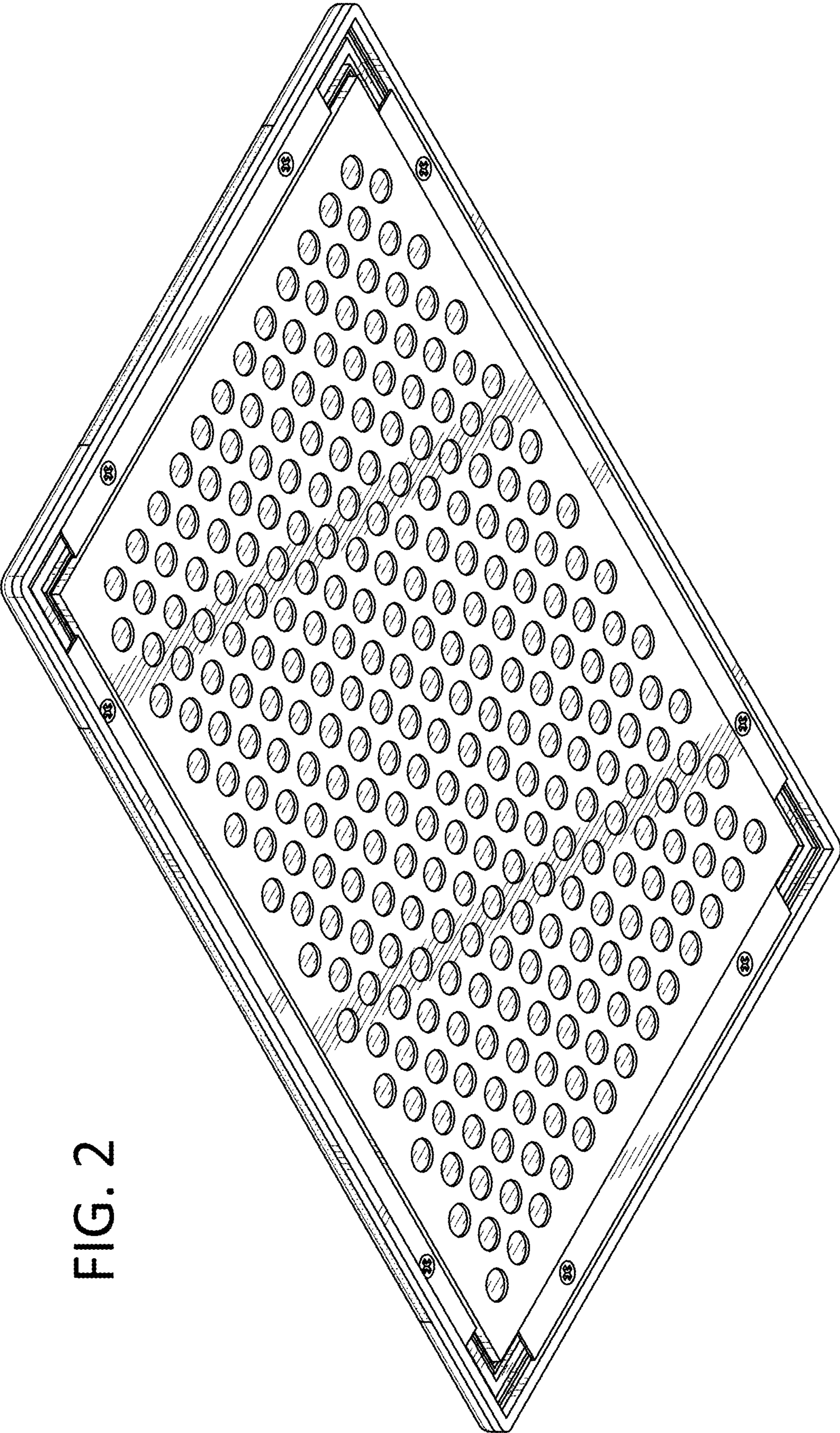


FIG. 2

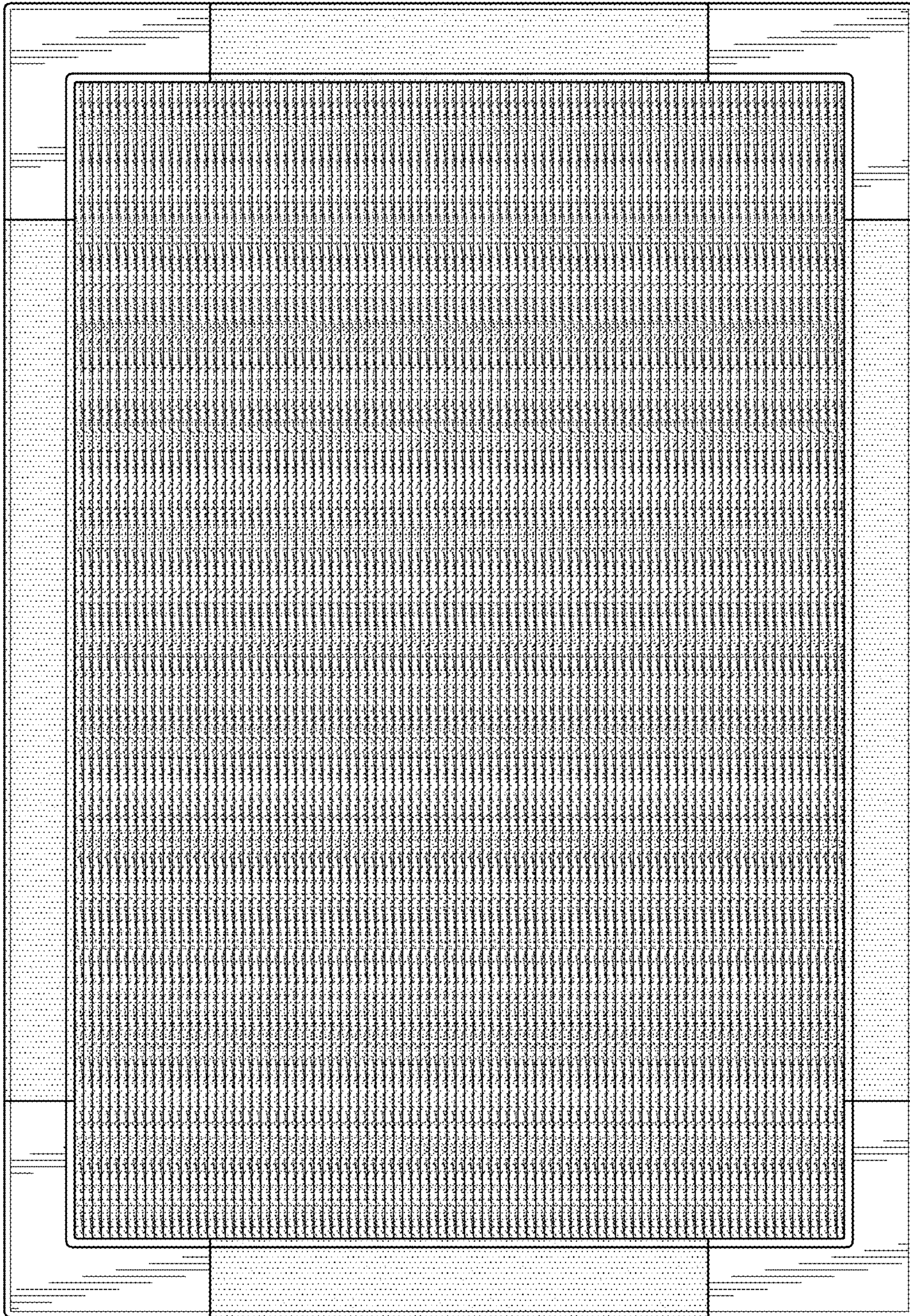


FIG. 3

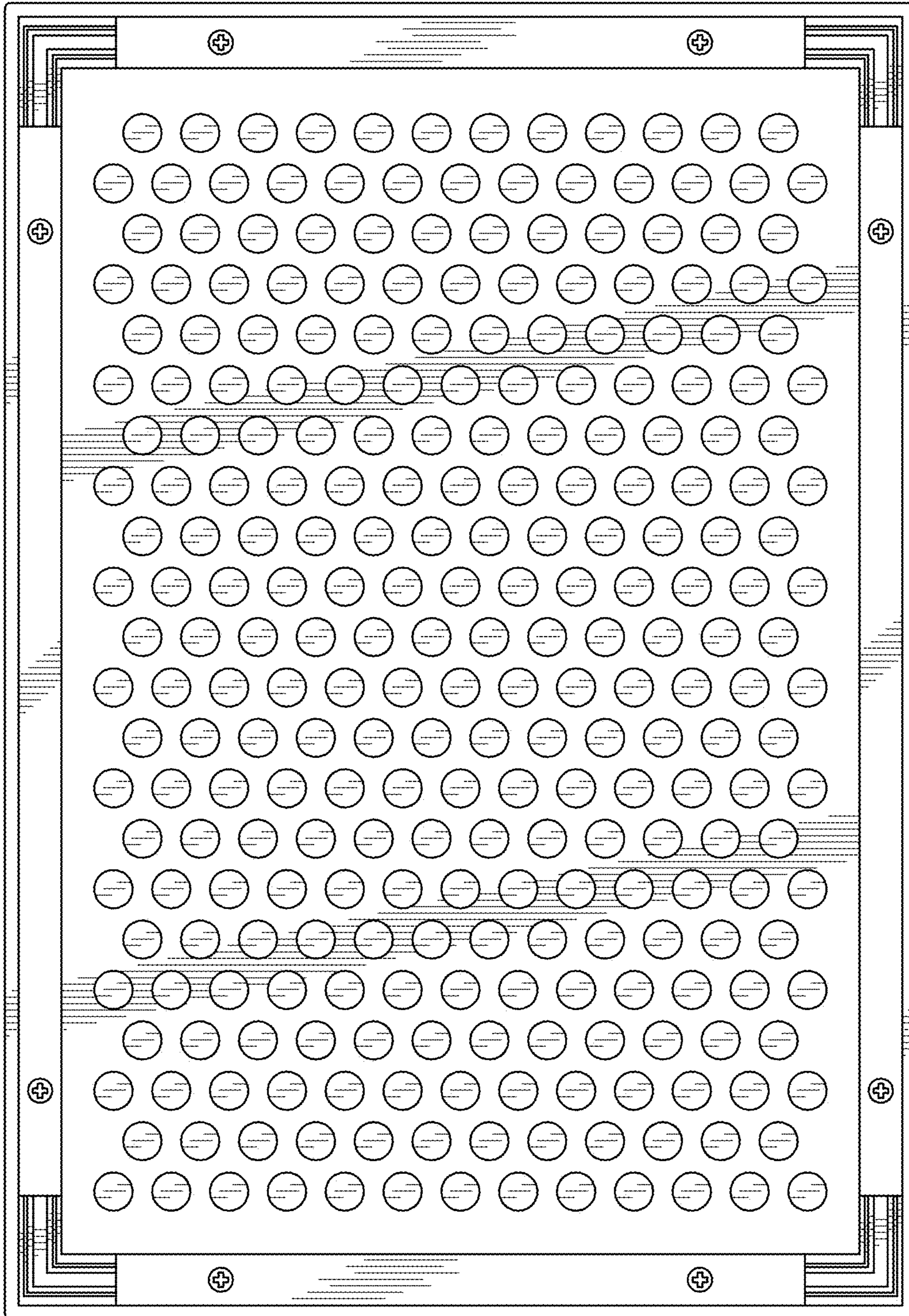


FIG. 4

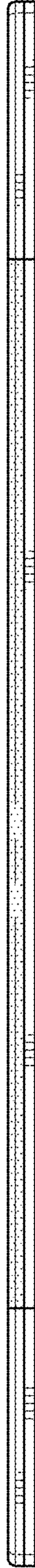


FIG. 5

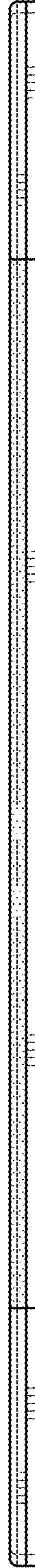


FIG. 6

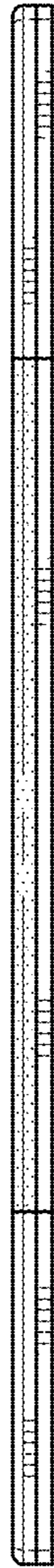


FIG. 7

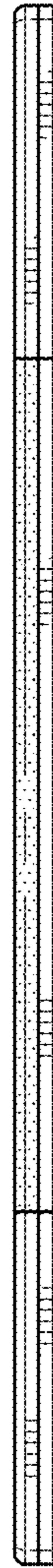


FIG. 8

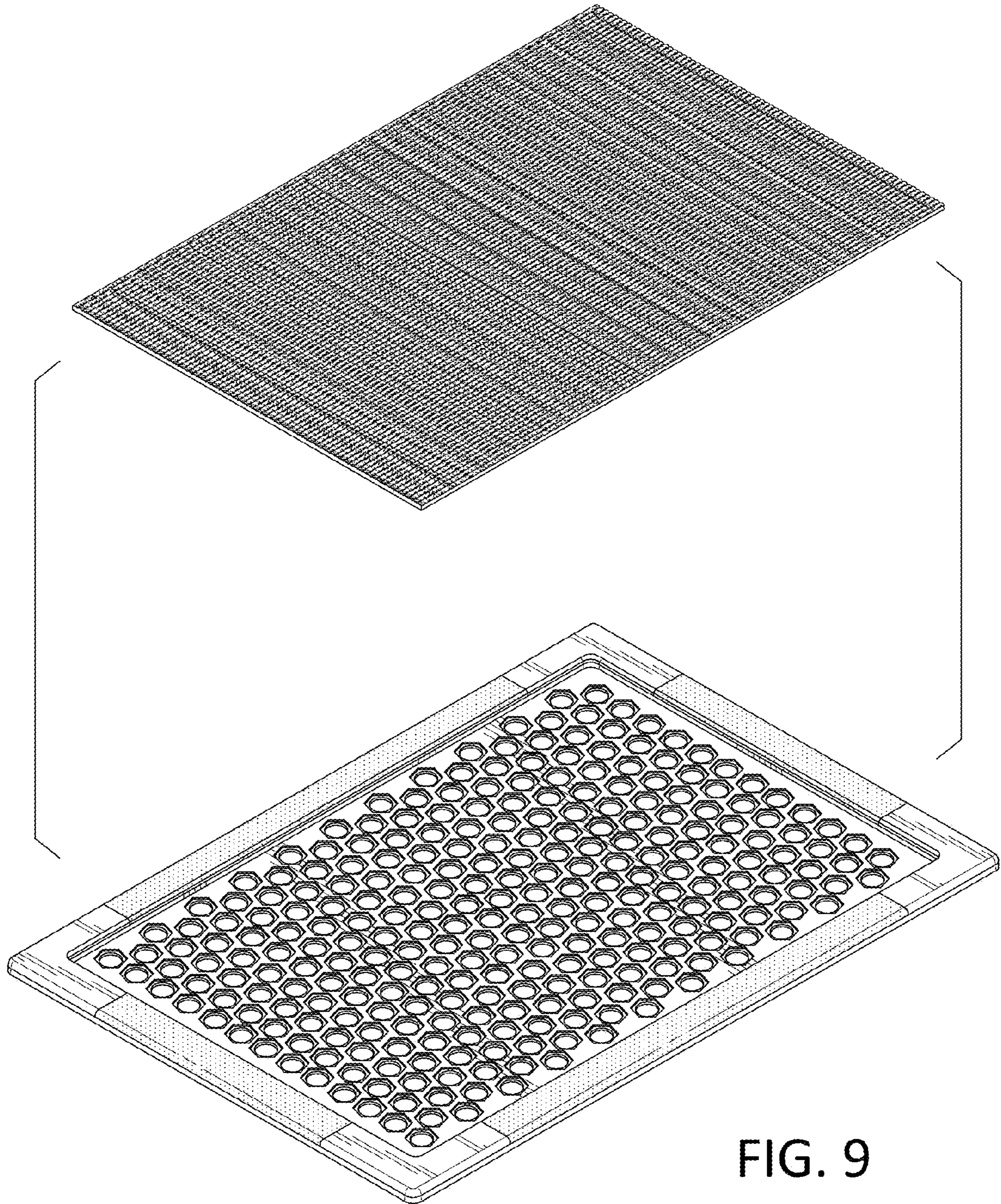


FIG. 9

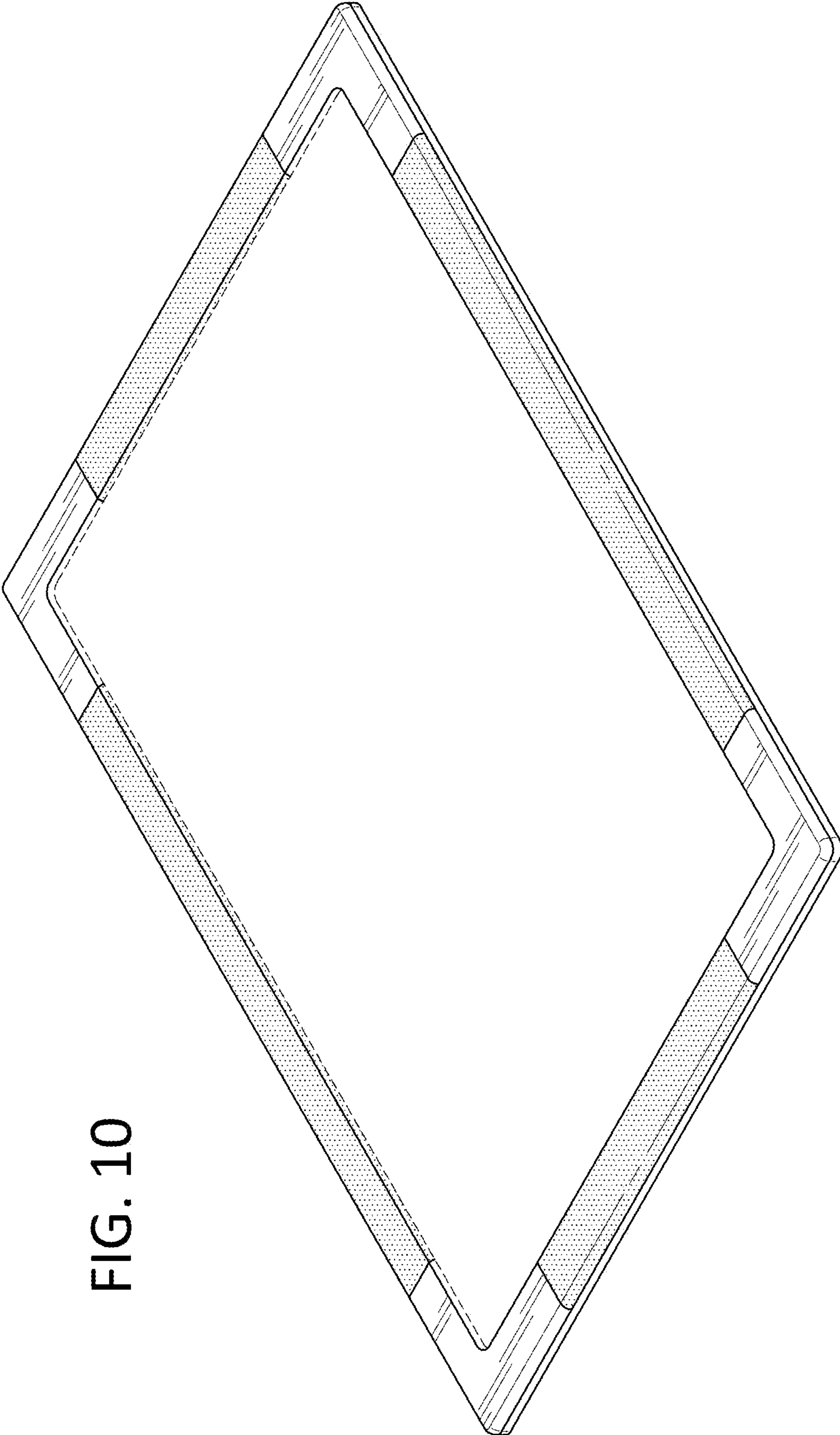


FIG. 10

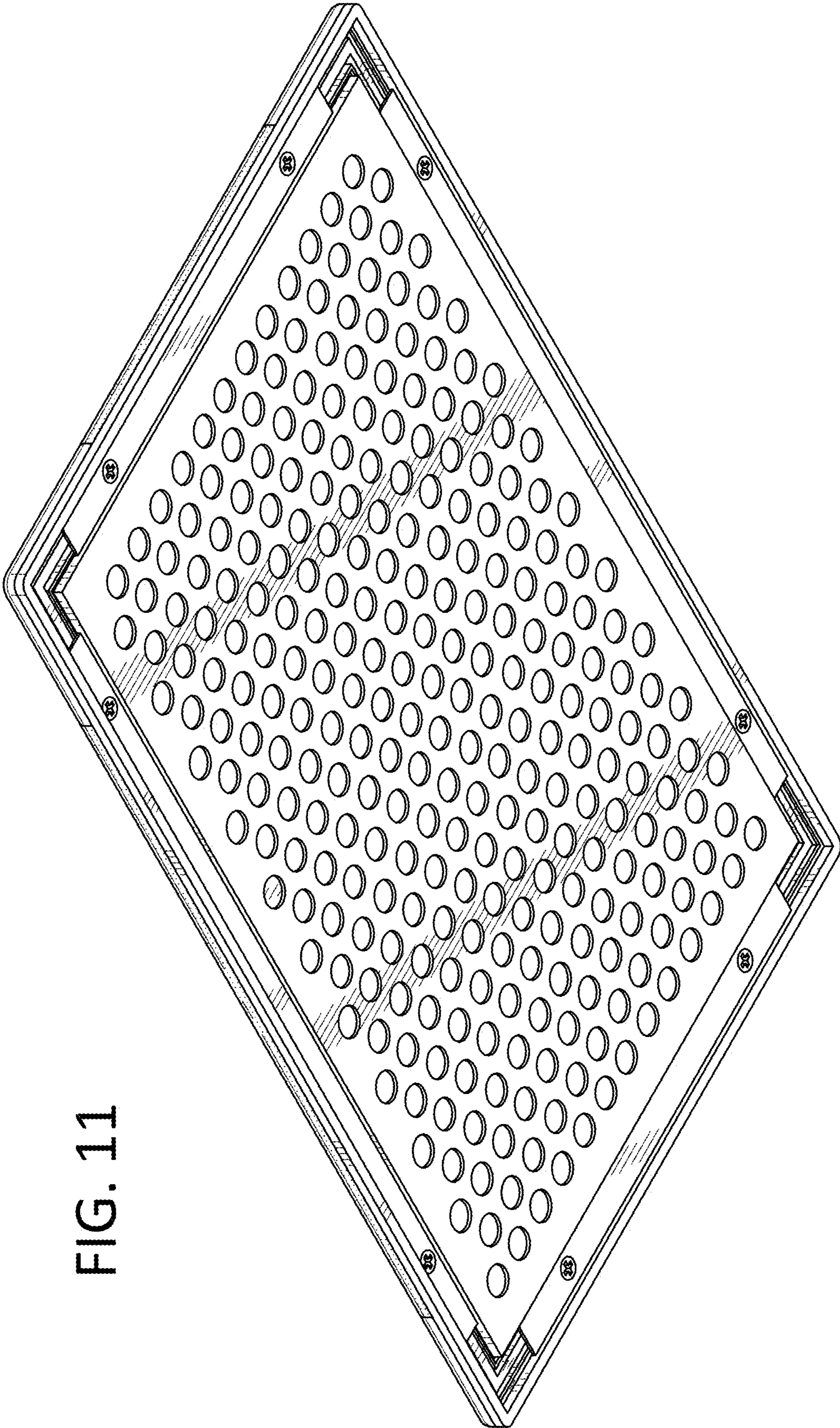


FIG. 11

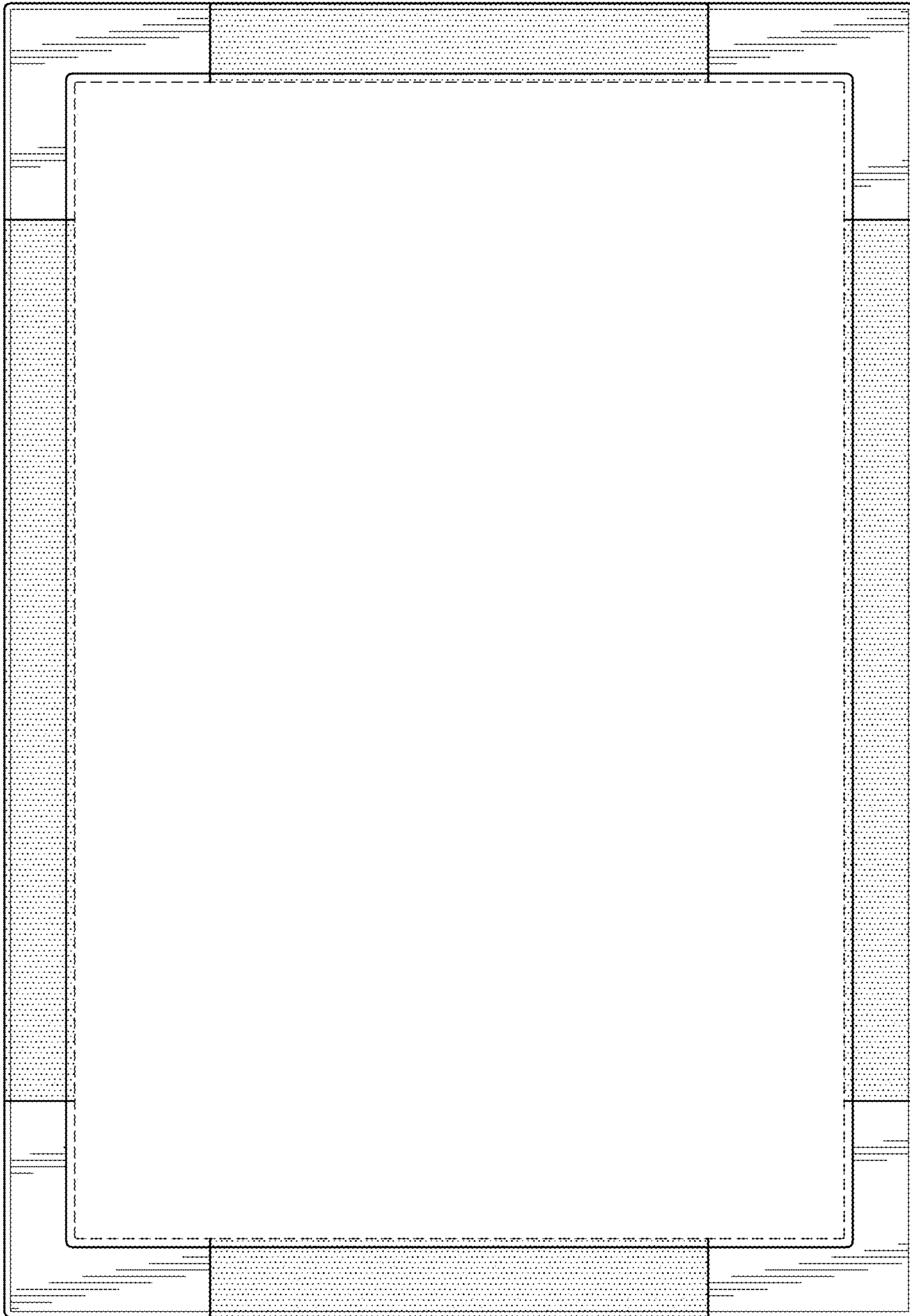


FIG. 12

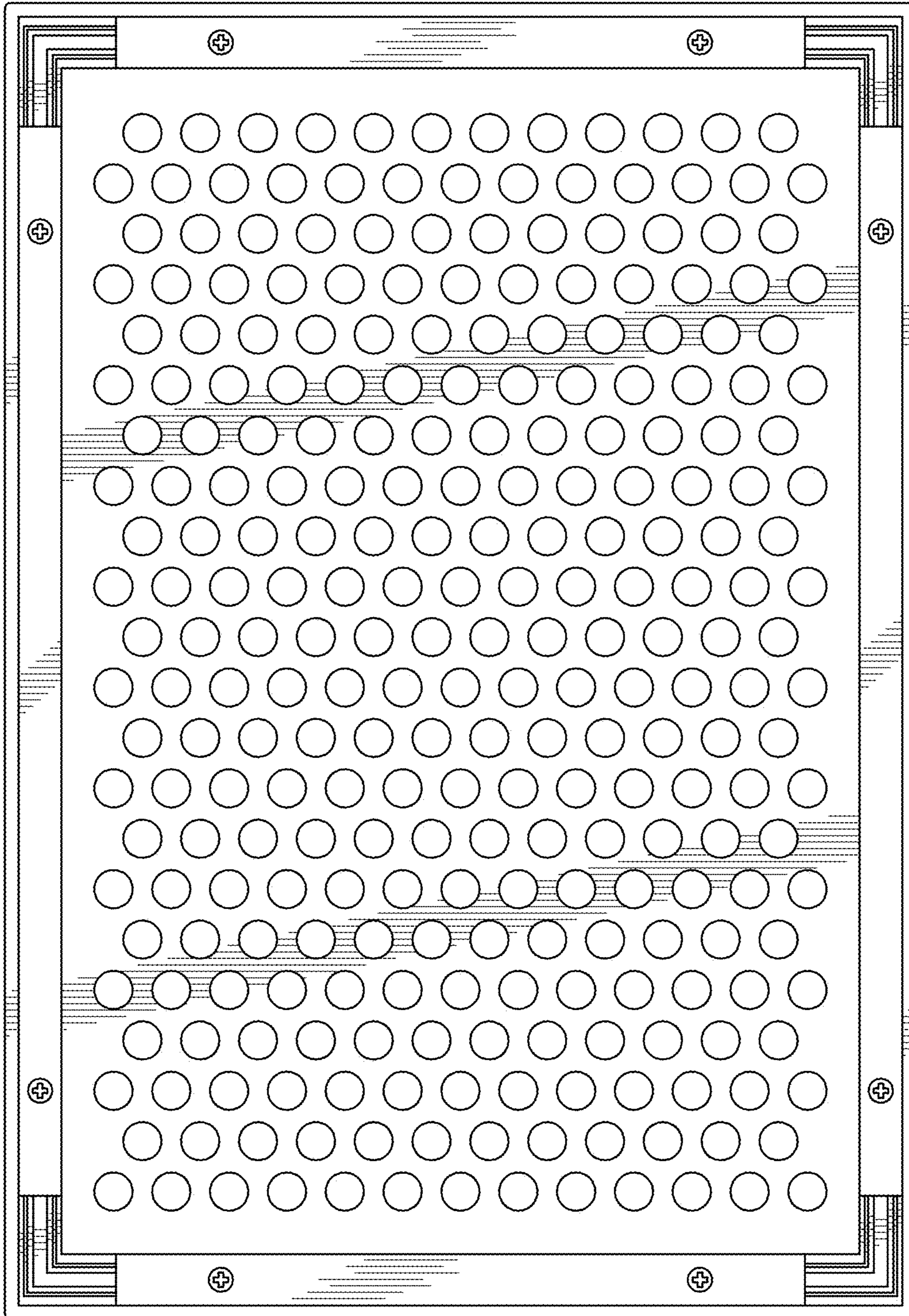


FIG. 13

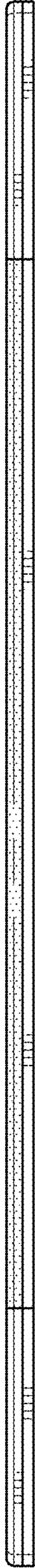


FIG. 14

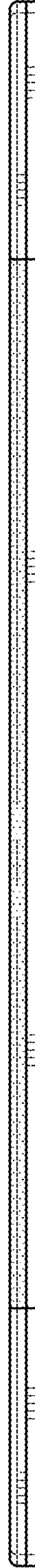


FIG. 15

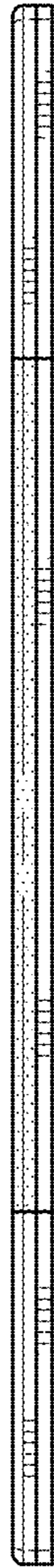


FIG. 16

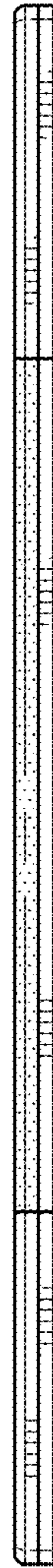


FIG. 17

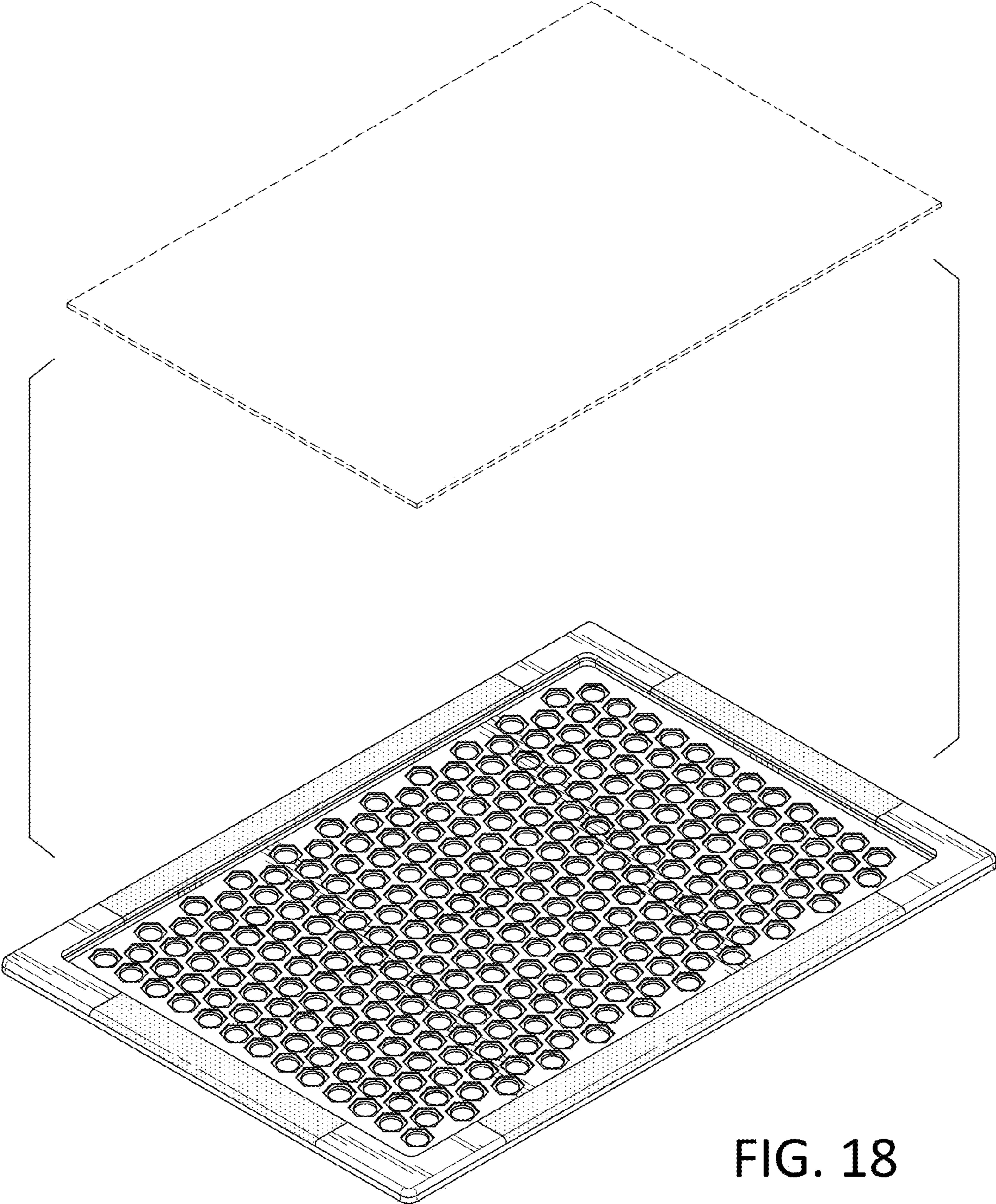


FIG. 18