



US00D893216S

(12) **United States Design Patent** (10) **Patent No.:** **US D893,216 S**
Goodman et al. (45) **Date of Patent:** **** Aug. 18, 2020**

(54) **BASKET WITH HOOKS**
(71) Applicant: **Spectrum Diversified Designs, LLC**,
Streetsboro, OH (US)
(72) Inventors: **Aaron Goodman**, Beachwood, OH
(US); **Courtney Wilson**, Chardon, OH
(US)
(73) Assignee: **SPECTRUM DIVERSIFIED
DESIGNS, LLC**, Streetsboro, OH (US)

D584,056 S * 1/2009 Ghiorghie D3/304
D616,680 S * 6/2010 Snider D6/513
D617,126 S * 6/2010 Snider D6/513
D661,935 S * 6/2012 Kozak D6/566
D698,186 S * 1/2014 Funchess D6/552
D704,959 S * 5/2014 Callif D6/567
D705,565 S * 5/2014 Schraufnagel D6/513
D746,592 S * 1/2016 Goodman D3/306
D771,972 S * 11/2016 Tsai D6/569
D774,798 S * 12/2016 Goodman D6/537

(Continued)

(**) Term: **15 Years**

(21) Appl. No.: **29/723,835**

(22) Filed: **Feb. 11, 2020**

Related U.S. Application Data

(63) Continuation of application No. 29/633,602, filed on
Jan. 15, 2018, now Pat. No. Des. 878,098.

(51) **LOC (12) Cl.** **06-04**

(52) **U.S. Cl.**
USPC **D6/566**

(58) **Field of Classification Search**
USPC D6/566, 553, 512-514, 567, 569, 572;
211/10, 11, 42, 45, 50, 88.01, 126.1,
211/13.1, 70.6, 70.7, 32, 35, 85.9, 54.1,
211/59.1, 66, 86.01, 56; D19/75-80, 86,
D19/87, 89-92; 206/215, 425, 556, 557;
248/200, 205.1, 235, 301, 304, 309.1,
248/309.2

CPC B65D 11/38; B65D 85/8043; A47B 17/03;
A47J 47/18; A47J 45/00; A47G 29/10;
A47G 29/12

See application file for complete search history.

(56) **References Cited**

U.S. PATENT DOCUMENTS

D479,663 S * 9/2003 Snell D6/525
D559,024 S * 1/2008 Tau D6/566

OTHER PUBLICATIONS

amazon.com, Spectrum Diversified Vintage Wire Basket & Hook
Station Wall Mount Storage, Small, Industrial Gray, Feb. 18, 2019,
https://www.amazon.com/Spectrum-Diversified-Vintage-Station-Industrial/dp/B07JCJSRQ/ref=cm_cr_arp_d_product_top?ie=UTF8 (Year: 2019).*

(Continued)

Primary Examiner — Nathan M Johnston
(74) *Attorney, Agent, or Firm* — Tucker Ellis LLP

(57) **CLAIM**

The ornamental design for a basket with hooks, as shown
and described.

DESCRIPTION

FIG. 1 is a perspective view of a basket with hooks showing
our new design.

FIG. 2 is a front view thereof.

FIG. 3 is a rear view thereof.

FIG. 4 is a left side view thereof.

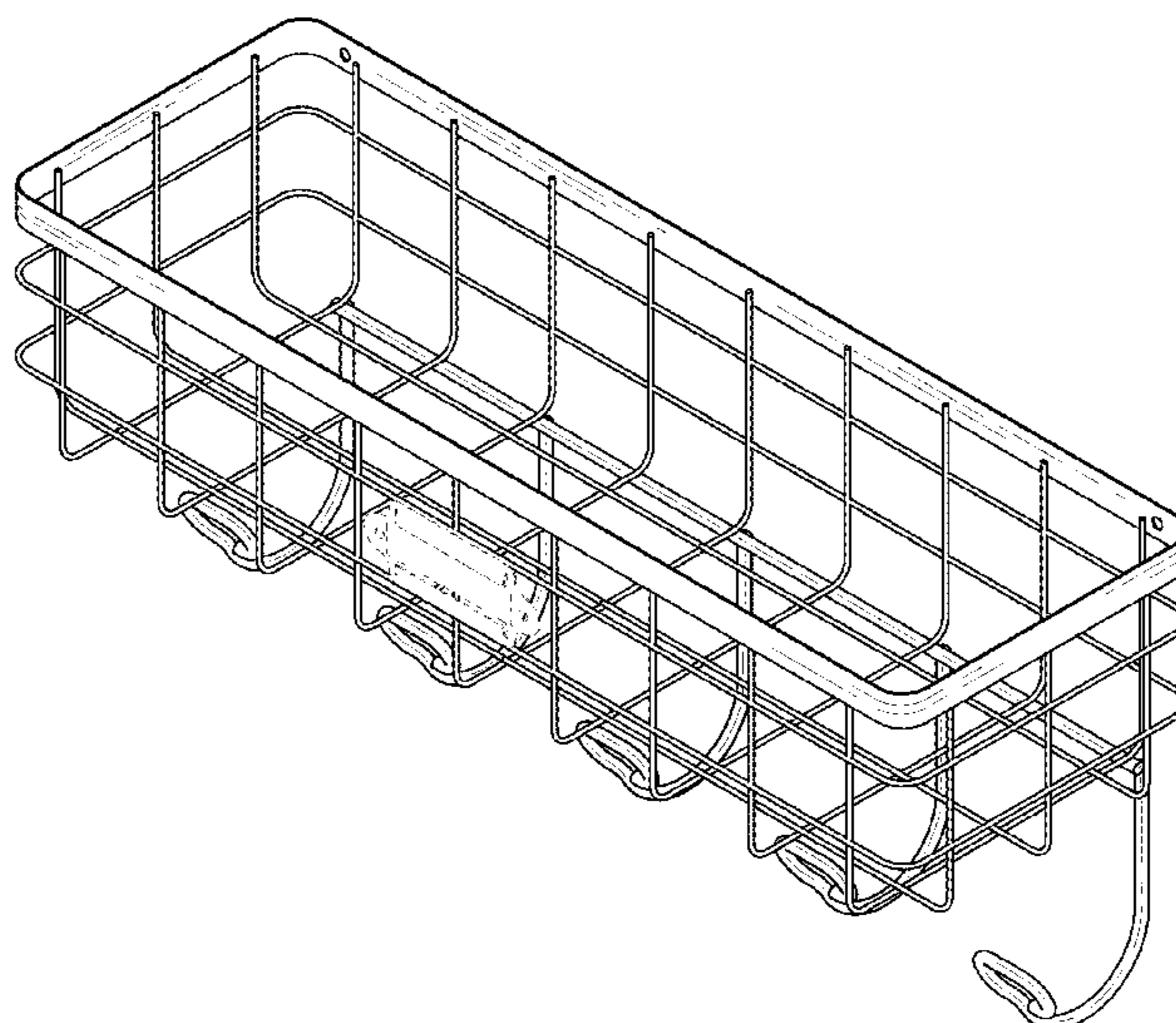
FIG. 5 is a right side view thereof.

FIG. 6 is a bottom view thereof; and,

FIG. 7 is a top view thereof.

The broken lines show portions of the design that form no
part of the claimed design.

1 Claim, 4 Drawing Sheets



(56)

References Cited

U.S. PATENT DOCUMENTS

D784,721 S 4/2017 Goodman
D786,557 S * 5/2017 Goodman D3/306

OTHER PUBLICATIONS

Franklin Brass FBMAIL4-ZP-R Industrial Style Wire Mail Holder
| Amazon web page, https://www.amazon.com/Franklin-Brass-FBMAIL4-ZP-R-Industrial-Holder/dp/B01M046CVY/ref=asc_df_B01M046CVY/?tag=bingshoppinga-20&linkCode=df0&hvadid={creative}&hvpos={adposition}&hvnetw=o&hvrnd={random}&hvpon=&hvptwo=&hvqmt=e&hvdev=c&hvdvmdl={devicemodel}&hvlocint=&hvlocphy=&hvtargid=pla-4583795260420811&psc=1, dated: Dec. 15, 2017, 1 page.
U.S. Appl. No. 29/633,602, filed Jan. 15, 2018, 7 pages.

* cited by examiner

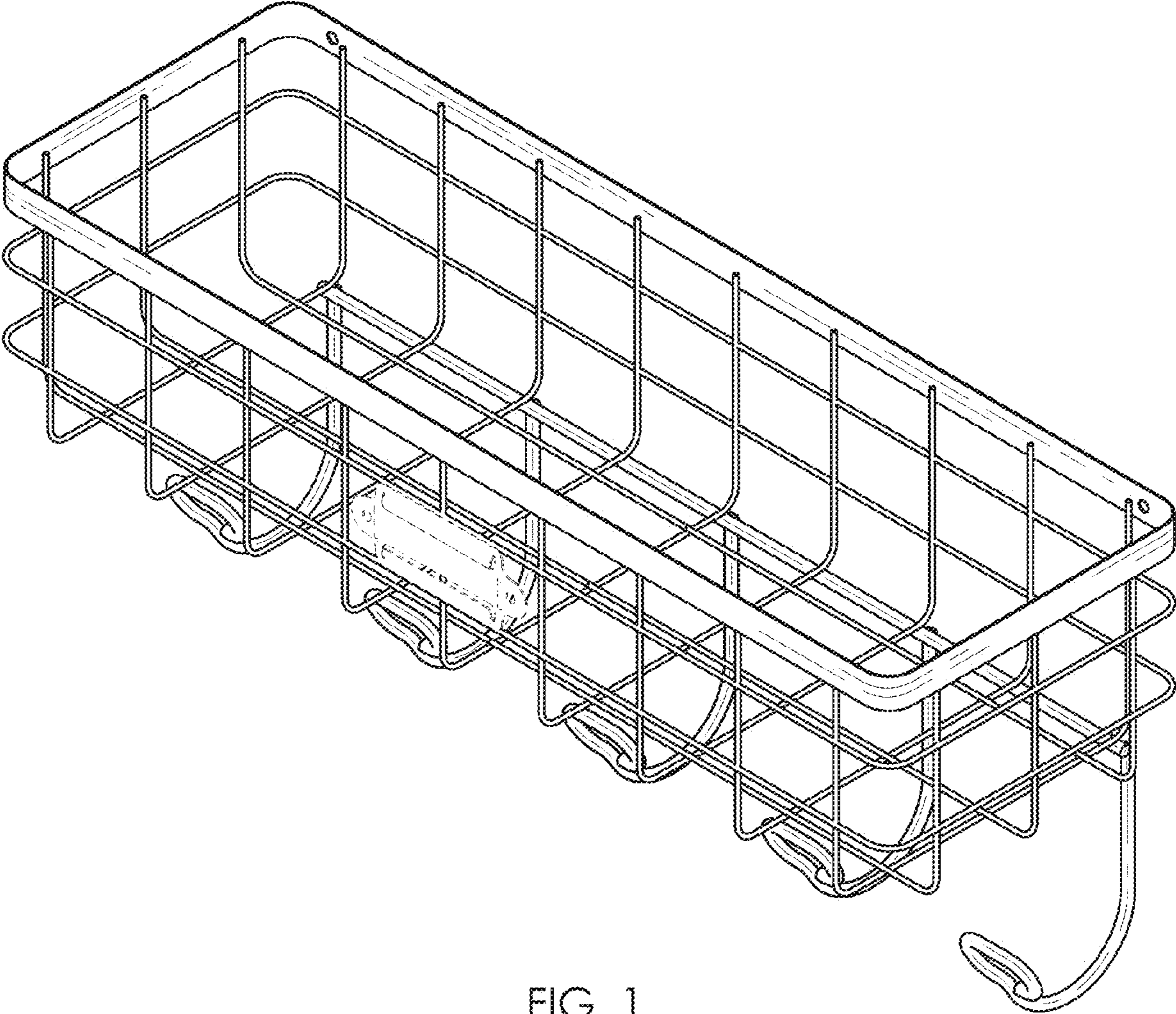


FIG. 1

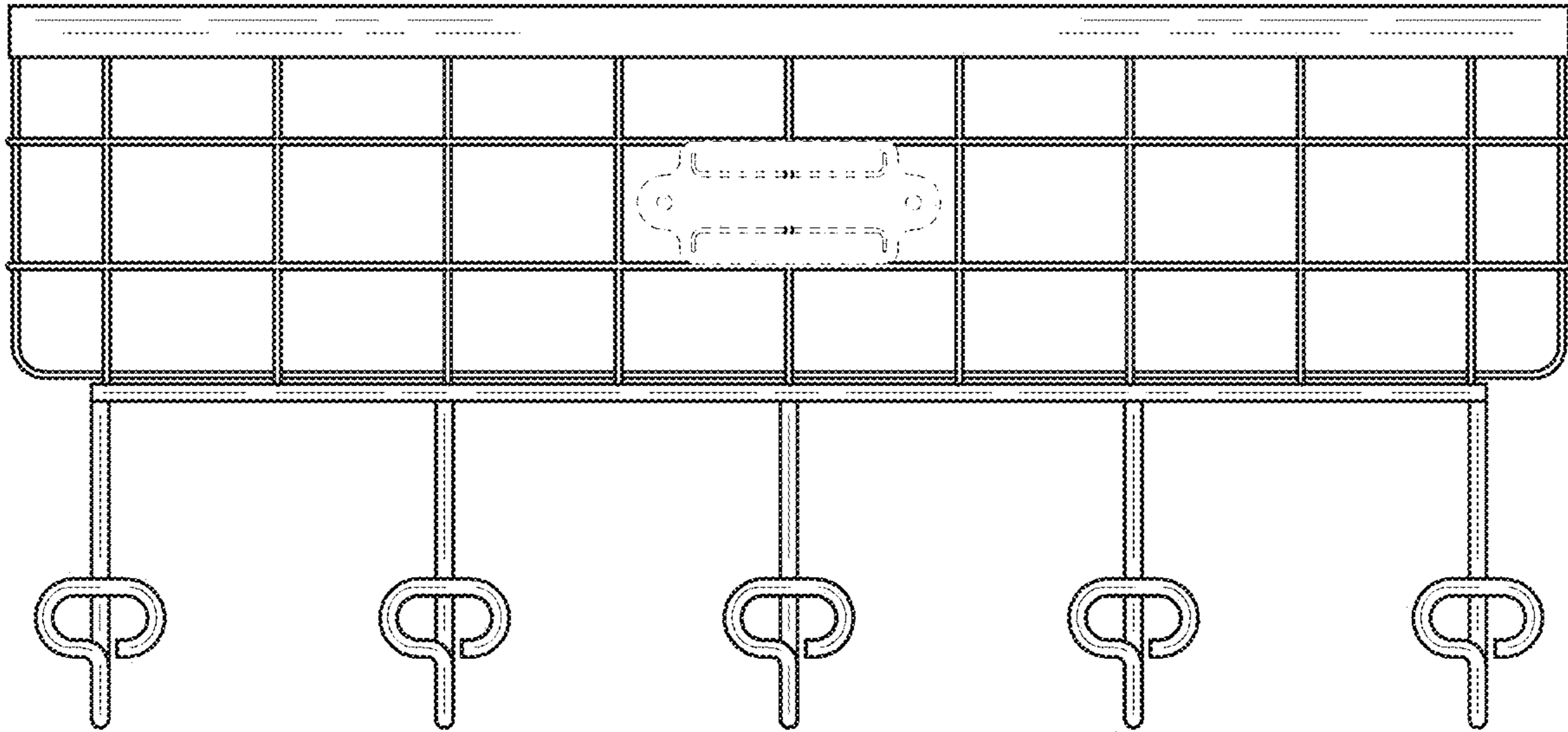


FIG. 2

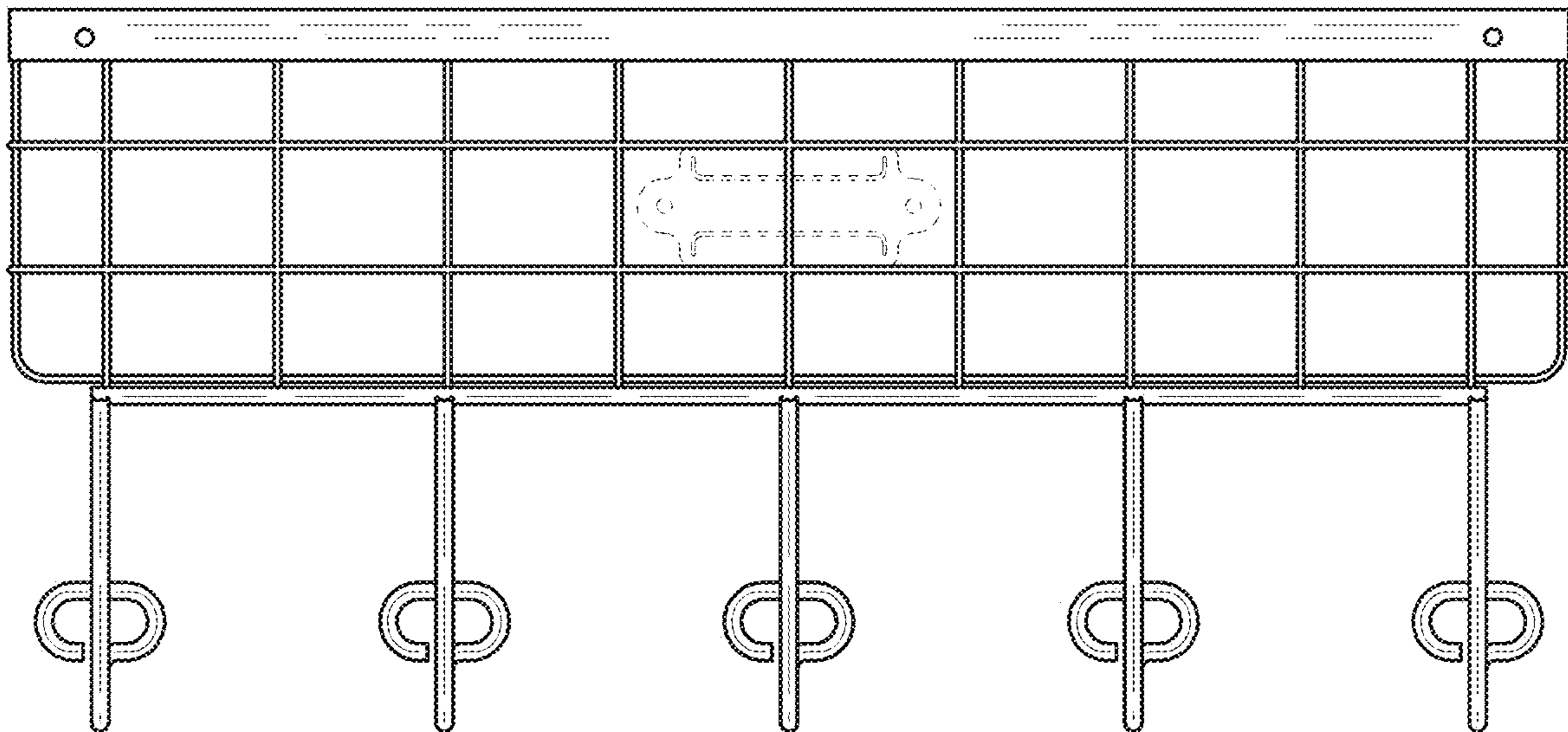


FIG. 3

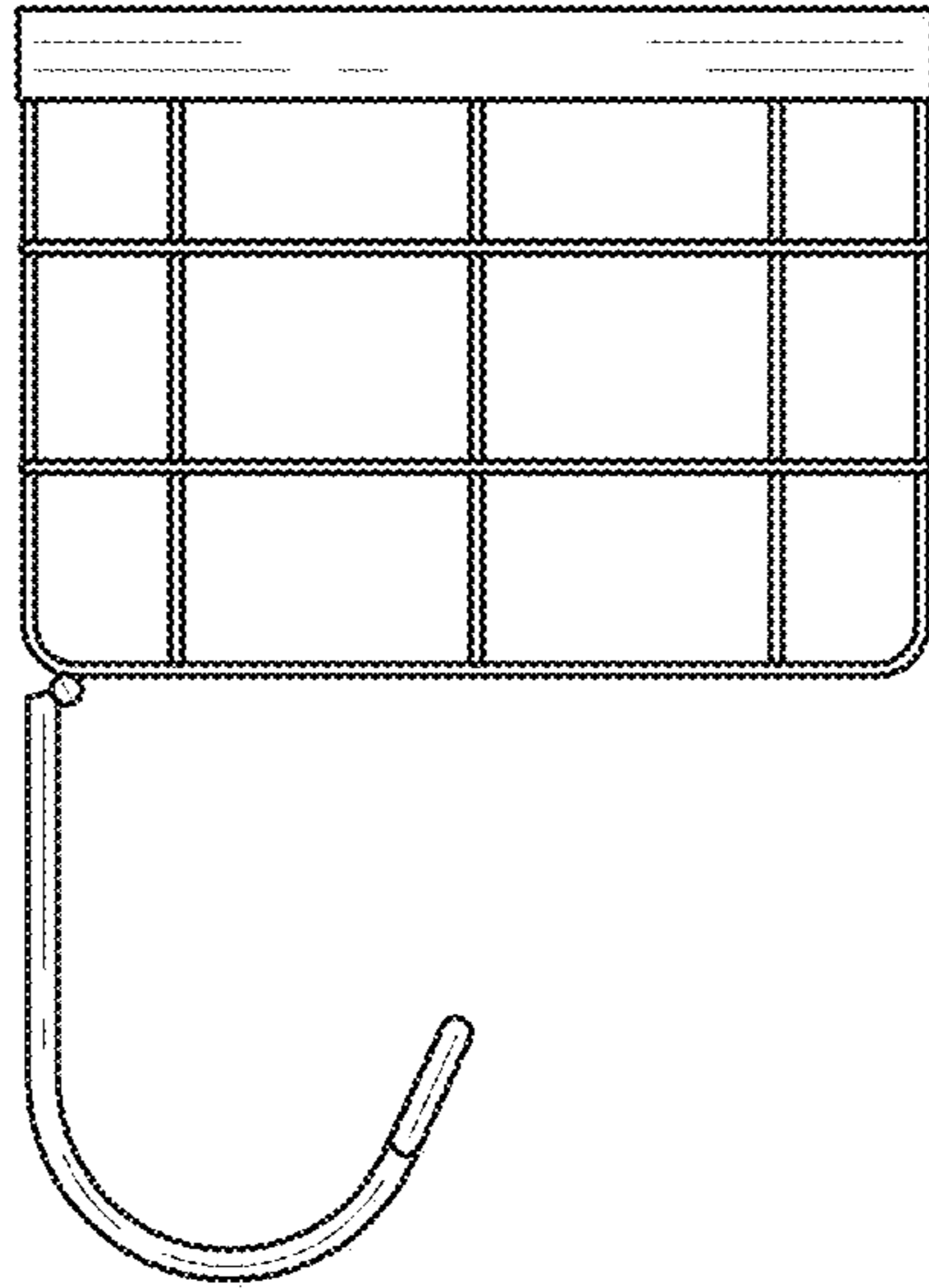


FIG. 4

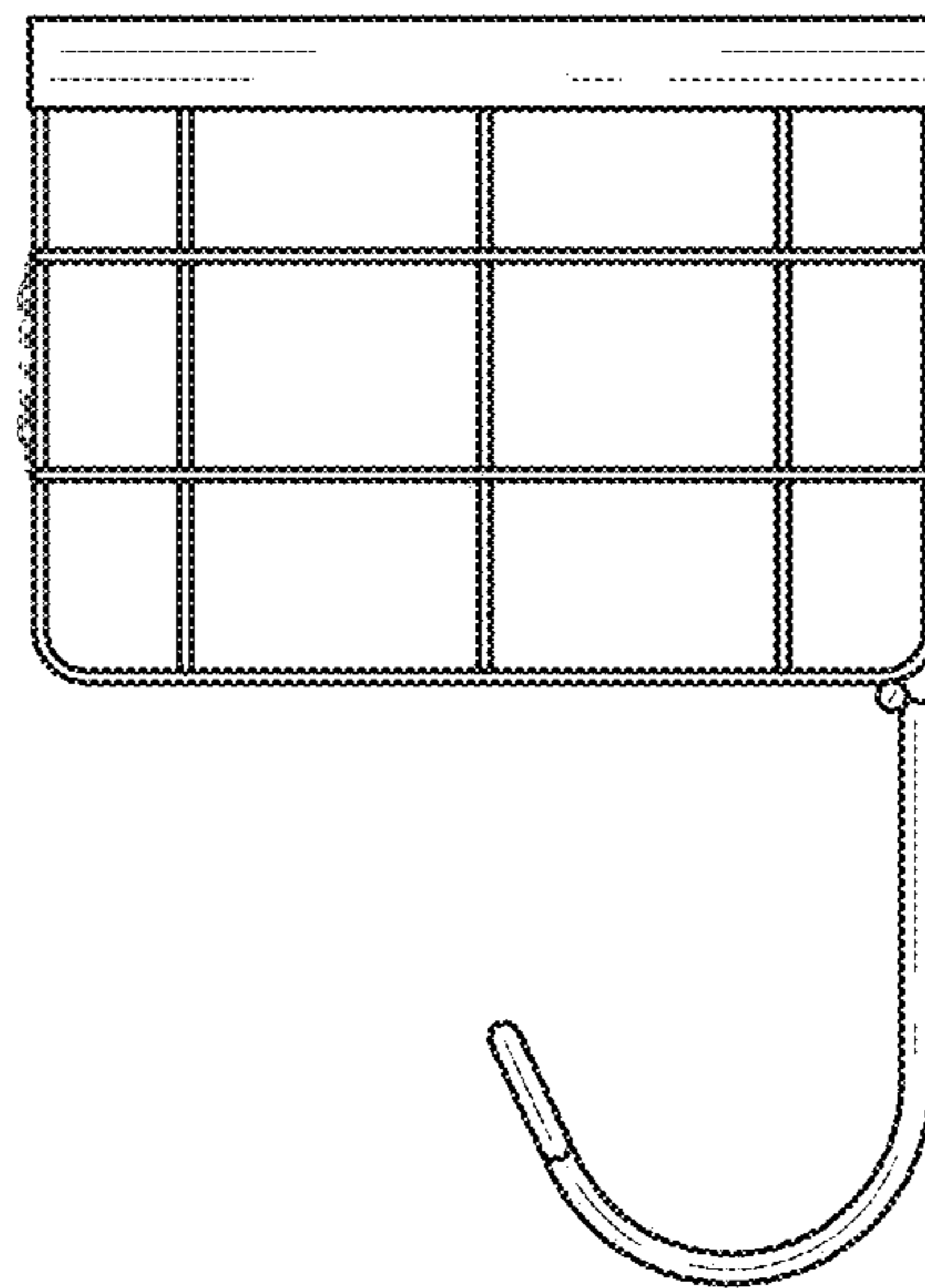


FIG. 5

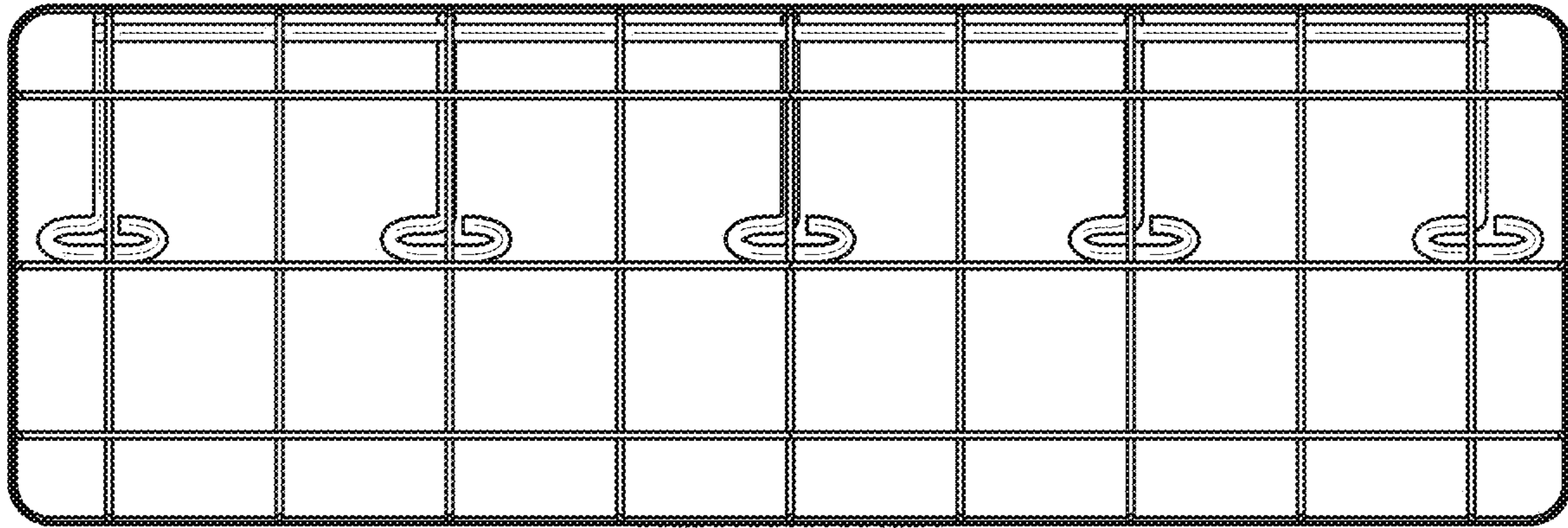


FIG. 6

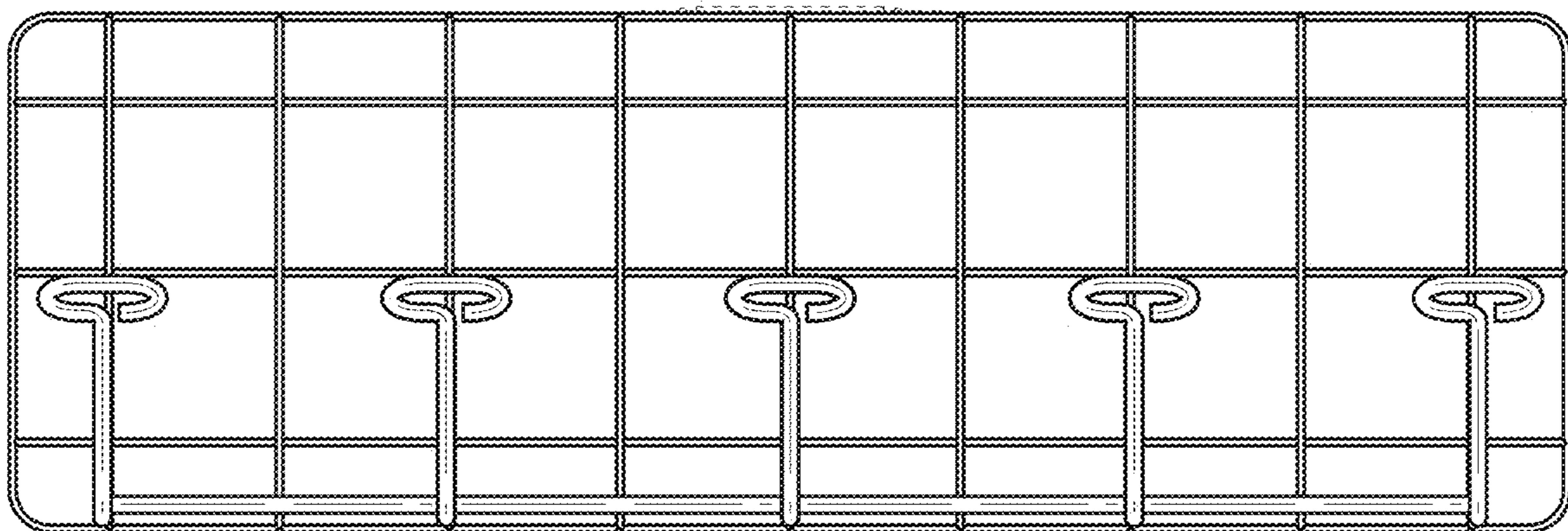


FIG. 7