



US00D893215S

(12) **United States Design Patent**
Qiu

(10) **Patent No.:** **US D893,215 S**

(45) **Date of Patent:** **** Aug. 18, 2020**

(54) **SOFA**

(71) Applicant: **VOSSON INC**, Tustin, CA (US)

(72) Inventor: **Yun Qiu**, Tianjin (CN)

(**) Term: **15 Years**

(21) Appl. No.: **29/731,405**

(22) Filed: **Apr. 15, 2020**

(51) **LOC (12) Cl.** **06-01**

(52) **U.S. Cl.**
USPC **D6/381**

(58) **Field of Classification Search**
USPC D6/334–336, 349, 369, 377, 379, 381
CPC A47C 17/00; A47C 17/02; A47C 17/04;
A47C 17/045; A47C 17/12; A47C
17/132; A47C 17/136
See application file for complete search history.

(56) **References Cited**

U.S. PATENT DOCUMENTS

- 2,822,861 A * 2/1958 Parent A47C 3/025
248/394
- 2,950,753 A * 8/1960 Gleitsman A47C 16/025
297/188.01
- D253,263 S * 10/1979 Long D6/371
- D258,401 S * 3/1981 Beall, Jr. D6/381
- D269,746 S * 7/1983 Brooks D6/381

(Continued)

OTHER PUBLICATIONS

“Poundex Bobkona Viola Sectional Set.” Found online May 21, 2020 at www.amazon.com. Product reviewed Apr. 18, 2017. Retrieved from URL: https://www.amazon.com/Poundex-F6974-Linen-Like-Polyfabric-Sectional/dp/B01N3XQJRI/ref=sr_1_13?dchild=1&keywords=nailhead%2Bsofa&qid=1590080910&sr=8-13&th=1 (Year: 2017).*

(Continued)

Primary Examiner — Michael C Stout
Assistant Examiner — Katelin G Kloberg

(57) **CLAIM**

The ornamental design for a sofa, as shown and described.

DESCRIPTION

FIG. 1 is a top, front, left side perspective view of a first component of a sofa showing my new design with a second component removed;

FIG. 2 is a bottom, rear, right side perspective view thereof;

FIG. 3 is a front elevation view thereof;

FIG. 4 is a rear elevation view thereof;

FIG. 5 is a left side elevation view thereof;

FIG. 6 is a right side elevation view thereof;

FIG. 7 is a top plan view thereof;

FIG. 8 is a bottom plan view thereof;

FIG. 9 is a top, front, left side perspective view of a second component of the sofa, showing my new design in an open configuration, with the first component removed;

FIG. 10 is a bottom, rear, right side perspective view thereof;

FIG. 11 is a front elevation view thereof;

FIG. 12 is a rear elevation view thereof;

FIG. 13 is a left side elevation view thereof;

FIG. 14 is a right side elevation view thereof;

FIG. 15 is a top plan view thereof;

FIG. 16 is a bottom plan view thereof;

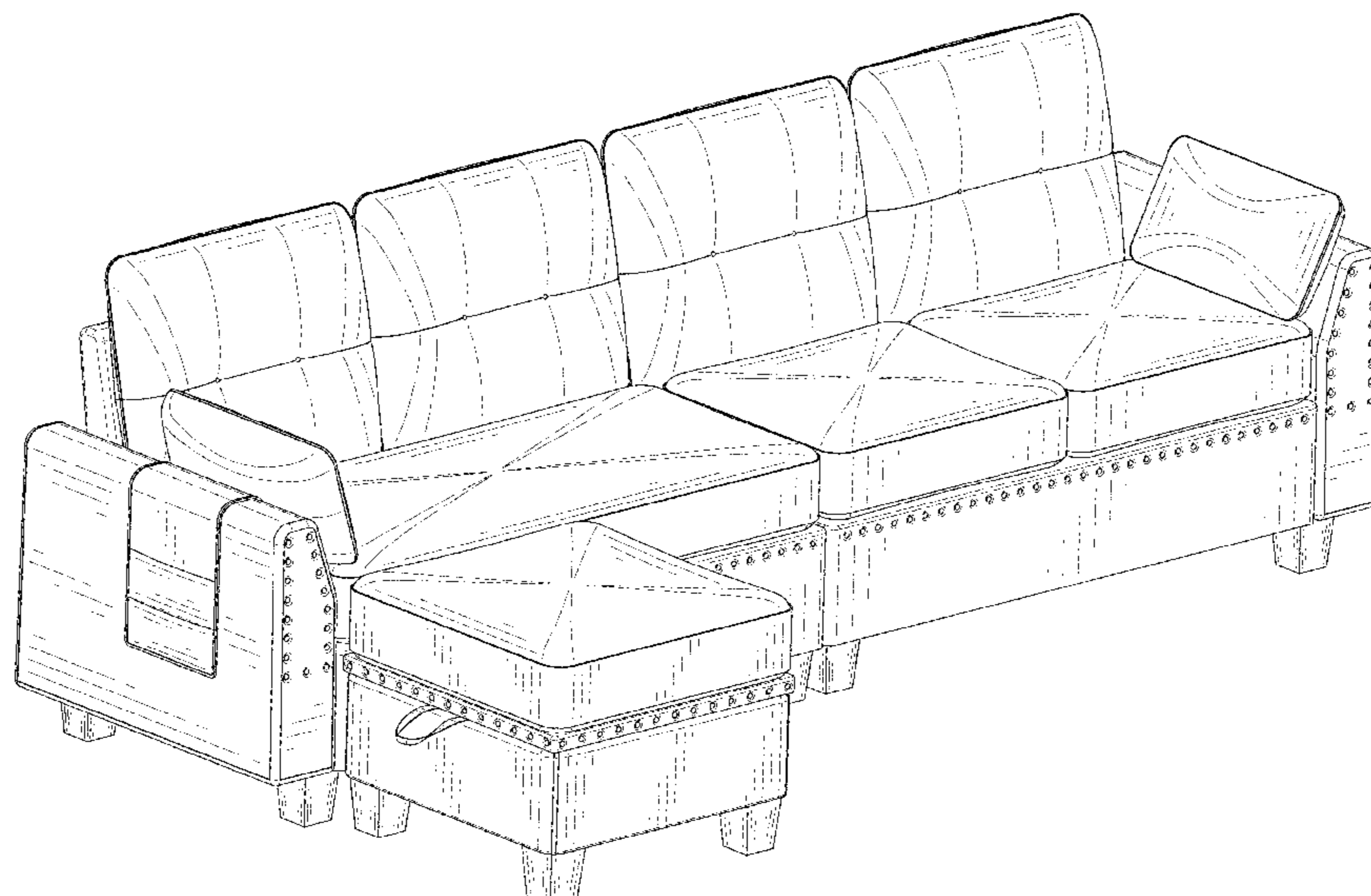
FIG. 17 is a top, front, left side perspective view thereof, shown in a closed configuration;

FIG. 18 is a top, front, left side perspective view of the sofa, showing both the first and second components in a first condition of use;

FIG. 19 is a top, front, left side perspective view of the sofa, showing both the first and second components in a second condition of use; and,

FIG. 20 is an enlarged view of detail 20 shown in FIG. 1. The broken lines in the drawings depict portions of the sofa that form no part of the claimed design.

1 Claim, 20 Drawing Sheets



(56)

References Cited

U.S. PATENT DOCUMENTS

D282,888 S *	3/1986	Williams	D6/381	D717,560 S *	11/2014	Barber	D6/381
5,326,153 A *	7/1994	Muffi	A47C 1/035	D718,551 S *	12/2014	Banda	D6/381
				297/232	D719,757 S *	12/2014	Sonmez	D6/381
5,466,041 A *	11/1995	Hoffman	A47C 7/62	D725,921 S *	4/2015	Banda	D6/349
				297/188.1	D737,594 S *	9/2015	Rafieha	D6/381
D382,124 S *	8/1997	Chandler	D6/349	D738,642 S *	9/2015	Adair	D6/381
D399,361 S *	10/1998	Natuzzi	D6/381	D798,072 S	9/2017	Massaud		
D399,364 S *	10/1998	Natuzzi	D6/381	D841,992 S *	3/2019	Kershner	D6/335
D455,574 S *	4/2002	Rosson	D6/381	D842,619 S *	3/2019	Ji	D6/369
D477,152 S	7/2003	Levy			D861,369 S *	10/2019	Citterio	D6/375
D481,227 S	10/2003	Lenger			2011/0101747 A1*	5/2011	Chen	A47C 13/005
D494,376 S *	8/2004	Natuzzi	D6/335					297/233
D497,733 S *	11/2004	Ricci	D6/334	2016/0286968 A1*	10/2016	Warren	A47C 17/86
D498,941 S *	11/2004	Ricci	D6/335					
D499,898 S *	12/2004	Ricci	D6/334					
D541,075 S *	4/2007	Natuzzi	D6/381					
D571,574 S *	6/2008	Natuzzi	D6/381					
D590,179 S *	4/2009	Natuzzi	D6/381					
D662,337 S *	6/2012	Arko	D6/717					
D674,210 S *	1/2013	Citterio	D6/381					
D677,490 S *	3/2013	Manzoni	D6/381					
D677,493 S *	3/2013	Masson	D6/381					
D691,826 S *	10/2013	Banda	D6/381					
D717,063 S *	11/2014	Zhang	D6/381					

OTHER PUBLICATIONS

“Florence Blue and Gray Sectional Sofa with Ottoman.” Found online May 21, 2020 at www.homedepot.com. Product reviewed Jul. 19, 2018. Retrieved from URL: <https://www.homedepot.com/p/Venetian-Worldwide-Florence-Blue-and-Gray-Sectional-Sofa-with-Ottoman-VENE-F6975/303716677> (Year: 2018).*

“P Purlove Sectional Sofa Set.” Found online May 21, 2020 at www.amazon.com. Product first available Apr. 2, 2020. Retrieved from URL: <https://tinyurl.com/y82nnz9d> (Year: 2020).*

* cited by examiner

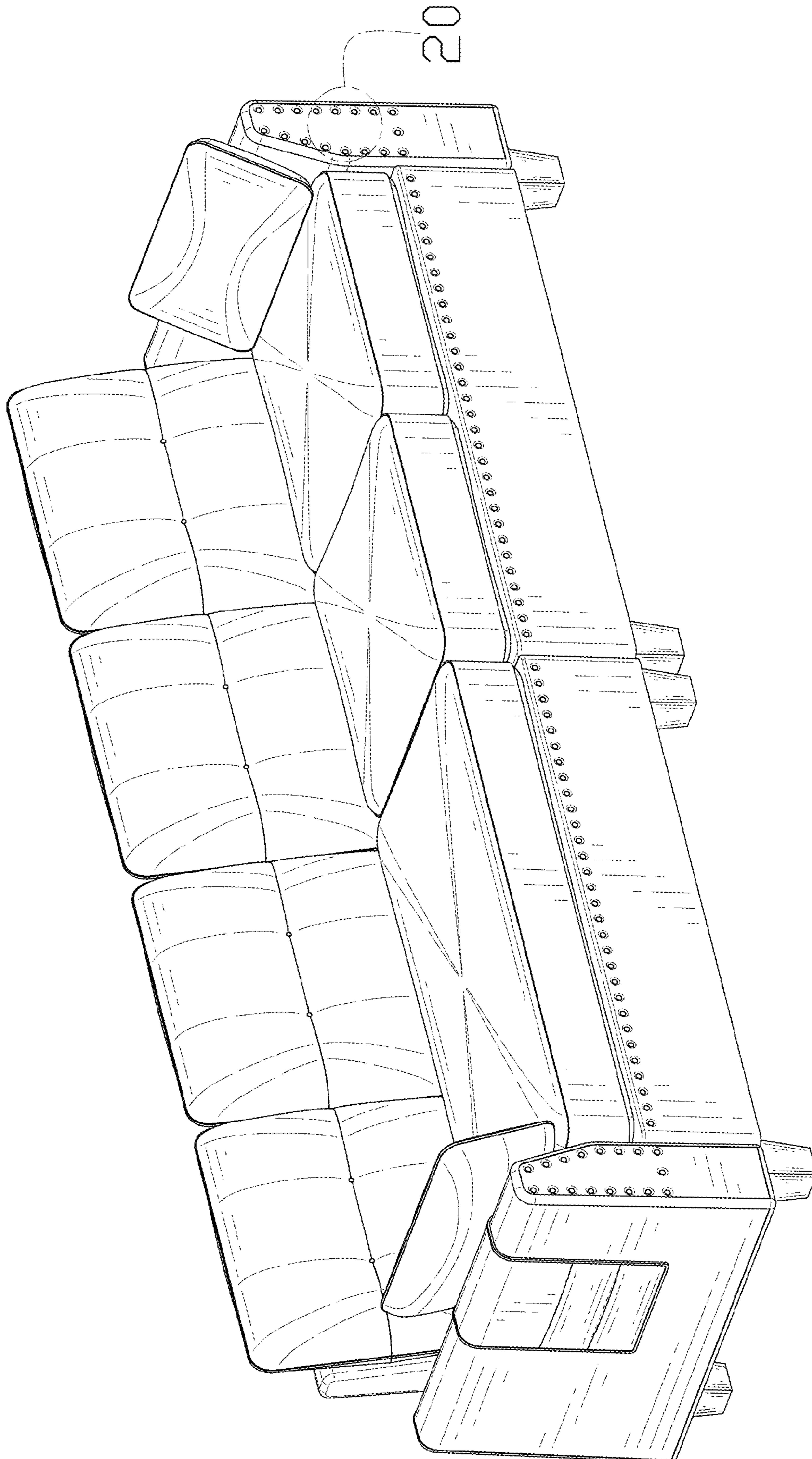


FIG. 1

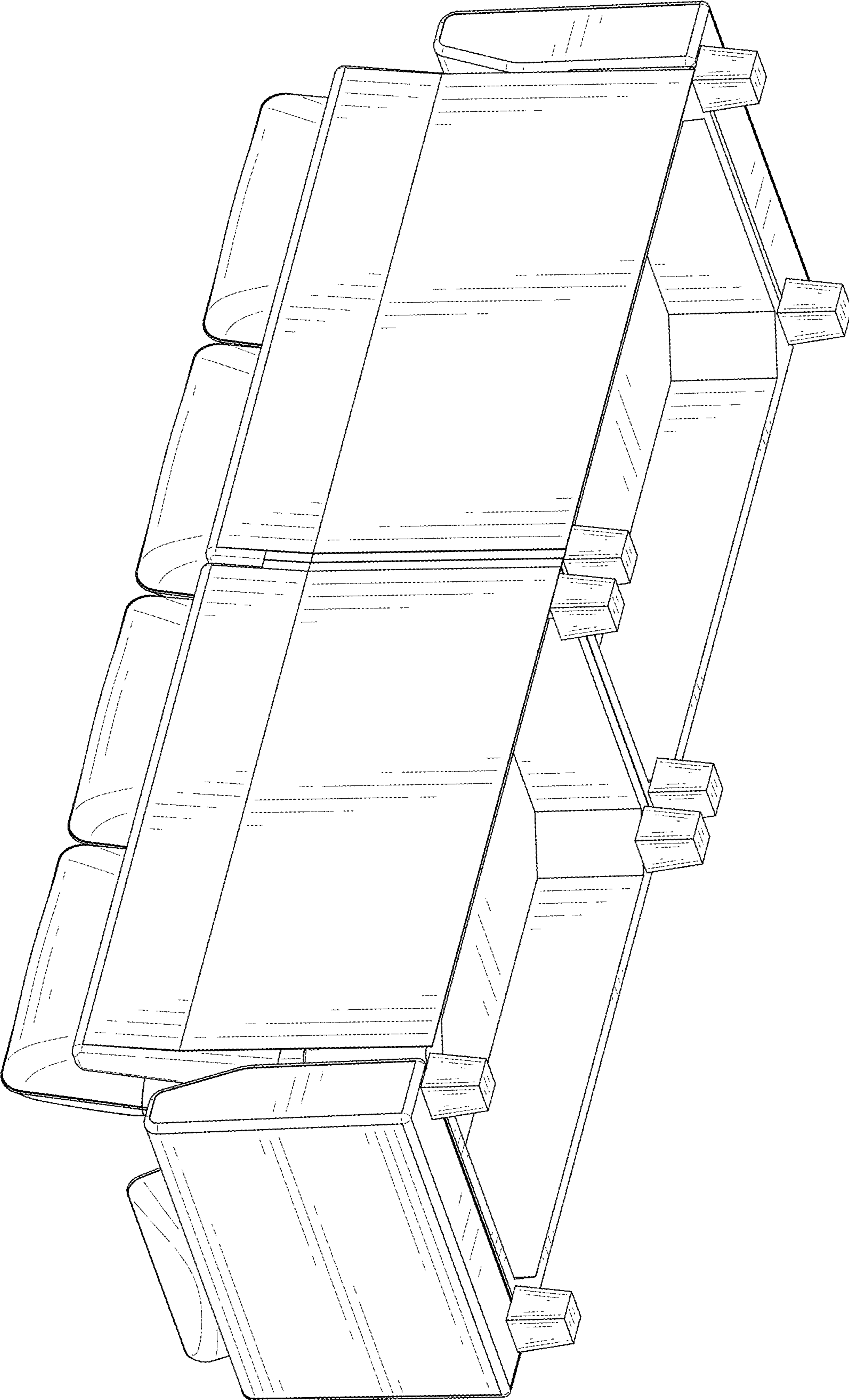


FIG. 2

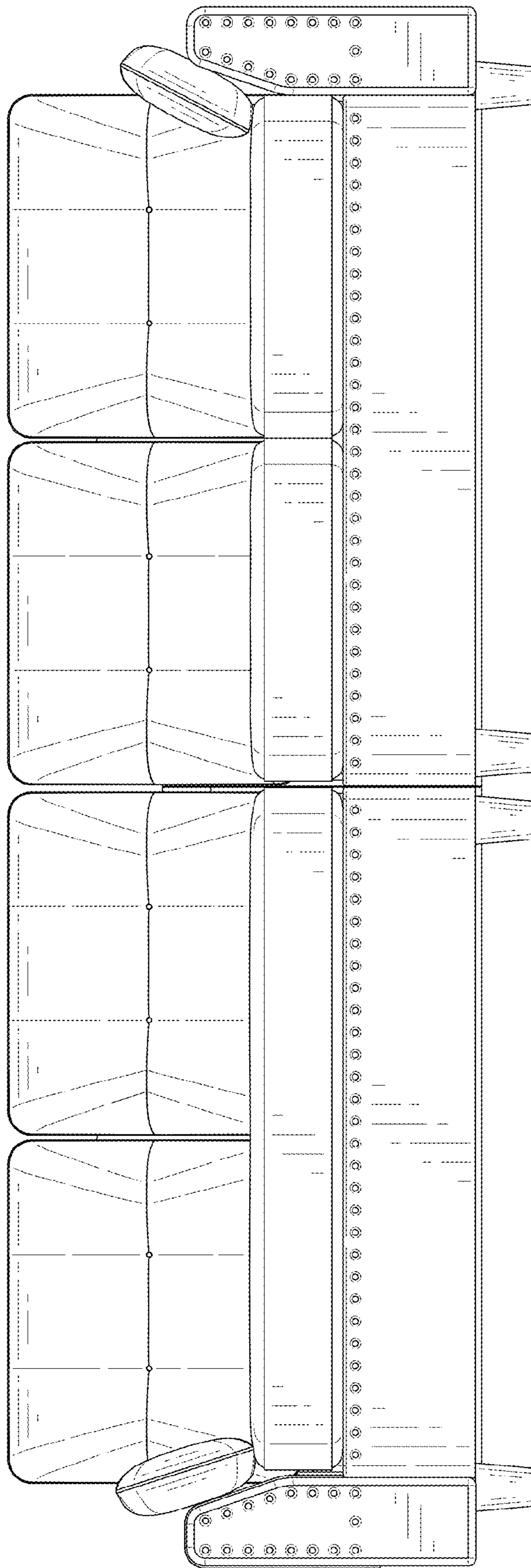


FIG. 3

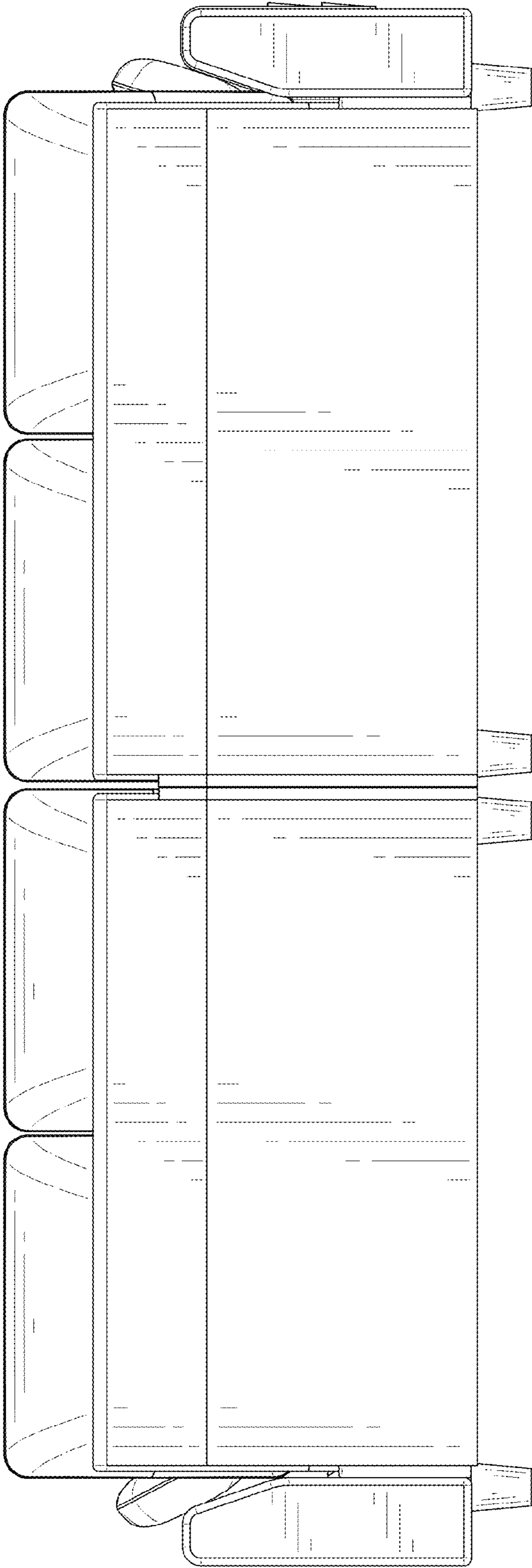


FIG. 4

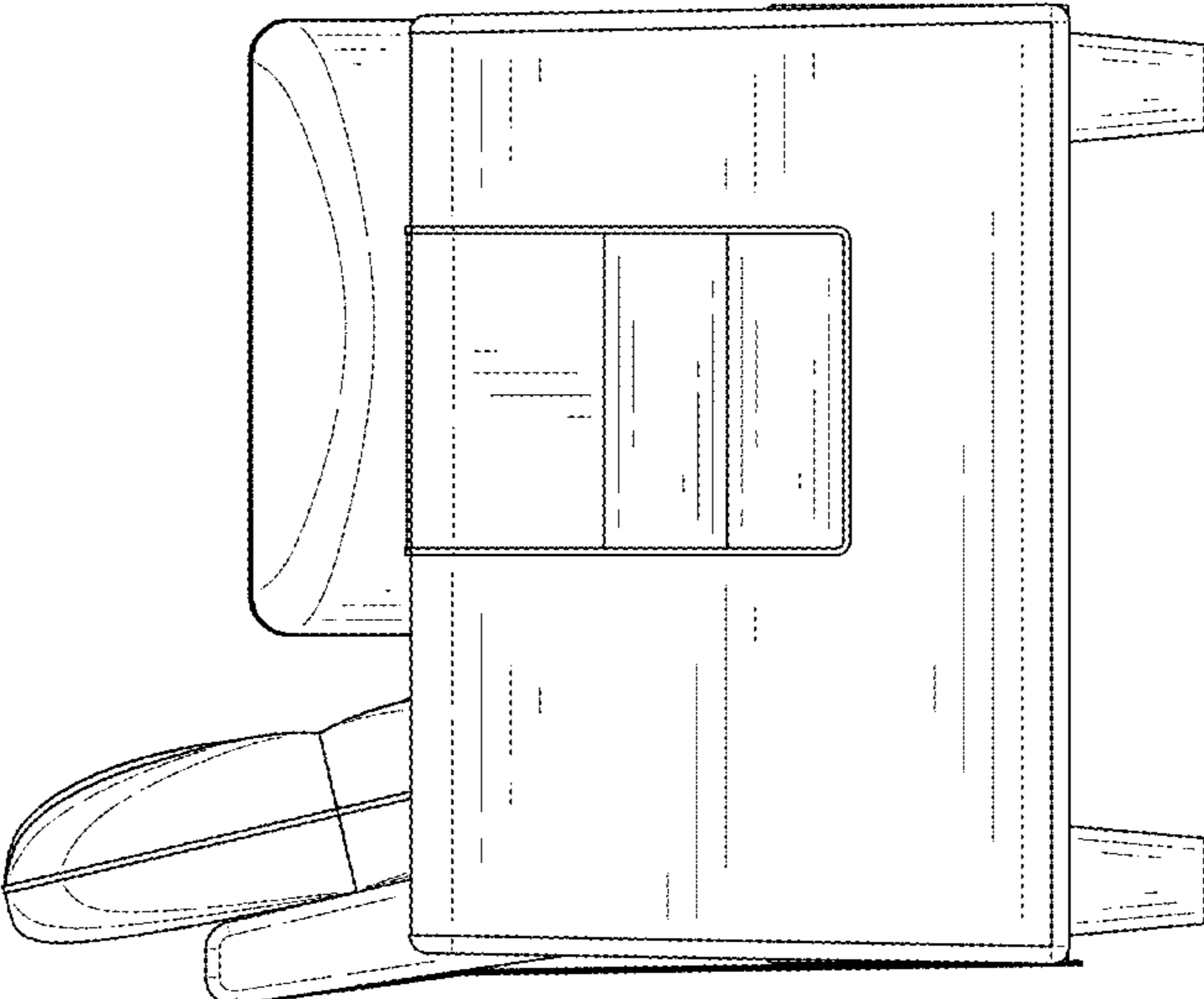


FIG. 5

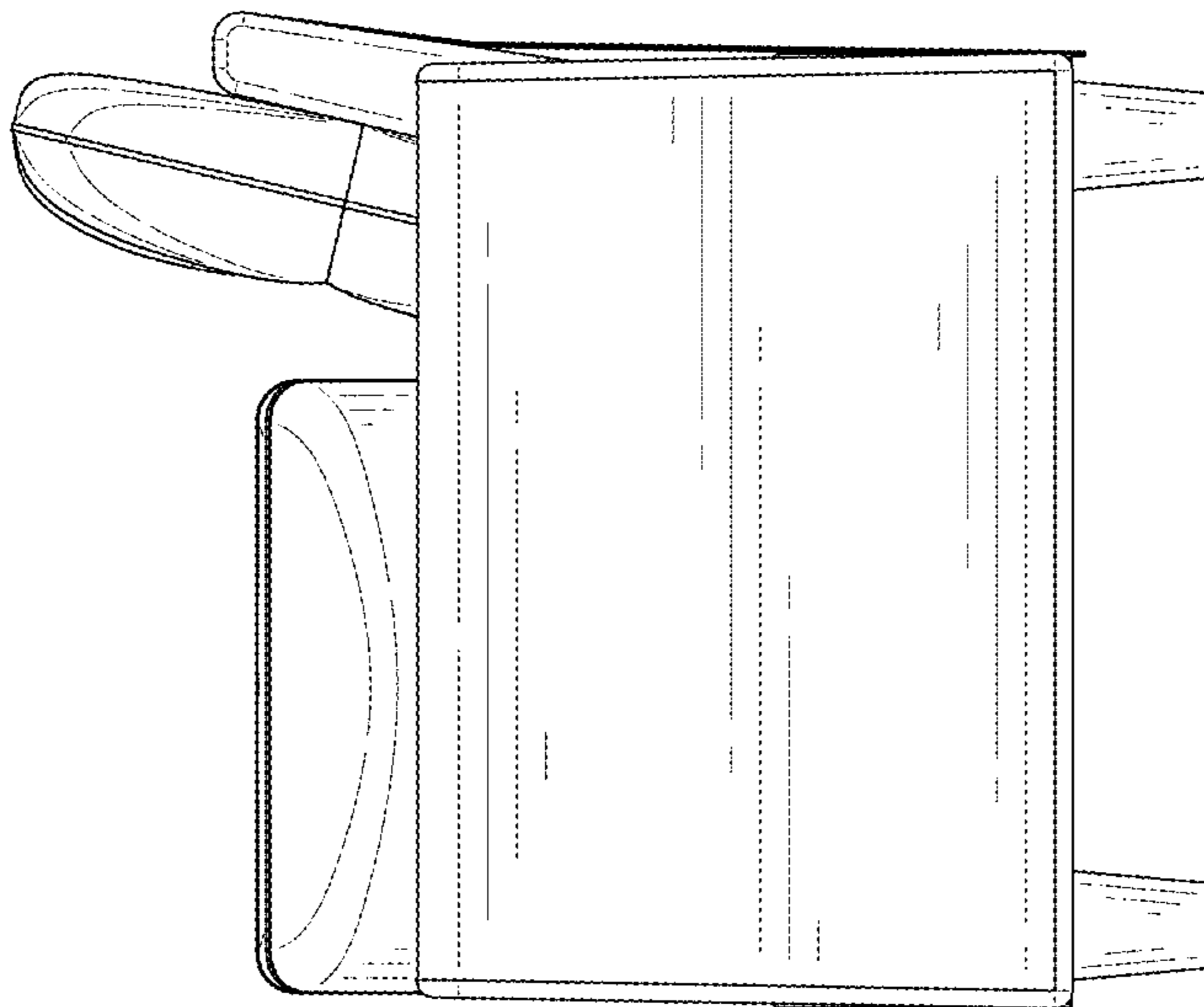


FIG. 6

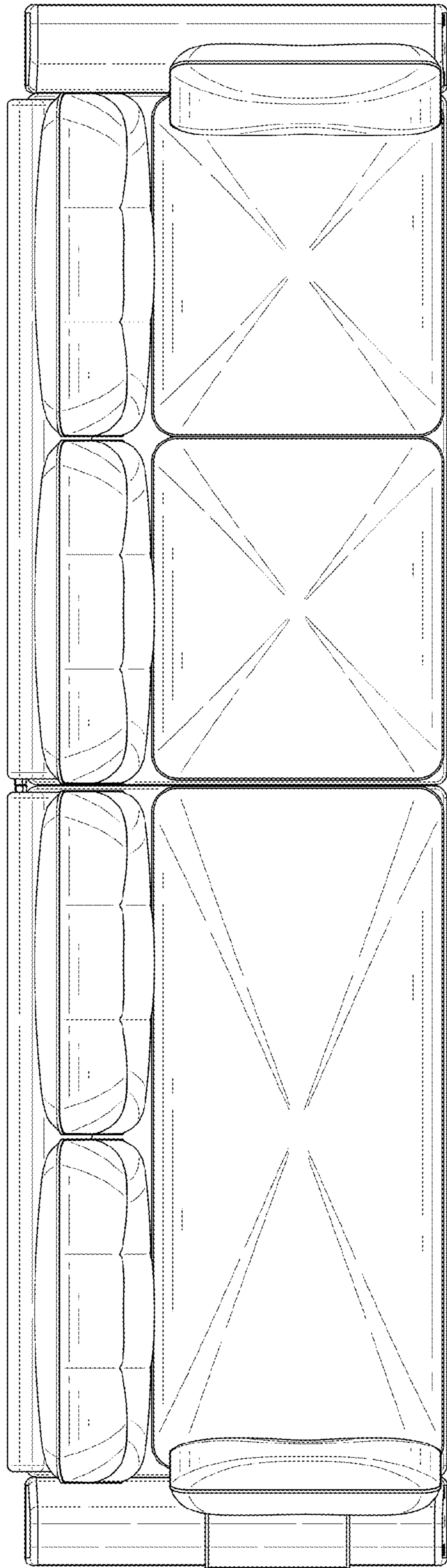


FIG. 7

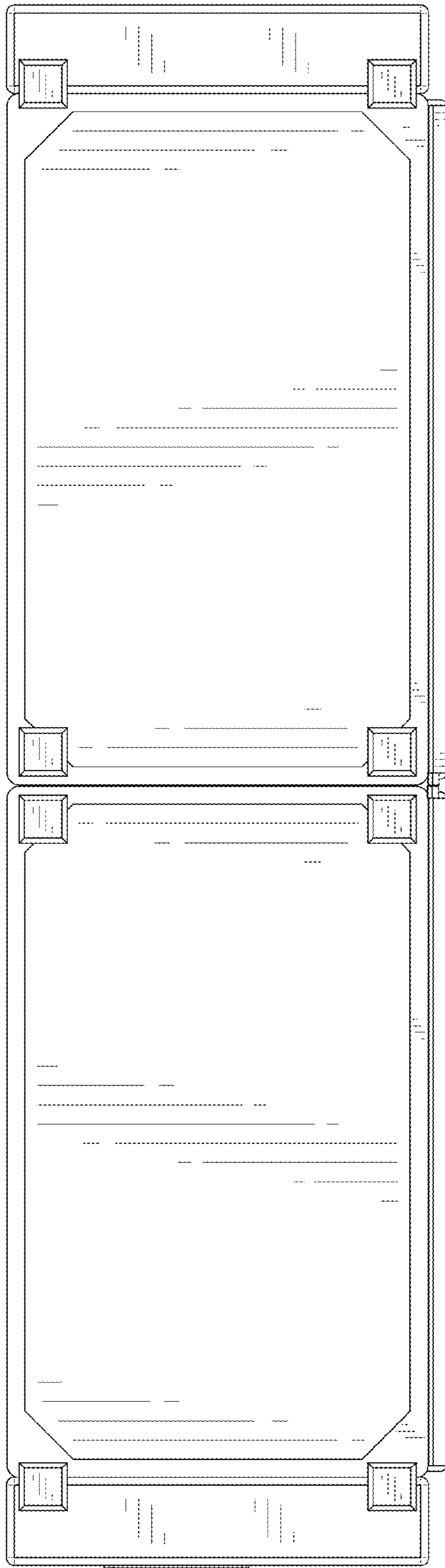


FIG. 8

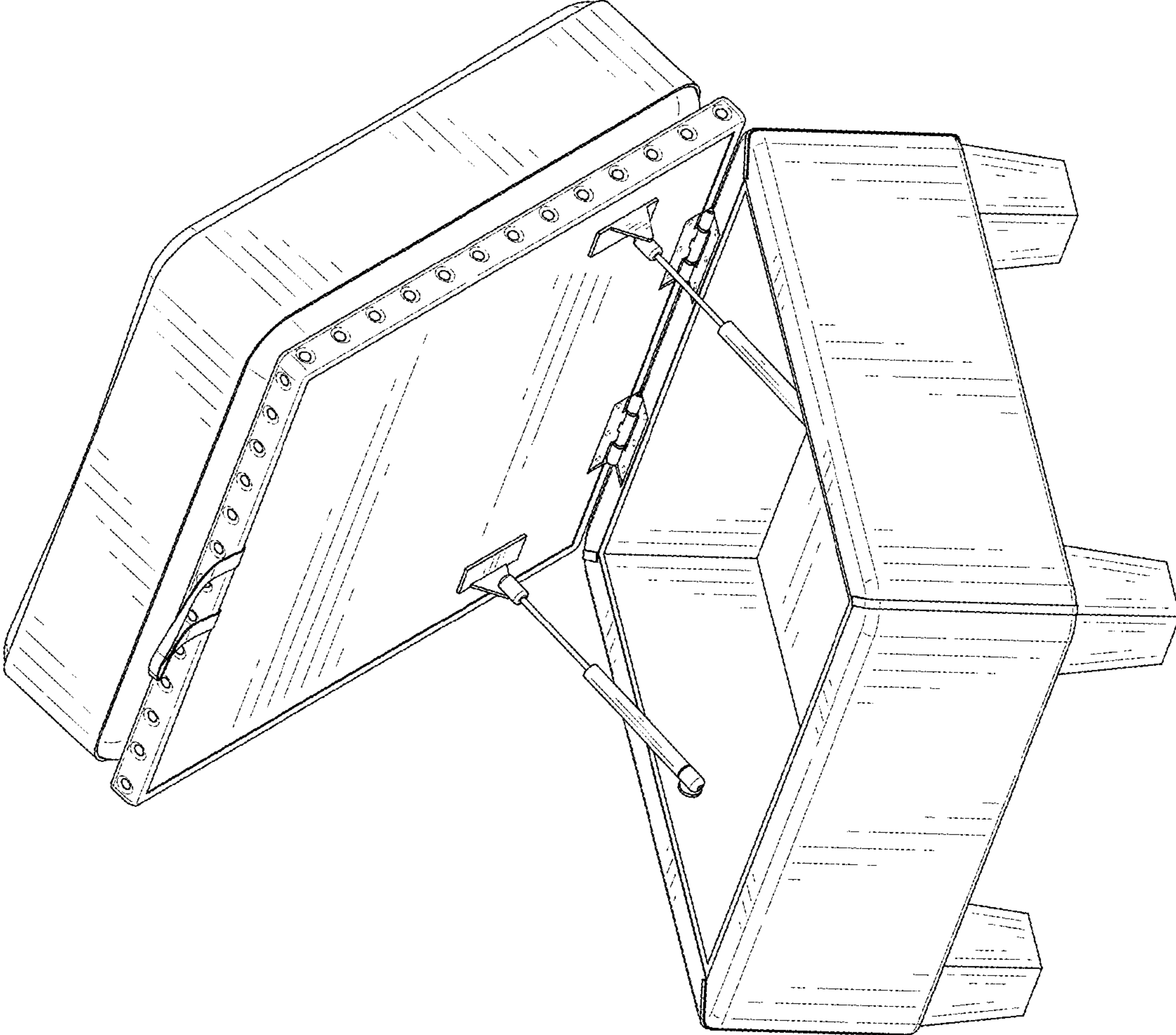


FIG. 9

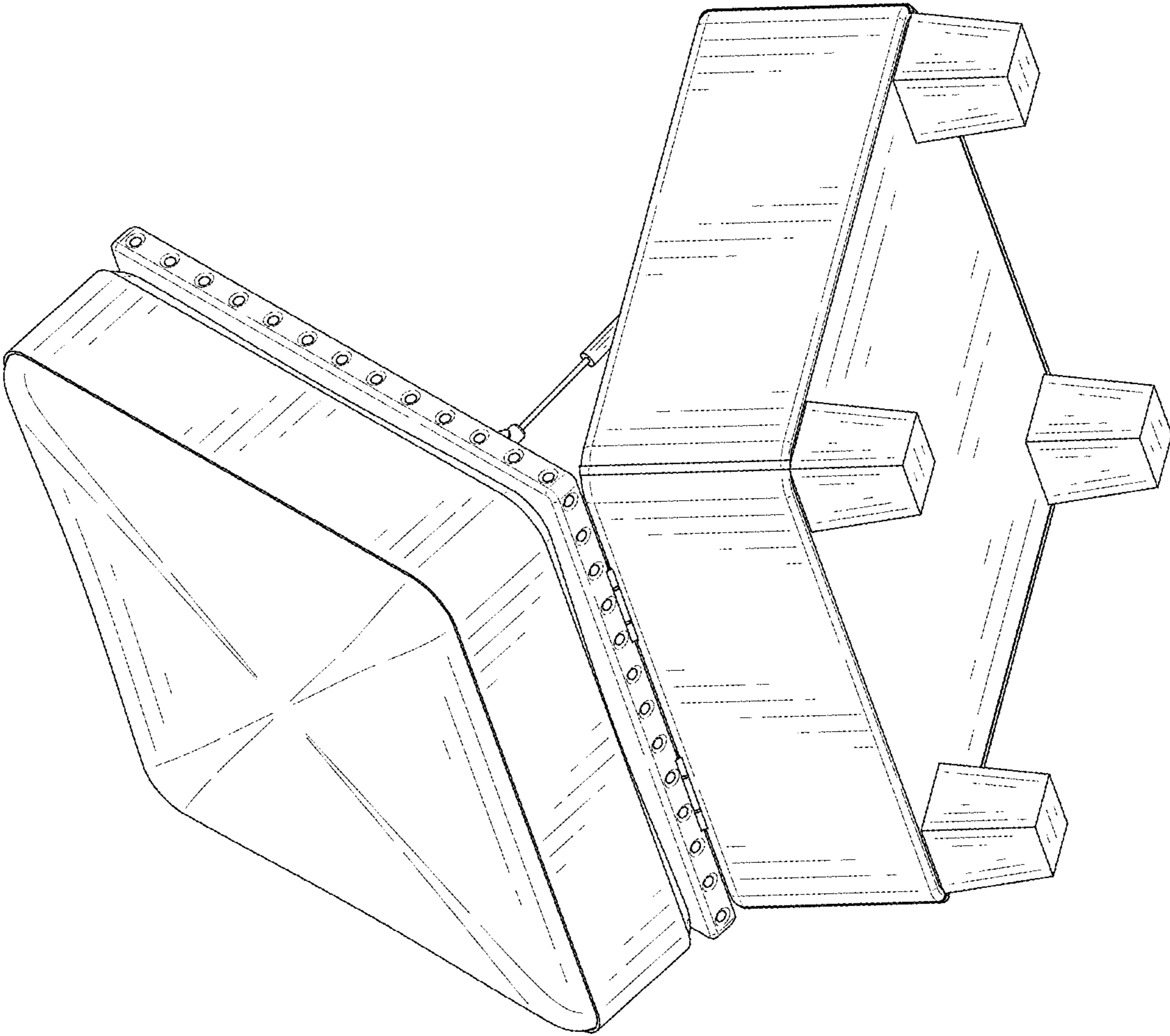


FIG. 10

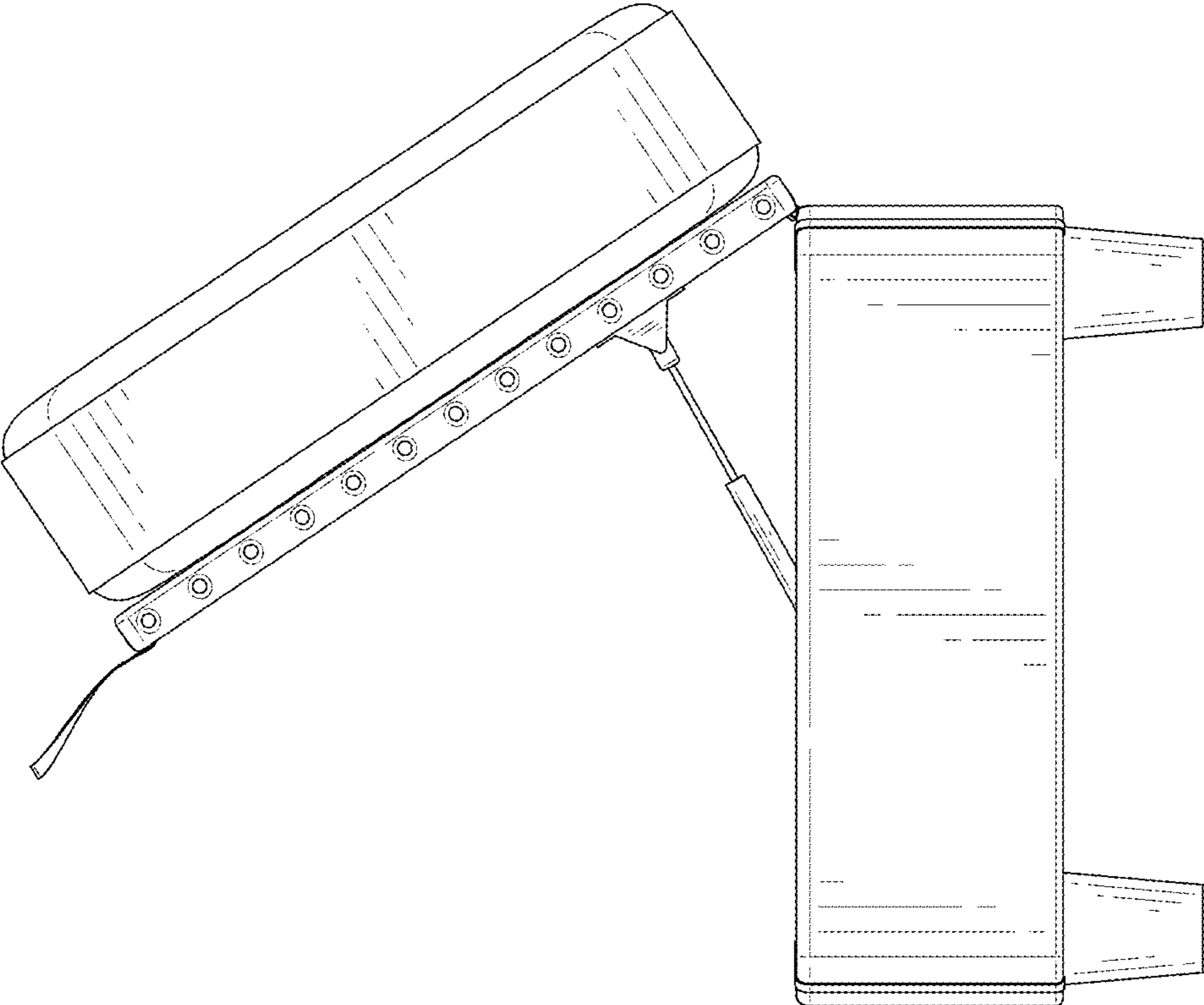


FIG. 11

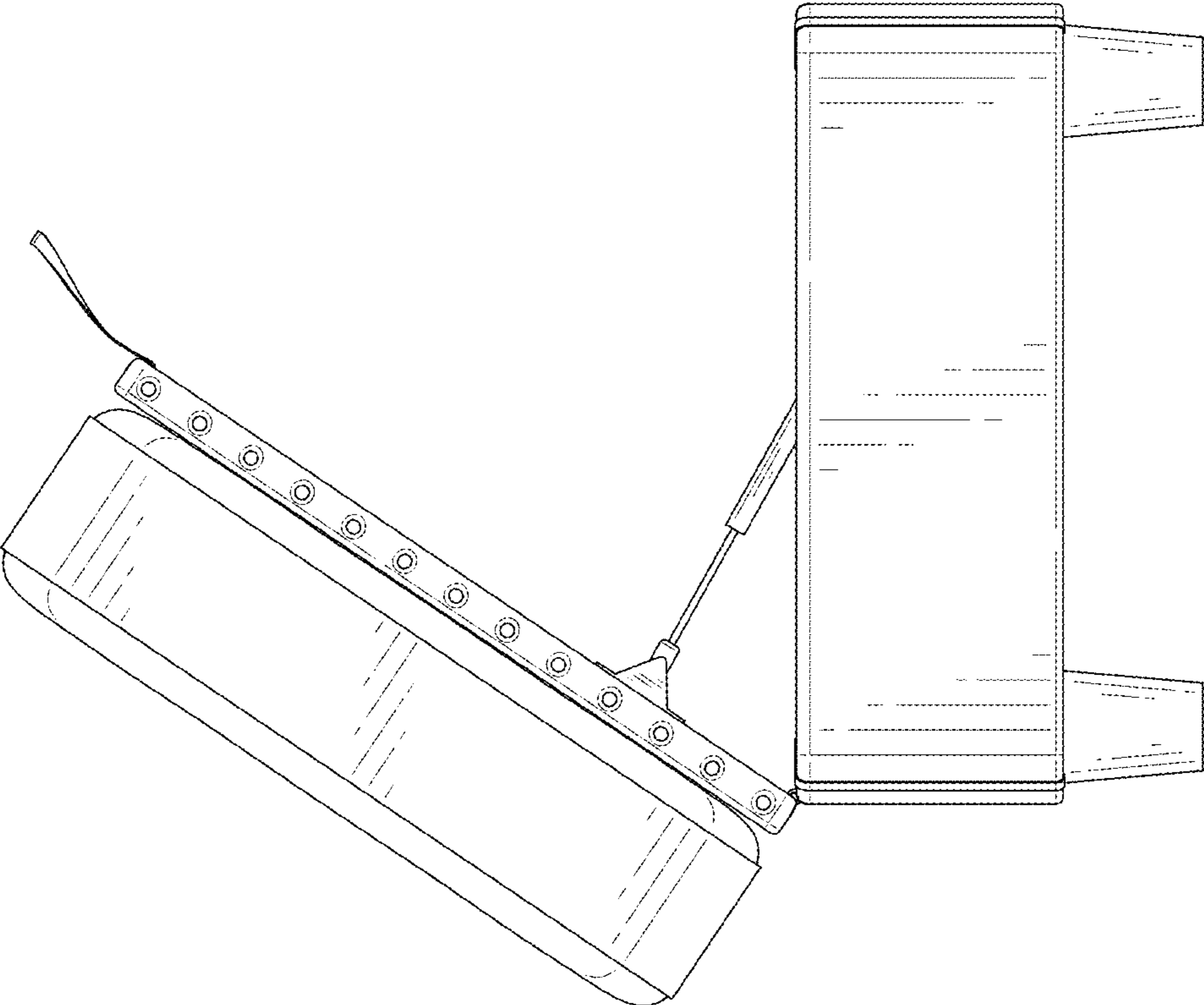


FIG. 12

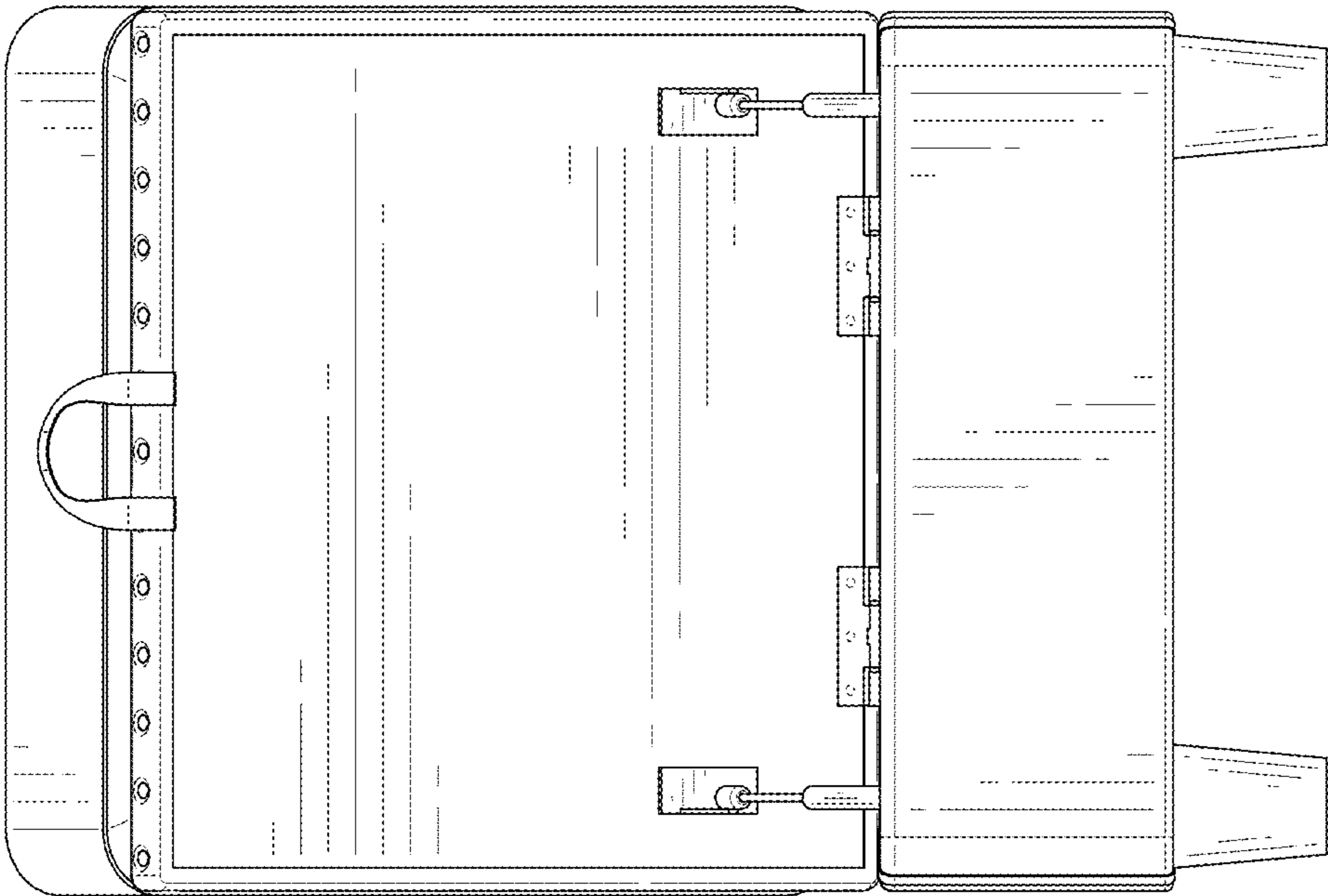


FIG. 13

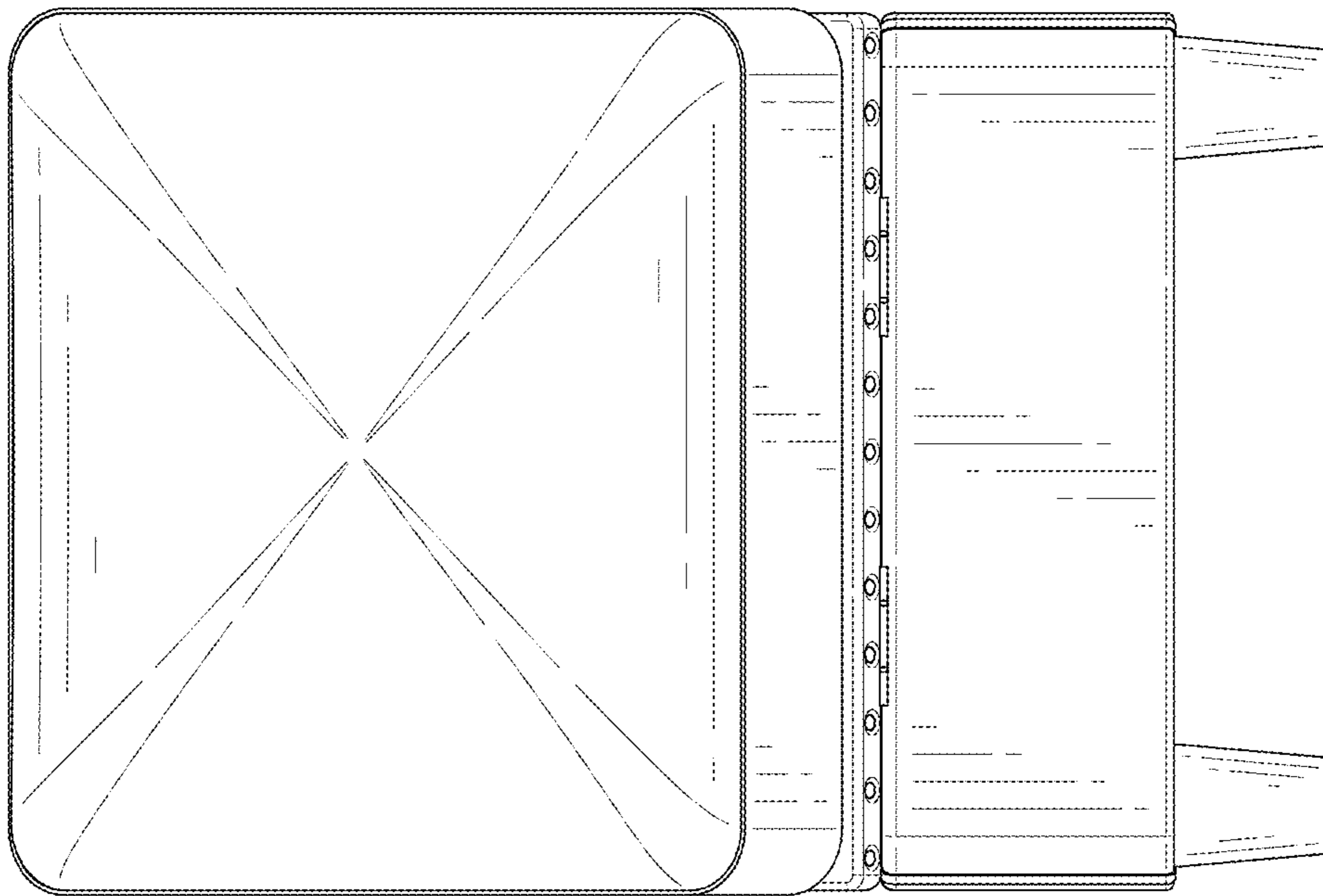


FIG. 14

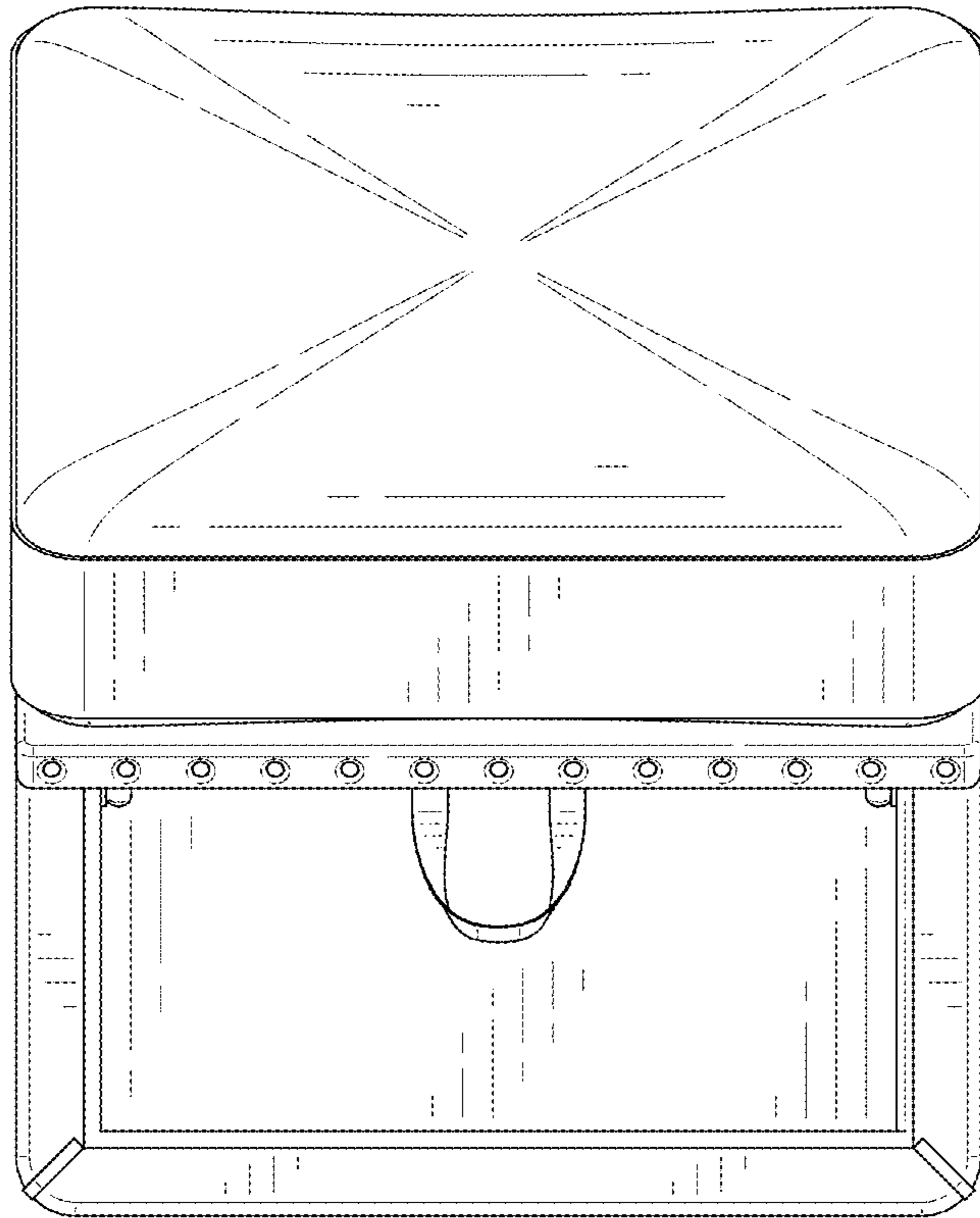


FIG. 15

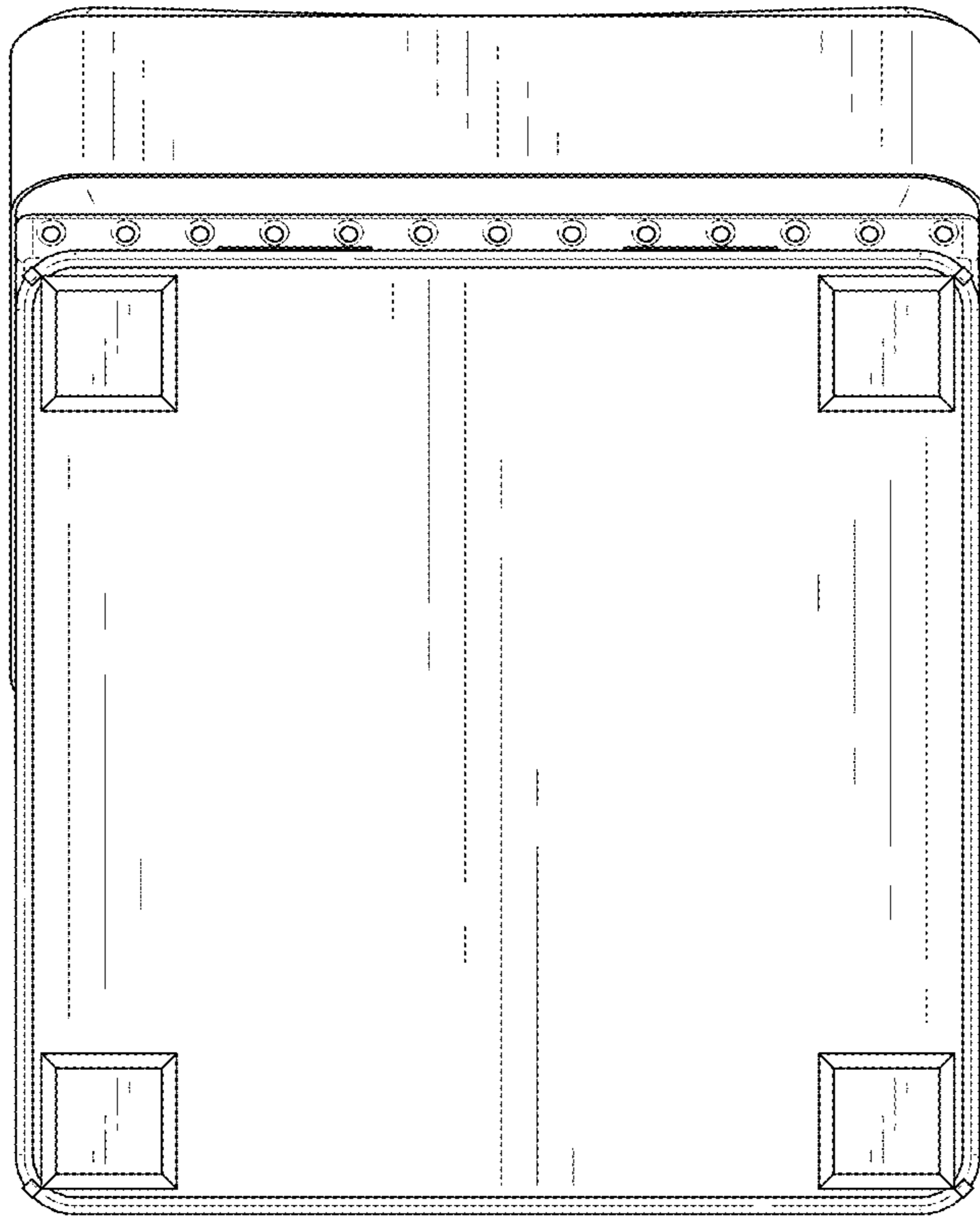


FIG. 16

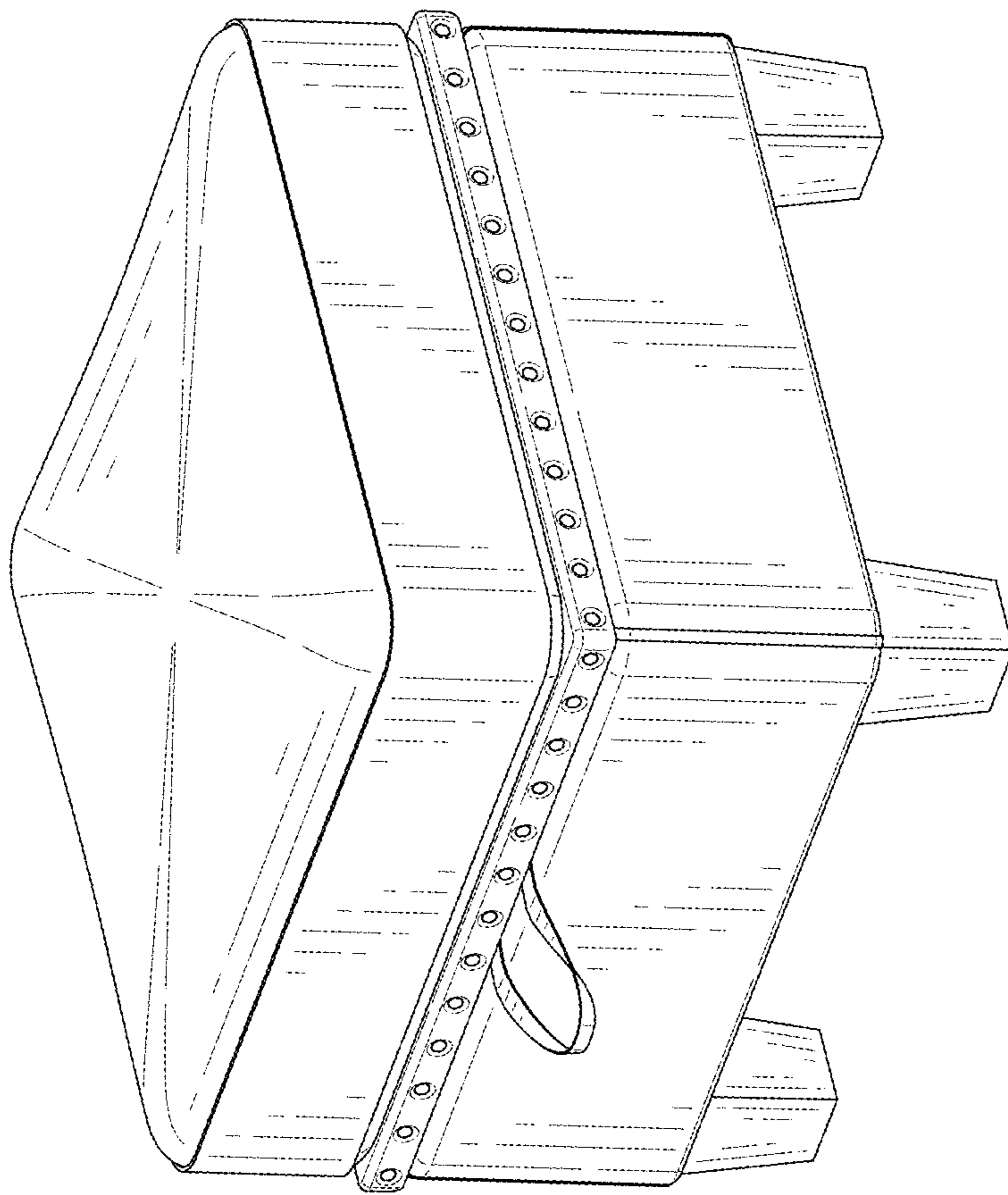


FIG. 17

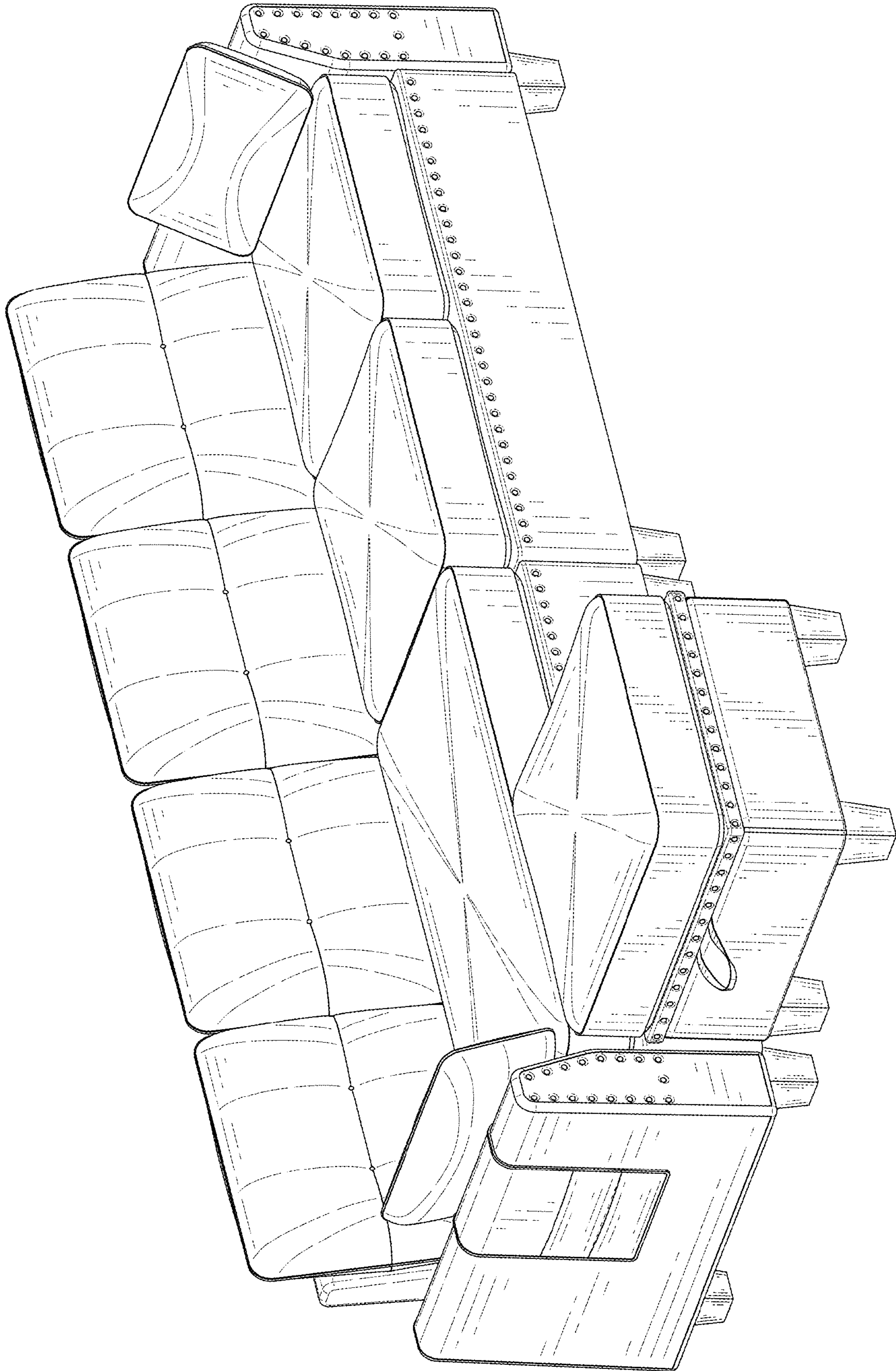


FIG. 18

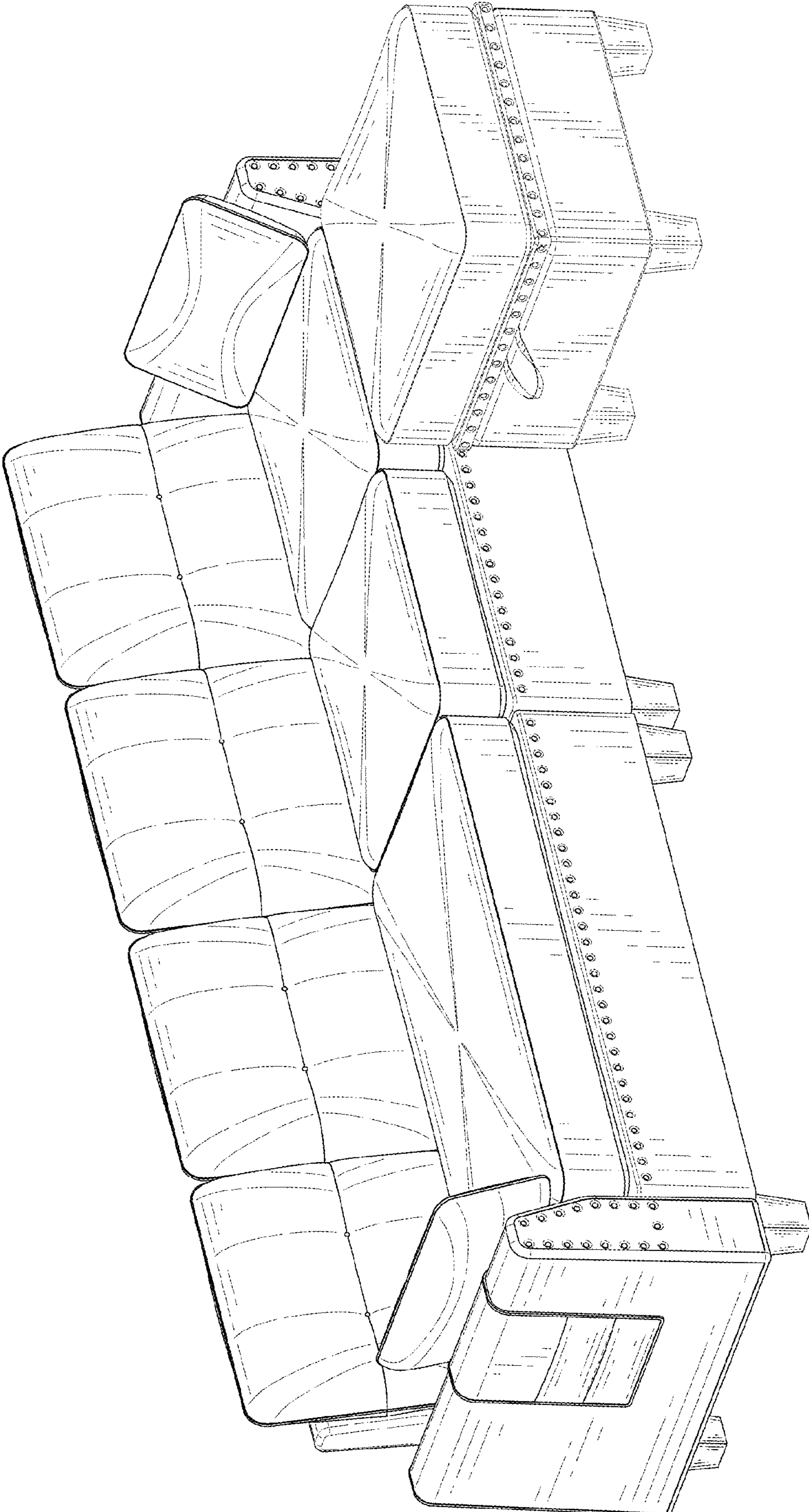


FIG. 19

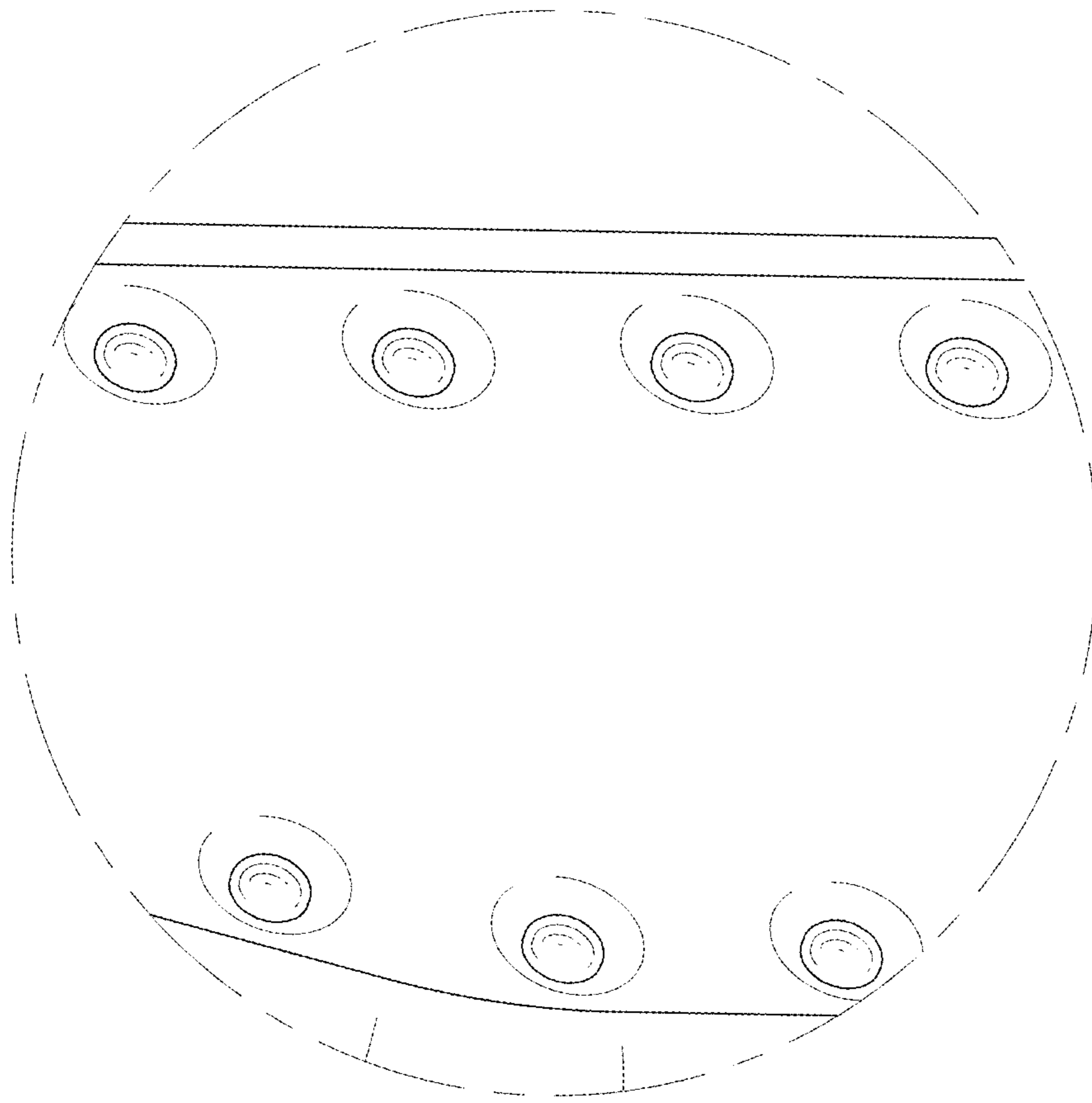


FIG. 20