



US00D893214S

(12) **United States Design Patent** (10) **Patent No.:** **US D893,214 S**
Swy (45) **Date of Patent:** **** Aug. 18, 2020**

(54) **CHAIR**

A47C 7/50; A47C 9/00; A47C 9/007;
A47D 1/00; A01M 31/02; Y10S 297/02

(71) Applicant: **Michigan Tube Swagers & Fabricators, Inc.**, Temperance, MI (US)

See application file for complete search history.

(72) Inventor: **Joshua Paul Swy**, Temperance, MI (US)

(56) **References Cited**

(73) Assignee: **Michigan Tube Swagers & Fabricators, Inc.**, Temperance, MI (US)

U.S. PATENT DOCUMENTS

(**) Term: **15 Years**

6,088,877	A *	7/2000	Swy	A47B 91/00
					16/42 R
D560,384	S *	1/2008	Stauber	D6/374
D576,817	S *	9/2008	Sienkowski	D6/360
D588,826	S *	3/2009	Ricchio	D6/360
D593,336	S *	6/2009	Ciani	D6/374
7,571,960	B2 *	8/2009	Williams	A47C 7/00
					297/183.7
D607,659	S *	1/2010	Kubryk	D6/380
D648,566	S *	11/2011	Sienkowski	D6/380
D650,196	S *	12/2011	Swy	D6/374
8,152,235	B2 *	4/2012	McElmurry	A47C 31/023
					248/345.1

(21) Appl. No.: **29/668,899**

(22) Filed: **Nov. 2, 2018**

Related U.S. Application Data

(63) Continuation-in-part of application No. 29/564,380, filed on May 12, 2016, now Pat. No. Des. 846,909.

(Continued)

(51) **LOC (12) Cl.** **06-01**

Primary Examiner — Kevin K Rudzinski

(52) **U.S. Cl.**
USPC **D6/380**

Assistant Examiner — Paul D Bohannon

(74) *Attorney, Agent, or Firm* — Dinsmore & Shohl LLP

(58) **Field of Classification Search**
USPC D6/334, 336, 344, 345, 348, 349, 350, D6/352, 353, 355, 358, 360, 364, 368, D6/369, 370, 371, 373, 375, 379, 380, D6/381, 677, 692.3, 708, 708.16, 716, D6/717; D11/184; D21/521; D23/292
CPC .. A47C 1/12; A47C 1/124; A47C 3/00; A47C 3/04; A47C 3/12; A47C 3/14; A47C 3/16; A47C 3/18; A47C 3/20; A47C 3/34; A47C 4/02; A47C 4/03; A47C 4/38; A47C 4/10; A47C 4/24; A47C 4/045; A47C 4/286; A47C 5/06; A47C 5/04; A47C 5/12; A47C 5/043; A47C 7/00; A47C 7/16; A47C 7/002; A47C 7/445; A47C 7/448; A47C 7/506; A47C 7/52;

(57) **CLAIM**

The ornamental design for a chair, as shown and described.

DESCRIPTION

FIG. 1 is a perspective view of a chair in accordance with the present invention.

FIG. 2 is a front view of the chair of FIG. 1;

FIG. 3 is a rear view of the chair of FIGS. 1-2;

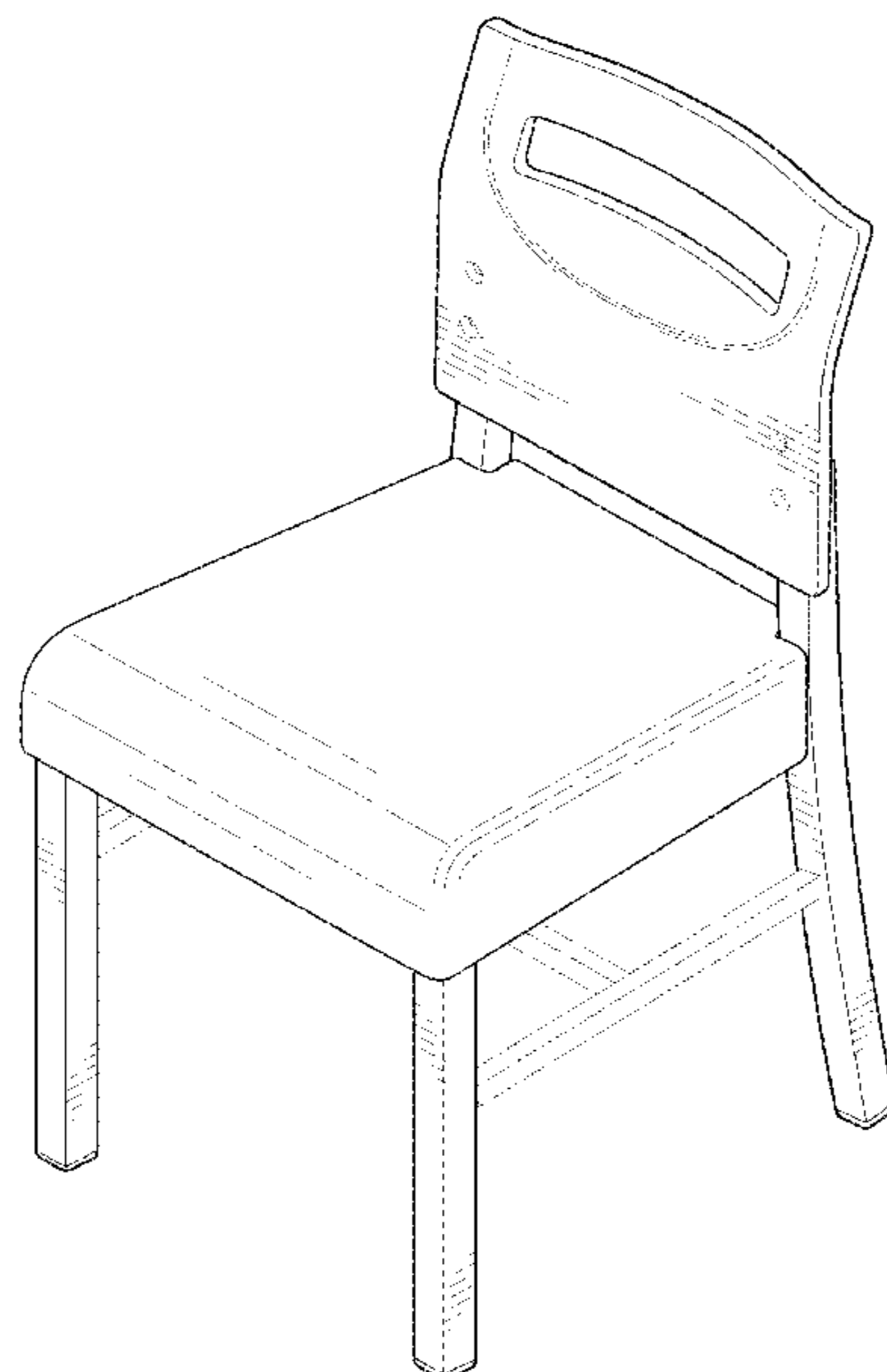
FIG. 4 is a side view of the chair of FIGS. 1-3, the opposite side being a mirror image thereof;

FIG. 5 is a top view of the chair of FIGS. 1-4; and,

FIG. 6 is a bottom view of the chair of FIGS. 1-5.

The broken lines shown in the Figures are for environmental purposes only and form no part of the claimed design.

1 Claim, 6 Drawing Sheets



(56)

References Cited

U.S. PATENT DOCUMENTS

D673,788 S *	1/2013	Schoenhals	D6/380
D815,450 S *	4/2018	Novak	D6/374
D846,909 S *	4/2019	Swy	D6/380
D863,805 S *	10/2019	Jones	D6/374
D866,212 S *	11/2019	Morrison	D6/374

* cited by examiner

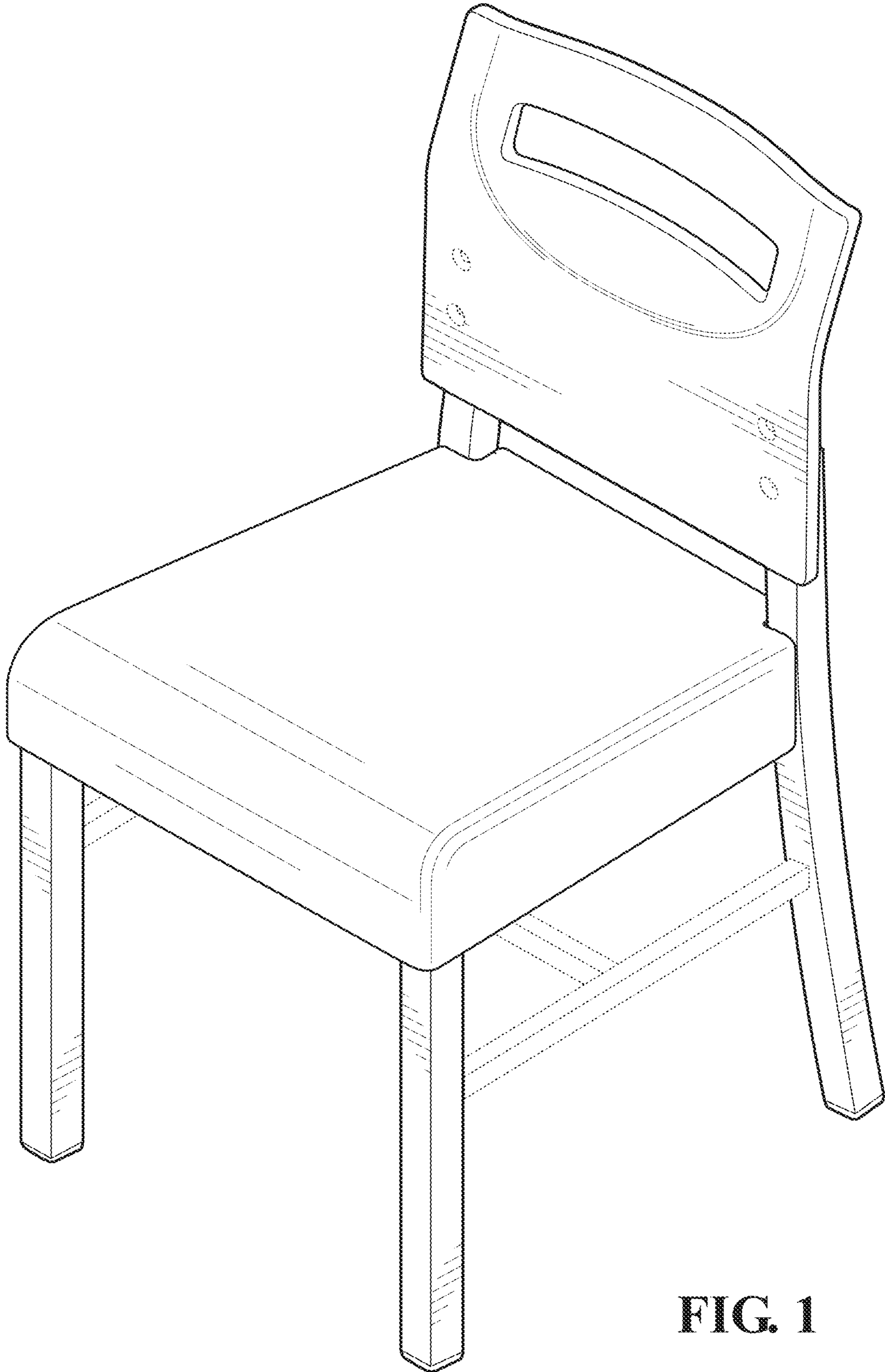


FIG. 1

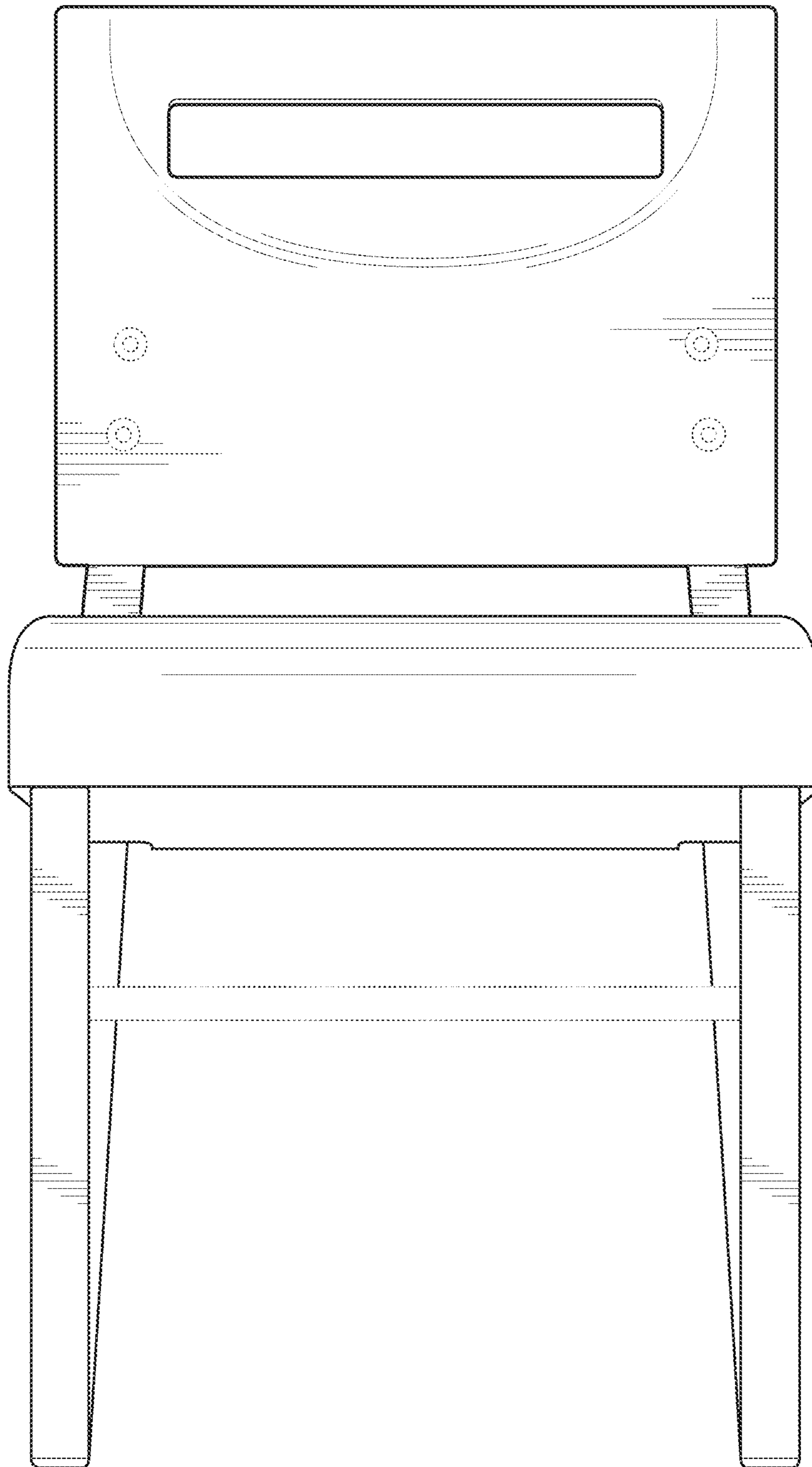


FIG. 2

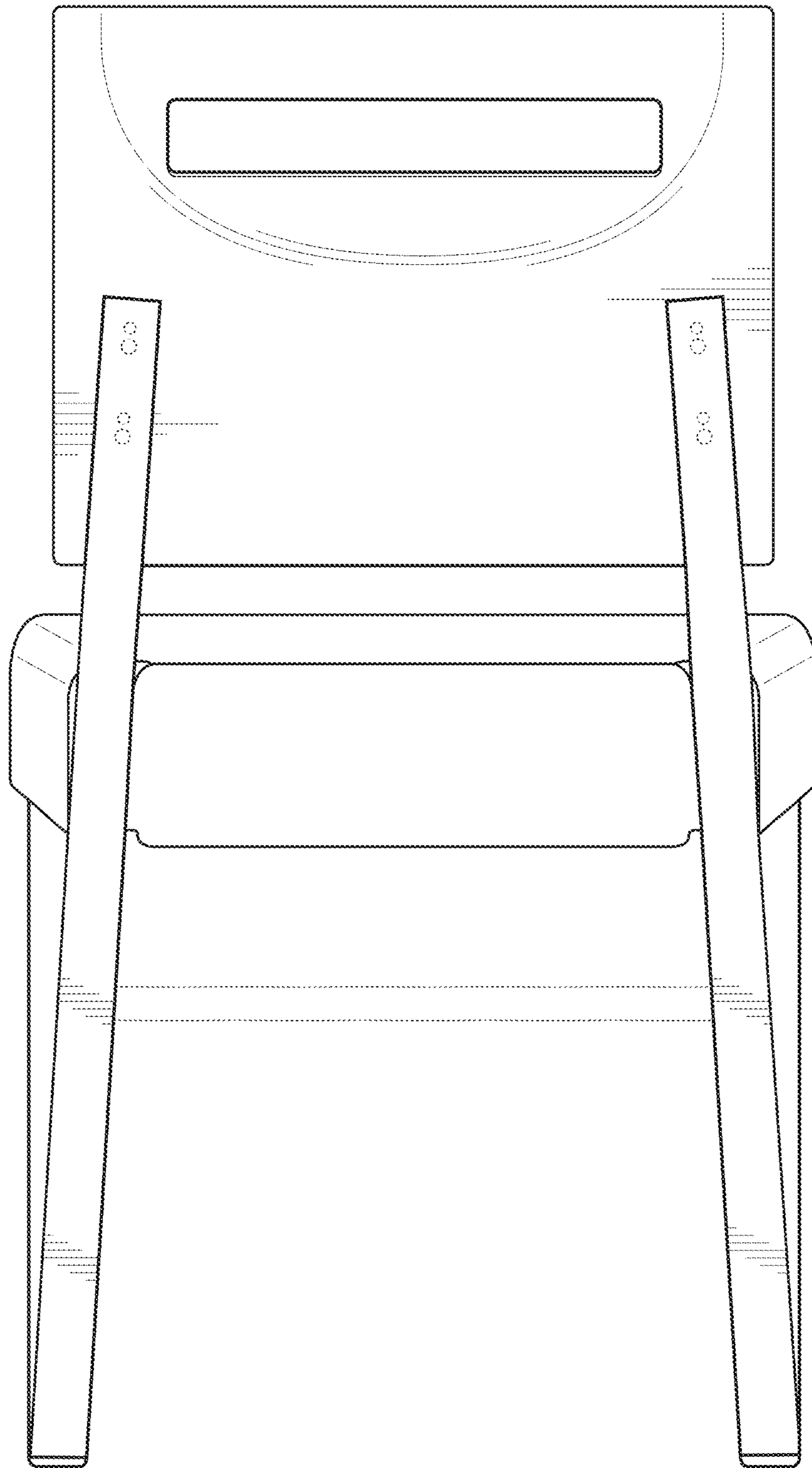


FIG. 3

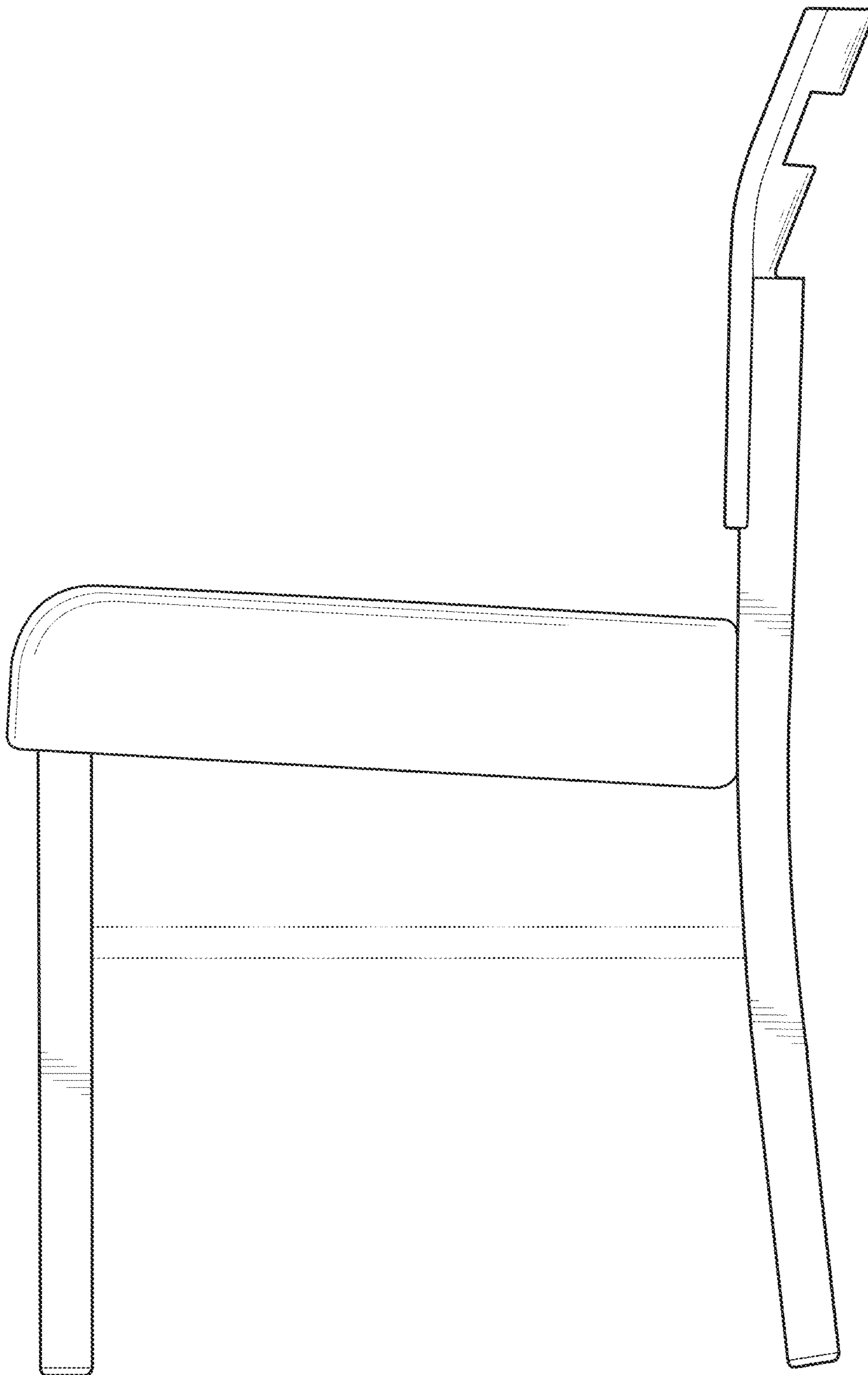


FIG. 4

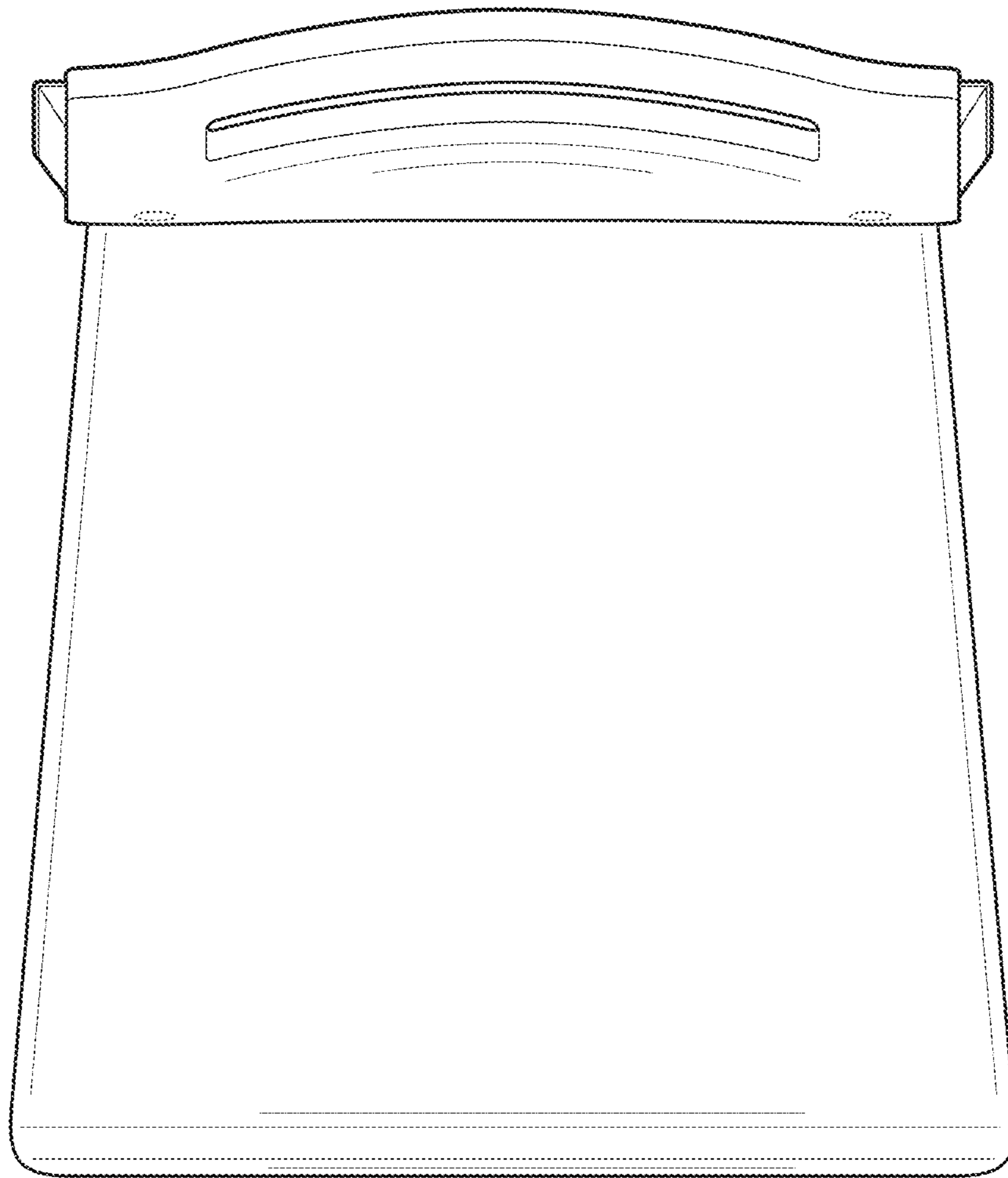


FIG. 5

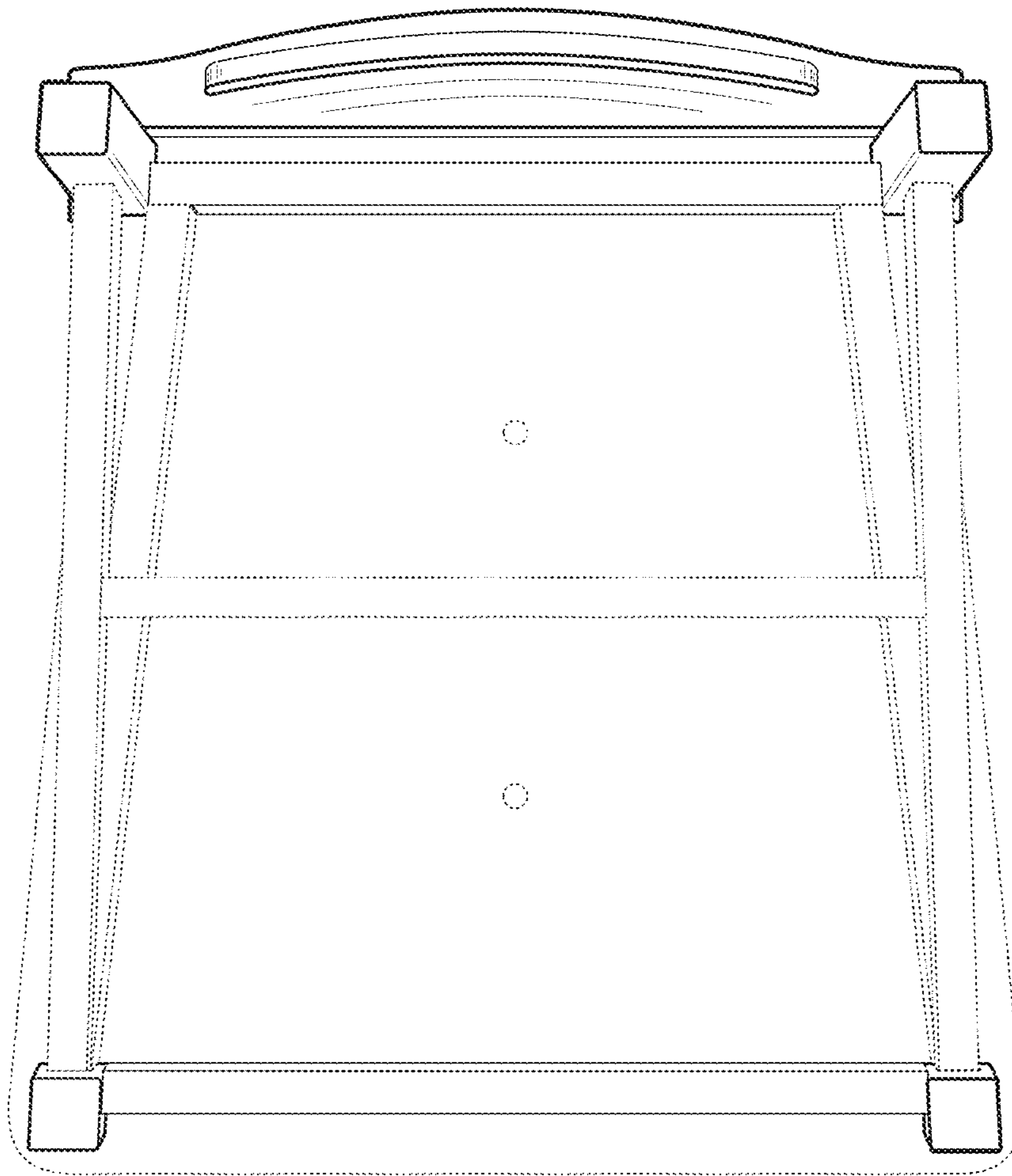


FIG. 6